



US00D863714S

(12) **United States Design Patent**  
**Totman et al.**

(10) **Patent No.:** **US D863,714 S**

(45) **Date of Patent:** **\*\* Oct. 15, 2019**

(54) **DIGITAL PIGGY BANK**

(71) Applicant: **Capital One Services, LLC**, McLean, VA (US)

(72) Inventors: **Scott V. Totman**, Vienna, VA (US);  
**James Kresge**, McLean, VA (US)

(73) Assignee: **Capital One Services, LLC**, McLean, VA (US)

(\*\*) Term: **15 Years**

(21) Appl. No.: **29/623,887**

(22) Filed: **Oct. 27, 2017**

(51) **LOC (12) Cl.** ..... **99-00**

(52) **U.S. Cl.**  
USPC ..... **D99/40**

(58) **Field of Classification Search**

USPC ..... D99/28, 34, 35, 36, 37, 38, 40, 43, 99;  
D21/324, 654; D9/601, 607; D11/131,  
D11/157, 158; D10/1, 2, 6, 7, 15  
CPC . A45C 1/12; A45C 2001/006; A45C 2001/10;  
A45C 2001/02; A45C 2001/104; A45C  
2001/105; A45C 2001/107; A45C  
2001/12; A45C 2001/125; E05G 1/00;  
E05G 1/005; E05G 1/024; E05G 5/00;  
E05G 7/001; E05G 2700/00; E05G  
2700/02; A63F 2250/13; A63F 2250/133;  
A63F 2250/136; A63H 3/00; A63H  
23/10; A63H 3/06; G07F 9/06; G07F  
9/08; G07F 9/04; G07D 11/00; G07D  
11/0009; G07D 11/0021; G07D 9/00;  
G07D 9/002; G07D 9/004; G07D 9/02;  
G07D 9/06

See application file for complete search history.

(56) **References Cited**

U.S. PATENT DOCUMENTS

2,304,415 A \* 12/1942 Lawson, Sr. .... G07F 17/105  
446/188  
D135,267 S \* 3/1943 Lamb ..... D21/654

D139,366 S \* 11/1944 Ayers ..... D99/40  
D145,668 S \* 10/1946 Kearney ..... D27/188  
D150,896 S \* 9/1948 Stovner ..... 428/16  
D153,775 S \* 5/1949 Dubiner ..... D99/40  
D169,309 S \* 4/1953 Fuller ..... 232/4 R  
D176,104 S \* 11/1955 Brooks ..... D99/40  
2,779,128 A \* 1/1957 West ..... A45C 1/12  
232/4 R  
2,804,718 A \* 9/1957 Follis ..... A45C 1/12  
232/4 R  
D193,996 S \* 11/1962 Craighead ..... D99/40  
D196,023 S \* 8/1963 Rothgart ..... D21/654  
D216,139 S \* 11/1969 Tavela ..... D21/576  
D221,006 S \* 6/1971 Tavela ..... D21/654  
D267,283 S \* 12/1982 Nagode ..... D99/40  
D291,939 S \* 9/1987 Bennett ..... D21/654

(Continued)

*Primary Examiner* — Elizabeth J Oswecki

(74) *Attorney, Agent, or Firm* — Finnegan, Henderson,  
Farabow, Garrett & Dunner, LLP

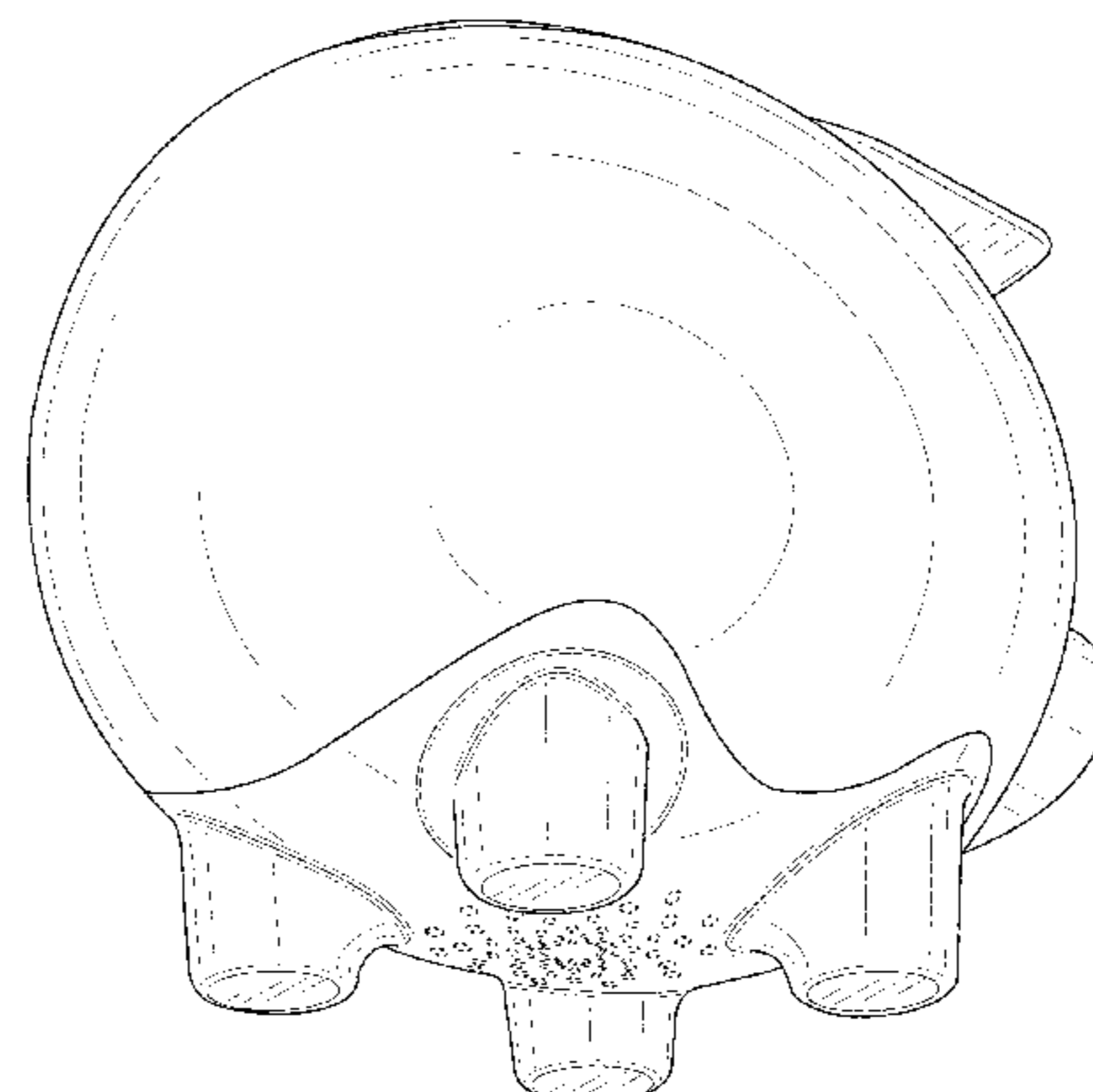
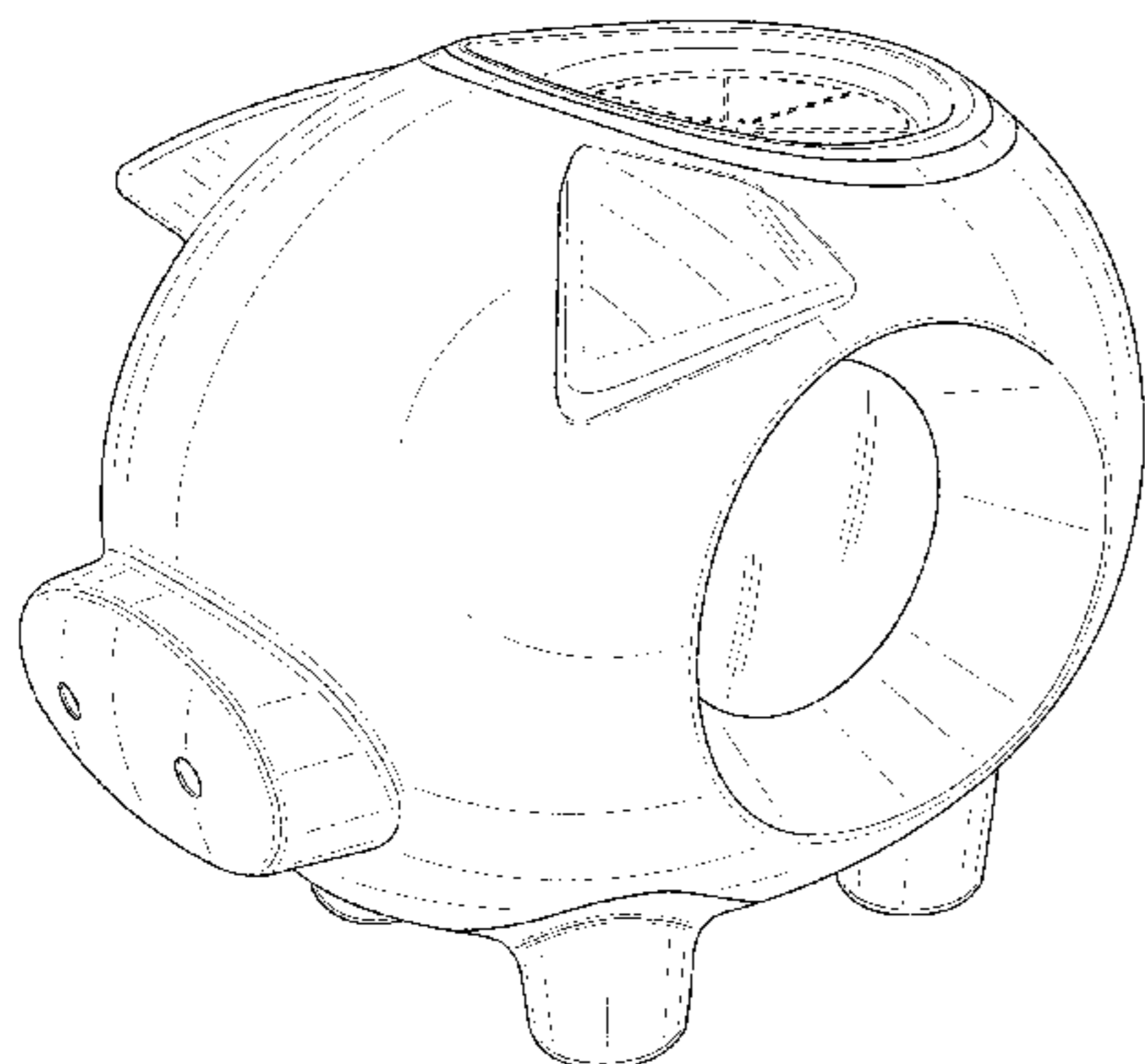
(57) **CLAIM**

The ornamental design for a digital piggy bank, as shown and described.

**DESCRIPTION**

FIG. 1 is a front, top, right side perspective view of a digital piggy bank showing our new design;  
FIG. 2 is a rear, bottom, left side perspective view thereof;  
FIG. 3 is a front elevation view thereof;  
FIG. 4 is a rear elevation view thereof;  
FIG. 5 is a top plan view thereof;  
FIG. 6 is a bottom plan view thereof;  
FIG. 7 is a right side view thereof; and,  
FIG. 8 is a left side view thereof.  
The broken lines shown in the drawings illustrate portions of the digital piggy bank that form no part of the claimed design.

**1 Claim, 8 Drawing Sheets**



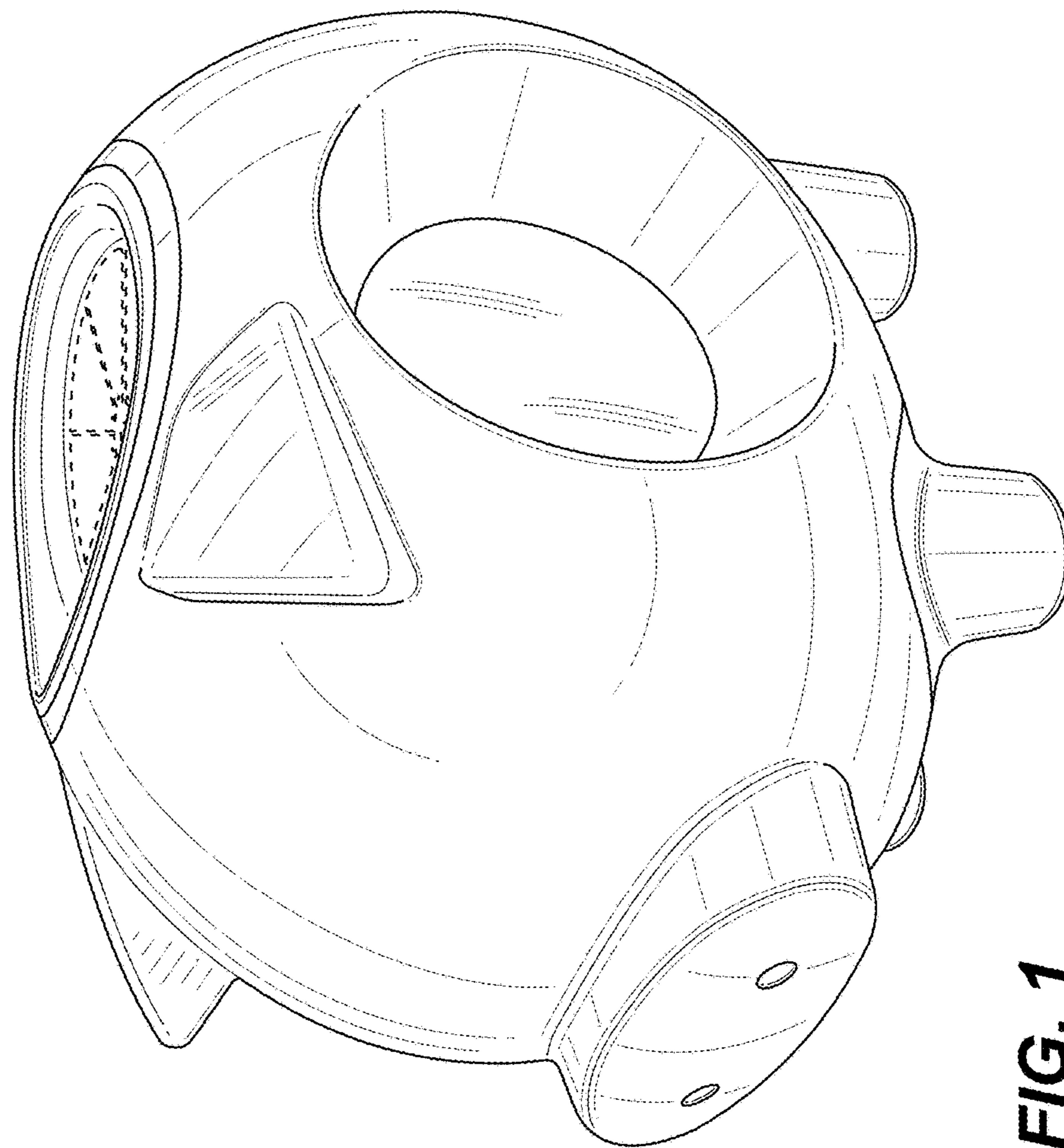
(56)

**References Cited**

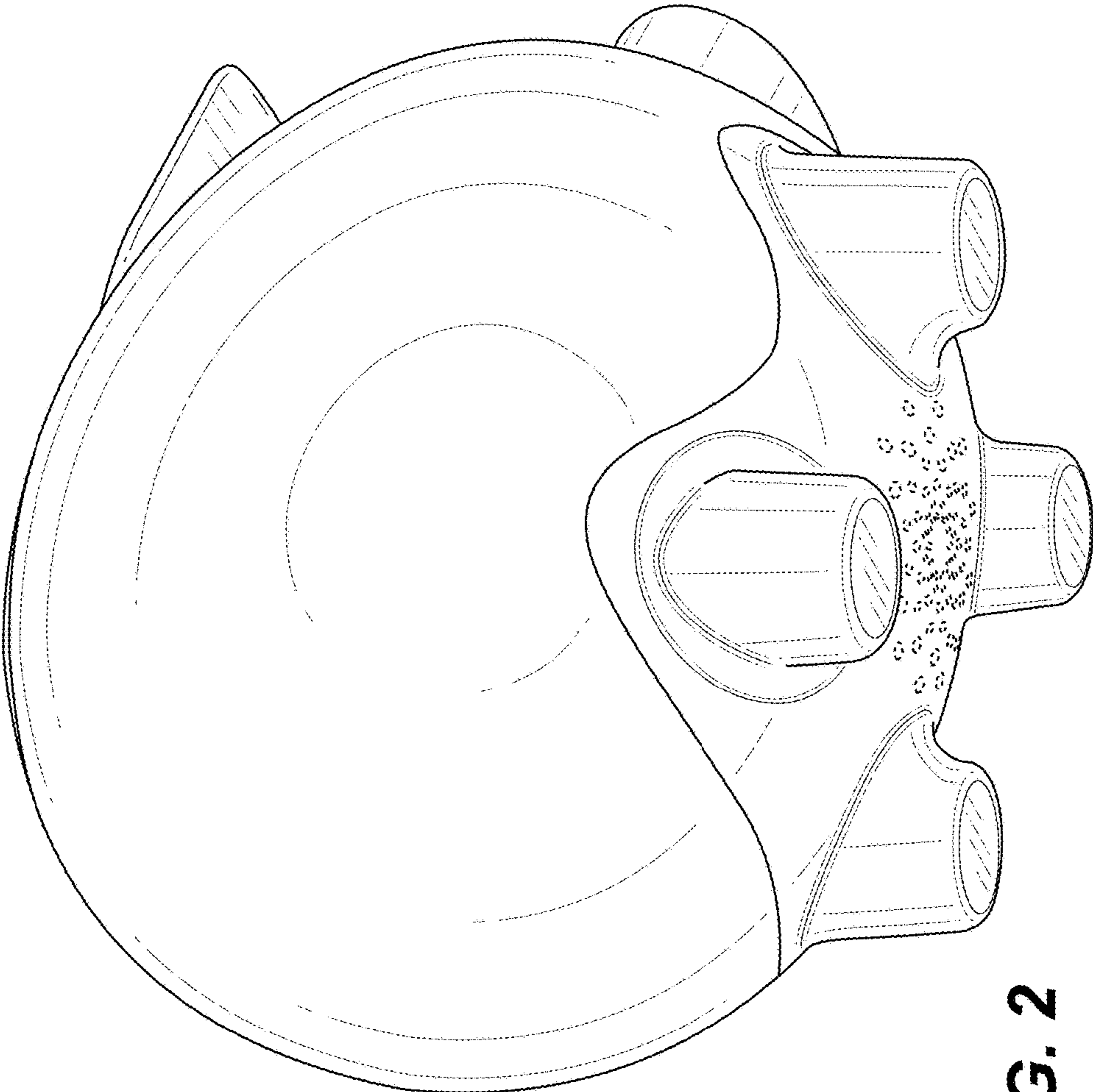
U.S. PATENT DOCUMENTS

D303,035	S *	8/1989	O'Dunlaing .....	D99/40
5,135,434	A *	8/1992	Mallon .....	A45C 1/12
				194/334
6,039,213	A *	3/2000	Sloan .....	B65D 47/243
				222/192
D458,727	S *	6/2002	Beacham .....	D99/38
D512,805	S *	12/2005	Anderson .....	D99/38
6,976,619	B2 *	12/2005	Beacham .....	A45C 1/12
				109/53
D548,331	S *	8/2007	Tseng .....	D24/110
D549,925	S *	8/2007	Gossett .....	D99/40
D565,274	S *	3/2008	Pickering .....	D21/654
D565,275	S *	3/2008	Shields .....	D99/34
7,383,980	B1 *	6/2008	Beacham .....	A45C 1/12
				109/53
D579,175	S *	10/2008	Pickering .....	D21/654
D592,624	S *	5/2009	Chen .....	D14/129
D616,526	S *	5/2010	Ryan .....	D21/654
D629,175	S *	12/2010	McMaster .....	D21/654
D631,785	S *	2/2011	Palmer .....	D11/158
D643,995	S *	8/2011	McMaster .....	D21/654
D655,794	S *	3/2012	Hall .....	D11/158
D789,023	S *	6/2017	Kawlath .....	D99/40

\* cited by examiner

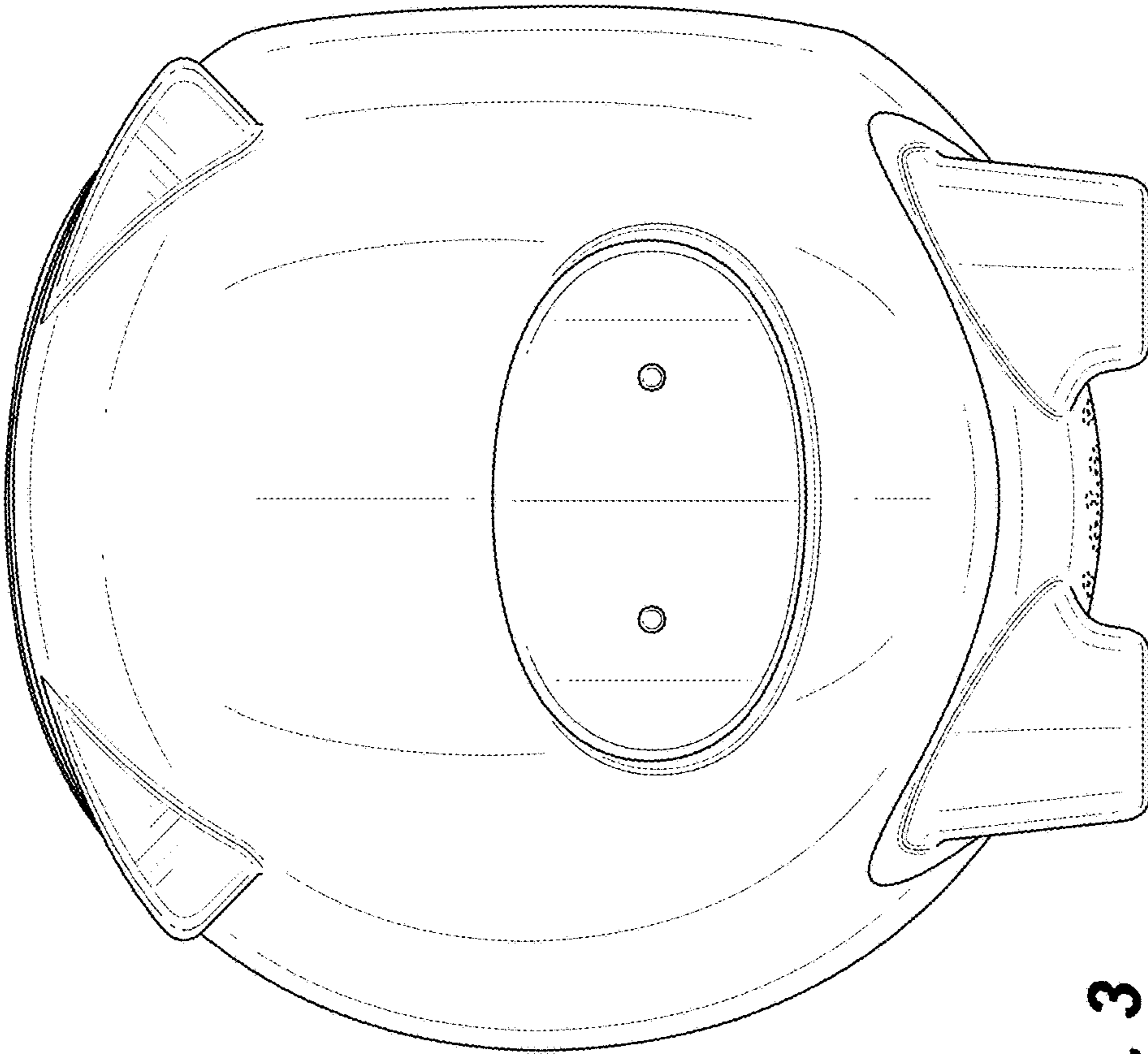


**FIG. 1**

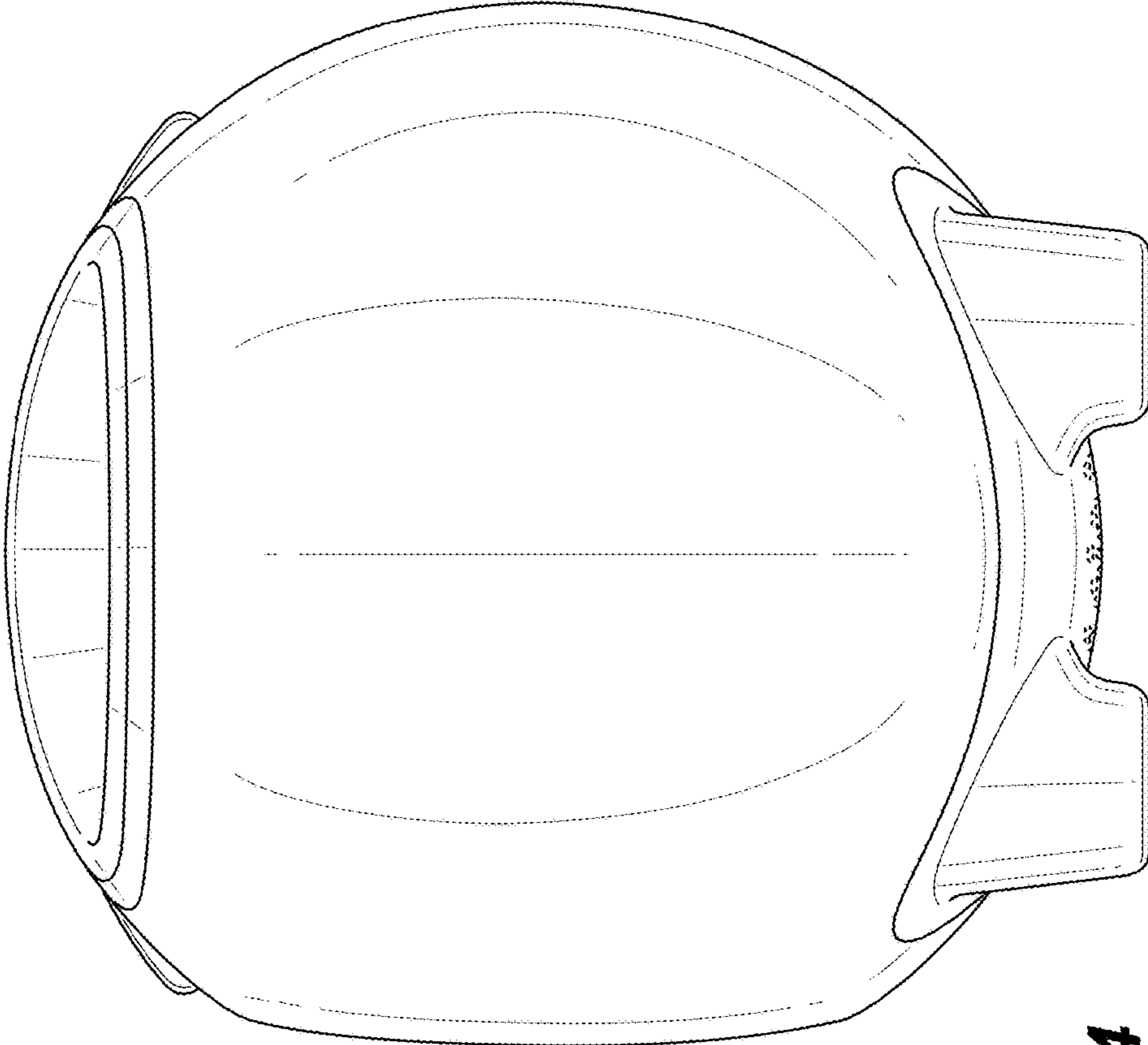


**FIG. 2**

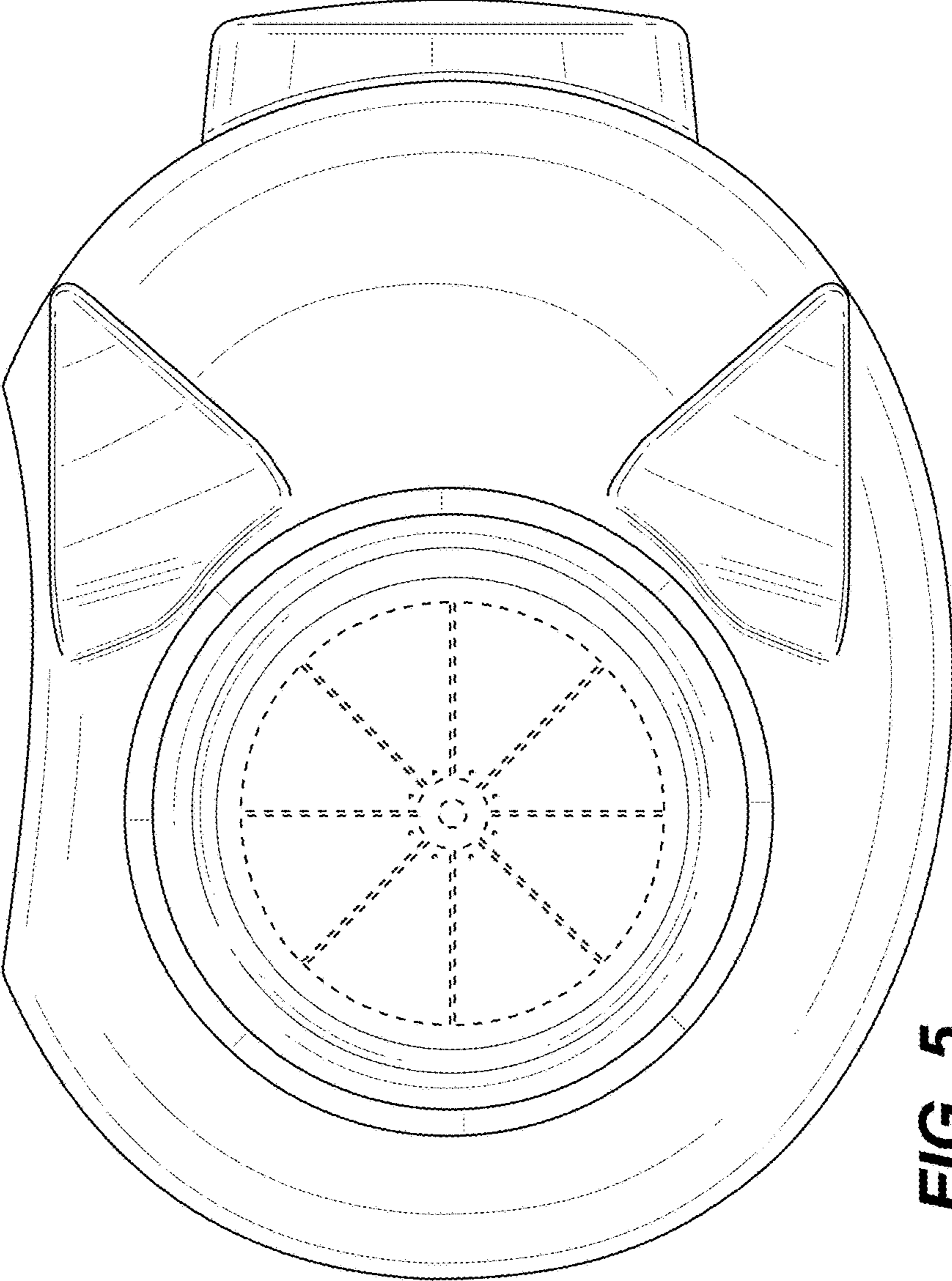




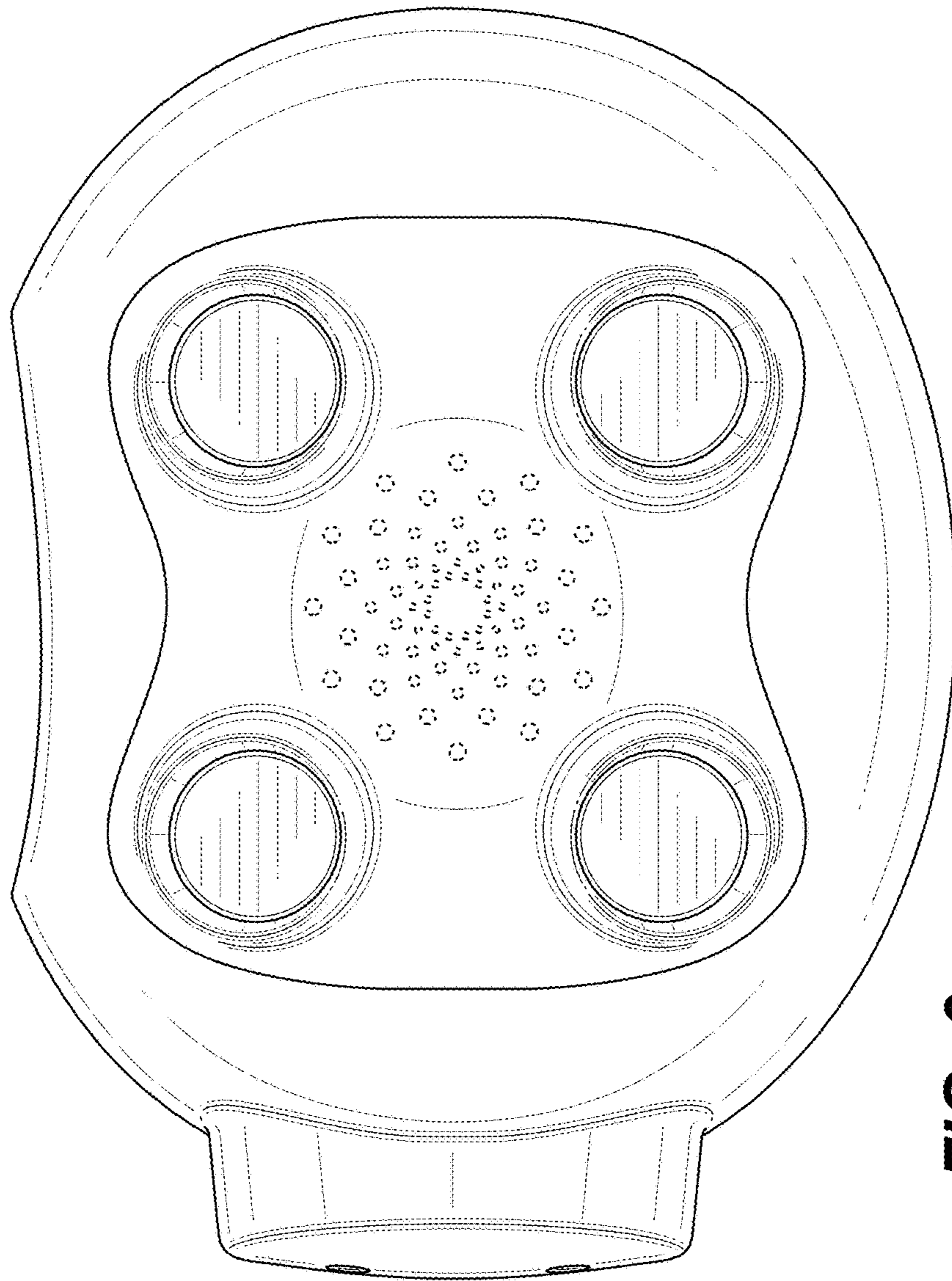
**FIG. 3**



**FIG. 4**

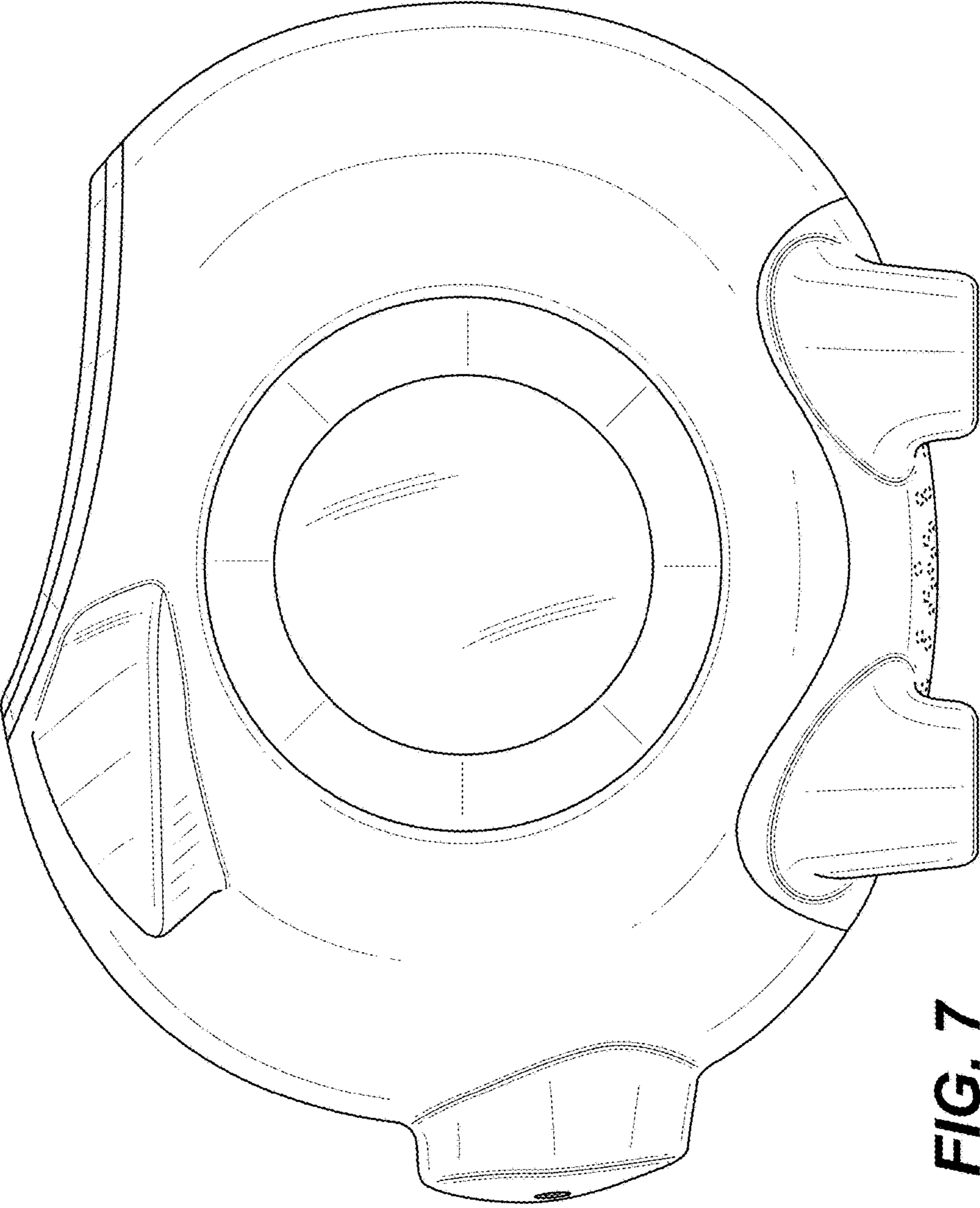


**FIG. 5**

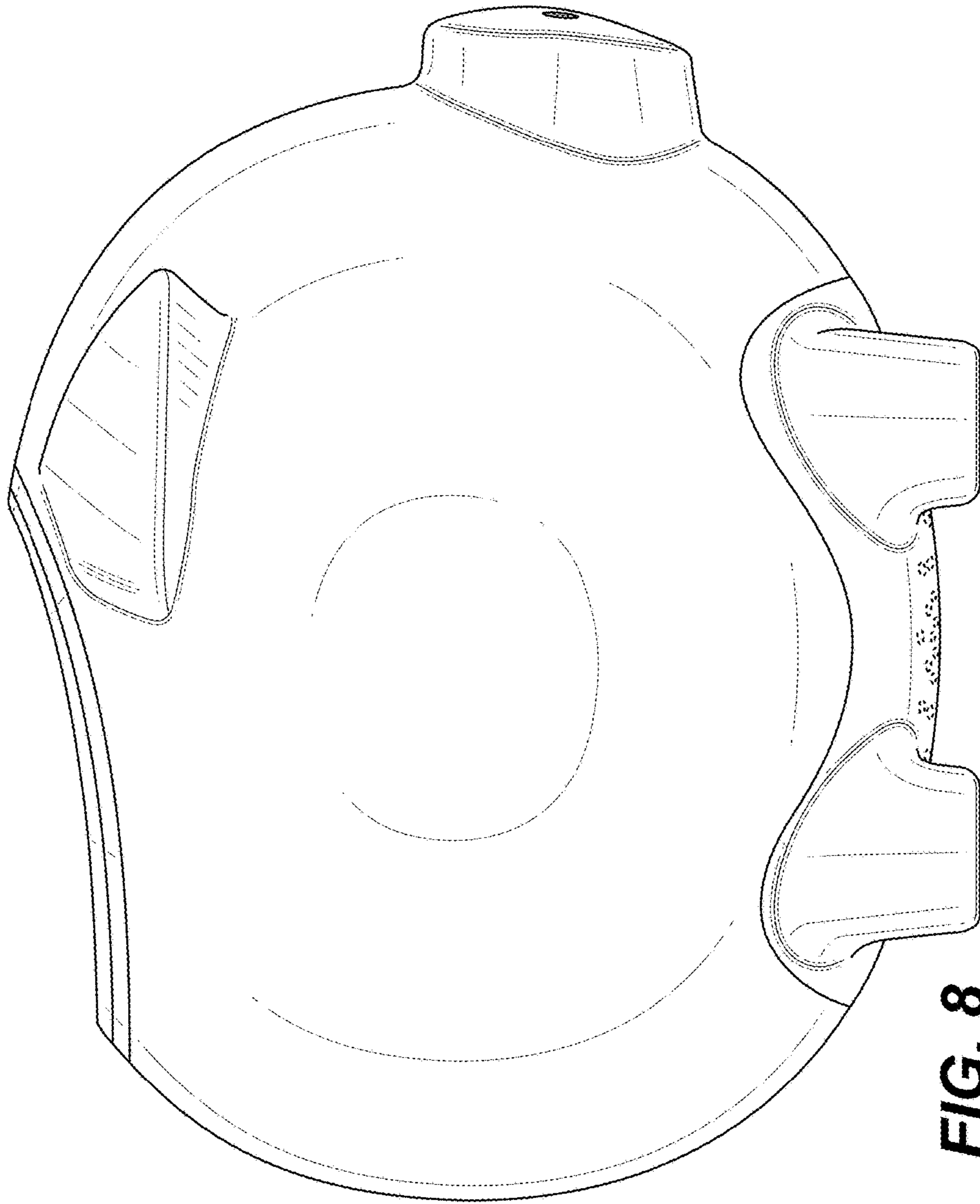


**FIG. 6**





**FIG. 7**



**FIG. 8**