



US00D863713S

(12) **United States Design Patent**
Fox et al.

(10) **Patent No.:** **US D863,713 S**
(45) **Date of Patent:** **** Oct. 15, 2019**

(54) **TRANSMISSION JACK**
(71) Applicant: **VIS, LLC**, Travelers Rest, SC (US)
(72) Inventors: **Robert Fox**, Greenville, SC (US); **Sage Youngblutt**, Greenville, SC (US)
(**) Term: **15 Years**
(21) Appl. No.: **29/636,947**
(22) Filed: **Feb. 13, 2018**
(51) **LOC (12) Cl.** **12-05**
(52) **U.S. Cl.**
USPC **D34/35**
(58) **Field of Classification Search**
USPC D34/31, 35
CPC B60S 9/12; B60S 9/06; B60S 9/02; B66F 3/38; B66F 7/00; B66F 7/02; B66F 9/06; B66F 9/00; B66F 5/00; B66F 5/04; B66F 3/25; B66F 3/30; B66F 3/12; B66F 3/18; B66F 3/24; B66F 3/28; B66F 3/247
See application file for complete search history.

D541,504 S * 4/2007 Landsberger D34/31
D560,324 S * 1/2008 Drake D34/31
D561,424 S * 2/2008 Drake D34/31
7,581,713 B1 * 9/2009 Voss B66F 3/25
254/2 B
8,231,108 B2 * 7/2012 Realegeno-Amaya
B66D 1/08
254/134
D731,735 S * 6/2015 Martinez Martinez D34/31
9,102,344 B2 * 8/2015 Heinz B62B 3/02
D789,015 S * 6/2017 Shu D34/28
D793,648 S * 8/2017 Jiang D34/28

(Continued)

Primary Examiner — Cynthia Ramirez
(74) *Attorney, Agent, or Firm* — J. Bennett Mullinax, LLC

(57) **CLAIM**

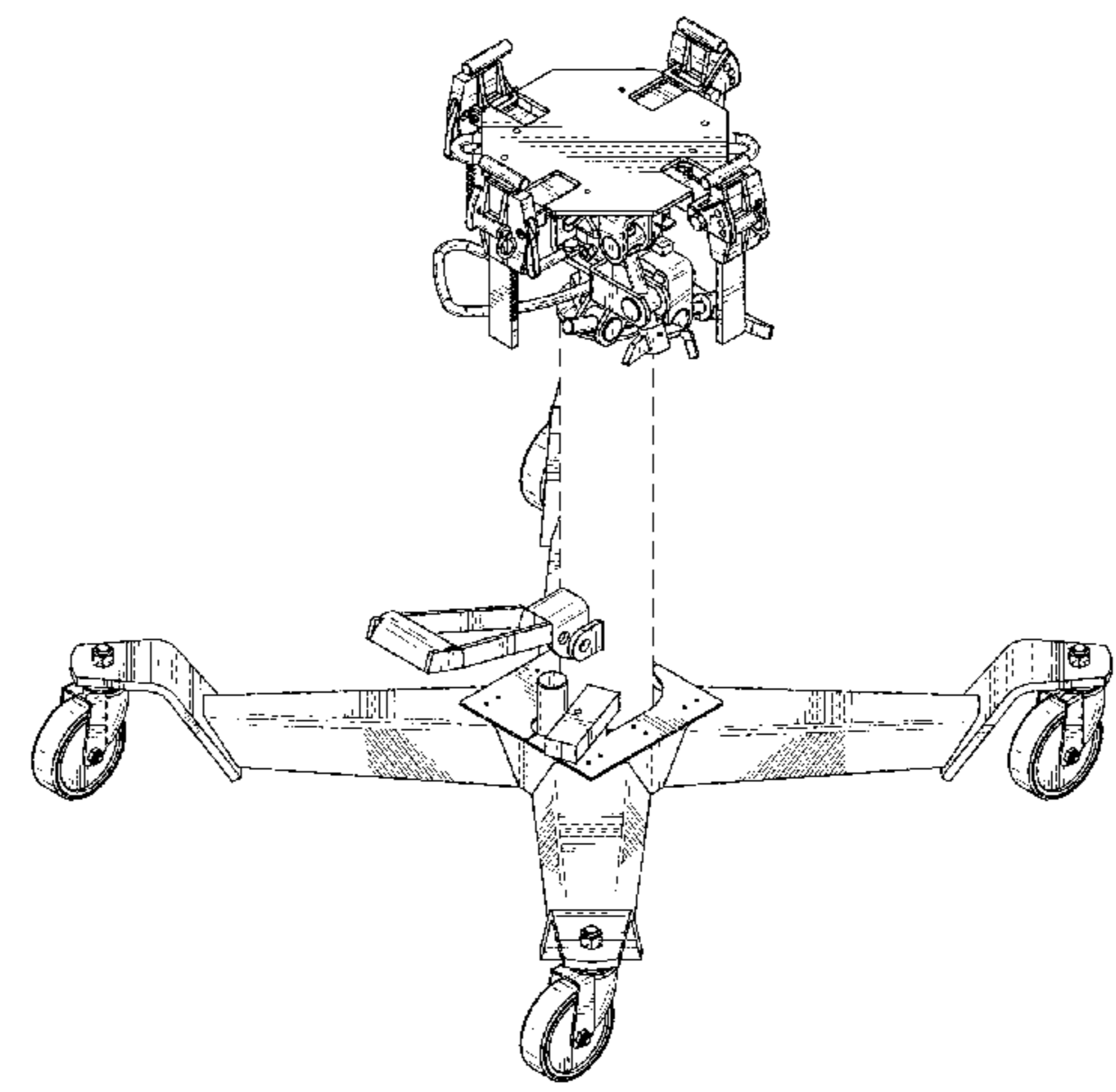
The ornamental design for a transmission jack, as shown and described.

DESCRIPTION

FIG. 1 is a side perspective view of the transmission jack according to the present design;
FIG. 2 is a back view of the transmission jack as shown in FIG. 1;
FIG. 3 is a front view of the transmission jack as shown in FIG. 1;
FIG. 4 is a left side view of the transmission jack as shown in FIG. 1;
FIG. 5 is a right side view of the transmission jack as shown in FIG. 1;
FIG. 6 is a top view of the transmission jack as shown in FIG. 1; and,
FIG. 7 is a bottom view of the transmission jack as shown in FIG. 1.
The broken lines shown in FIGS. 1-7 are to show portions of the transmission jack which form no part of the claimed design.

(56) **References Cited**
U.S. PATENT DOCUMENTS
4,854,803 A * 8/1989 Coccoaro B60B 29/002
414/429
5,112,070 A * 5/1992 Hahn B60B 29/002
280/79.4
5,156,375 A * 10/1992 Liegel B66F 3/38
254/134
D348,340 S * 6/1994 Collins, Jr. D34/28
D370,109 S * 5/1996 Hodges D34/23
5,975,496 A * 11/1999 Hong B66F 3/42
254/2 R
6,257,552 B1 * 7/2001 Crow B66F 3/24
254/134
D475,498 S * 6/2003 Christensen D34/33
6,581,908 B1 * 6/2003 Francis B25H 1/0007
254/134
7,097,406 B1 * 8/2006 Gang B60B 29/002
254/105
D532,575 S * 11/2006 Oberg D34/28

1 Claim, 7 Drawing Sheets



(56)

References Cited

U.S. PATENT DOCUMENTS

D799,778 S * 10/2017 Gilman D34/31
D824,132 S * 7/2018 Shao D34/31
D846,223 S * 4/2019 Sheesley D34/31
2003/0091416 A1* 5/2003 Tortellier B60B 29/002
414/426
2008/0101898 A1* 5/2008 Hernandez B60B 29/002
414/426
2013/0104695 A1* 5/2013 Kleifgen B66F 5/04
74/99 R
2015/0123055 A1* 5/2015 Arzouman B66F 5/04
254/2 B
2015/0202921 A1* 7/2015 Finkbeiner B66F 7/04
29/426.2
2018/0079635 A1* 3/2018 Youngblutt B66F 13/00

* cited by examiner

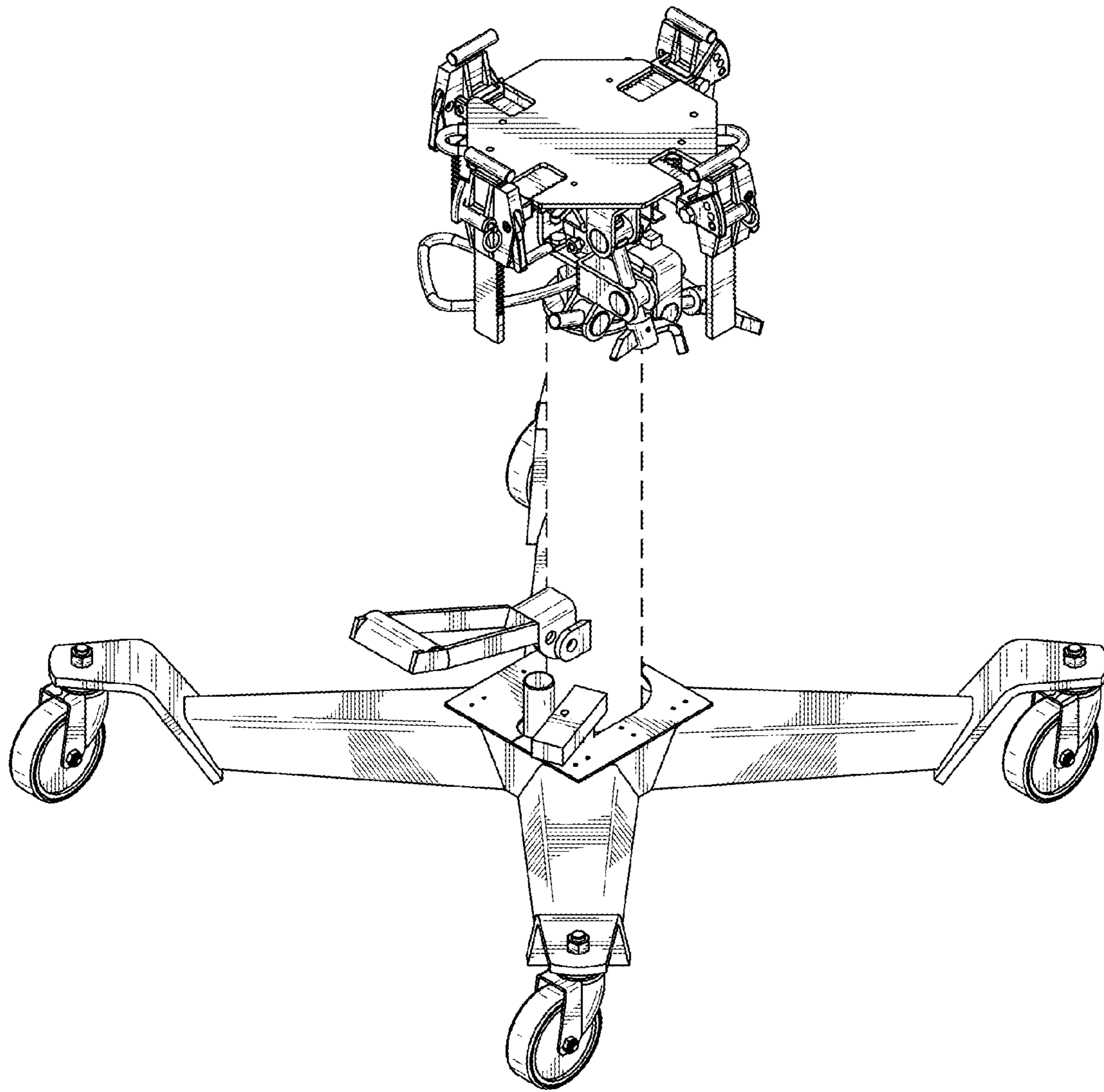


FIG. 1

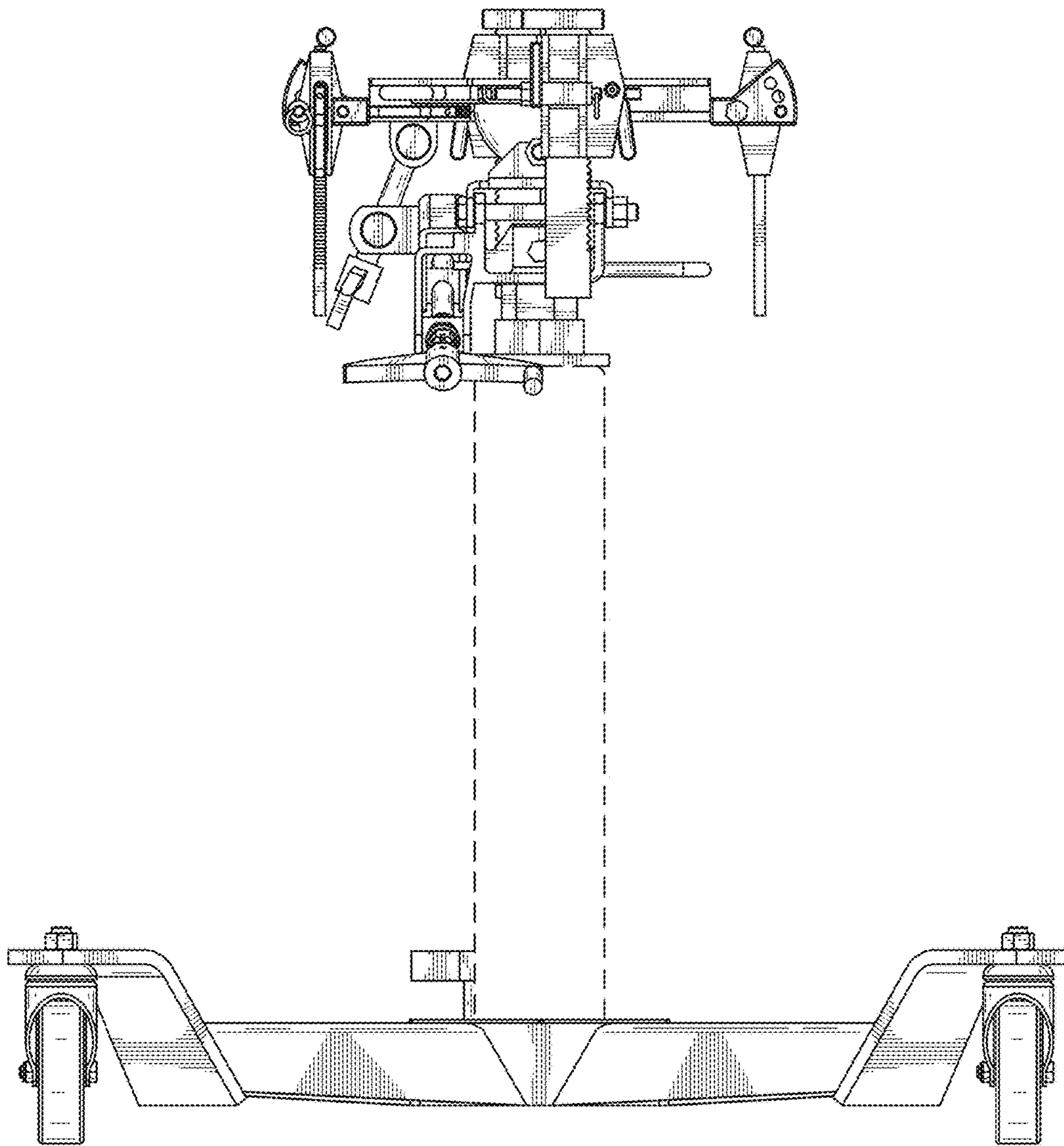


FIG. 2

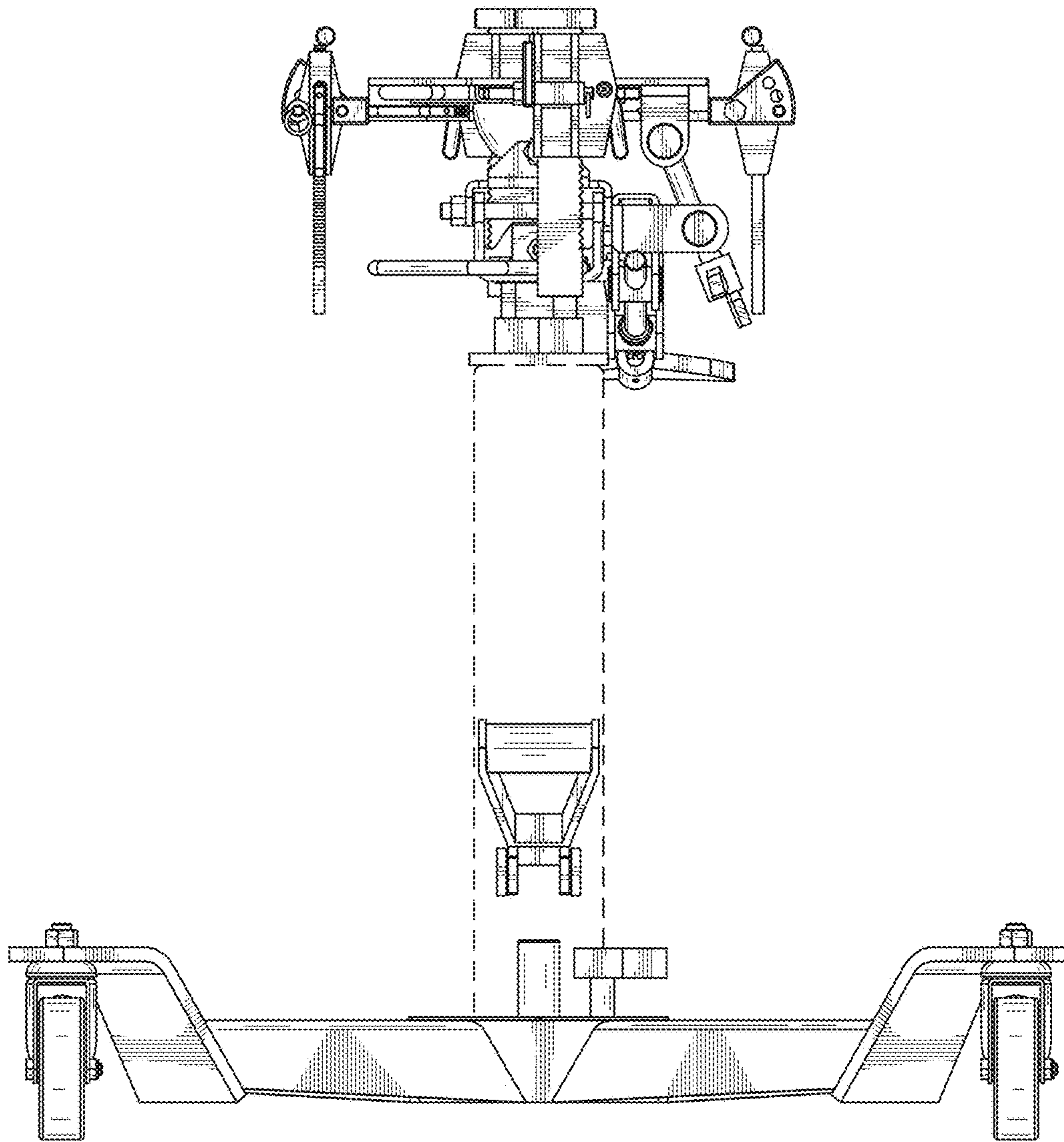


FIG. 3

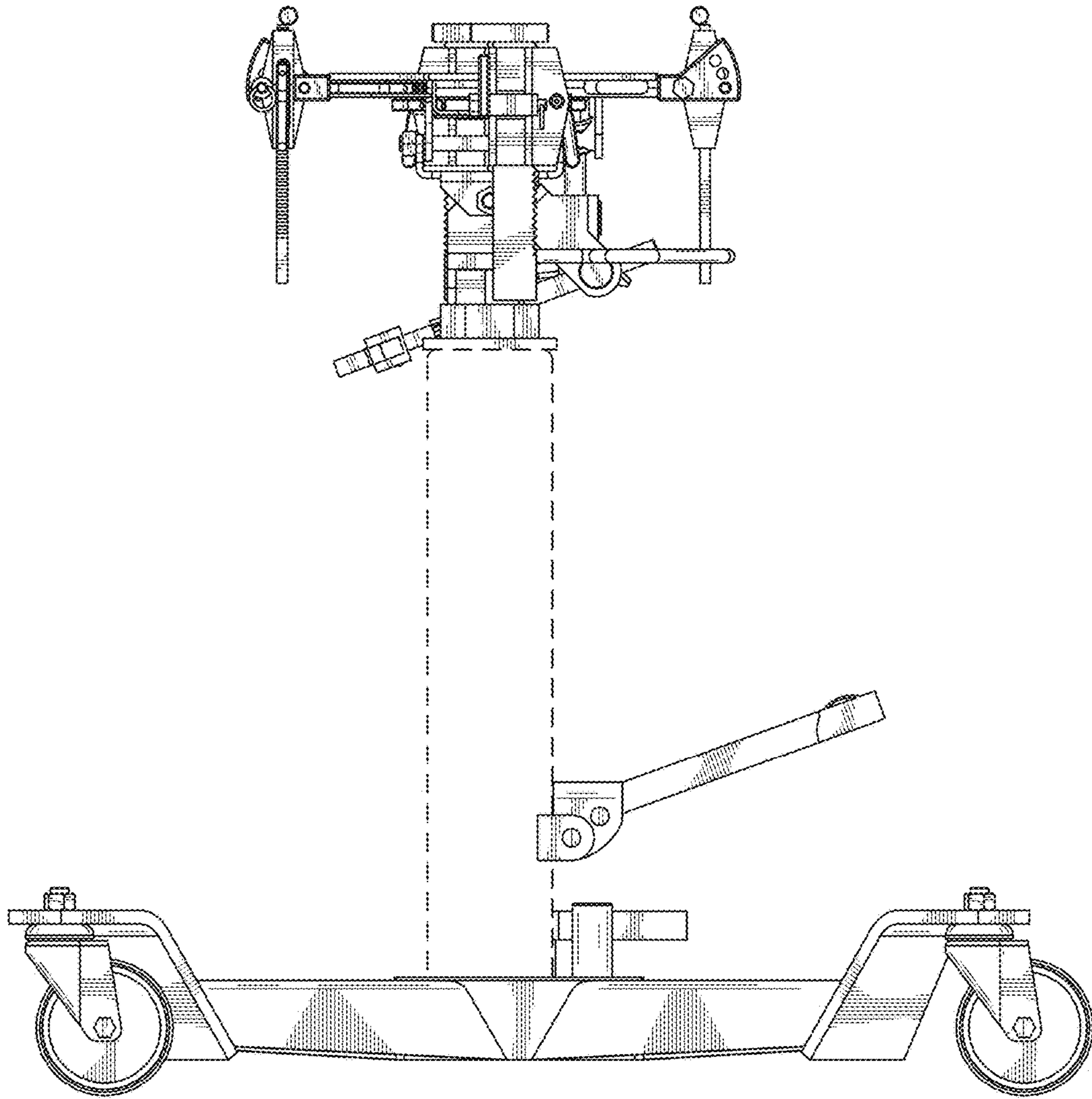


FIG. 4

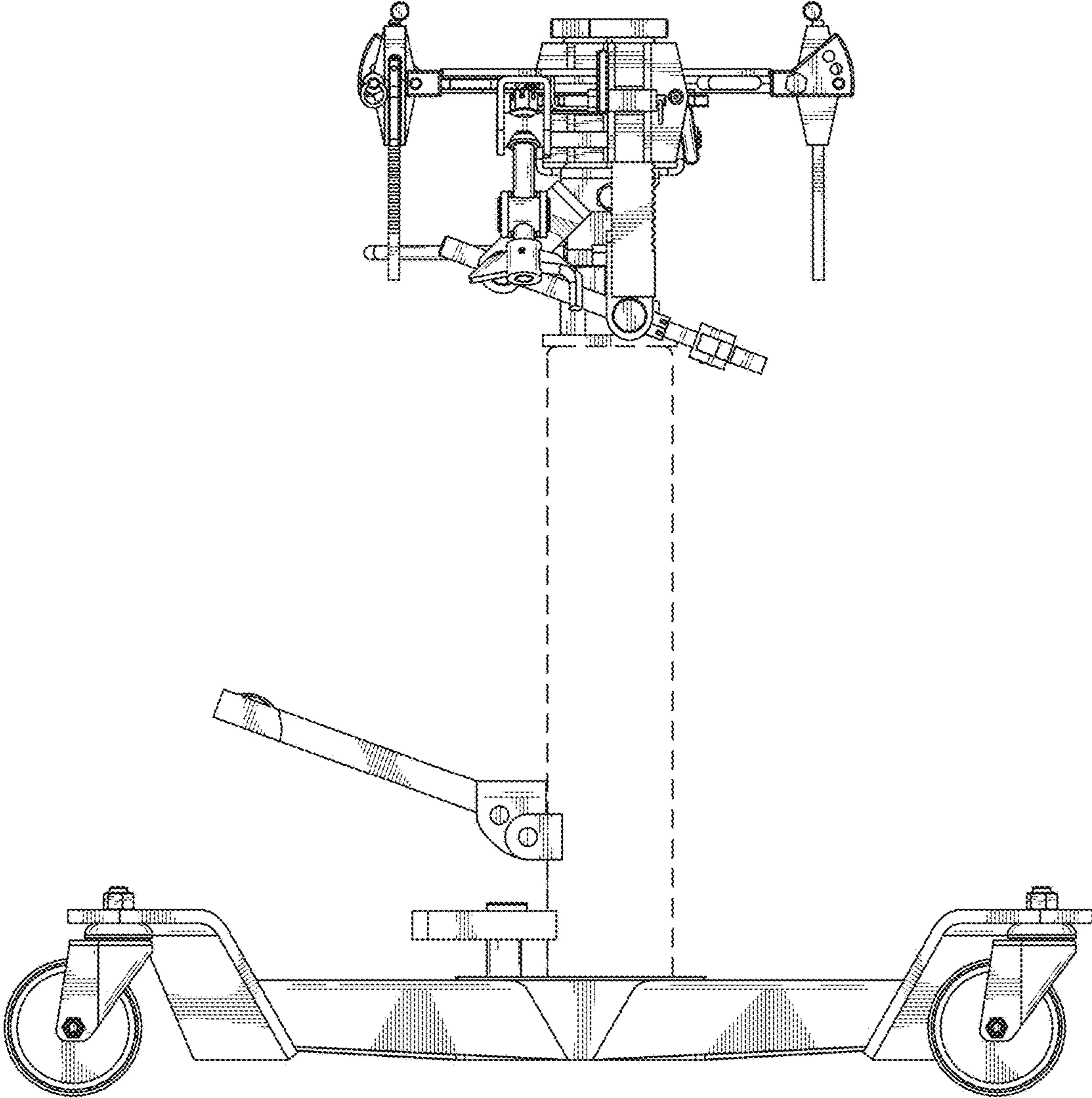


FIG. 5

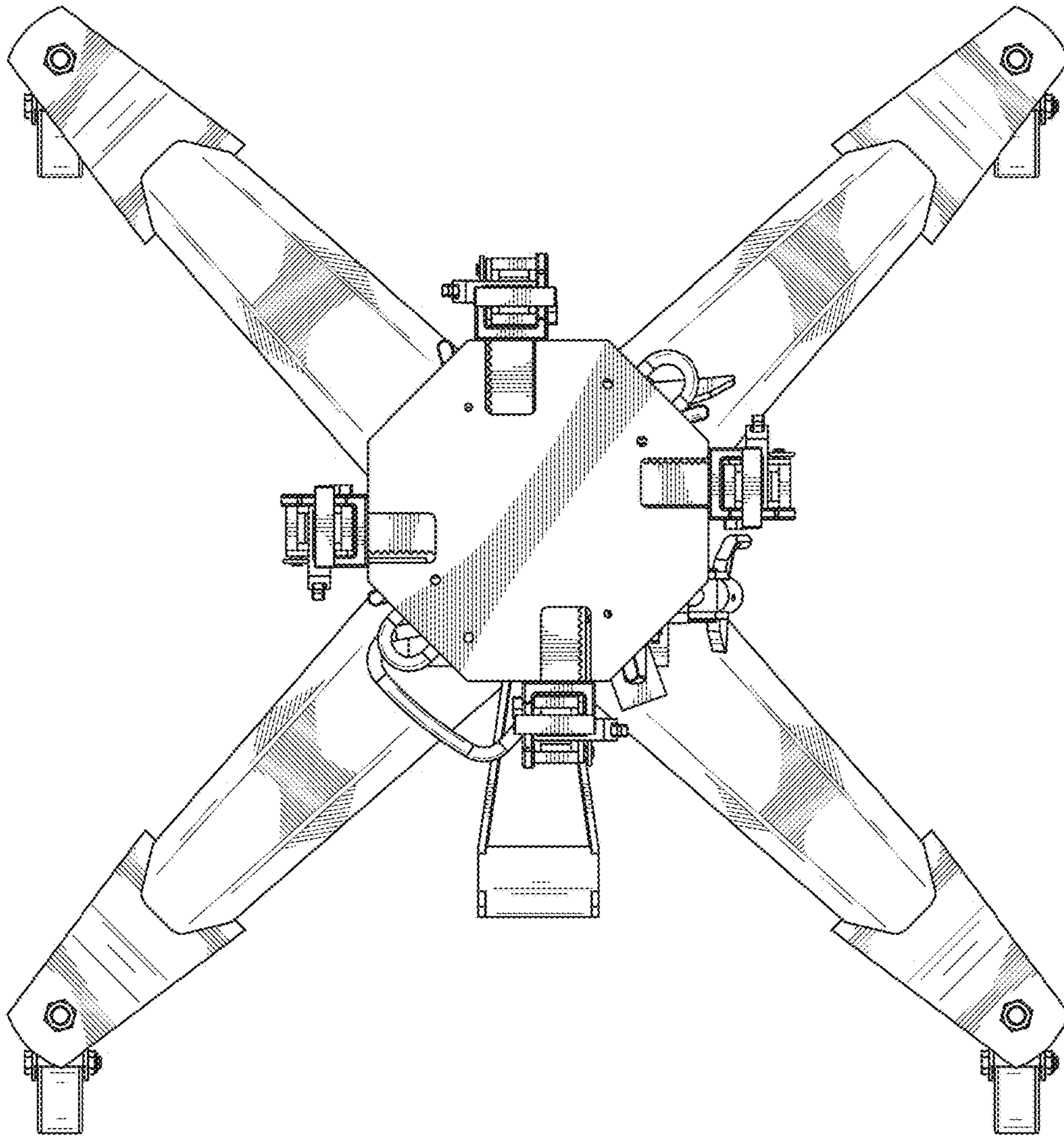


FIG. 6

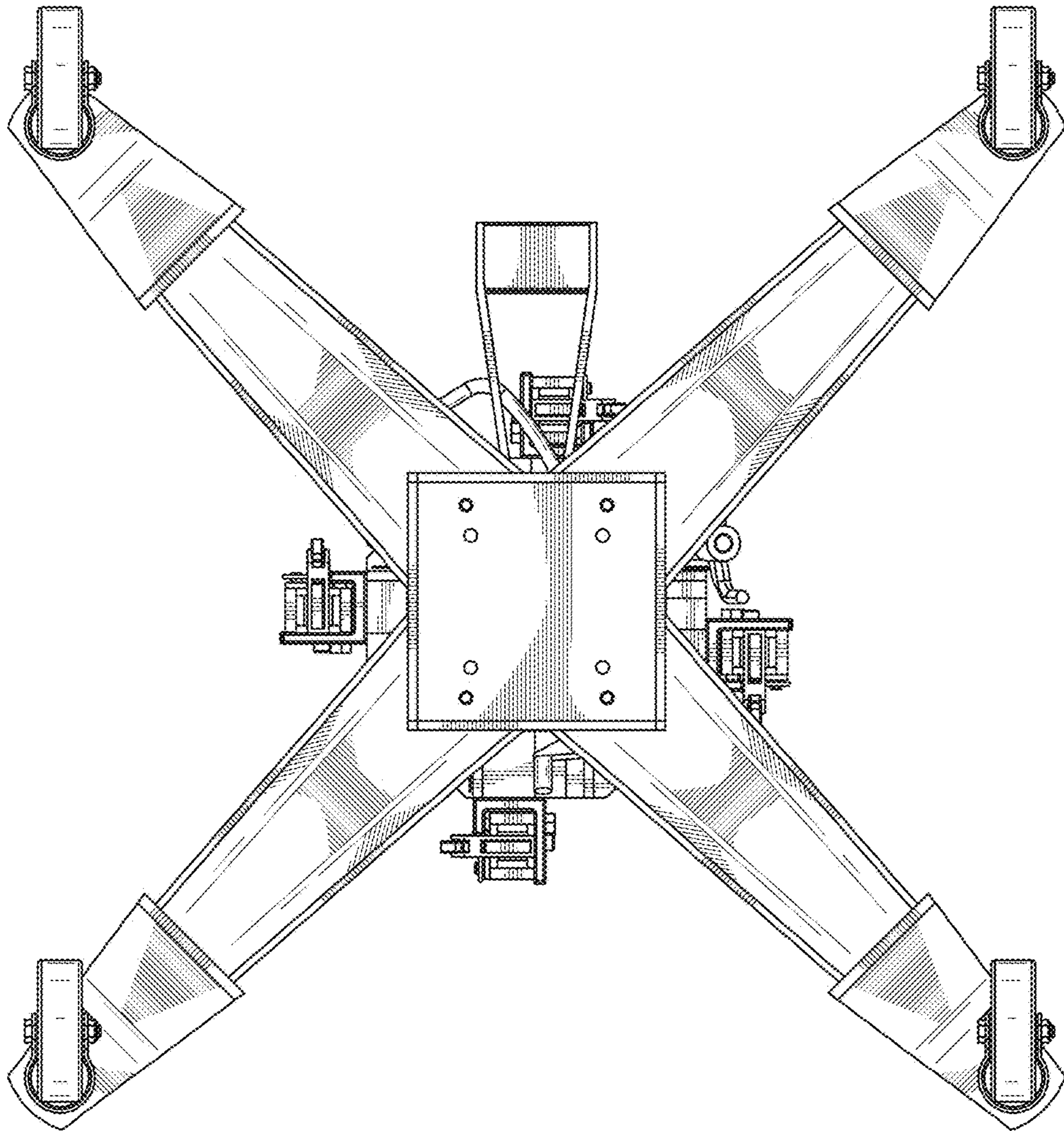


FIG. 7