



US00D863712S

(12) **United States Design Patent**  
**Weixiang**

(10) **Patent No.:** **US D863,712 S**

(45) **Date of Patent:** **\*\* Oct. 15, 2019**

- (54) **FLOOR JACK**
- (71) Applicant: **VIS, LLC**, Travelers Rest, SC (US)
- (72) Inventor: **He Weixiang**, Hangzhou (CN)
- (73) Assignee: **VIS, LLC**, Travelers Rest, SC (US)
- (\*\*) Term: **15 Years**
- (21) Appl. No.: **29/640,565**
- (22) Filed: **Mar. 15, 2018**
- (51) **LOC (12) Cl.** ..... **12-05**
- (52) **U.S. Cl.**  
USPC ..... **D34/31**
- (58) **Field of Classification Search**  
USPC ..... D34/31  
CPC ..... B60S 9/12; B60S 9/06; B60S 9/02; B66F 7/00; B66F 7/02; B66F 9/06; B66F 9/00; B66F 5/00; B66F 5/04; B66F 3/25; B66F 3/30; B66F 3/12; B66F 3/18; B66F 3/24; B66F 3/28; B66F 3/247  
See application file for complete search history.

D604,025	S	11/2009	Lin	
D628,760	S	12/2010	Fox et al.	
D688,845	S	8/2013	Hernandez et al.	
8,500,095	B1	8/2013	Salcedo	
8,608,131	B2	12/2013	Kania	
8,622,369	B2	1/2014	Kania	
D720,514	S	12/2014	Fox et al.	
D720,914	S	1/2015	Fox	
D720,915	S	1/2015	Fox	
D730,612	S *	5/2015	James	D34/31
D764,736	S *	8/2016	Fox	D34/31
D799,142	S	10/2017	Fox	
D835,378	S *	12/2018	Huang	D34/31
2006/0278858	A1	12/2006	Brocchini, Jr.	
2008/0083913	A1	4/2008	Fang et al.	
2013/0153839	A1 *	6/2013	Shen	B66F 5/04 254/2 B

(Continued)

*Primary Examiner* — Cynthia Ramirez

(74) *Attorney, Agent, or Firm* — J. Bennett Mullinax, LLC

(57) **CLAIM**

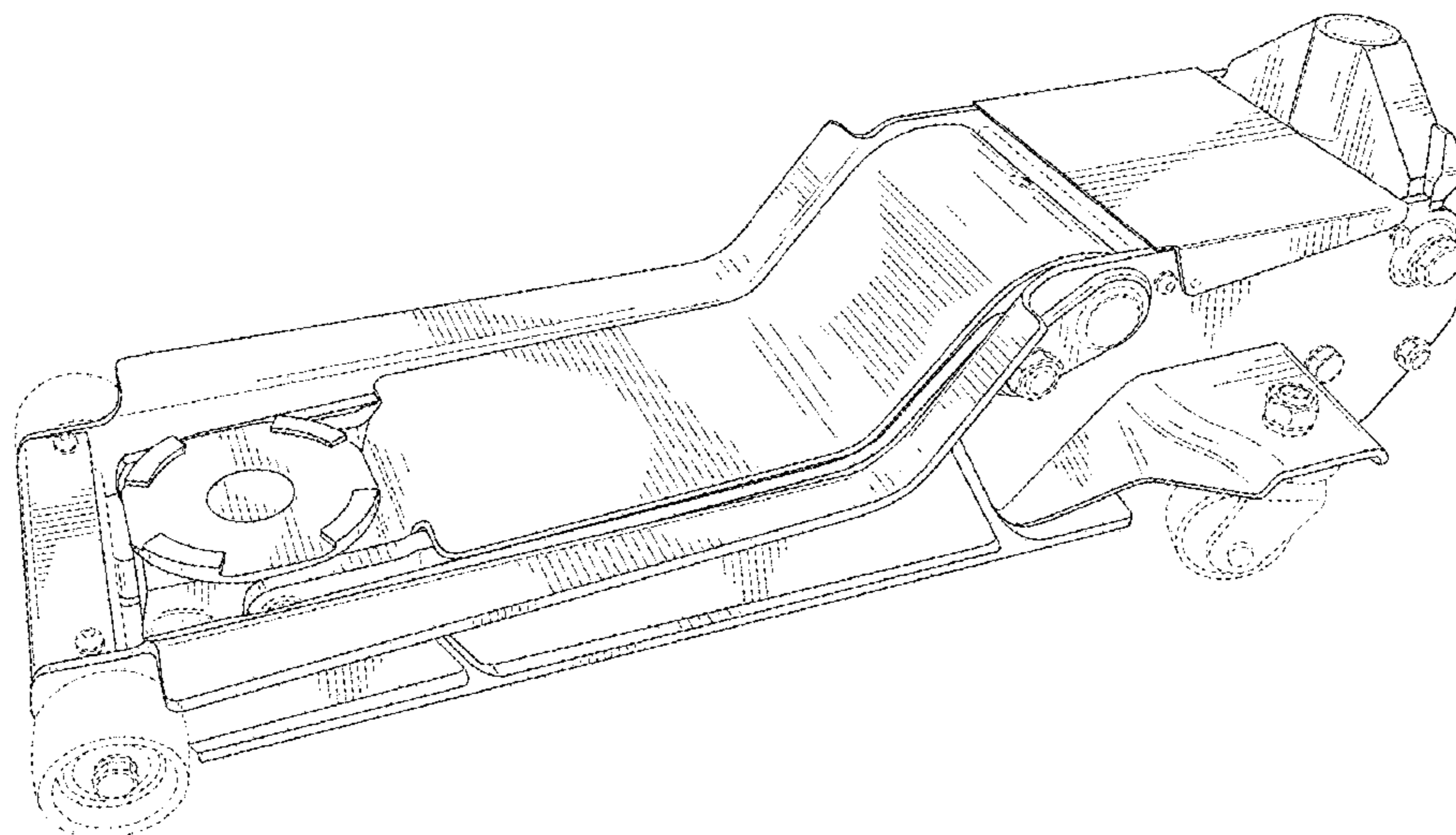
The ornamental design for a floor jack, as shown and described.

**DESCRIPTION**

FIG. 1 is a left perspective view of the floor jack according to the present design;  
 FIG. 2 is a front view of the floor jack as shown in FIG. 1;  
 FIG. 3 is a rear view of the floor jack as shown in FIG. 1;  
 FIG. 4 is a right side view, the left side view being a mirror image thereof of the floor jack as shown in FIG. 1;  
 FIG. 5 is a top view of the floor jack as shown in FIG. 1; and,  
 FIG. 6 is a bottom view of the floor jack as shown in FIG. 1.  
 The broken lines in FIGS. 1-6 are for the purpose of illustrating portions of the floor jack that form no part of the claimed design.

**1 Claim, 5 Drawing Sheets**

- (56) **References Cited**  
U.S. PATENT DOCUMENTS
- D272,670 S \* 2/1984 Tsujimura ..... D34/31
- D284,417 S 6/1986 Yamagishi
- D296,596 S 7/1988 Taylor et al.
- D332,337 S 1/1993 Wang
- D388,926 S 1/1998 Sorensen
- D421,516 S 3/2000 Hung
- D452,597 S 12/2001 Hung
- D453,983 S 2/2002 Linlai-Shun
- D480,196 S 9/2003 Hsu
- D483,169 S 12/2003 Fox
- D531,377 S 10/2006 Liu
- D582,623 S 12/2008 Qian
- D590,121 S \* 4/2009 Shen ..... D34/31



(56)

**References Cited**

U.S. PATENT DOCUMENTS

2015/0137052 A1\* 5/2015 DeKeuster ..... B66F 5/00  
254/133 R

\* cited by examiner

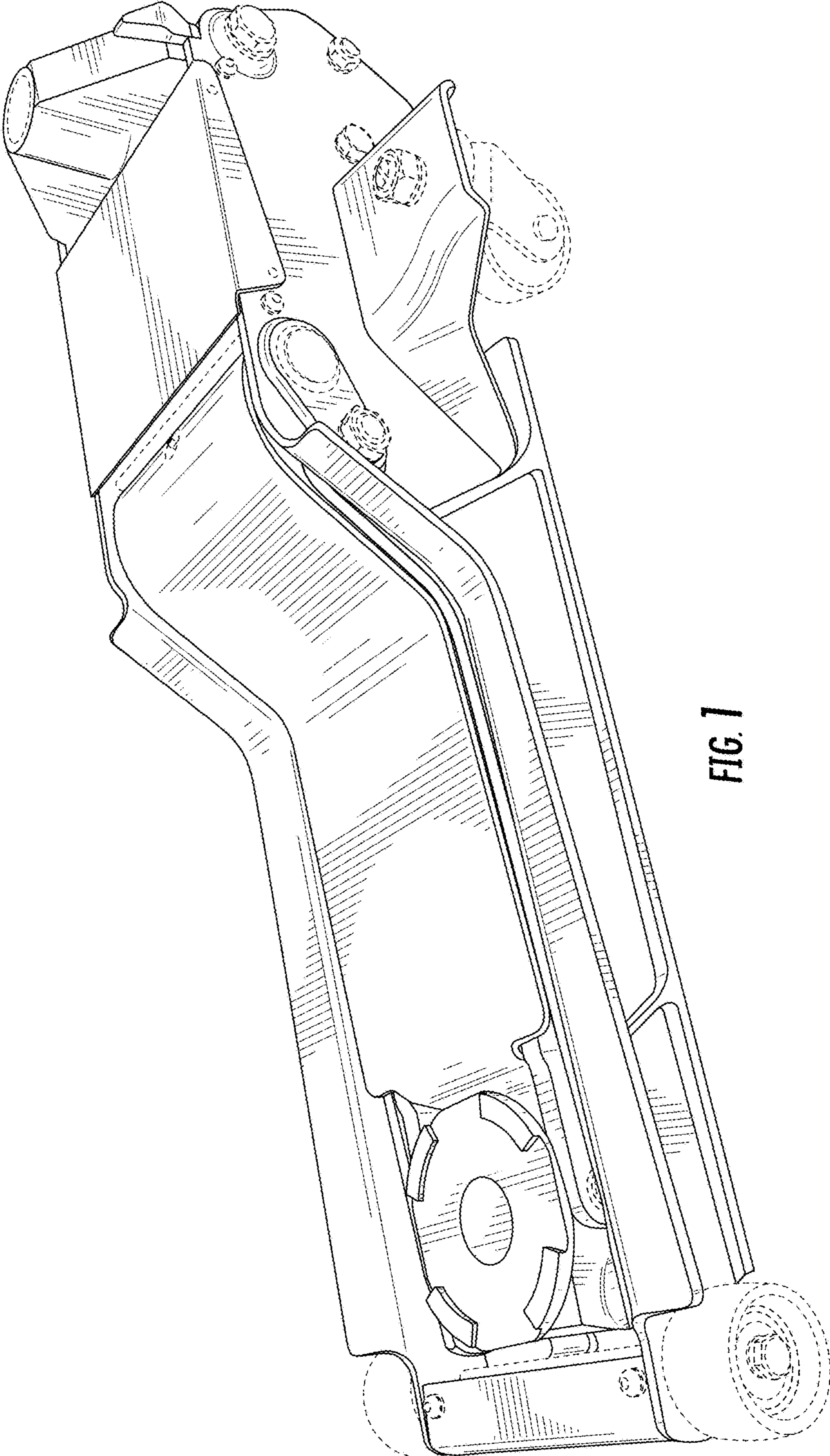
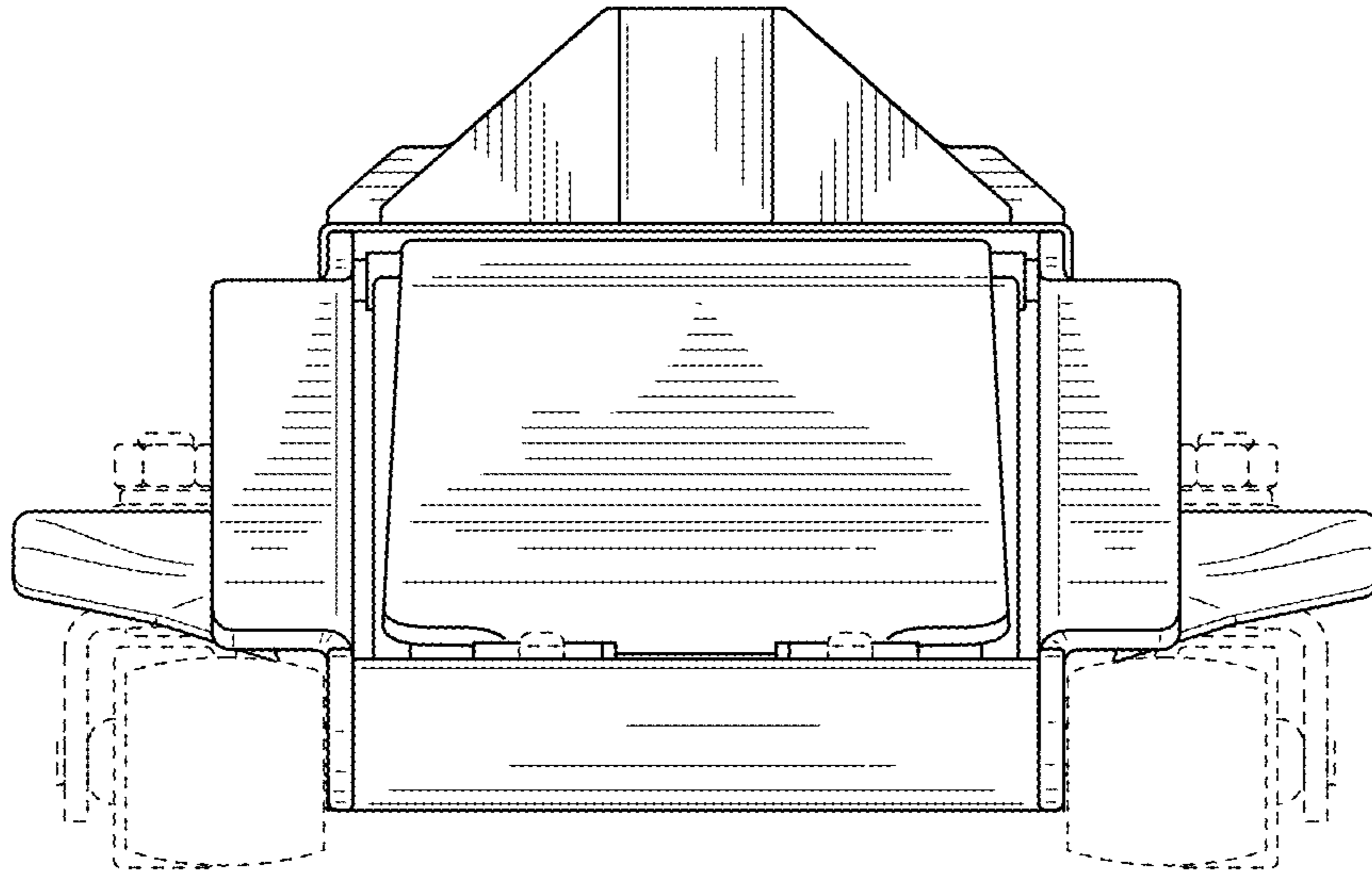
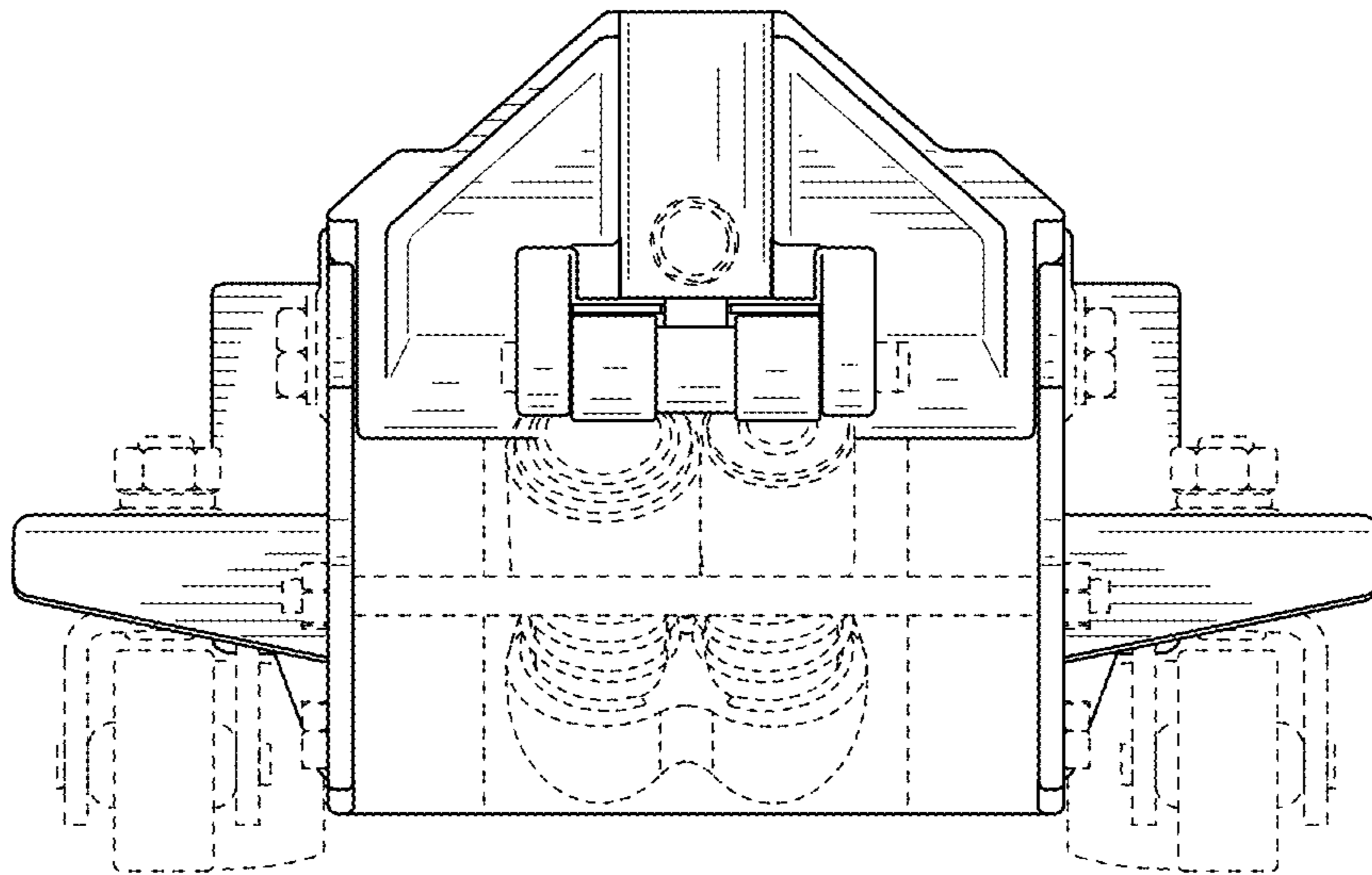


FIG. 1



**FIG. 2**



**FIG. 3**

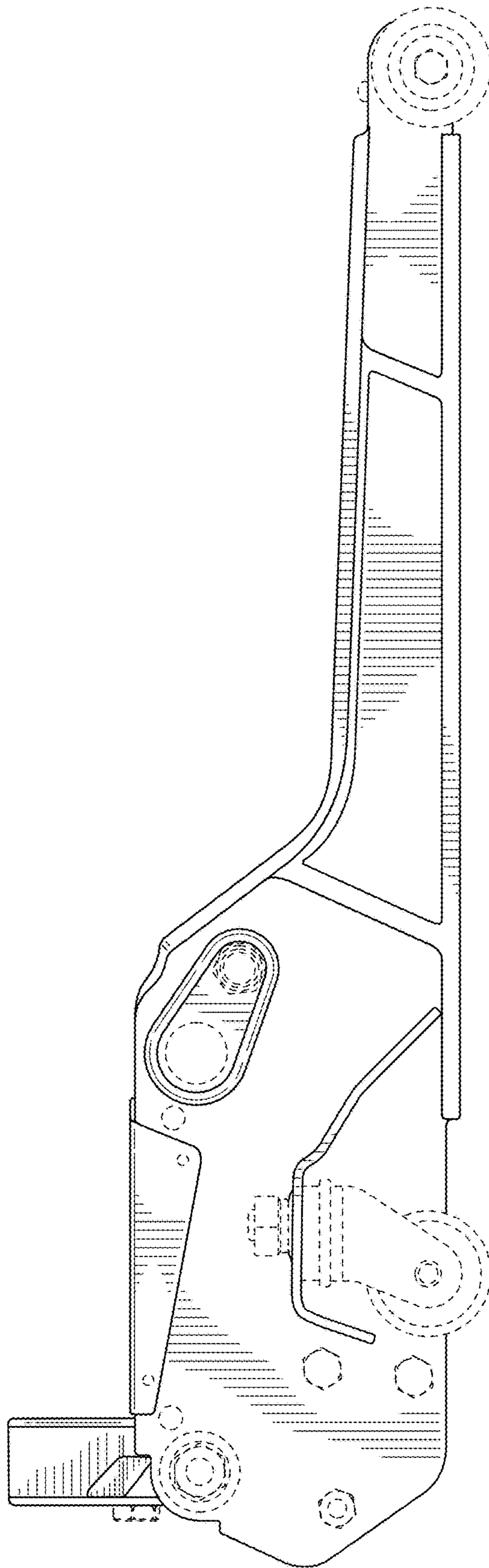


FIG. 4

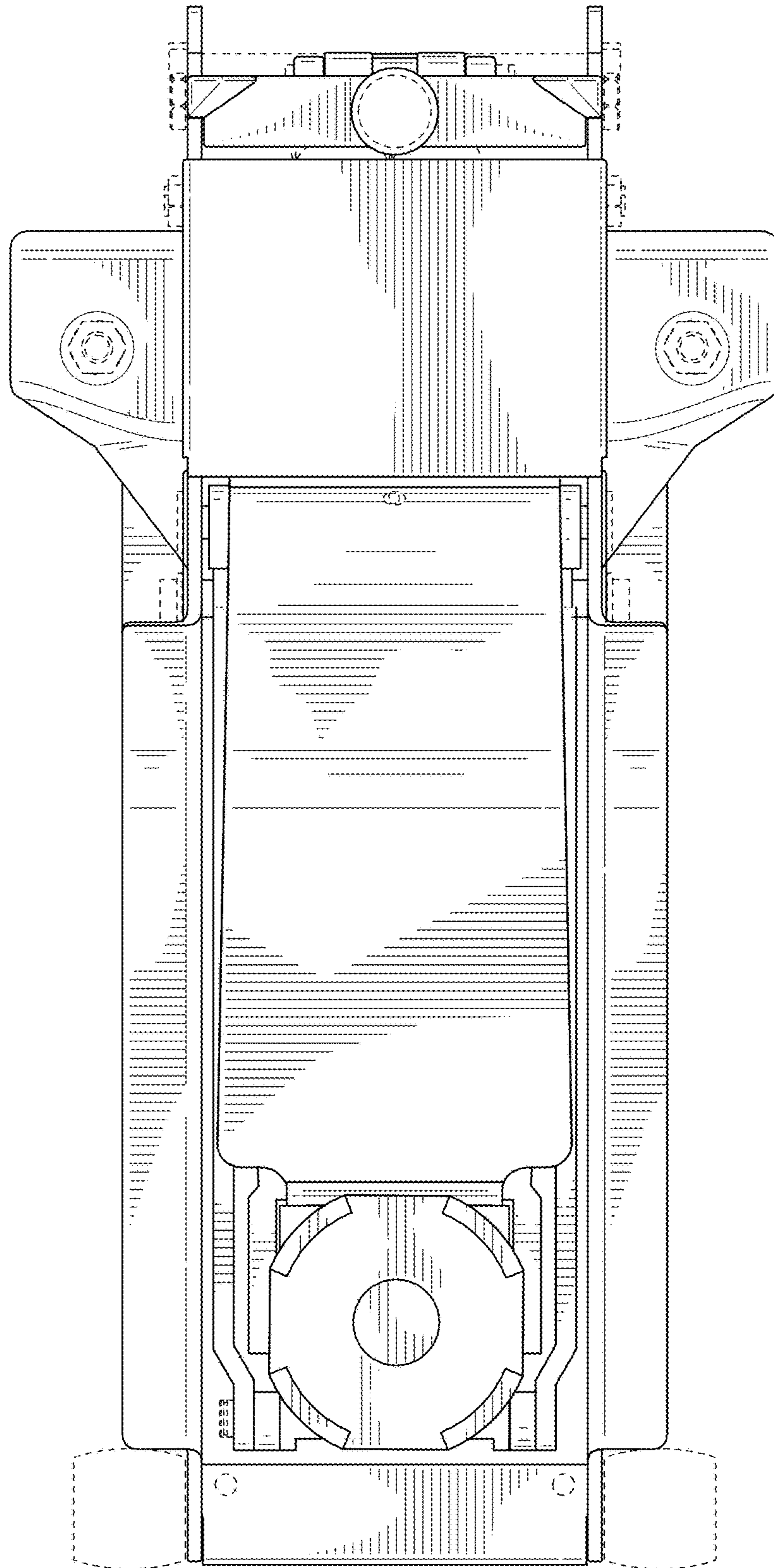


FIG. 5

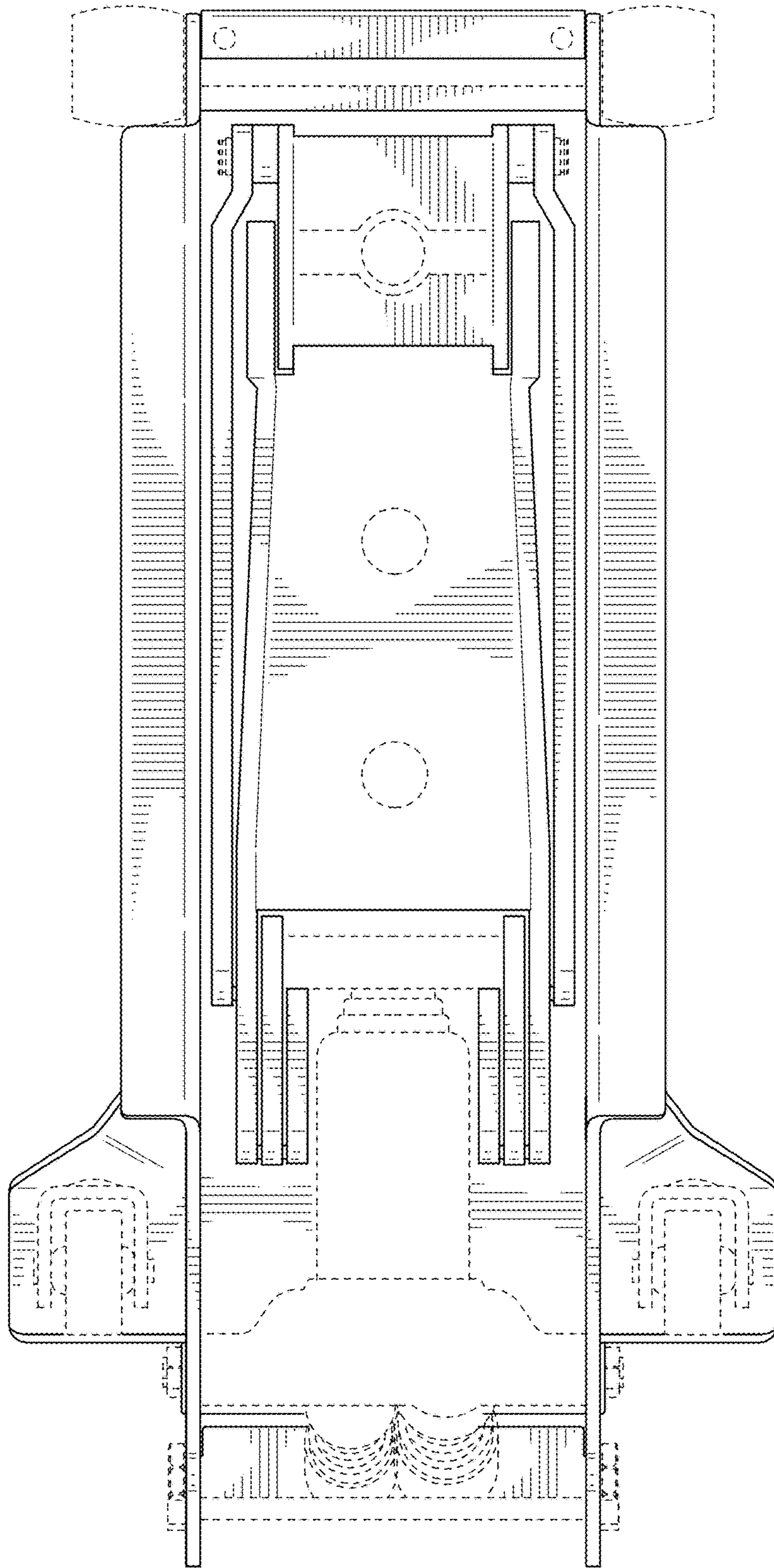


FIG. 6