



US00D863711S

(12) **United States Design Patent** (10) **Patent No.:** **US D863,711 S**  
**Fox** (45) **Date of Patent:** **\*\* Oct. 15, 2019**

(54) **FLOOR JACK**  
(71) Applicant: **VIS, LLC**, Travelers Rest, SC (US)  
(72) Inventor: **Robert Fox**, Greenville, SC (US)  
(73) Assignee: **VIS, LLC**, Travelers Rest, SC (US)  
(\*\*) Term: **15 Years**  
(21) Appl. No.: **29/636,960**

(22) Filed: **Feb. 13, 2018**  
(51) **LOC (12) Cl.** ..... **12-05**  
(52) **U.S. Cl.**  
USPC ..... **D34/31**  
(58) **Field of Classification Search**  
USPC ..... D34/31  
CPC ..... B60S 9/12; B60S 9/06; B60S 9/02; B66F  
7/00; B66F 7/02; B66F 9/06; B66F 9/00;  
B66F 5/00; B66F 5/04; B66F 3/25; B66F  
3/30; B66F 3/12; B66F 3/18; B66F 3/24;  
B66F 3/28; B66F 3/247  
See application file for complete search history.

(56) **References Cited**  
U.S. PATENT DOCUMENTS  
D272,670 S \* 2/1984 Tsujimura ..... D34/31  
D284,417 S 6/1986 Yamagishi  
D296,598 S 7/1988 Hung  
D332,337 S 1/1993 Wang  
D388,926 S 1/1998 Sorensen  
D421,516 S 3/2000 Hung  
D452,597 S 12/2001 Hung  
D453,983 S 2/2002 Lin  
D480,196 S 9/2003 Hsu  
D483,169 S 12/2003 Fox  
D531,377 S 10/2006 Liu  
D582,623 S 12/2008 Qian et al.  
D590,121 S \* 4/2009 Shen ..... D34/31  
D604,025 S 11/2009 Lin

D628,760 S 12/2010 Fox et al.  
D688,845 S 8/2013 Hernandez et al.  
8,500,095 B1 8/2013 Salcedo  
8,608,131 B2 12/2013 Kania  
8,622,369 B2 1/2014 Kania  
D720,514 S 12/2014 Fox et al.  
D720,914 S 1/2015 Fox  
D720,915 S 1/2015 Fox  
D730,612 S \* 5/2015 James ..... D34/31  
D764,736 S \* 8/2016 Fox ..... D34/31  
D799,142 S 10/2017 Fox  
D835,378 S \* 12/2018 Huang ..... D34/31  
2006/0278858 A1 12/2006 Brocchini, Jr.  
2008/0083913 A1 4/2008 Fang et al.

(Continued)

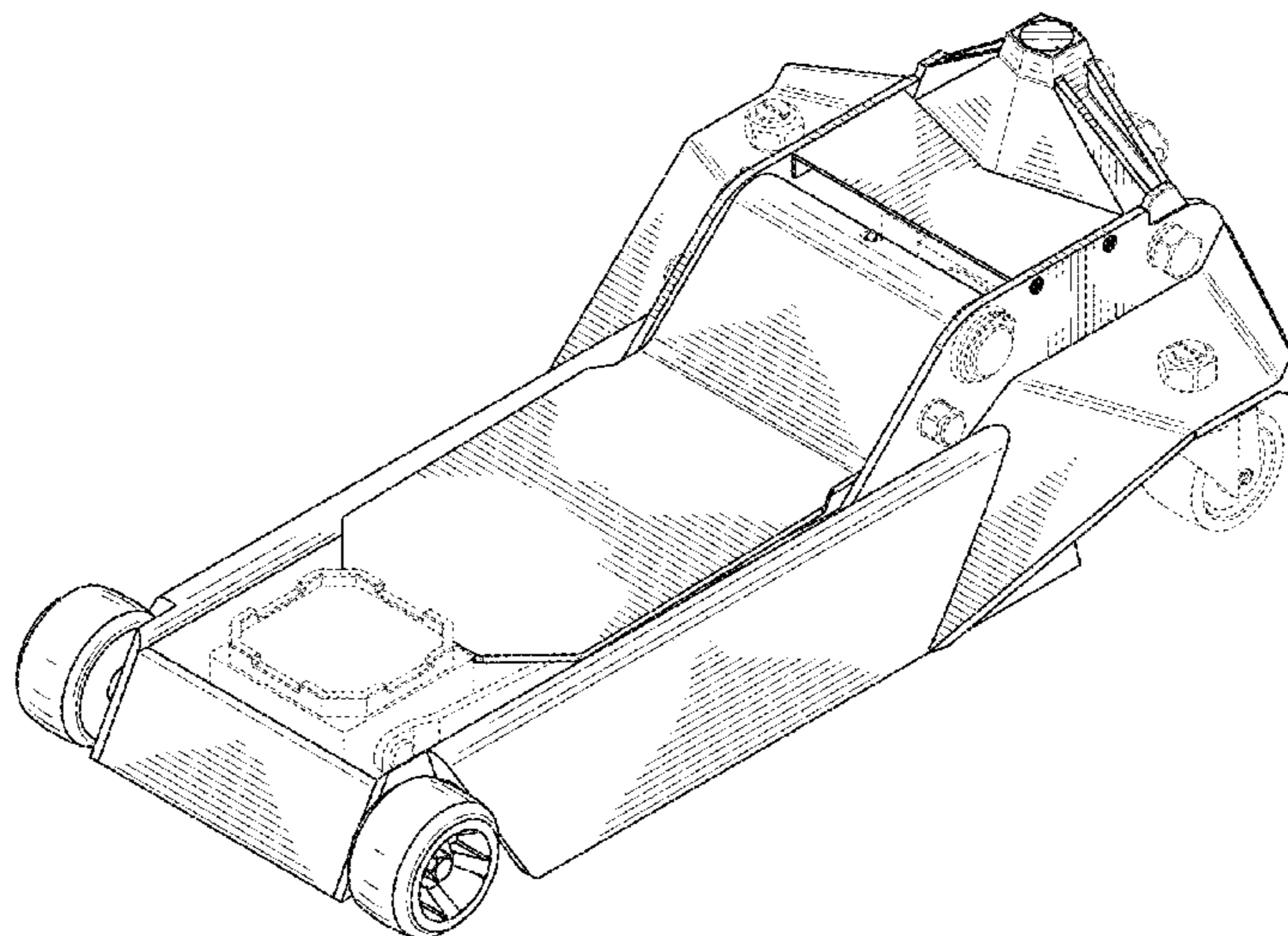
*Primary Examiner* — Cynthia Ramirez  
(74) *Attorney, Agent, or Firm* — J. Bennett Mullinax, LLC

(57) **CLAIM**  
The ornamental design for a floor jack, as shown and described.

**DESCRIPTION**

FIG. 1 is a front perspective view of the floor jack according to the present design;  
FIG. 2 is a front view of the floor jack as shown in FIG. 1;  
FIG. 3 is a rear view of the floor jack as shown in FIG. 1;  
FIG. 4 is a top view of the floor jack as shown in FIG. 1;  
FIG. 5 is a bottom view of the floor jack as shown in FIG. 1;  
FIG. 6 is a right side view of the floor jack as shown in FIG. 1; and,  
FIG. 7 is a left side view of the floor jack as shown in FIG. 1.  
The broken lines in FIGS. 1-6 are for the purpose of illustrating portions of the floor jack that form no part of the claimed design.

**1 Claim, 6 Drawing Sheets**



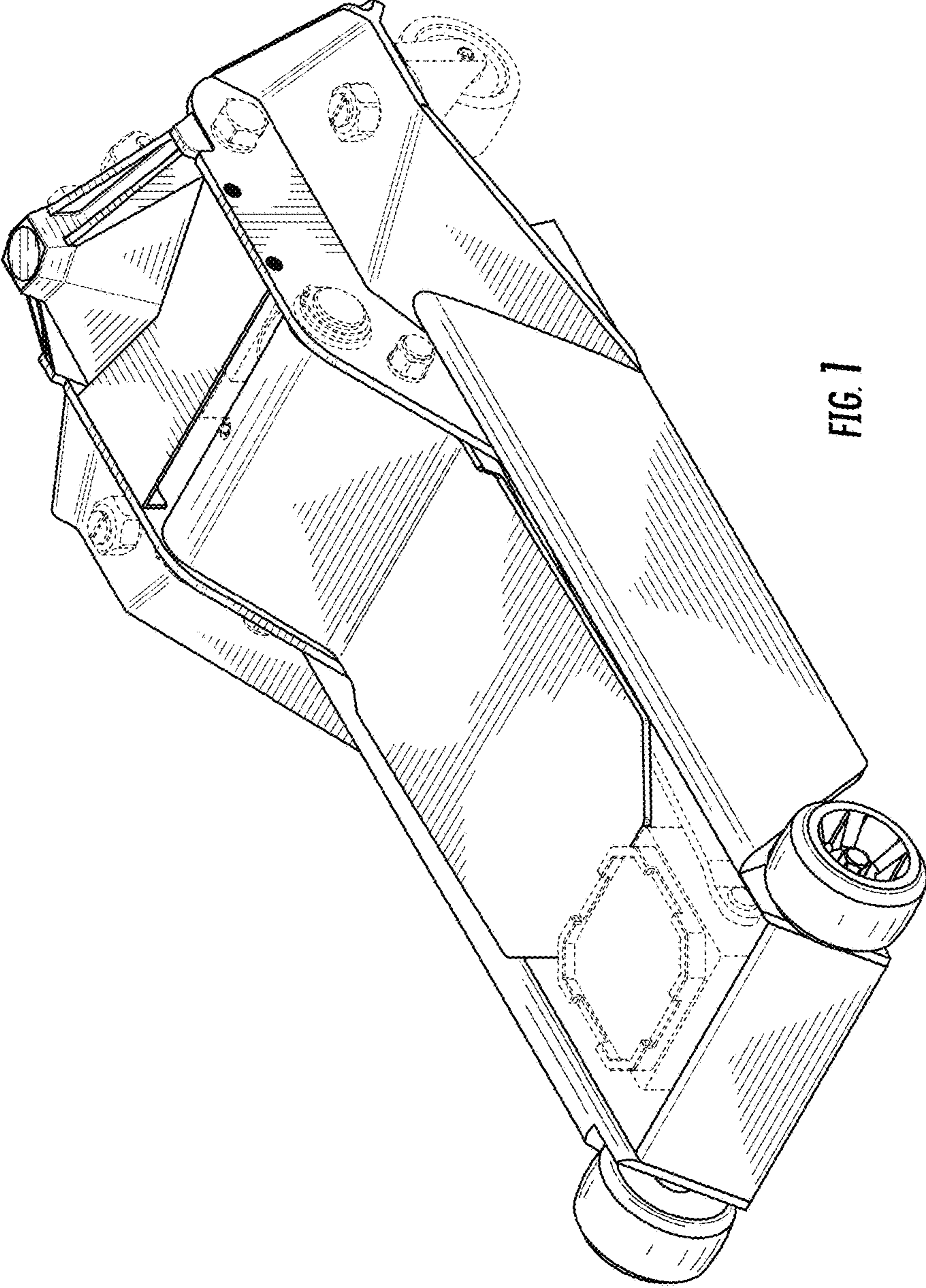
(56)

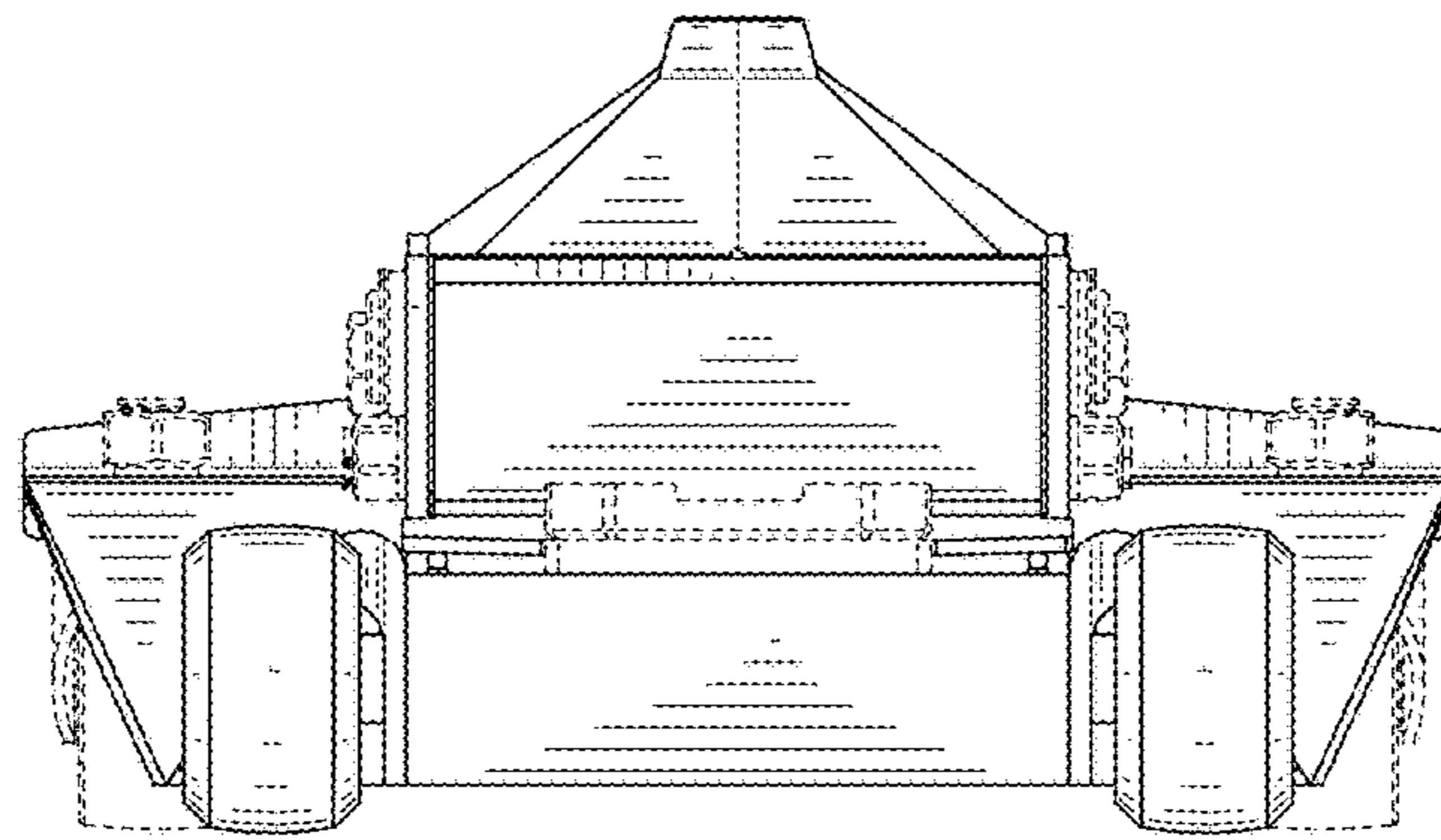
**References Cited**

U.S. PATENT DOCUMENTS

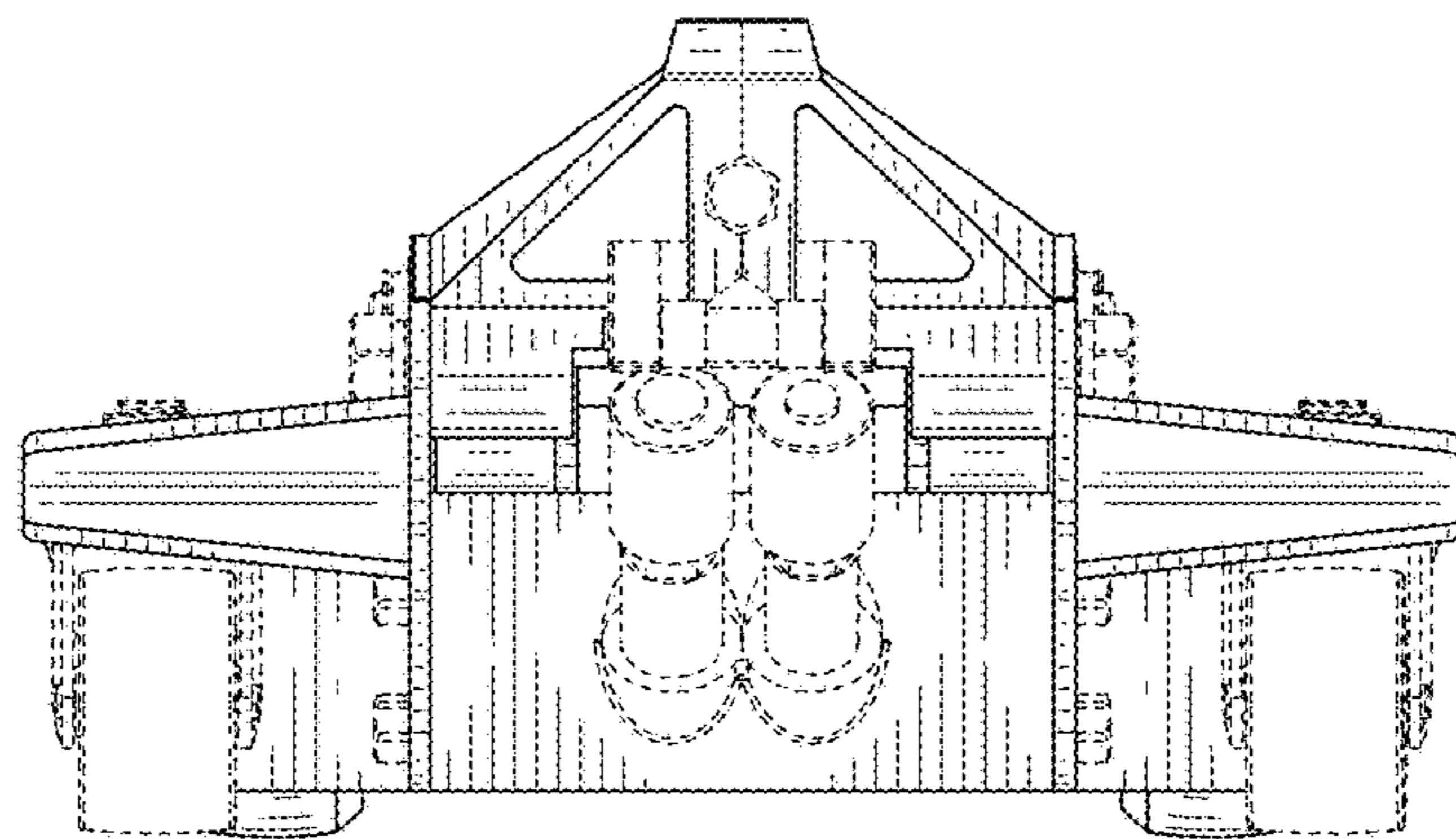
2013/0153839	A1 *	6/2013	Shen .....	B66F 5/04 254/2 B
2015/0137052	A1 *	5/2015	DeKeuster .....	B66F 5/00 254/133 R

\* cited by examiner





**FIG. 2**



**FIG. 3**

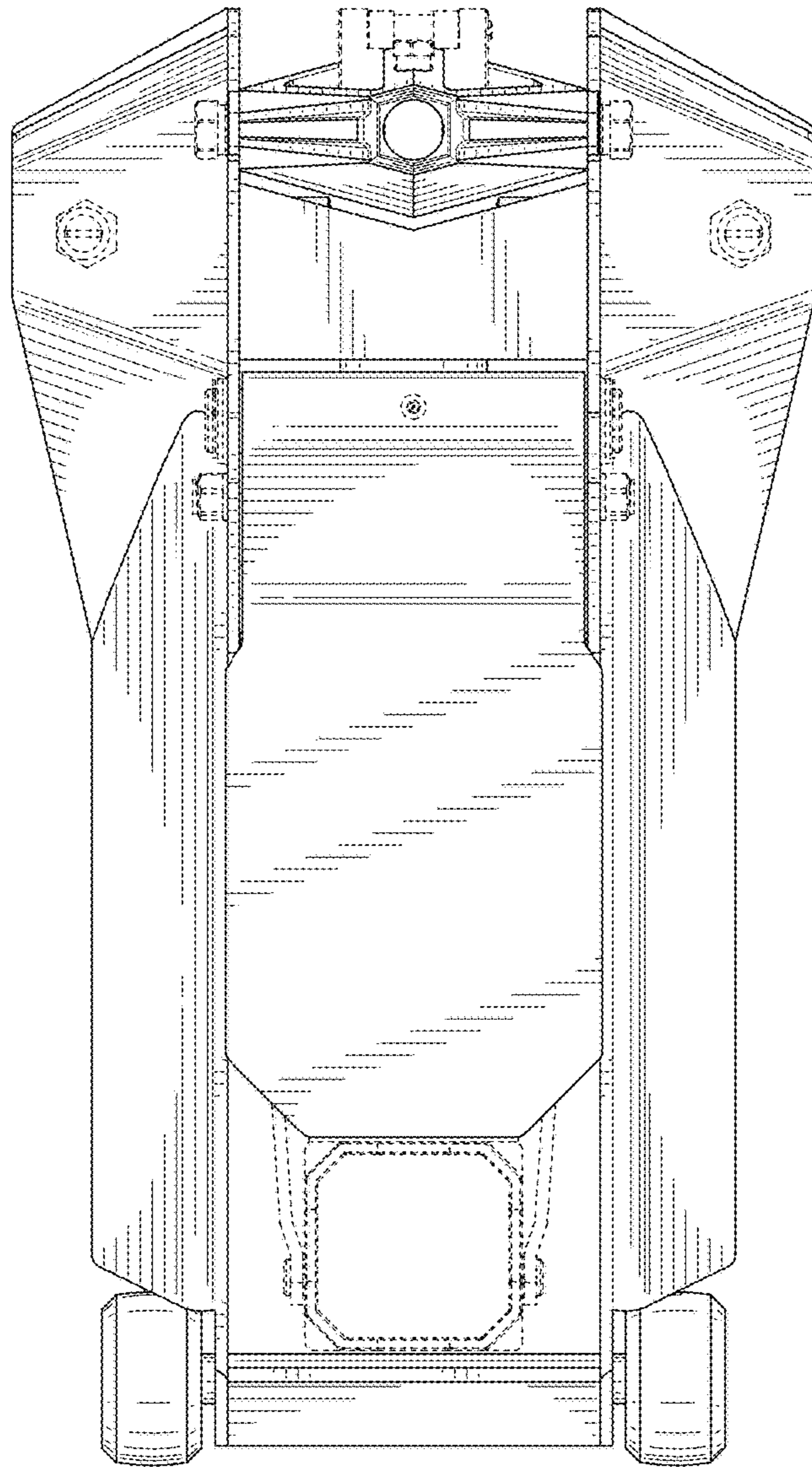


FIG. 4

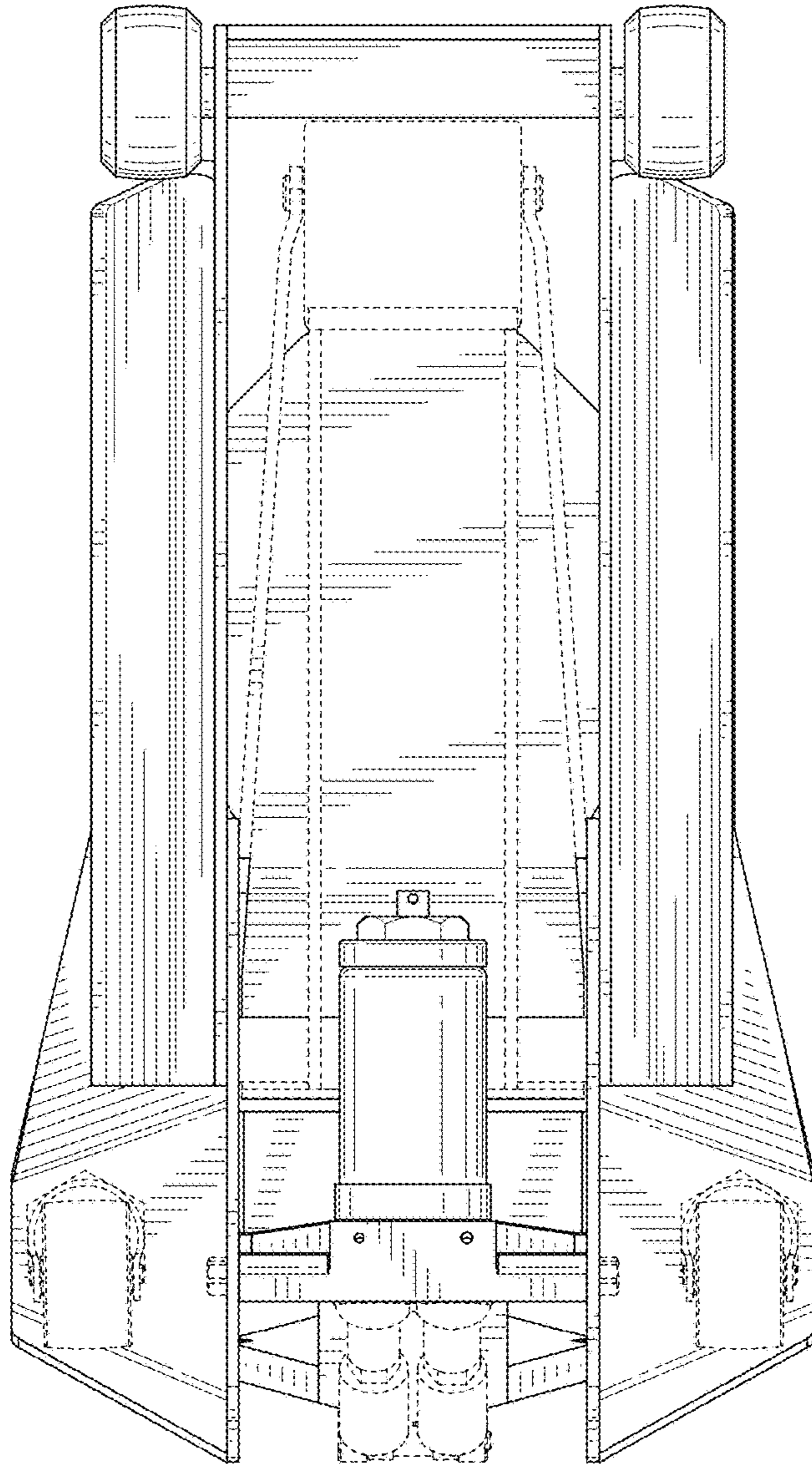


FIG. 5

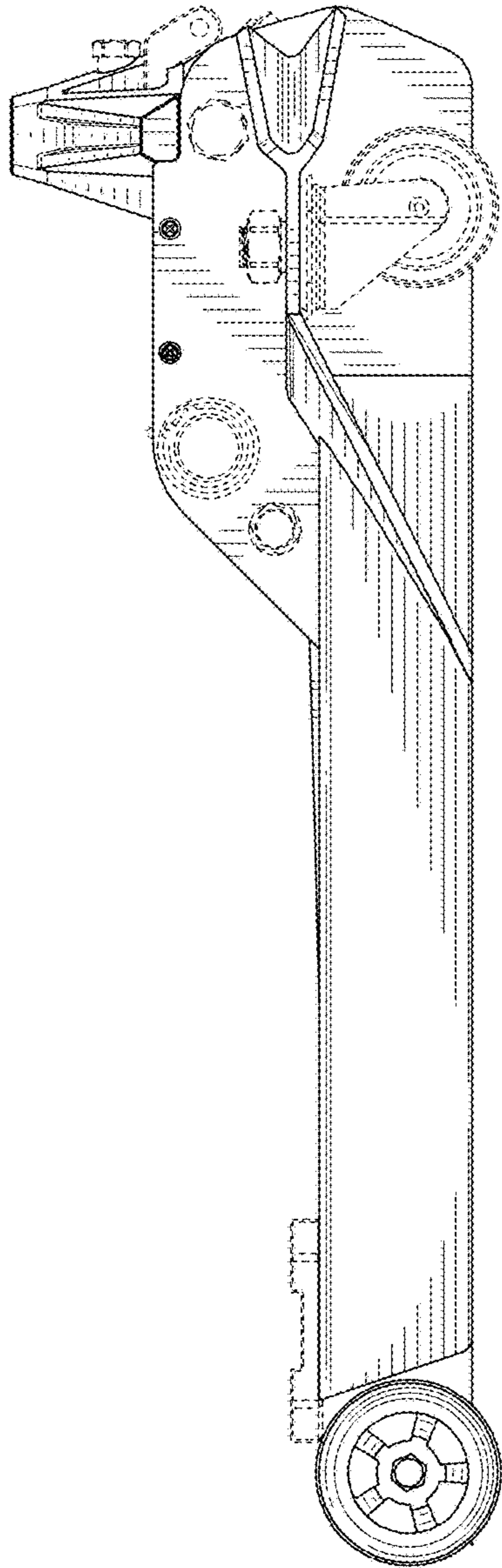


FIG. 6

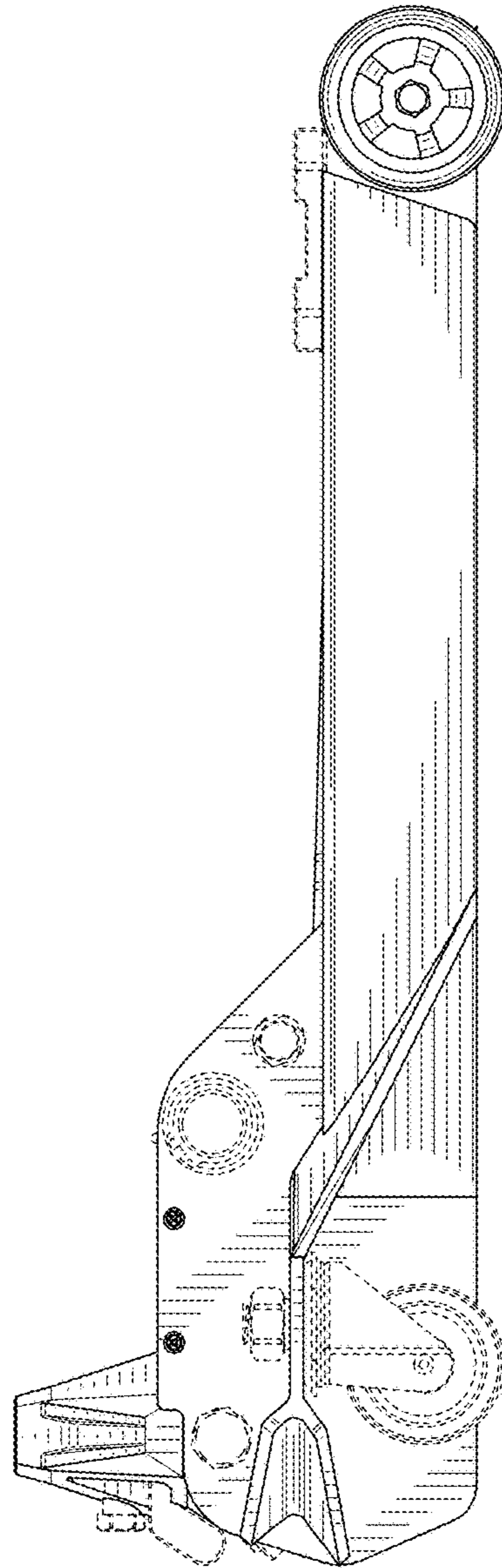


FIG. 7