



US00D863710S

(12) **United States Design Patent**  
**Stoner**

(10) **Patent No.:** **US D863,710 S**

(45) **Date of Patent:** **\*\* Oct. 15, 2019**

(54) **COMBINED TILT LOADER AND CARRIER**  
(71) Applicant: **Michael Stoner**, McMinnville, TN (US)  
(72) Inventor: **Michael Stoner**, McMinnville, TN (US)  
(\*\*) Term: **15 Years**  
(21) Appl. No.: **29/637,433**

4,948,077 A \* 8/1990 Gonzalez ..... B62B 3/002  
248/129  
5,211,124 A \* 5/1993 Reiser ..... B63C 3/06  
114/242  
5,911,556 A 6/1999 Caldwell  
6,042,327 A \* 3/2000 DeLeo ..... B60P 1/4457  
414/540  
6,059,527 A \* 5/2000 Ranken ..... B60P 1/4435  
414/540

(Continued)

(22) Filed: **Feb. 19, 2018**  
(51) **LOC (12) Cl.** ..... **12-05**  
(52) **U.S. Cl.**  
USPC ..... **D34/28**  
(58) **Field of Classification Search**  
USPC ..... 108/51.11, 51.3, 52.1, 53.1, 53.3, 53.5,  
108/54.1, 55.3, 55.5, 56.1, 56.3, 57.12,  
108/57.25, 57.29, 901; 254/3 R, 5 C, 5 R,  
254/9 B, 9 C, 124, 421, 588; 414/266,  
414/539, 540, 541, 621, 678, 785, 917,  
414/921; D34/28, 31, 33, 34, 38  
CPC .. B66F 5/02; B66F 3/24; B66F 7/0641; B66F  
7/246; B62B 3/02  
See application file for complete search history.

**OTHER PUBLICATIONS**

Hook-A-Rack web page, ATV Loader and ATV Game Hauler, dated Nov. 16, 2016 3 pages.

*Primary Examiner* — Cynthia Ramirez  
*Assistant Examiner* — Michael A Maharajh  
(74) *Attorney, Agent, or Firm* — Knox Patents; Thomas A. Kulaga

(57) **CLAIM**

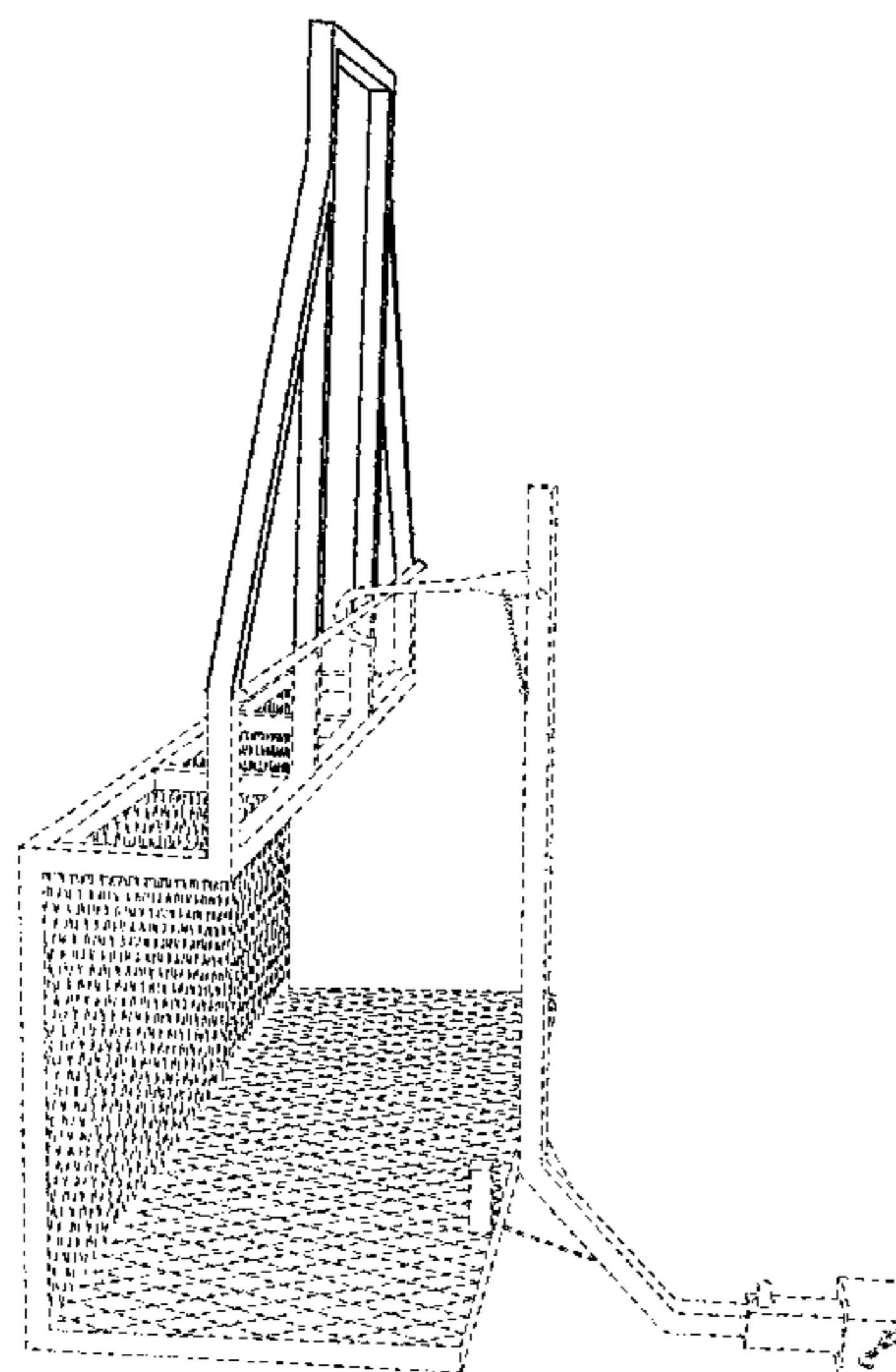
The ornamental design for a combined tilt loader and carrier, as shown and described.

**DESCRIPTION**

FIG. 1 is a rear perspective view of the combined tilt loader and carrier in a condition of use showing my new design; FIG. 2 is a another rear perspective view shown in another condition of use thereof; FIG. 3 is a front perspective view thereof. FIG. 4 is a top perspective view shown another condition of use thereof; and, FIG. 5 is a bottom rear perspective view thereof. The platform shown in broken lines are for the purposes of illustrating portions of the combined tilt loader and carrier, which form no part of the claimed design. The hitch support structure shown in broken lines are for the purpose of illustrating environmental structure, which form no part of the claimed design.

**1 Claim, 5 Drawing Sheets**

(56) **References Cited**  
U.S. PATENT DOCUMENTS  
63,037 A \* 3/1867 Green ..... B60P 1/4428  
414/541  
2,669,373 A \* 2/1954 Coit, Jr. .... B65D 19/10  
108/55.1  
3,993,207 A \* 11/1976 Jones ..... B60P 1/025  
414/495  
4,214,849 A \* 7/1980 Downing ..... B60P 1/4457  
414/921  
D273,243 S \* 3/1984 Lujan, Jr. .... D34/28  
D298,378 S \* 11/1988 Eckstedt ..... D12/1  
4,830,147 A \* 5/1989 Kawada ..... B66F 7/0666  
D34/31  
4,854,421 A \* 8/1989 Kawada ..... B66F 7/0666  
D34/31



(56)

References Cited

U.S. PATENT DOCUMENTS

6,102,647 A \* 8/2000 Yap ..... B65G 1/127  
414/467  
6,203,266 B1 \* 3/2001 Savaria ..... B60P 1/4457  
414/540  
6,435,801 B2 8/2002 Talbott  
D472,690 S \* 4/2003 Grover ..... D34/28  
6,589,004 B2 7/2003 Reed  
6,609,481 B1 8/2003 McCarty  
6,638,001 B1 10/2003 McKinley  
D518,269 S \* 3/2006 Henshaw ..... D34/28  
7,185,911 B1 \* 3/2007 Leverett ..... B60D 1/481  
280/47.371  
7,293,680 B1 11/2007 Wawerski  
7,293,951 B2 11/2007 Meeks  
7,296,959 B2 11/2007 Davis  
7,918,165 B2 \* 4/2011 Owen ..... B65D 19/385  
108/55.1  
7,926,618 B2 \* 4/2011 Zuercher ..... B60P 1/4471  
187/200

D653,833 S \* 2/2012 Thompson ..... D34/28  
D672,523 S \* 12/2012 Taylor ..... D34/28  
8,398,358 B2 \* 3/2013 L'Ecuyer ..... B60R 5/04  
414/541  
8,562,279 B2 \* 10/2013 Beck ..... A61G 3/067  
414/546  
D703,906 S \* 4/2014 Gann ..... D34/28  
8,783,419 B2 \* 7/2014 Zuercher ..... B66B 9/0853  
187/200  
8,807,283 B2 \* 8/2014 Shell ..... B66B 9/0869  
414/921  
D751,787 S \* 3/2016 Taylor ..... D34/28  
D751,788 S \* 3/2016 Taylor ..... D34/28  
D787,771 S \* 5/2017 Shugen ..... D34/28  
D841,276 S \* 2/2019 Lehmann ..... D34/28  
D844,278 S \* 3/2019 Iotti ..... D34/28  
2004/0163567 A1 \* 8/2004 Eldridge ..... E01B 29/24  
104/17.1  
2006/0104767 A1 5/2006 Dugger et al.  
2018/0162708 A1 \* 6/2018 Pithoud ..... B66F 11/042

\* cited by examiner

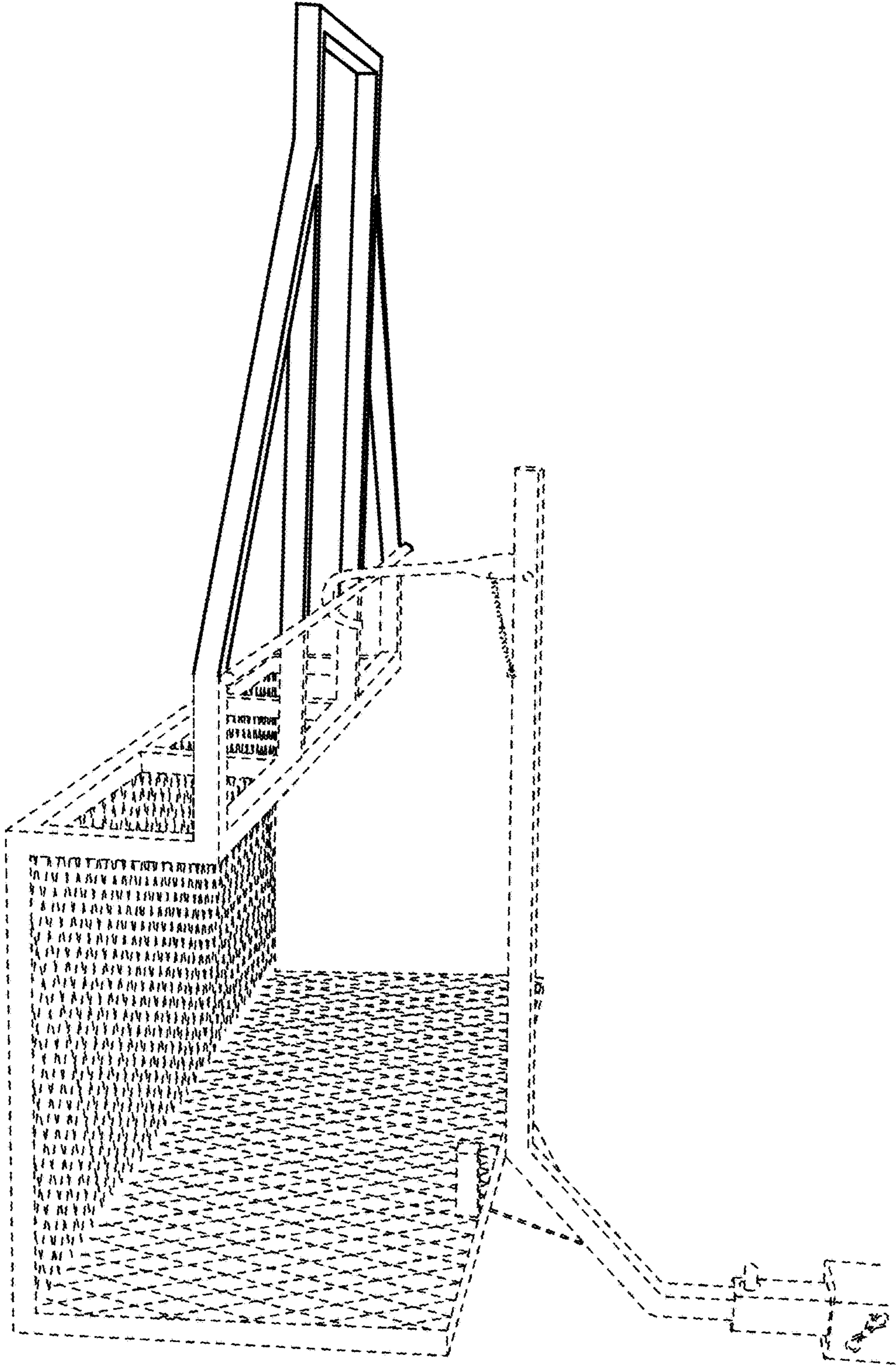


Fig. 1



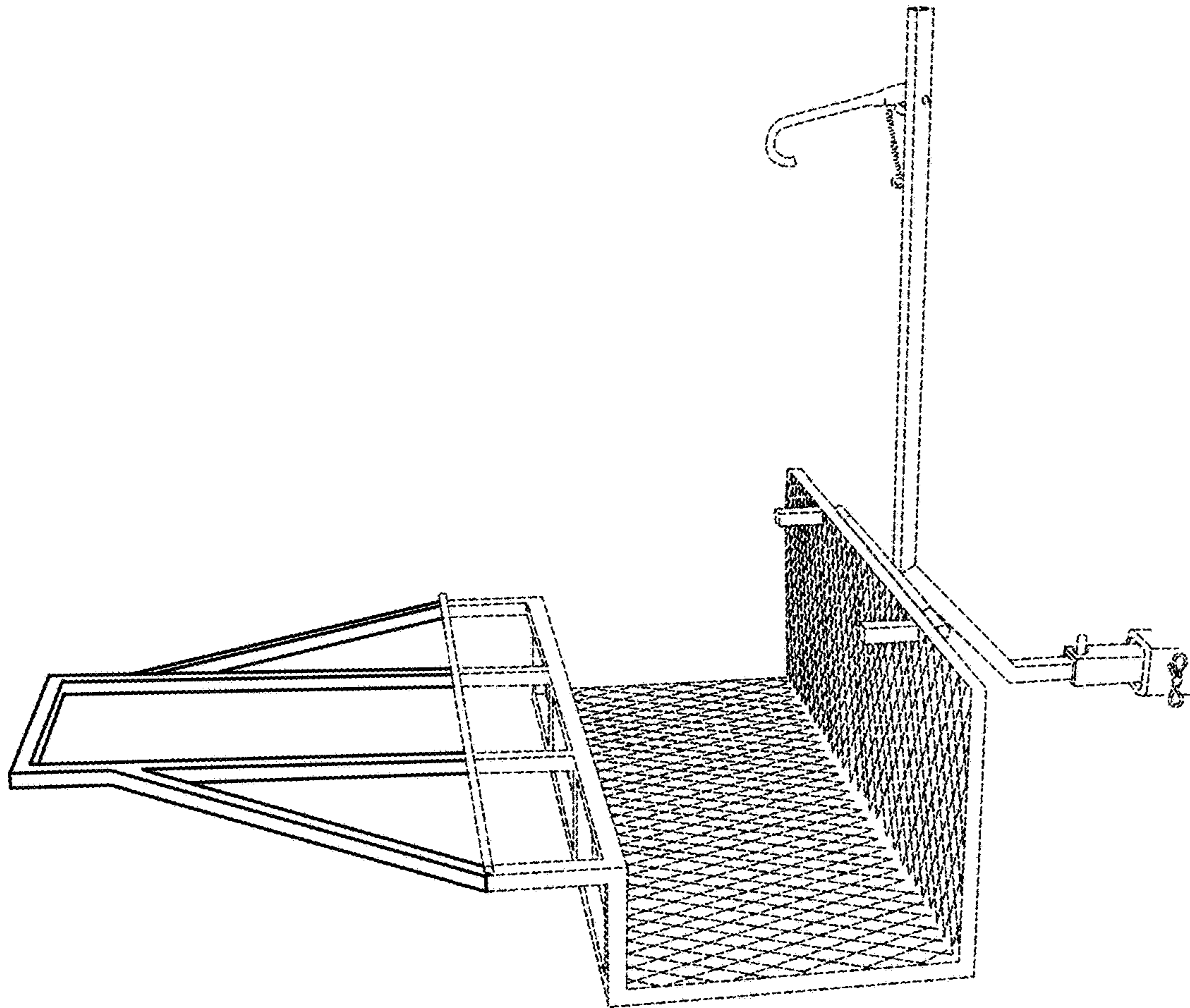


Fig. 2

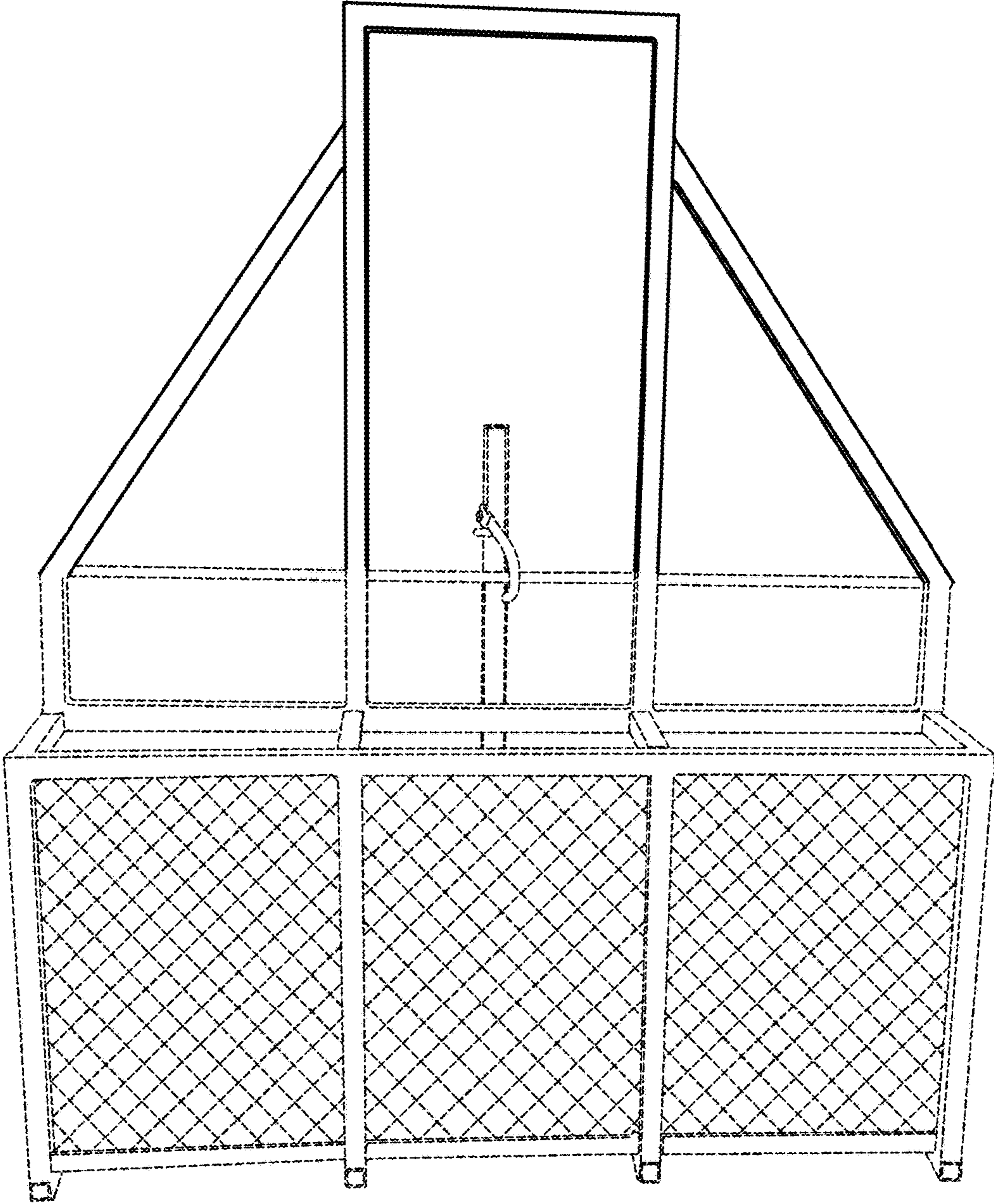


Fig. 3

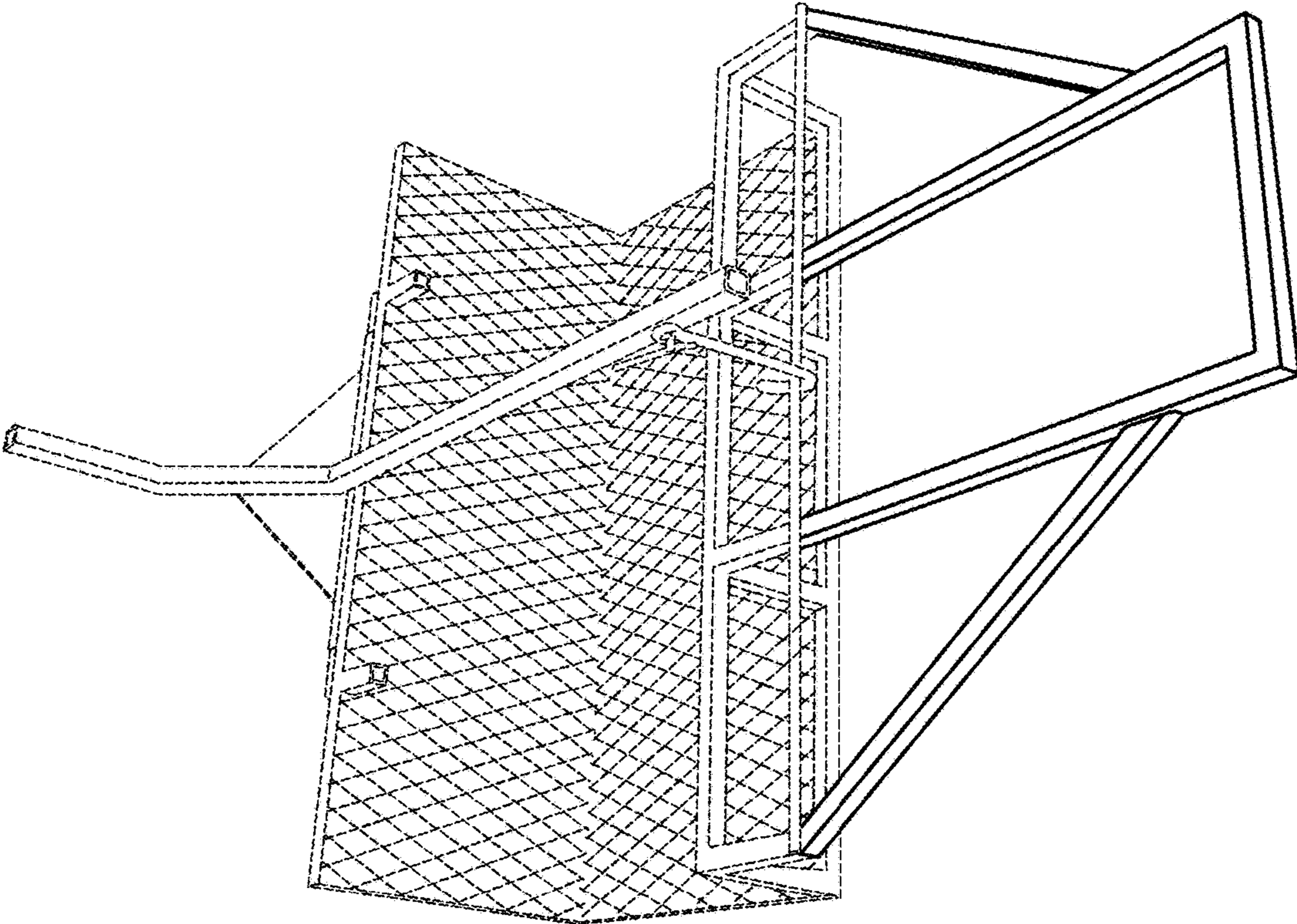


Fig. 4



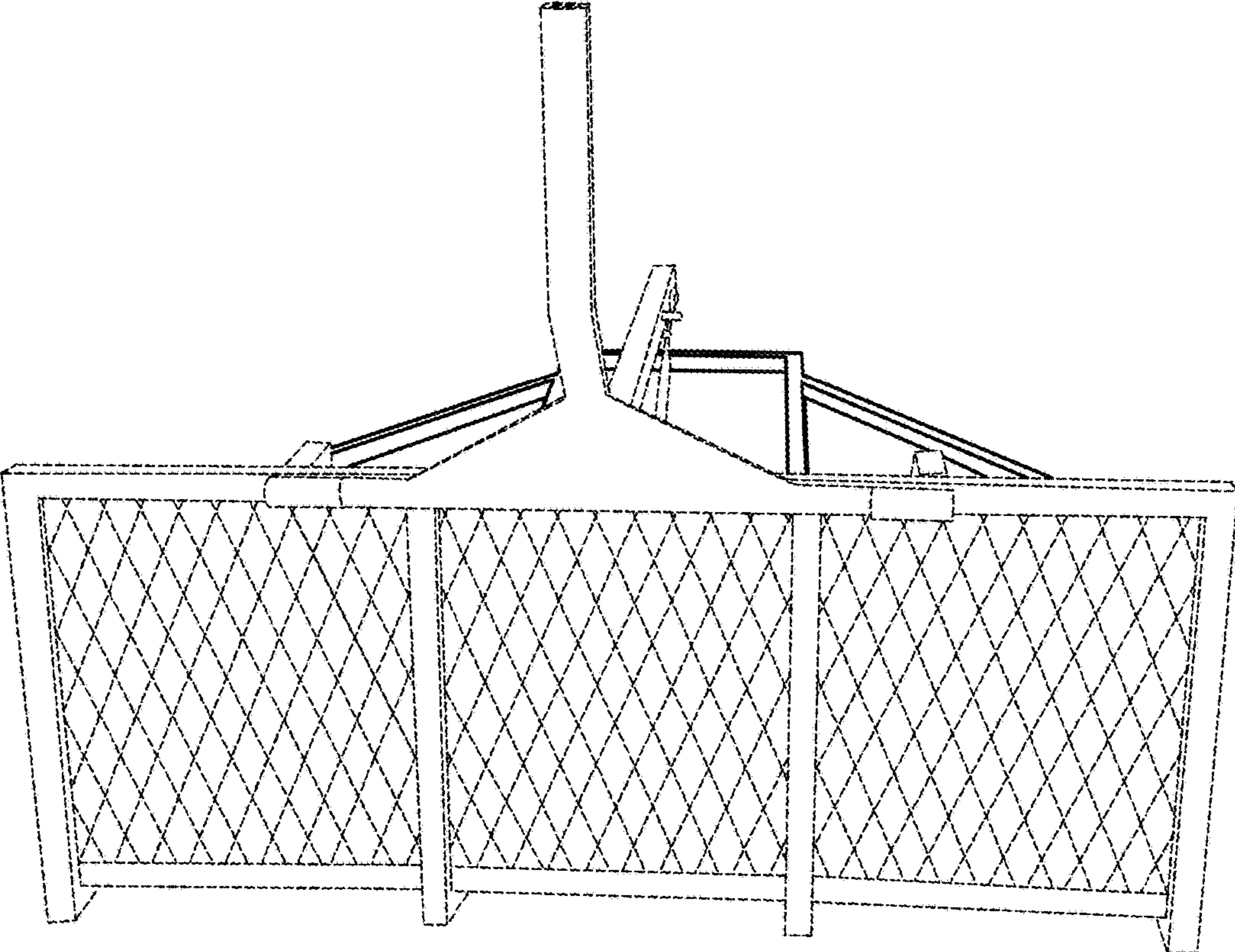


Fig. 5