

US00D863704S

(12) **United States Design Patent**
Bruneel

(10) **Patent No.:** **US D863,704 S**

(45) **Date of Patent:** **** Oct. 15, 2019**

(54) **POOL CLEANER HEAD**

(71) Applicant: **Kokido Development Limited,**
Kowloon (HK)

(72) Inventor: **Jean Julien Bruneel,** Kowloon (HK)

(**) Term: **15 Years**

(21) Appl. No.: **29/637,093**

(22) Filed: **Feb. 13, 2018**

(30) **Foreign Application Priority Data**

Aug. 16, 2017 (EP) 004150647-0002

(51) **LOC (12) Cl.** **15-05**

(52) **U.S. Cl.**
USPC **D32/33**

(58) **Field of Classification Search**

USPC 15/1.7; 210/416.2, 167.16, 167.15;
D32/18, 21, 32-33

CPC ... E04H 4/1609; E04H 4/1654; E04H 4/1663;
E04H 4/1672; E04H 4/169; E04H 4/1636

See application file for complete search history.

(56) **References Cited**

U.S. PATENT DOCUMENTS

- D208,851 S * 10/1967 Lindberg, Jr. D32/33
- D271,816 S * 12/1983 Price D32/32
- D373,230 S * 8/1996 Sebor D32/21
- D488,600 S * 4/2004 Pecci D32/32

- D581,607 S * 11/2008 van der Meijden D32/15
- D605,370 S * 12/2009 Kellogg D32/21
- D611,664 S * 3/2010 Sebor D32/15
- D629,982 S * 12/2010 Rossano D32/33
- D644,799 S * 9/2011 Bruneel D32/21
- D681,897 S * 5/2013 Bruneel D32/33
- D713,110 S * 9/2014 Erlich D32/33
- D754,938 S * 4/2016 Bruneel D32/33
- 10,079,504 B2 * 9/2018 Hui H02S 10/40

* cited by examiner

Primary Examiner — Ruth McInroy

(74) *Attorney, Agent, or Firm* — George G. Wang; Bei & Ocean

(57) **CLAIM**

The ornamental design for a pool cleaner head, as shown and described.

DESCRIPTION

FIG. 1 is a front view of a pool cleaner head showing my new design;

FIG. 2 is a rear view thereof;

FIG. 3 is a left side view thereof;

FIG. 4 is a right side view thereof;

FIG. 5 is a top view thereof; and,

FIG. 6 is a top perspective view thereof.

The details shown in broken lines form no part of the claimed design.

1 Claim, 6 Drawing Sheets

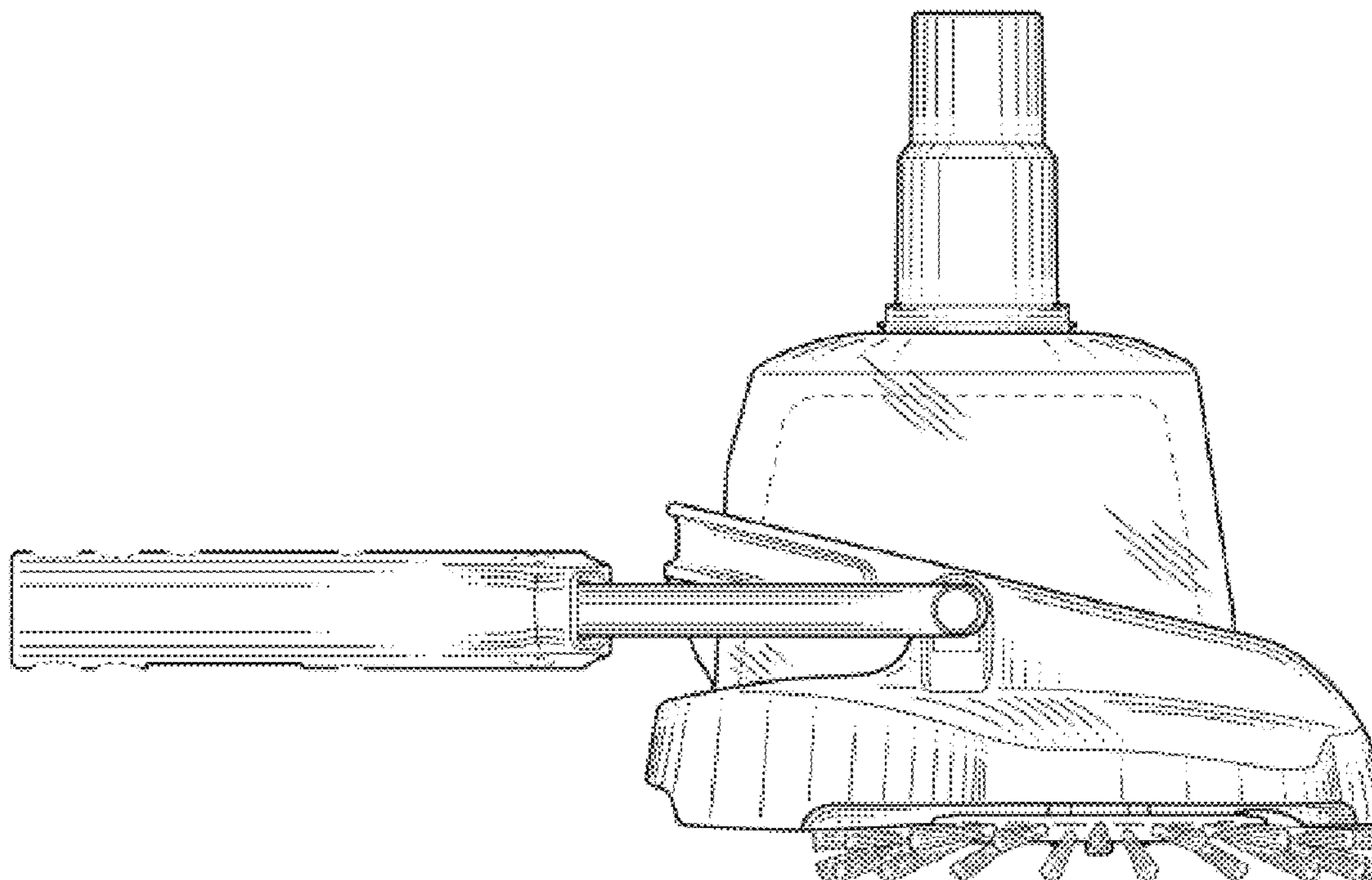


FIG. 1

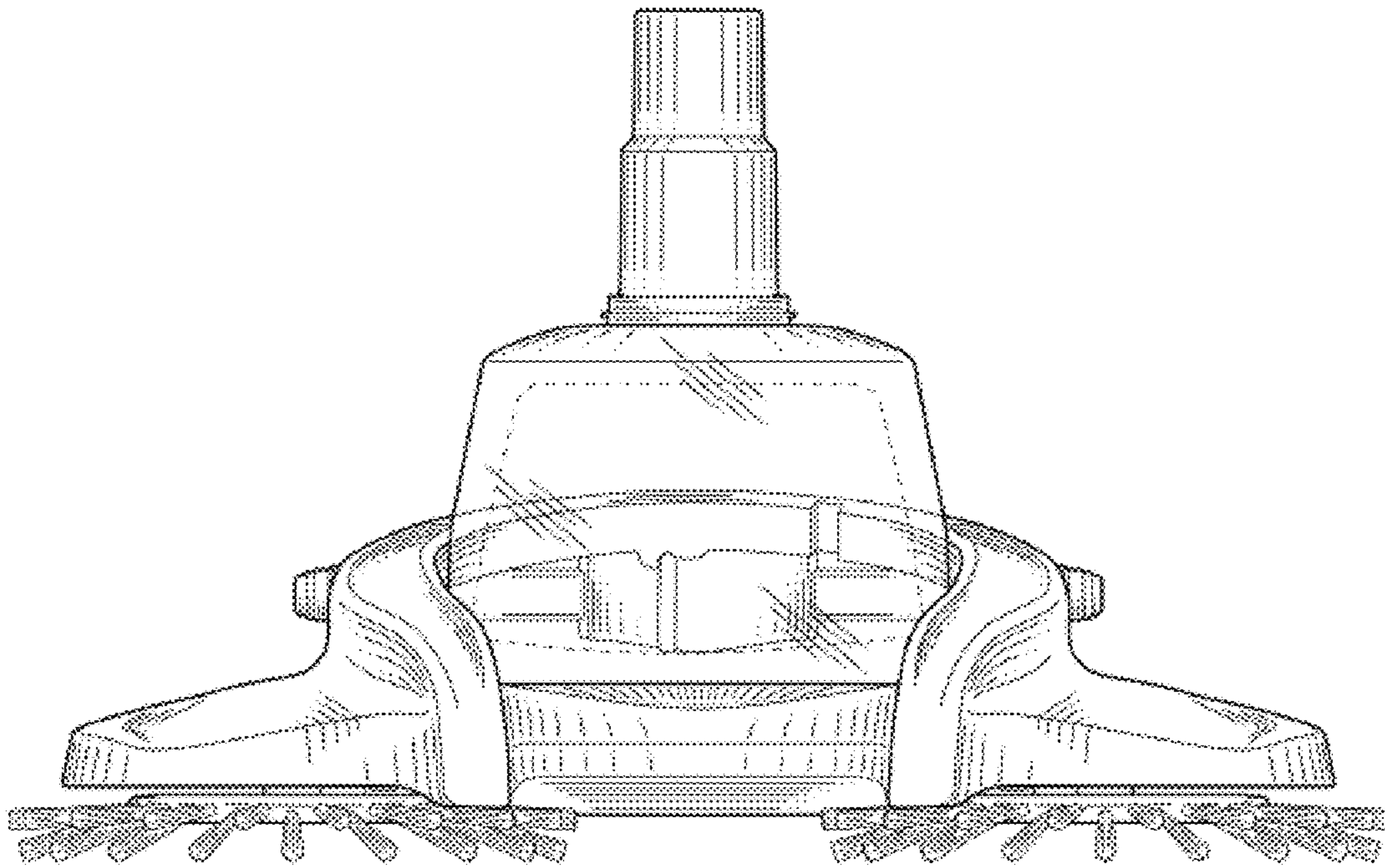


FIG. 2

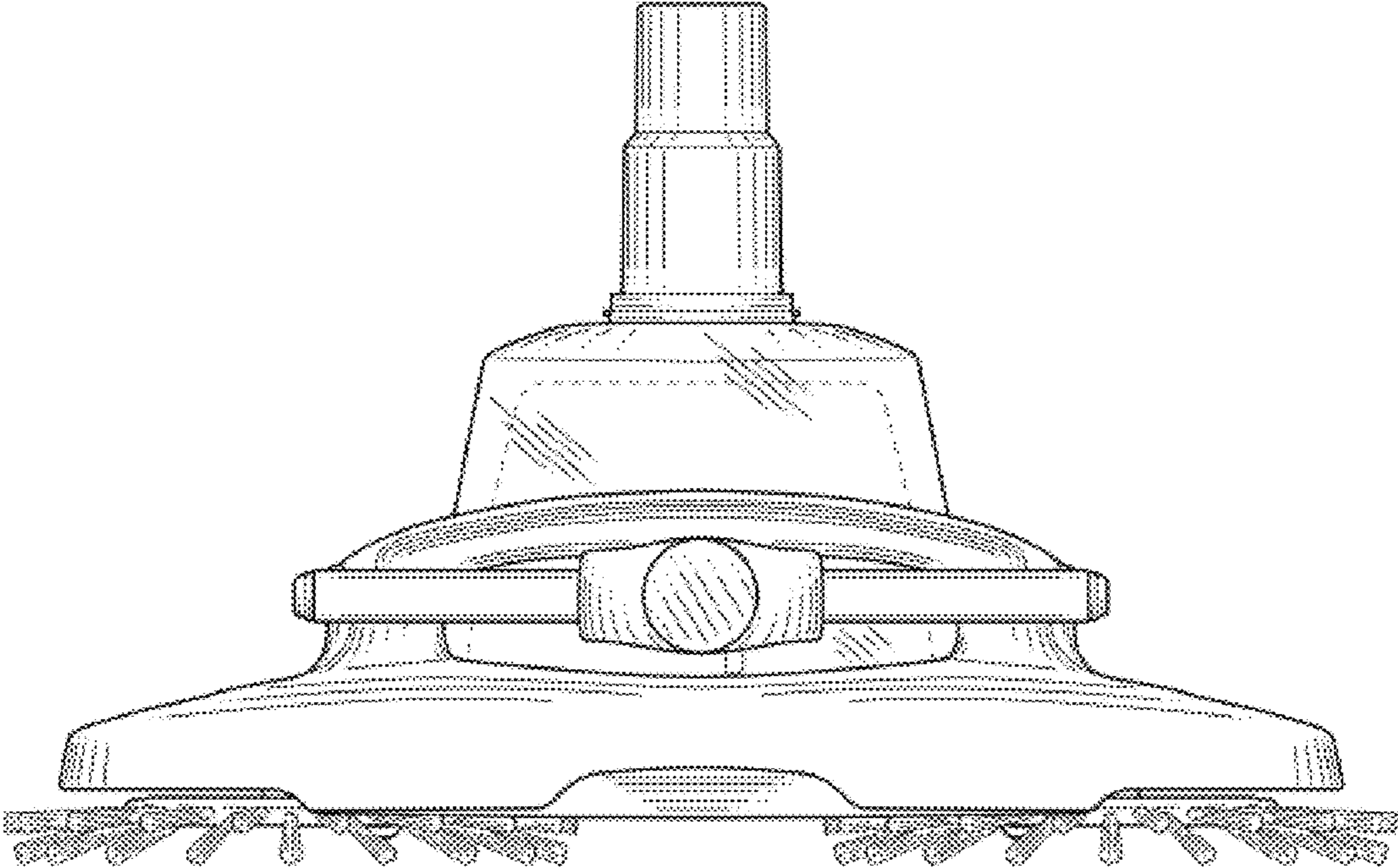


FIG. 3

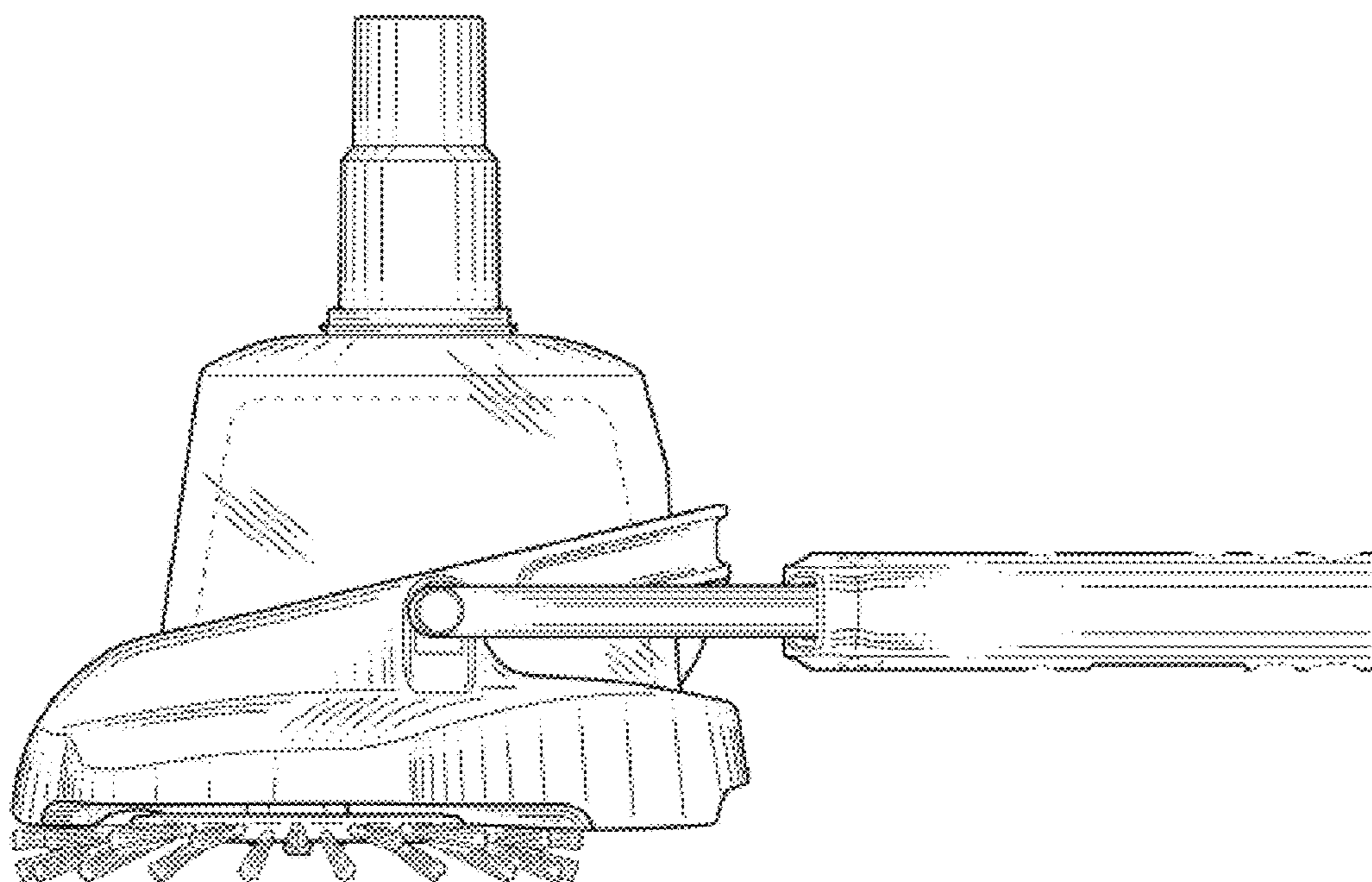


FIG. 4

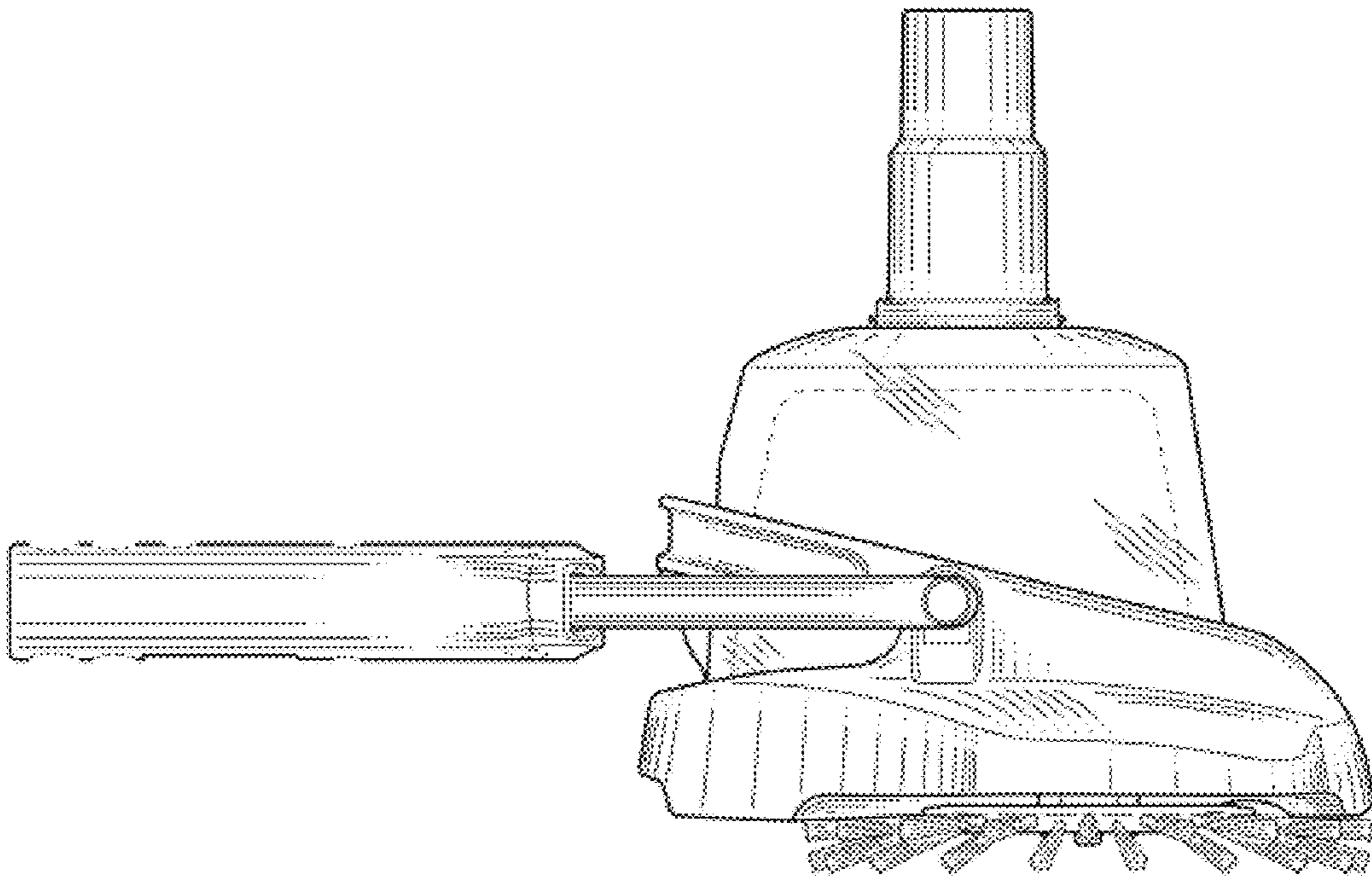


FIG. 5

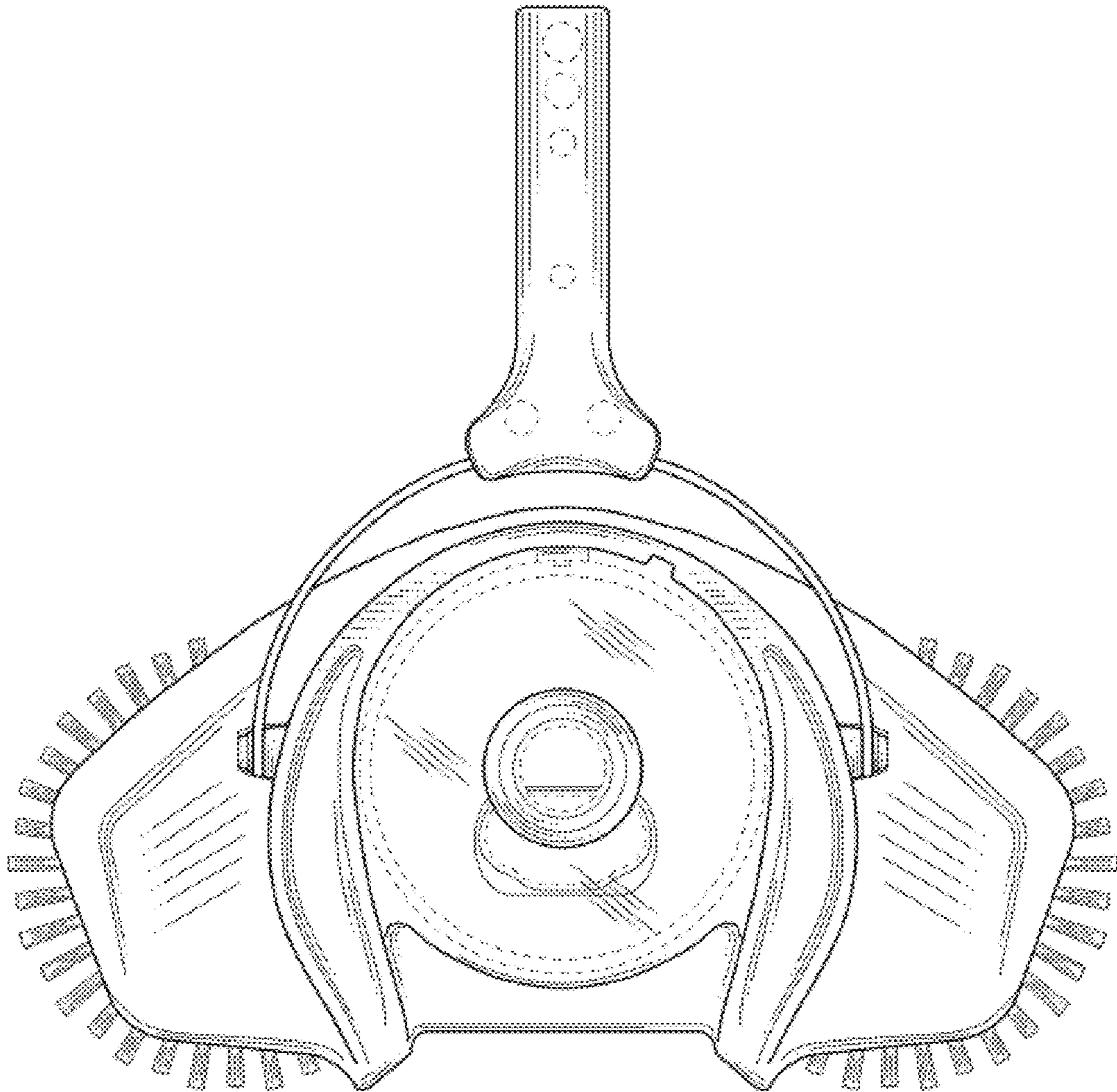


FIG. 6

