



US00D863703S

(12) **United States Design Patent**  
**Wang**

(10) **Patent No.:** **US D863,703 S**  
(45) **Date of Patent:** **\*\* Oct. 15, 2019**

(54) **ACCESSORY HOLDER FOR VACUUM CLEANER**

(71) Applicant: **Hao Wang**, Guangzhou (CN)

(72) Inventor: **Hao Wang**, Guangzhou (CN)

(\*\*) Term: **15 Years**

(21) Appl. No.: **29/697,164**

(22) Filed: **Jul. 4, 2019**

(51) **LOC (12) Cl.** ..... **15-05**

(52) **U.S. Cl.**  
USPC ..... **D32/31**

(58) **Field of Classification Search**  
USPC ..... D32/31, 25; D6/553, 569, 570; 15/323  
CPC ..... A47L 9/00; A47L 9/0018; A47L 9/0027;  
A47L 9/0036; A47L 9/0045  
See application file for complete search history.

(56) **References Cited**

**U.S. PATENT DOCUMENTS**

- 3,872,538 A \* 3/1975 Crouser ..... A47L 9/0027  
15/323
- D272,572 S \* 2/1984 Parise ..... D32/31
- D294,755 S \* 3/1988 Lackner ..... D32/31
- D295,334 S \* 4/1988 Fonville ..... D32/31
- D295,910 S \* 5/1988 Hill ..... D32/31
- D308,267 S \* 5/1990 Bradd ..... D13/108
- 5,071,012 A \* 12/1991 Jailor ..... A47L 9/0009  
15/323
- D329,511 S \* 9/1992 McKnight ..... D32/25
- D354,380 S \* 1/1995 Stephens ..... D32/31
- D357,562 S \* 4/1995 Chumley ..... D32/31
- D363,163 S \* 10/1995 Funatsu ..... D3/315
- 5,528,794 A \* 6/1996 Tomasiak ..... A47L 9/0009  
15/323
- D374,523 S \* 10/1996 Tomasiak ..... D32/31
- D391,703 S \* 3/1998 Miller ..... D32/22
- 5,943,731 A \* 8/1999 Wood ..... A47L 9/0018  
15/323
- 5,954,863 A \* 9/1999 Loveless ..... A47L 5/365  
15/353

- D422,764 S \* 4/2000 Wood ..... D32/31
- 6,058,558 A \* 5/2000 Kim ..... A47L 9/0045  
15/323
- D434,886 S \* 12/2000 Wareham ..... D32/31
- D435,152 S \* 12/2000 Stephens ..... D32/31
- D444,603 S 7/2001 Murphy et al.
- D447,609 S \* 9/2001 Hult ..... D32/31

(Continued)

**OTHER PUBLICATIONS**

LANMU Docks Station Accessory Holder for Dyson V6 Vacuum. Retrieved from Internet: [www.amazon.com/LANMU-Station-Accessory-Attachments-Organizer/dp/B07TP5GDHC/ref=sr\\_1\\_17\\_sspa?keywords=dyson+vacuum+cleaner+tool+holder&qid=1565283128&s=gateway&sr=8-17-spons&psc=1](http://www.amazon.com/LANMU-Station-Accessory-Attachments-Organizer/dp/B07TP5GDHC/ref=sr_1_17_sspa?keywords=dyson+vacuum+cleaner+tool+holder&qid=1565283128&s=gateway&sr=8-17-spons&psc=1). Retrieved on Aug. 8, 2019. (Year: 1996).\*

(Continued)

*Primary Examiner* — Ruth McInroy  
(74) *Attorney, Agent, or Firm* — KA Filing LLC; Wayne V. Harper

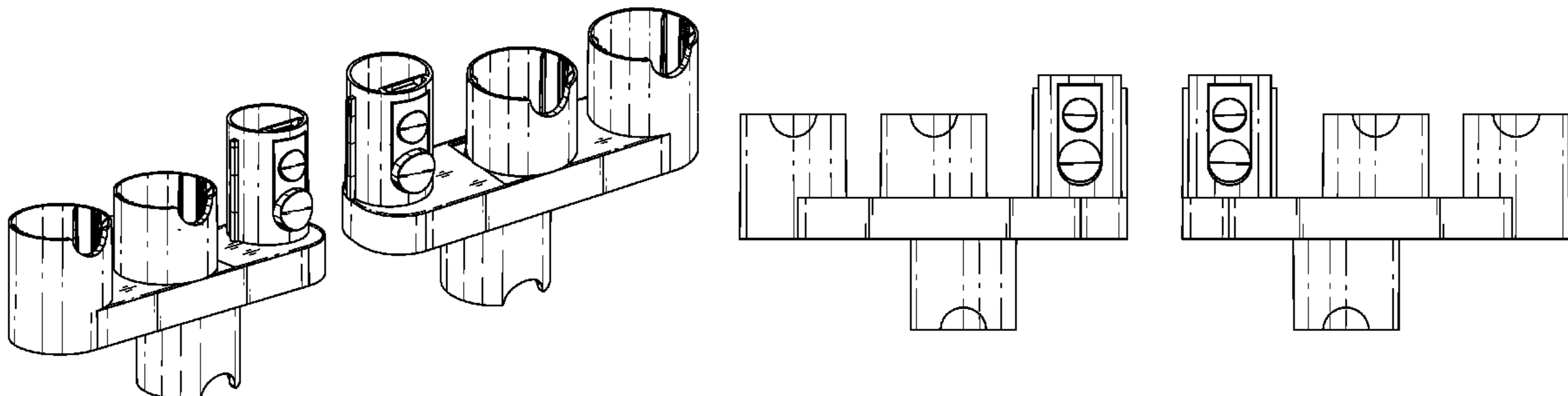
(57) **CLAIM**

I claim the ornamental design for an accessory holder for vacuum cleaner, as shown and described.

**DESCRIPTION**

FIG. 1 is a perspective view of an accessory holder for vacuum cleaner showing my new design;  
FIG. 2 is a left-side view thereof;  
FIG. 3 is a right-side view thereof;  
FIG. 4 is a top view thereof;  
FIG. 5 is a bottom view thereof;  
FIG. 6 is a front view thereof;  
FIG. 7 is a rear view thereof; and,  
FIG. 8 is a front view thereof; shown attached to the vacuum cleaner shown in broken lines which forms no part of the claimed design.

**1 Claim, 7 Drawing Sheets**



(56)

References Cited

U.S. PATENT DOCUMENTS

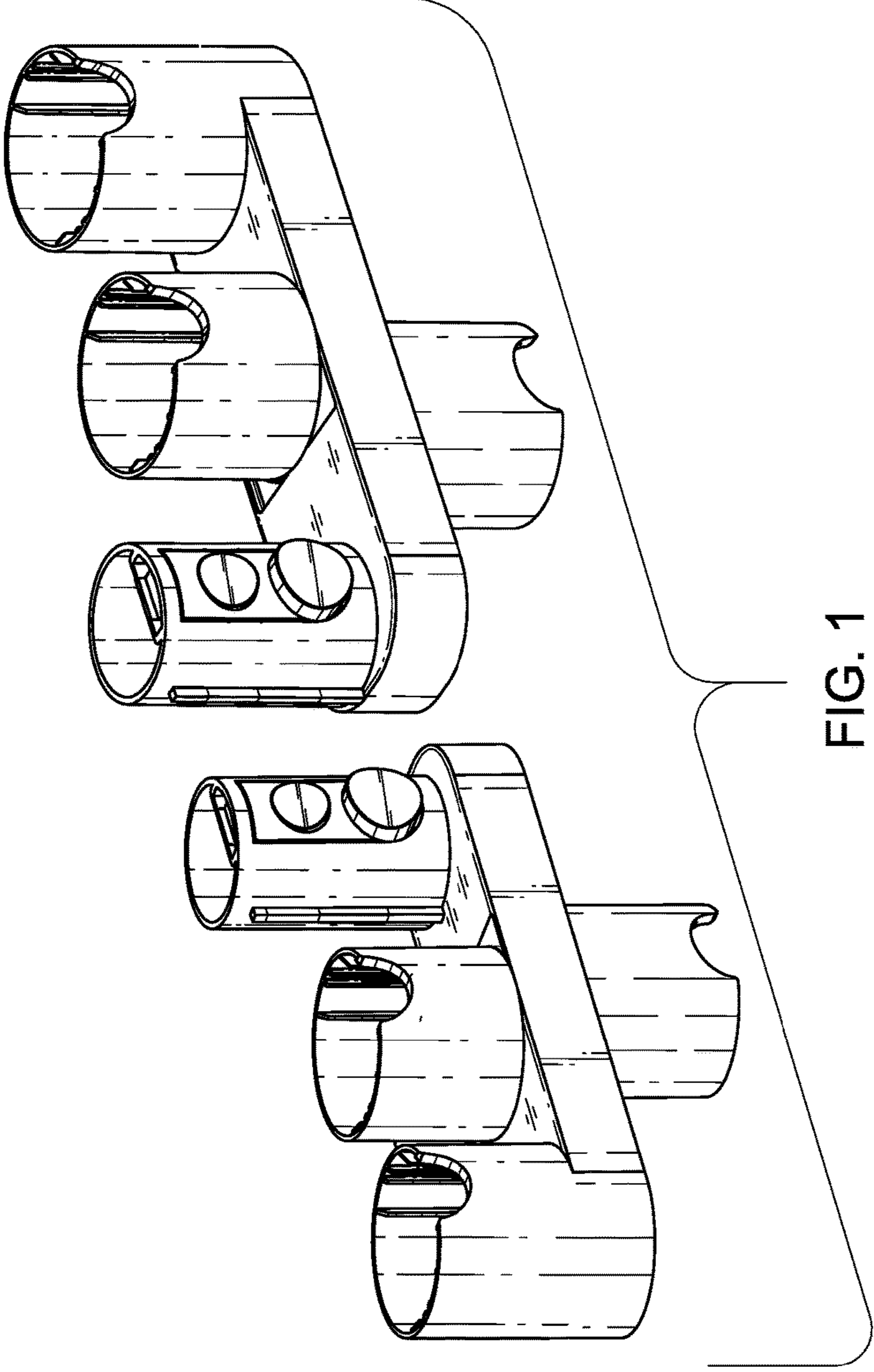
6,345,407 B1 \* 2/2002 Jupp ..... A47L 9/0009  
15/323  
D463,079 S \* 9/2002 Leyden ..... D32/31  
D469,228 S \* 1/2003 Wareham ..... D32/31  
6,543,085 B2 \* 4/2003 Holsten ..... A47L 9/327  
15/327.2  
D487,536 S 3/2004 Aagren  
7,284,297 B2 \* 10/2007 Shanor ..... A47L 9/0018  
15/246.2  
D564,819 S \* 3/2008 Fosburg ..... D6/569  
D567,560 S \* 4/2008 Byers ..... D6/553  
D623,367 S \* 9/2010 Gottschall ..... D32/31  
D657,101 S \* 4/2012 Williams ..... D32/23  
D666,369 S \* 8/2012 Williams ..... D32/23  
8,522,394 B2 \* 9/2013 Lee ..... A47L 9/0036  
15/323  
D713,109 S \* 9/2014 Seasholtz ..... D32/31  
8,826,490 B1 \* 9/2014 Giarmo ..... A47L 5/00  
15/323  
8,955,234 B2 \* 2/2015 Williams ..... F26B 23/04  
211/85.7  
D731,206 S \* 6/2015 Beebe ..... D6/553  
D731,810 S \* 6/2015 Beebe ..... D6/553  
9,167,942 B1 \* 10/2015 Seasholtz ..... A47L 9/0027  
D743,655 S \* 11/2015 Holsten ..... D32/31  
D762,335 S \* 7/2016 Fry ..... D32/31  
10,194,779 B2 \* 2/2019 Kim ..... A47L 5/225

2002/0138937 A1 \* 10/2002 Griffin ..... A47L 9/26  
15/323  
2003/0024067 A1 \* 2/2003 Roney ..... A47L 9/0009  
15/323  
2004/0098822 A1 \* 5/2004 Martinez ..... A47L 5/365  
15/323  
2004/0188570 A1 \* 9/2004 Bauer ..... F16L 3/223  
248/68.1

OTHER PUBLICATIONS

LANMU Docks Station Accessory Holder Attachments Organizer Compatible With Dyson V11 V10 V8 V7 Cordless Stick Vacuum Cleaner, Wall Mount Accessories for Dyson Vacuums, [https://www.amazon.com/LANMU-Accessory-Attachments-Compatible-Accessories/dp/B07GVJMBZV/ref=cm\\_cr\\_arp\\_d\\_product\\_top?ie=UTF8](https://www.amazon.com/LANMU-Accessory-Attachments-Compatible-Accessories/dp/B07GVJMBZV/ref=cm_cr_arp_d_product_top?ie=UTF8).  
LANMU Adapter Converter Set for Dyson V7 V8, Replacement for Dyson Vacuum Cleaner Attachments, Attachment Holder for Dyson V7 V8 Vacuum Cleaner (2 Pack Gray), [https://www.amazon.co.uk/dp/B07GZBRVM2?ref=myi\\_title\\_dp](https://www.amazon.co.uk/dp/B07GZBRVM2?ref=myi_title_dp).  
Zubehör Halter Organizer Dockingstation Kompatibel Mit Dyson V11 V10 V8 V7 Staubsauger Zubehörteile Halterung (2 Stück), [https://www.amazon.de/dp/B07KF3JFJK?ref=myi\\_title\\_dp](https://www.amazon.de/dp/B07KF3JFJK?ref=myi_title_dp).  
Docks Station Stand Holder for Dyson V11 V10 V8 V7 Cordless Stick Vacuum Cleaner, <https://www.ebay.com/itm/382617673350>.

\* cited by examiner



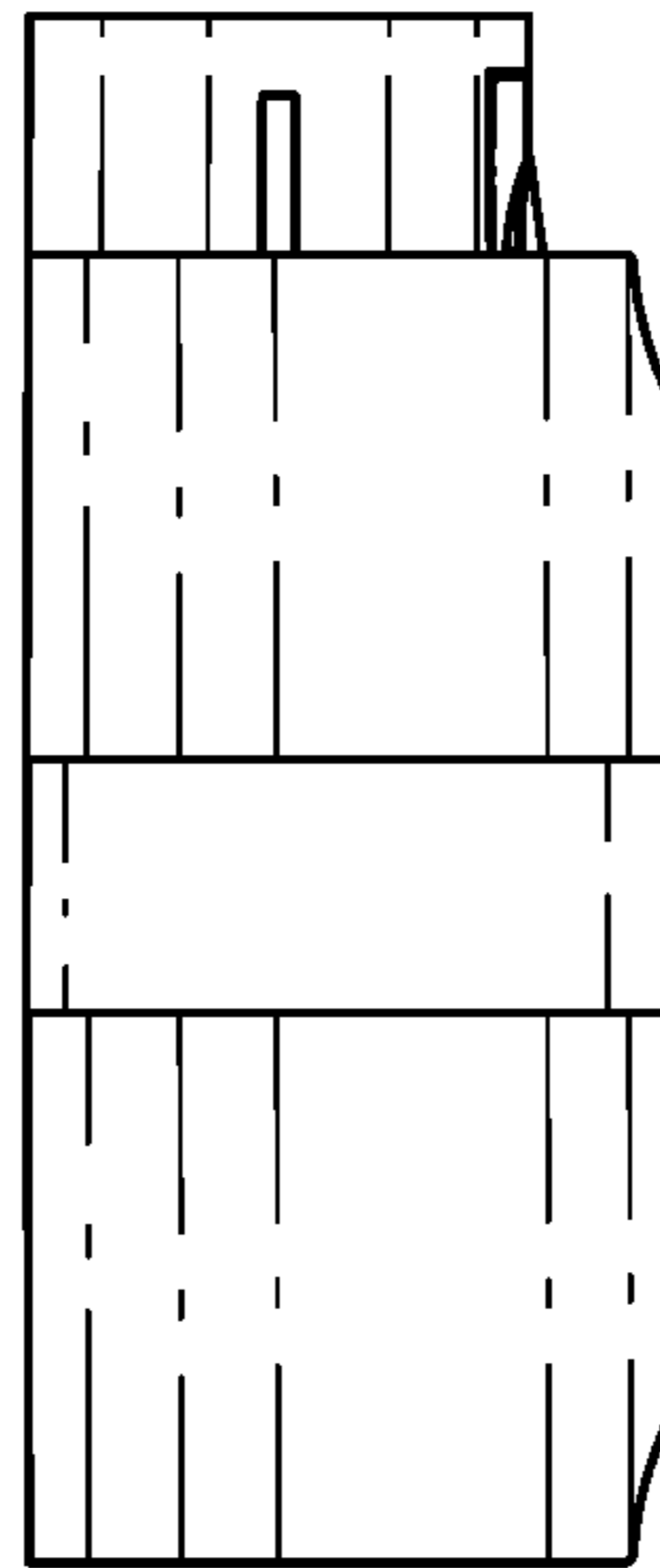


FIG. 2



FIG. 3

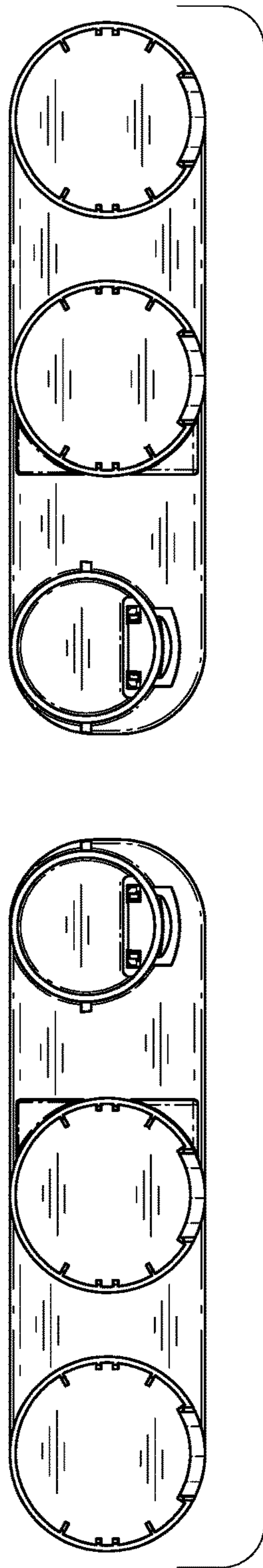


FIG. 4

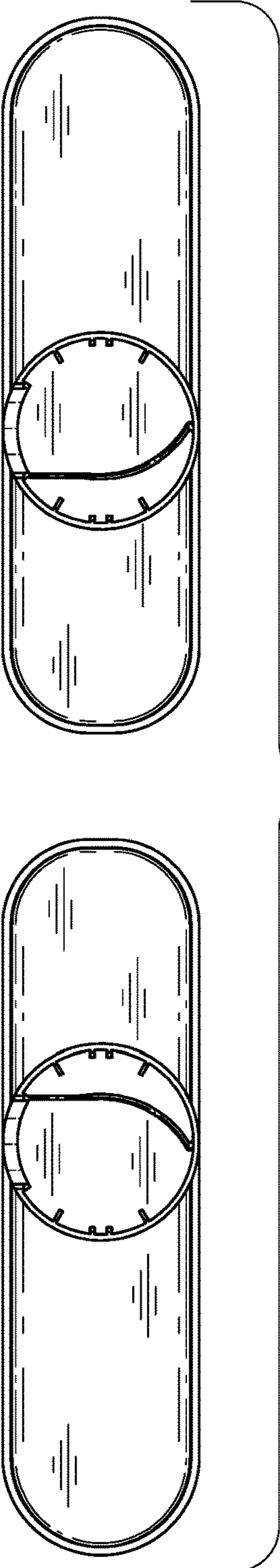


FIG. 5

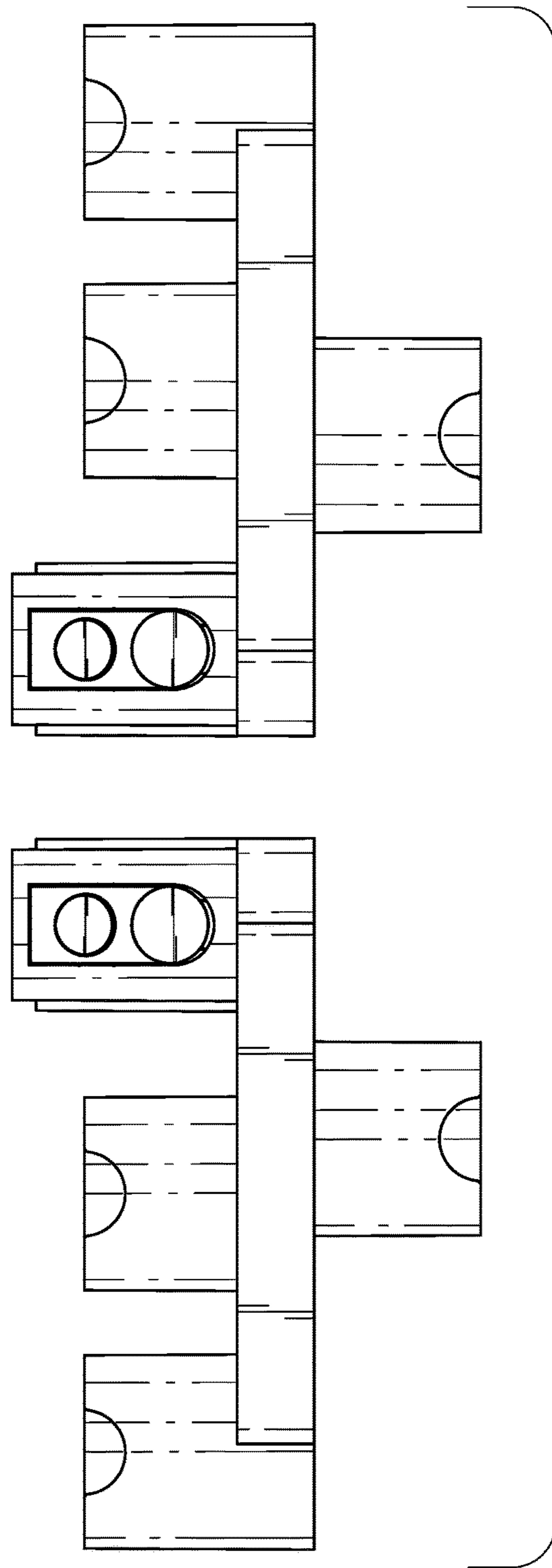


FIG. 6

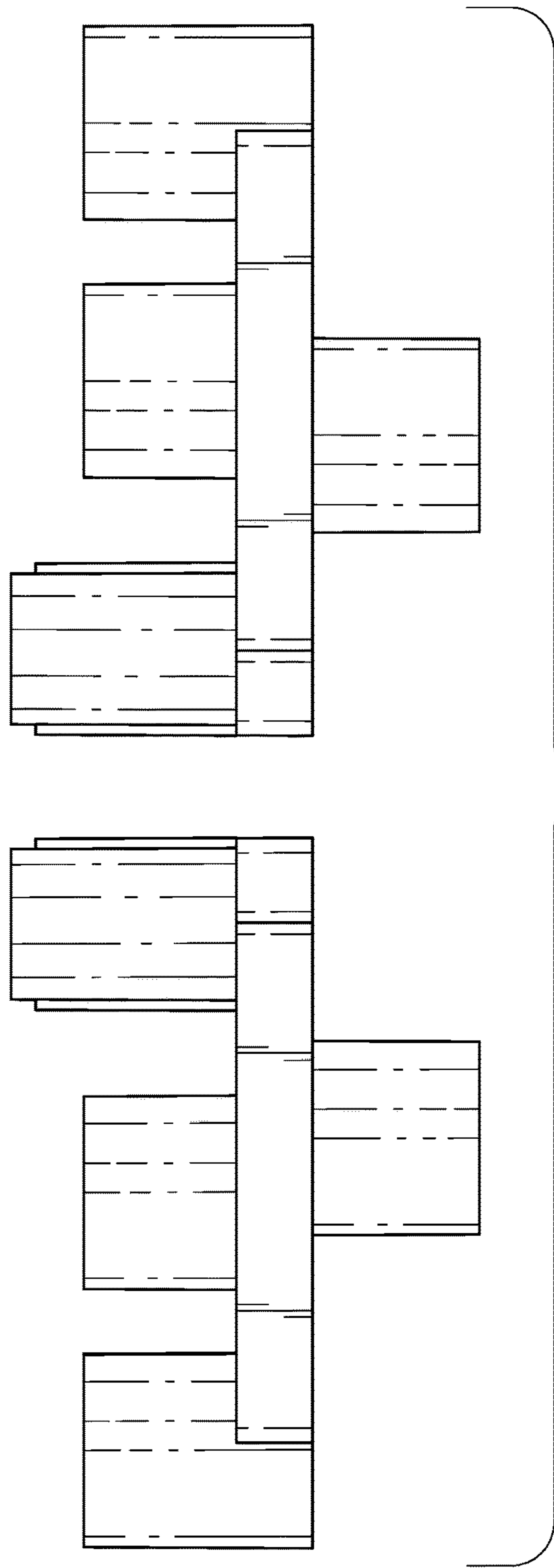


FIG. 7



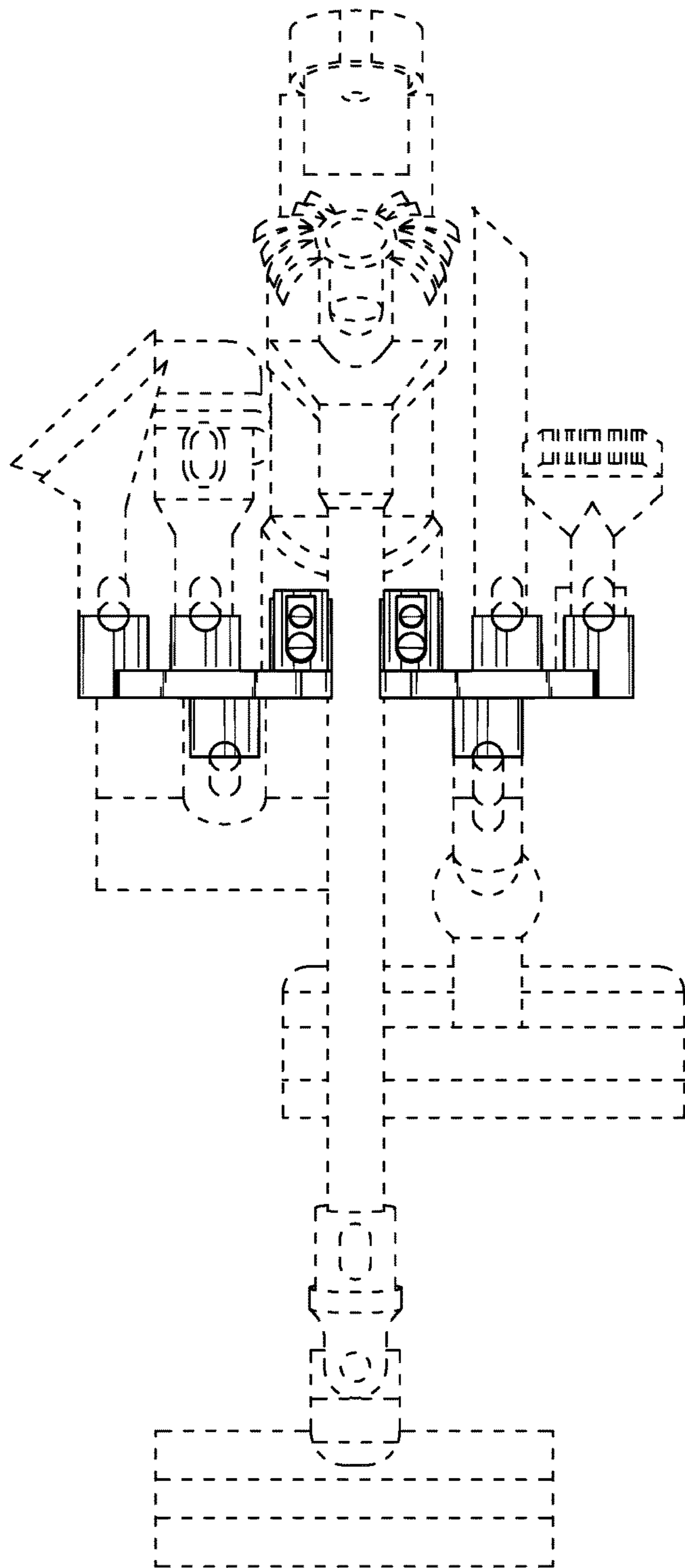


FIG. 8