

US00D863702S

(12) **United States Design Patent** (10) **Patent No.:** **US D863,702 S**  
**Wordie et al.** (45) **Date of Patent:** **\*\* Oct. 15, 2019**

(54) **VACUUM CLEANER TOOL**  
(71) Applicant: **Dyson Technology Limited**, Wiltshire (GB)  
(72) Inventors: **Timothy Ewan Ross Wordie**, Bristol (GB); **Alexander John Canning**, Swindon (GB)  
(73) Assignee: **Dyson Technology Limited**, Malmesbury, Wiltshire (GB)  
(\*\*) Term: **15 Years**  
(21) Appl. No.: **29/650,837**  
(22) Filed: **Jun. 11, 2018**

(30) **Foreign Application Priority Data**  
Dec. 12, 2017 (EM) ..... 004544427-0001  
(51) **LOC (12) Cl.** ..... **15-05**  
(52) **U.S. Cl.**  
USPC ..... **D32/31**  
(58) **Field of Classification Search**  
USPC ..... D32/17, 18, 22, 31-33  
CPC ... A47L 5/24; A47L 5/362; A47L 5/36; A47L 5/28; A47L 9/102; A47L 9/1683; B01D 50/002  
See application file for complete search history.

(56) **References Cited**  
U.S. PATENT DOCUMENTS  
D147,125 S \* 7/1947 Harvuot ..... 15/415.1  
D158,774 S \* 5/1950 Lippincott ..... 15/415.1  
D303,026 S \* 8/1989 Kilakis ..... D32/32  
D375,822 S \* 11/1996 Lessig, III ..... D32/15  
D405,570 S \* 2/1999 Broecking ..... D32/32

6,003,199 A \* 12/1999 Shaffer ..... A47L 5/14 15/405  
D509,332 S \* 9/2005 White ..... D32/32  
D513,101 S \* 12/2005 Allard ..... D32/32  
D526,102 S \* 8/2006 Adams ..... D32/32  
D652,188 S \* 1/2012 Escobar ..... D32/32  
D658,832 S \* 5/2012 Eden ..... D32/32  
D659,923 S \* 5/2012 Dyson ..... D32/33  
D666,373 S \* 8/2012 Eden ..... D32/32  
8,533,907 B2 \* 9/2013 Eccardt ..... A47L 9/02 138/122  
D714,005 S \* 9/2014 McGurk ..... D32/32  
D733,376 S \* 6/2015 Bennett ..... D32/32  
D742,085 S \* 10/2015 Bennett ..... D32/33  
D764,125 S \* 8/2016 Palladino ..... D32/33  
D796,135 S \* 8/2017 Yoon ..... D32/32  
D809,230 S \* 1/2018 Bowen ..... D32/31

\* cited by examiner

*Primary Examiner* — Ruth McInroy  
(74) *Attorney, Agent, or Firm* — Morrison & Foerster LLP

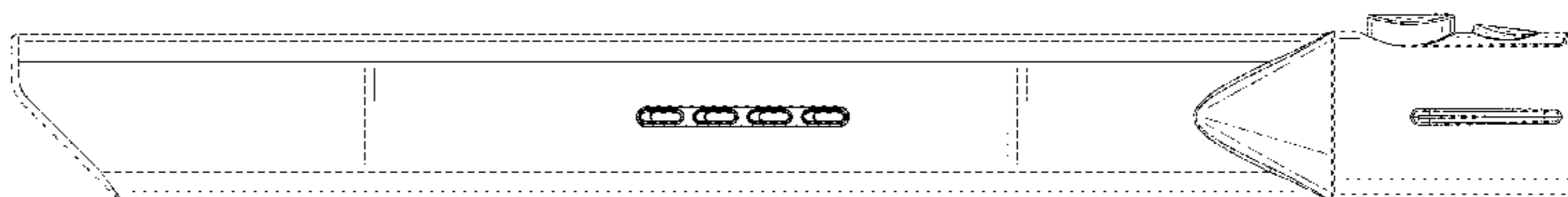
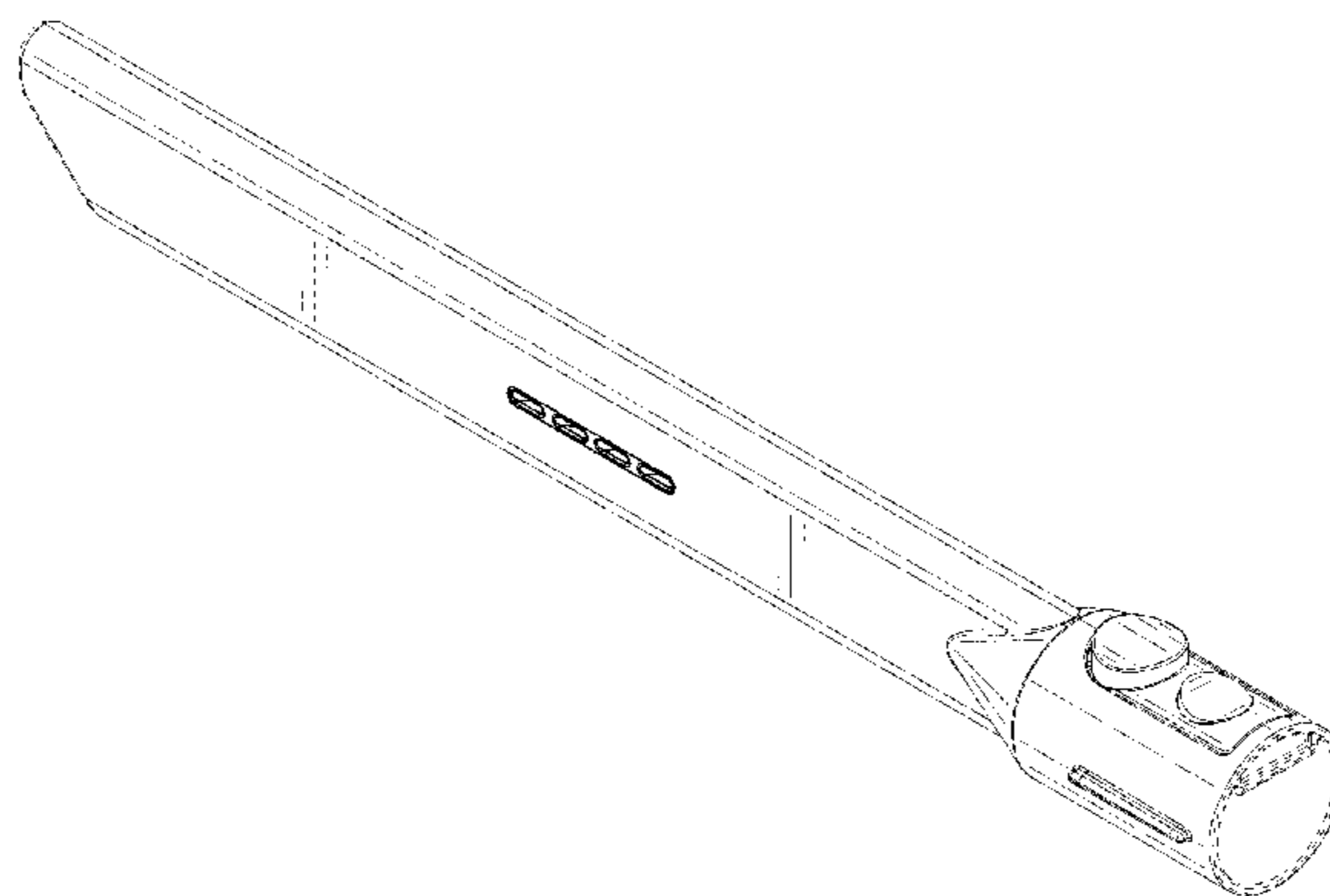
(57) **CLAIM**

We claim the ornamental design for a vacuum cleaner tool, as shown and described.

**DESCRIPTION**

FIG. 1 is a top perspective view of a vacuum cleaner tool showing our new design;  
FIG. 2 is a rear view thereof;  
FIG. 3 is a front view thereof;  
FIG. 4 is a side view thereof;  
FIG. 5 is a side view of the opposite side of FIG. 4;  
FIG. 6 is a top view thereof; and,  
FIG. 7 is a bottom view thereof.  
The broken lines shown in the drawings illustrate portions of a vacuum cleaner tool that form no part of the claimed design.

**1 Claim, 4 Drawing Sheets**



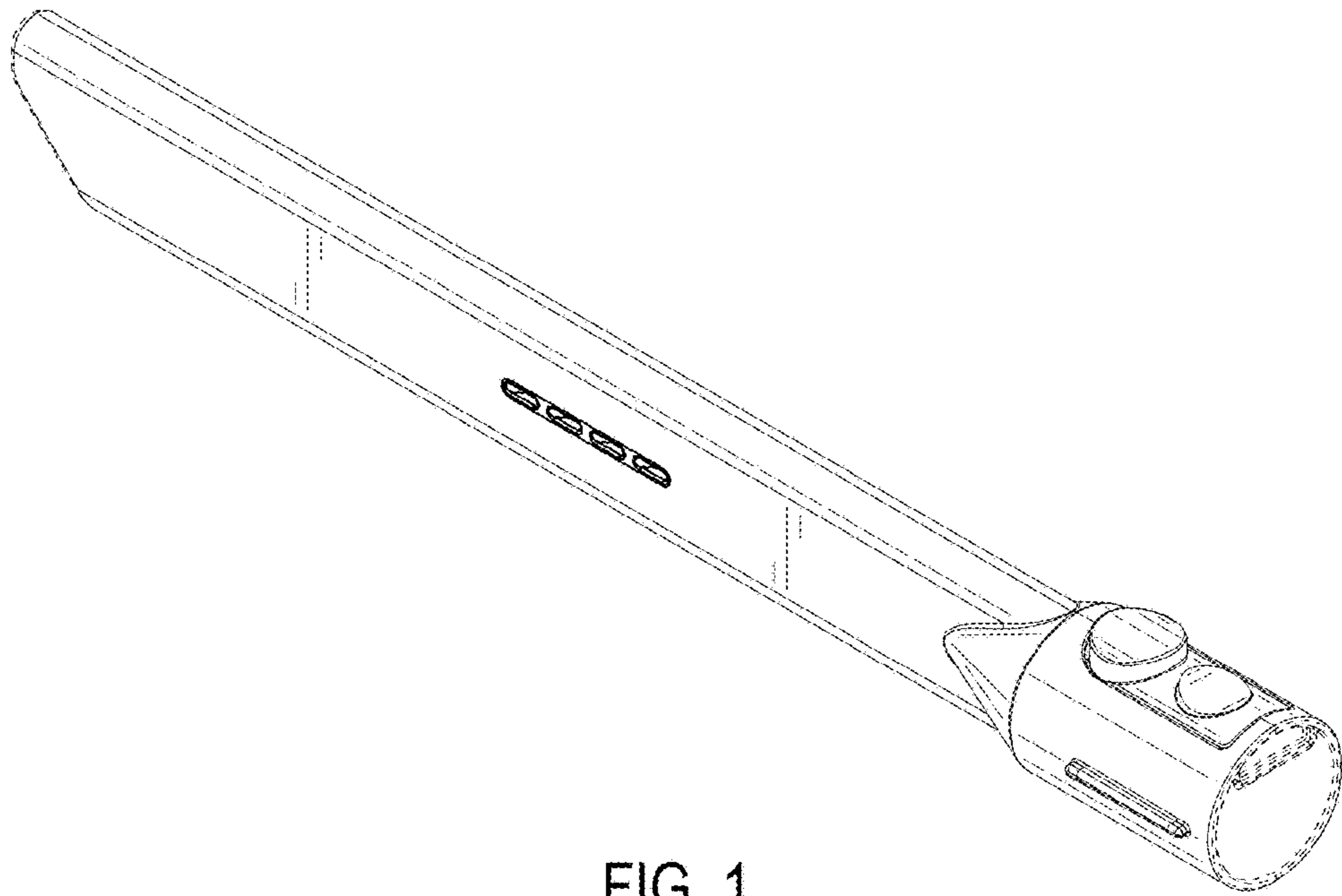


FIG. 1

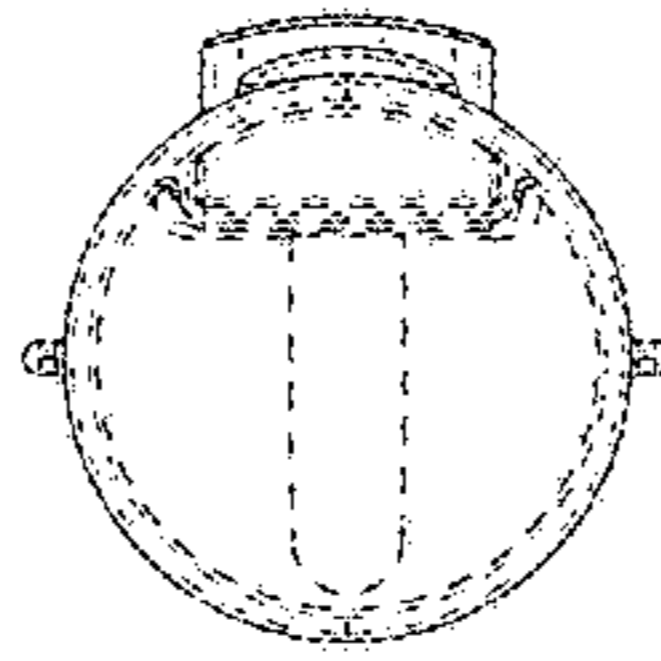


FIG. 2

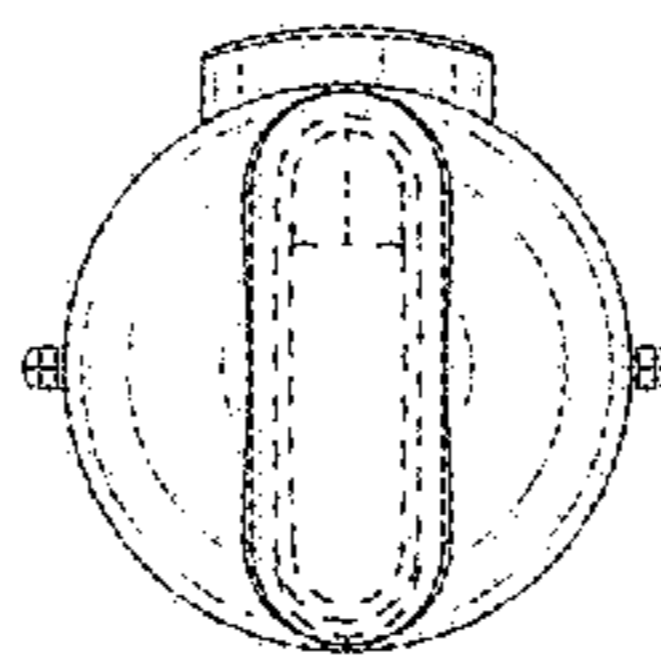


FIG. 3

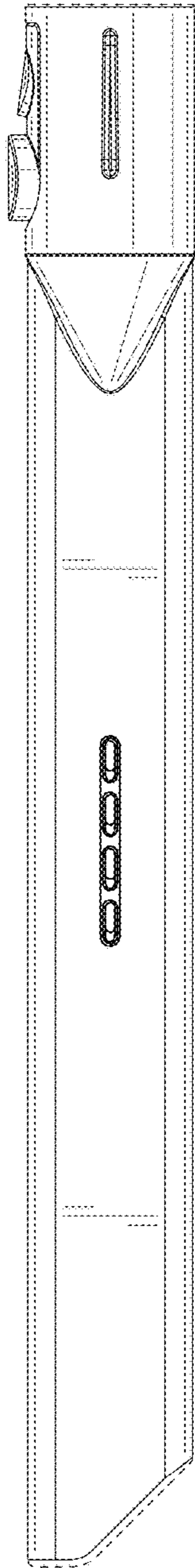


FIG. 4

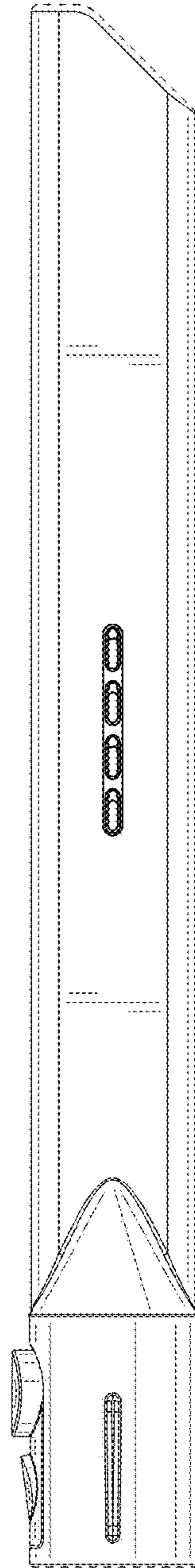


FIG. 5

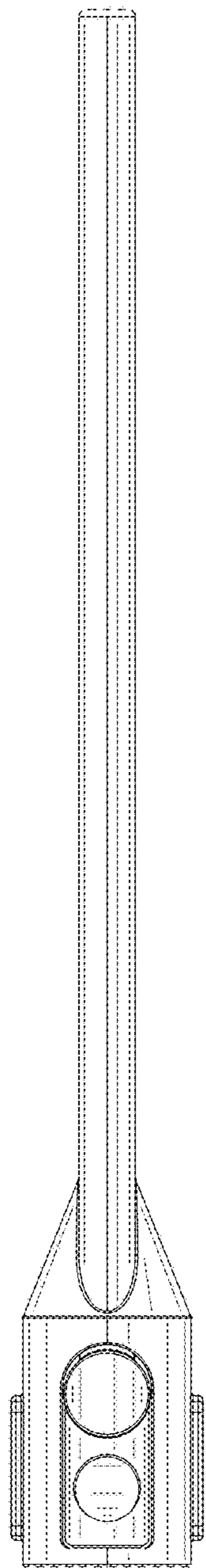


FIG. 6

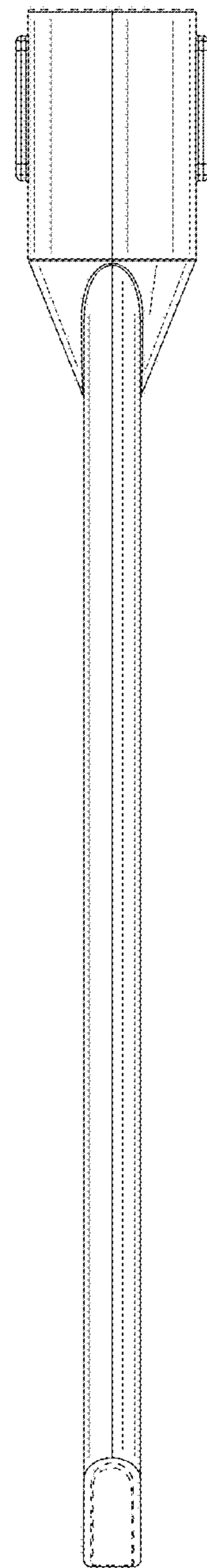


FIG. 7