

US00D863699S

(12) **United States Design Patent**
Wendling

(10) **Patent No.:** **US D863,699 S**

(45) **Date of Patent:** **** Oct. 15, 2019**

(54) **BAND CLAMP FOR MOUNTING AN ANIMAL GUARD**

2,663,531 A * 12/1953 Rubano A47B 97/04
248/217.4

2,706,023 A * 4/1955 Merritt E04H 12/20
248/230.9

2,755,054 A * 7/1956 Churella A47G 33/105
24/339

(71) Applicant: **Allan Wendling**, New Lothrop, MI
(US)

(72) Inventor: **Allan Wendling**, New Lothrop, MI
(US)

(Continued)

Primary Examiner — Susan Moon Lee

(**) Term: **15 Years**

(74) *Attorney, Agent, or Firm* — Dinsmore & Shohl LLP

(21) Appl. No.: **29/687,395**

(22) Filed: **Apr. 12, 2019**

(57) **CLAIM**

(51) **LOC (12) Cl.** **30-99**

I claim the ornamental design for a band clamp for mounting an animal guard, as shown and described.

(52) **U.S. Cl.**

USPC **D30/199**; D30/124; D30/127; D8/373;
D8/394; D8/349

(58) **Field of Classification Search**

USPC D30/199, 124, 127; D8/373, 382, 383,
D8/394, 396, 44, 349; 248/218.4,
248/219.1–219.4, 220.21, 230.1, 230.3,
248/230.7, 229.17, 230.8, 230.9, 231.81,
248/231.85; 24/442, 306, 443, 447, 449,
24/450, 452, 288, 301–305; 119/57.9,
119/52.3

DESCRIPTION

CPC A01K 39/0113; E04H 12/20; A44B 18/00;
A44B 18/0003; A44B 18/0069; A44B
18/0073; A45C 13/30; Y10T 24/27; Y10T
24/2708; Y10T 24/2717; Y10T 24/2725;
Y10T 24/275; Y10T 24/318; Y10T 24/34;
G09F 15/0037; G09F 15/0018; G09F
15/0031; G09F 7/18; G09F 2007/1804;
G09F 2007/1808; G09F 2007/1813; G09F
2007/1817; G09F 2007/1826; G09F
2007/183; G09F 2007/1856; F16M 13/00;
F16M 13/02; F16M 13/022

See application file for complete search history.

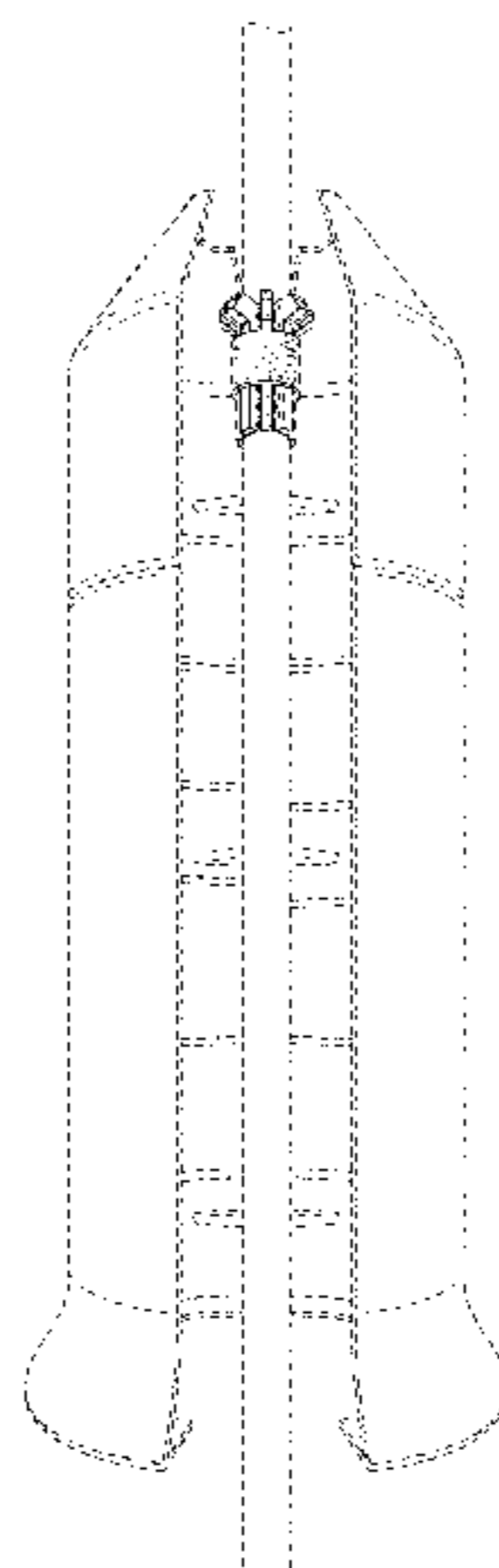
FIG. 1 is a front perspective view of a band clamp for mounting an animal guard according to my new design; FIG. 2 is a rear perspective view thereof; FIG. 3 is a front elevation view thereof; FIG. 4 is a rear elevation view thereof; FIG. 5 is an end view thereof; FIG. 6 is an opposite end view thereof; FIG. 7 is a top plan view thereof; FIG. 8 is a bottom view thereof; FIG. 9 is a first environmental view of the band clamp for mounting an animal guard, shown wrapped around a post or pole, and in use with an exemplary squirrel baffle in a first position in relation to the assembled clamp; FIG. 10 is a second environmental view thereof, wherein the exemplary baffle is in a second position in relation to the assembled clamp; and, FIG. 11 is a last environmental view thereof, wherein the exemplary baffle is in a third position in relation to the assembled clamp. The broken lines in FIGS. 9-11 illustrate environmental structure and form no part of the claimed design.

(56) **References Cited**

U.S. PATENT DOCUMENTS

1,879,813 A * 9/1932 Molitor A01G 13/0243
47/32.4
2,651,094 A 9/1953 Dodge

1 Claim, 9 Drawing Sheets



(56)

References Cited

U.S. PATENT DOCUMENTS

2,855,167	A *	10/1958	Christophersen	F16B 2/08 174/40 CC
2,977,995	A	4/1961	Walpole		
3,241,800	A	3/1966	Richter		
4,635,888	A *	1/1987	Aldridge	G09F 7/18 248/219.4
4,759,521	A *	7/1988	Aldridge	G09F 7/18 248/219.4
5,008,987	A	4/1991	Armour, II		
5,289,619	A	3/1994	Pileggi		
5,310,151	A *	5/1994	Engel	F21V 21/08 248/219.4
5,335,889	A *	8/1994	Hopkins	G09F 7/18 248/219.4
5,601,263	A *	2/1997	Thayer	B05B 15/62 248/75
5,833,188	A *	11/1998	Studdiford	B62J 11/00 248/229.17
5,878,537	A *	3/1999	Flischel	A01K 39/0113 119/52.3
6,024,048	A *	2/2000	Potente	A01K 39/0113 119/52.3
D440,360	S	4/2001	Nylen		
D441,505	S	5/2001	Nylen		
D441,922	S *	5/2001	Nylen	D30/124
6,226,933	B1 *	5/2001	Nelson	A01G 13/10 43/124
D449,719	S	10/2001	Nylen		
6,532,894	B2	3/2003	Johnson		
D480,515	S	10/2003	Heyek		
6,843,456	B1 *	1/2005	Hajianpour	B62J 11/00 224/414
7,059,572	B2 *	6/2006	Ware	F16L 3/137 174/45 R
7,424,992	B1	9/2008	Dziedzic		
7,574,976	B2 *	8/2009	Ellen	A01K 39/0113 119/52.3
7,789,360	B2 *	9/2010	Qualy	F16M 13/02 248/218.4
8,870,138	B2 *	10/2014	Maguire	B62J 11/00 24/269
9,179,761	B2 *	11/2015	Rambelli	A45F 3/14
2002/0096611	A1 *	7/2002	Meuth	E21B 17/012 248/230.8
2003/0075652	A1 *	4/2003	Studdiford	B62J 11/00 248/229.17
2004/0200044	A1	10/2004	Lusardi		
2006/0102083	A1	5/2006	Ellen et al.		
2006/0231706	A1 *	10/2006	Wyatt	G09F 7/18 248/218.4
2010/0236182	A1	9/2010	MacKenzie		
2013/0061809	A1	3/2013	Jenkins		
2014/0259567	A1 *	9/2014	Colak	F16B 2/08 24/484
2015/0059220	A1 *	3/2015	Lim	G09F 7/18 40/607.14
2019/0017652	A1 *	1/2019	Hossain	F16M 13/02

* cited by examiner

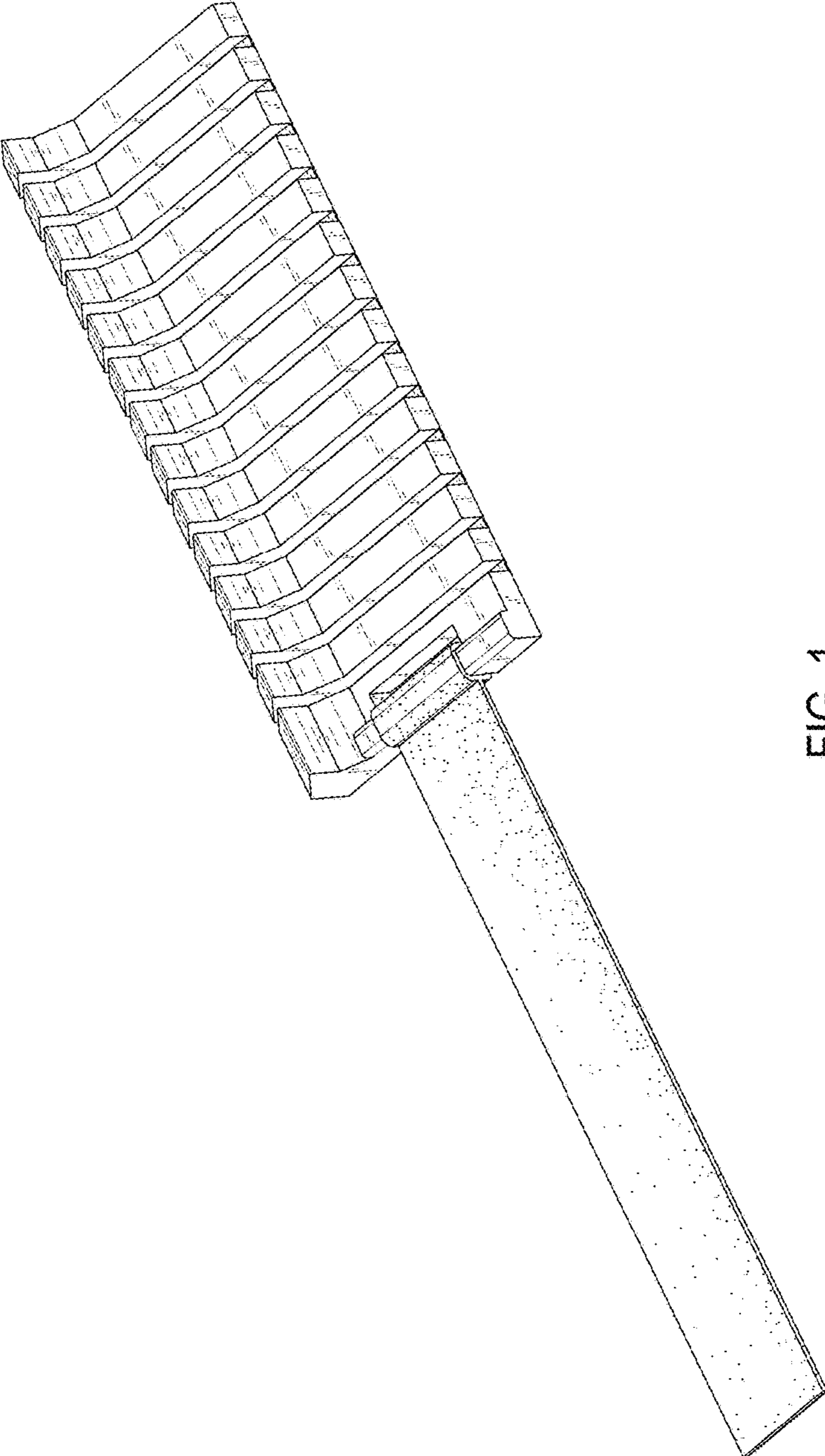


FIG. 1

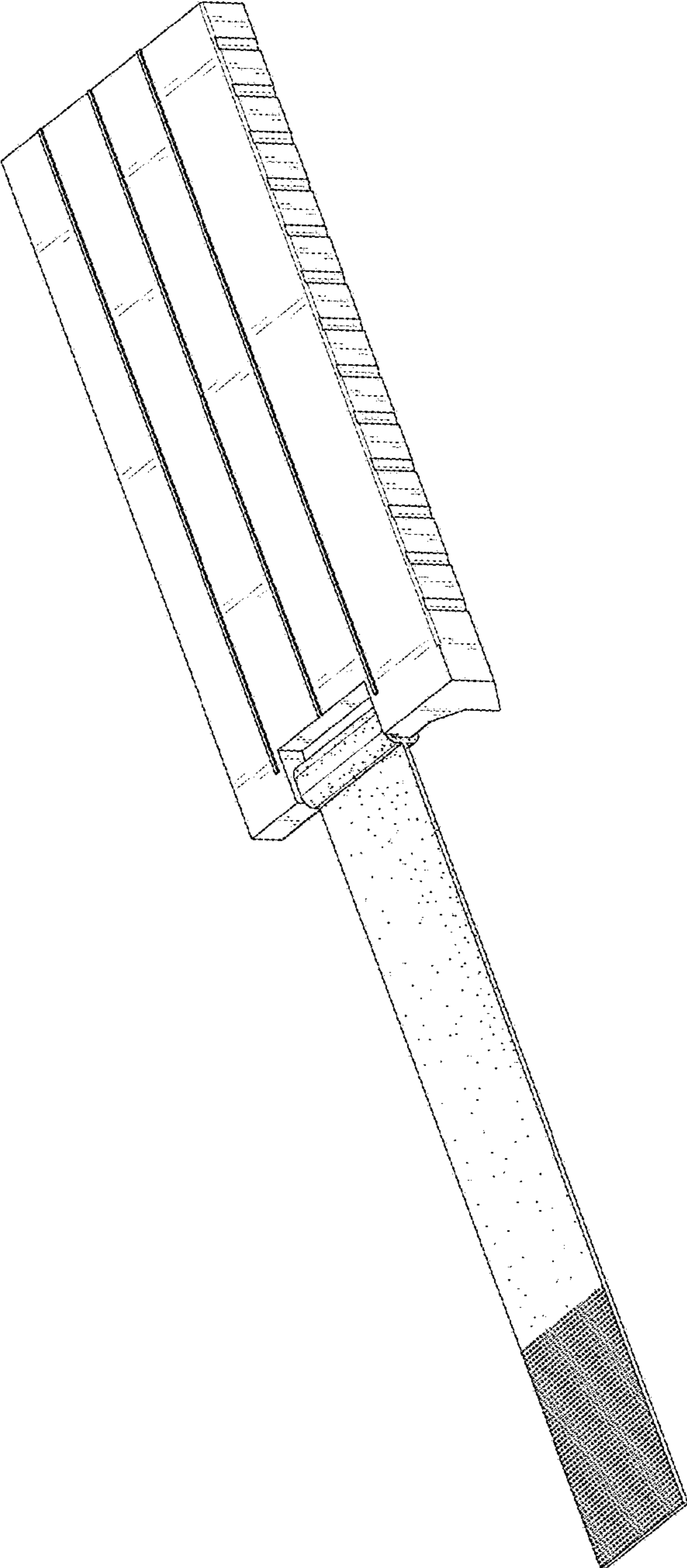


FIG. 2

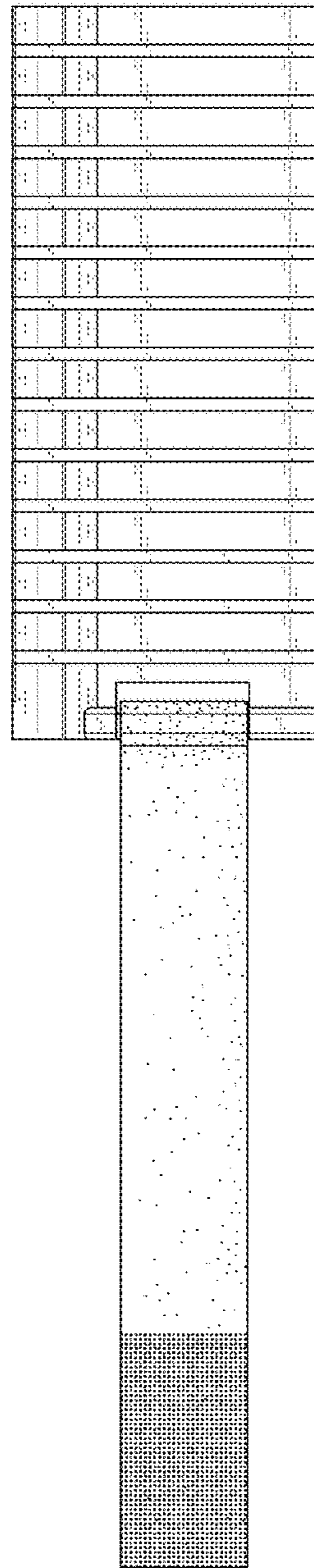


FIG. 3

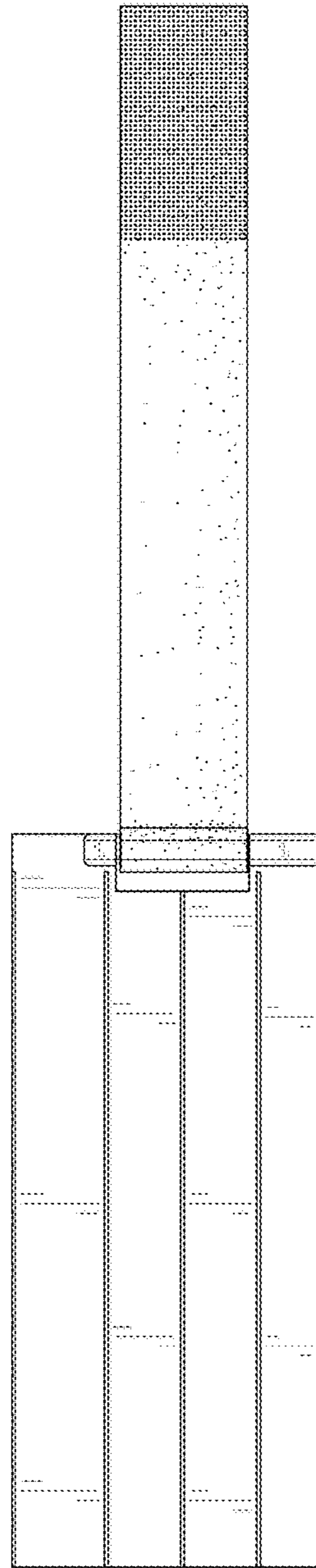


FIG. 4

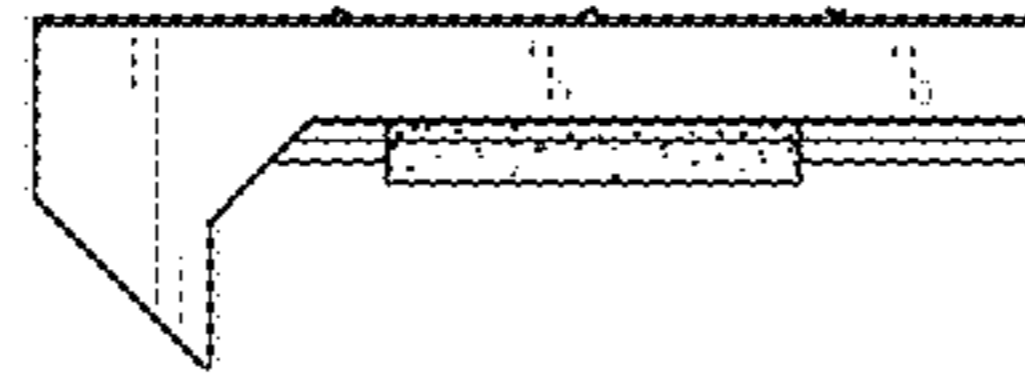


FIG. 6

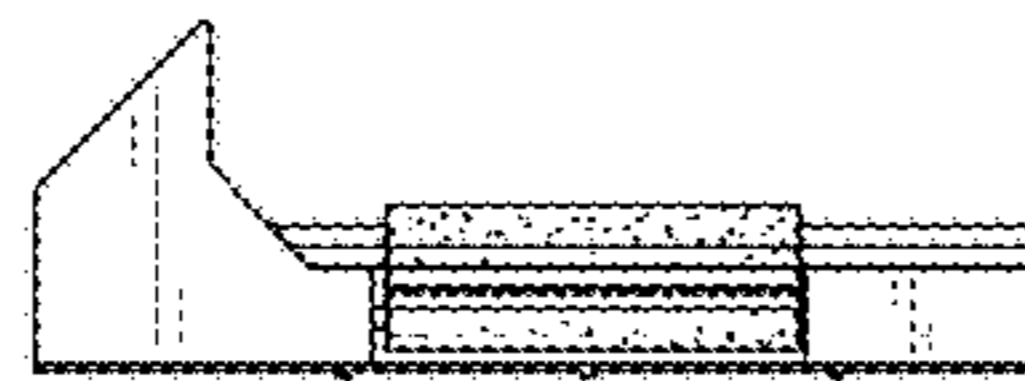


FIG. 5

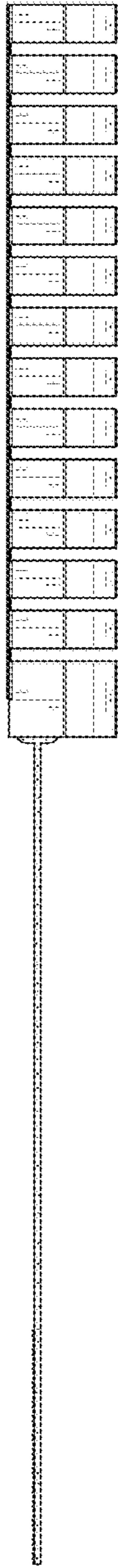


FIG. 7

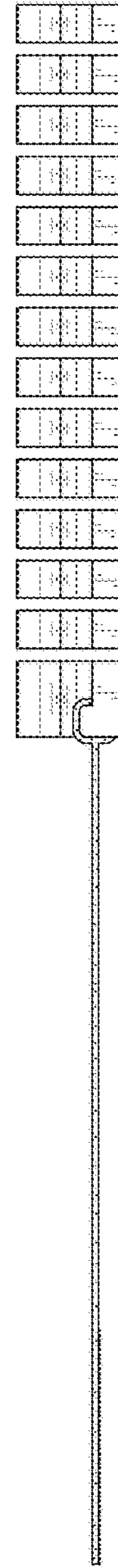


FIG. 8

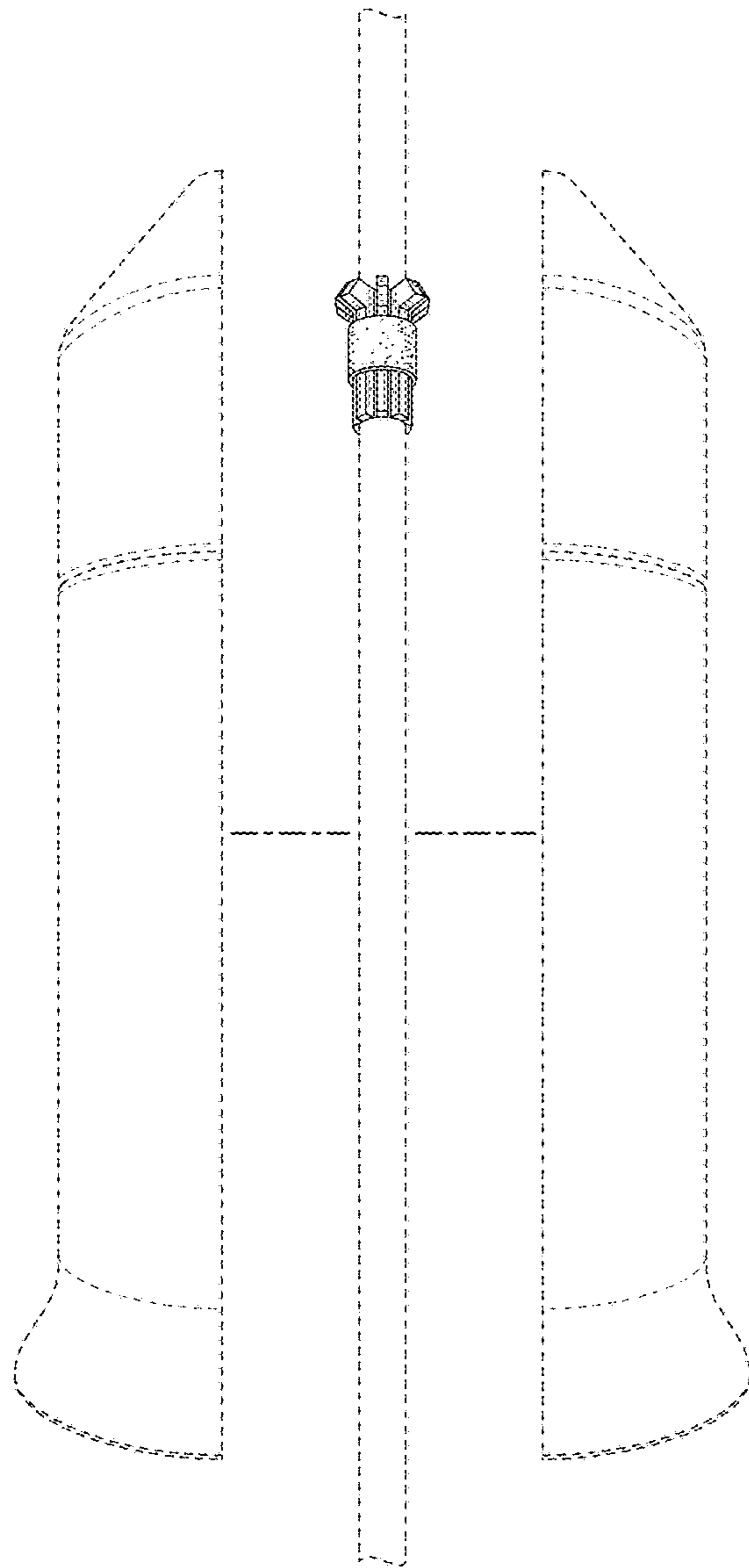


FIG. 9

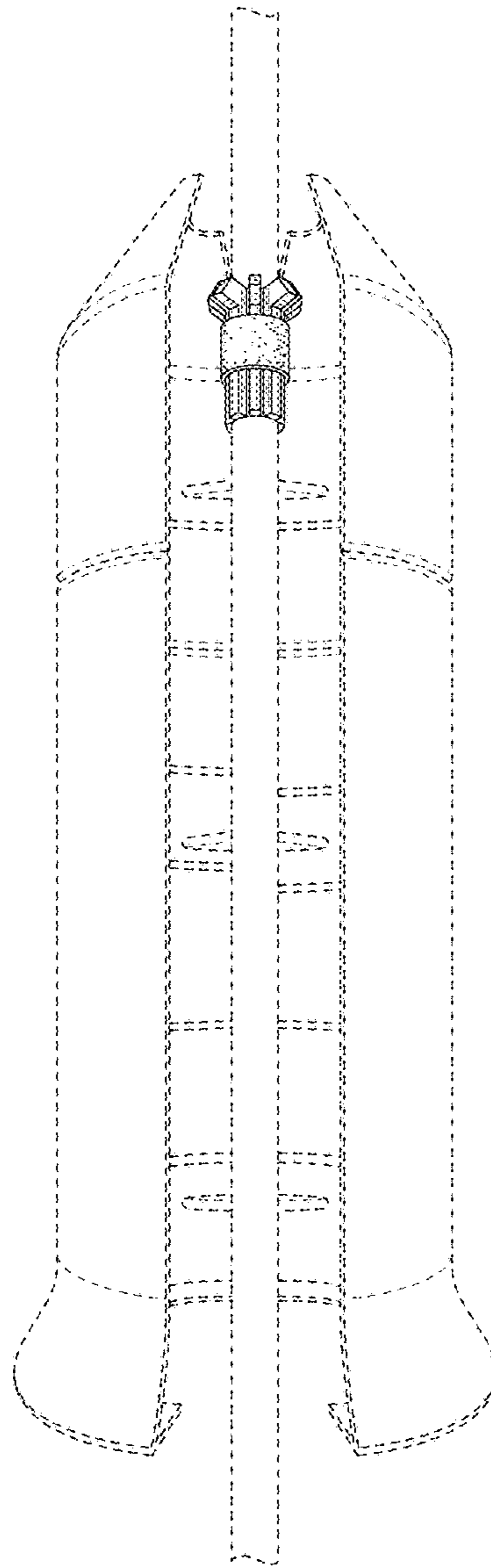


FIG. 10

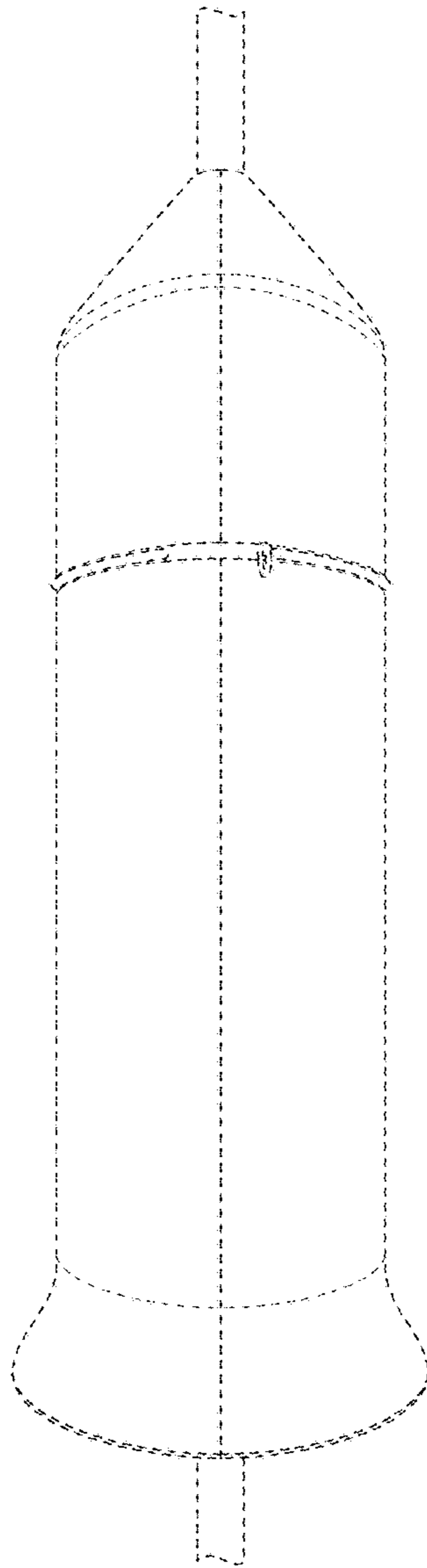


FIG. 11