



US00D863698S

(12) **United States Design Patent** (10) **Patent No.:** **US D863,698 S**
Miyawaki et al. (45) **Date of Patent:** **** Oct. 15, 2019**

- (54) **PET TOILET**
- (71) Applicant: **IRIS OHYAMA INC.**, Sendai-shi, Miyagi (JP)
- (72) Inventors: **Masayuki Miyawaki**, Kakuda (JP); **Takuya Nishihara**, Kakuda (JP)
- (73) Assignee: **IRIS OHYAMA INC.**, Sendai-shi (JP)
- (**) Term: **15 Years**
- (21) Appl. No.: **29/622,207**
- (22) Filed: **Oct. 16, 2017**

(30) **Foreign Application Priority Data**

May 9, 2017 (JP) 2017-009883

- (51) **LOC (12) Cl.** **30-99**
- (52) **U.S. Cl.**
USPC **D30/161**
- (58) **Field of Classification Search**
USPC D30/158-161; D3/304
CPC A01K 1/011; A01K 1/0107; A01K 1/0125;
A01K 1/0121; A47K 11/02; A47K 11/06;
A47K 13/00; A47K 13/06; A47K 13/14
See application file for complete search history.

(56) **References Cited**

U.S. PATENT DOCUMENTS

- D380,880 S * 7/1997 Reid D30/118
- D388,560 S * 12/1997 Savicki D30/118
- 6,135,057 A * 10/2000 Cummings A01K 1/0107
119/165
- D455,239 S * 4/2002 McLaughlin D30/118
- 6,615,765 B1 * 9/2003 Thomas A01K 1/0107
119/161
- 7,096,823 B1 * 8/2006 Smeltzer A01K 1/0114
119/161
- D533,687 S * 12/2006 Bull D30/118

- 7,568,448 B2 * 8/2009 Yamamoto A01K 1/0114
119/166
 - D625,057 S * 10/2010 Teper D30/161
 - D652,587 S * 1/2012 Matsuo D30/161
- (Continued)

FOREIGN PATENT DOCUMENTS

JP 1568001 S 1/2017

OTHER PUBLICATIONS

An Office Action; "Notice of Allowance", issued by the Japanese Patent Office on Nov. 28, 2017, which corresponds to Japanese Design Application No. 2017-009883; with English language Concise Explanation.

(Continued)

Primary Examiner — Lilyana Bekic

Assistant Examiner — Aula Soroush

(74) *Attorney, Agent, or Firm* — Studebaker & Brackett PC

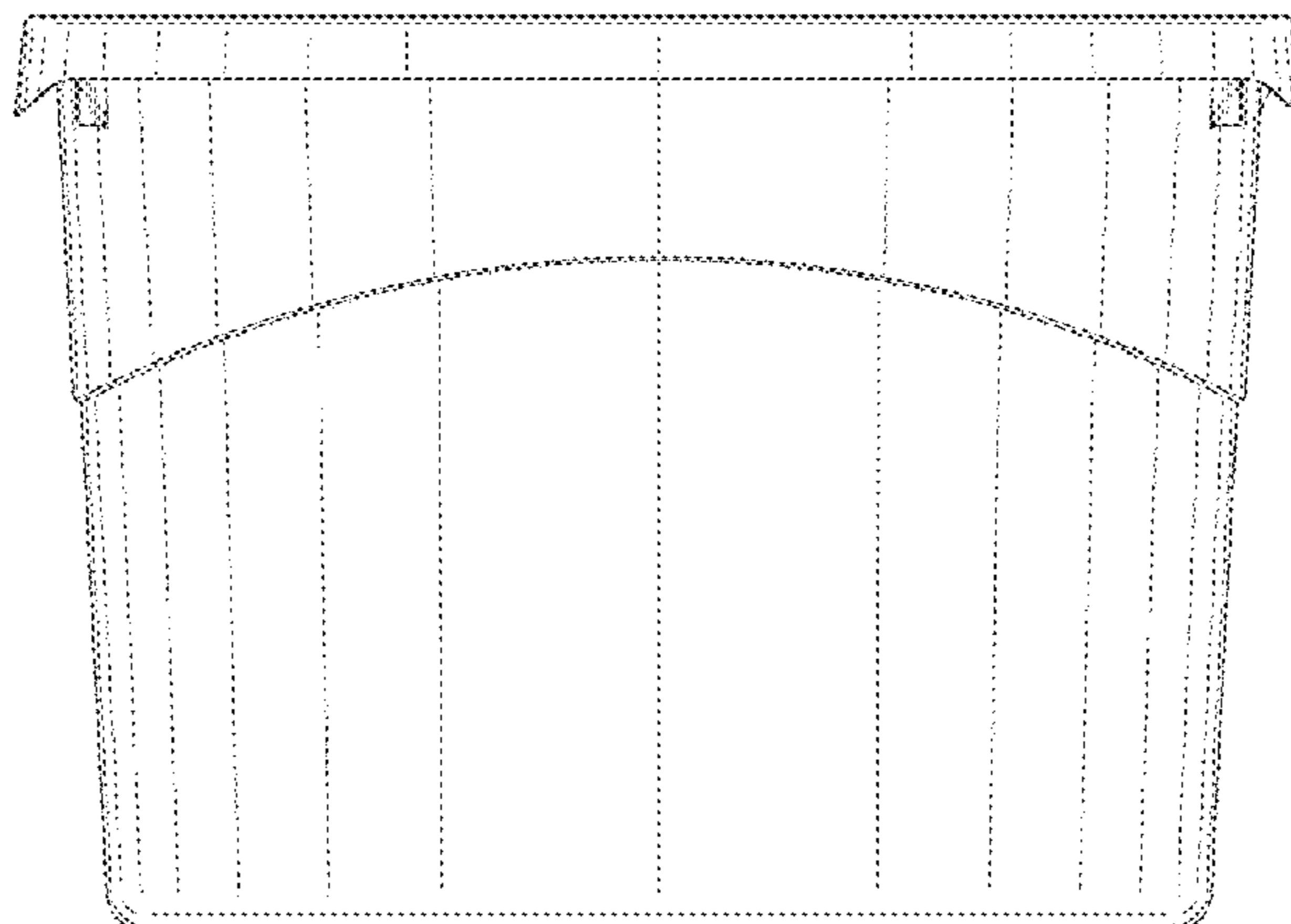
(57) **CLAIM**

The ornamental design for a pet toilet, as shown and described.

DESCRIPTION

FIG. 1 is a front view of a pet toilet showing our new design; FIG. 2 is a rear view thereof; FIG. 3 is a top view thereof; FIG. 4 is a bottom view thereof; FIG. 5 is a right-side view thereof; FIG. 6 is a left-side view thereof; FIG. 7 is a front, top and right-side perspective view thereof; FIG. 8 is a front, bottom and right-side perspective view thereof; FIG. 9 is a front, bottom and left-side perspective view thereof; and, FIG. 10 is a cross-sectional view taken along line 10-10 in FIG. 3.

1 Claim, 10 Drawing Sheets



(56)

References Cited

U.S. PATENT DOCUMENTS

D663,081 S * 7/2012 Chance D30/161
8,522,719 B2 * 9/2013 Feld A01G 9/033
119/168
D691,335 S * 10/2013 Zettlemoyer D30/161
D699,407 S * 2/2014 Sikora D30/161
D725,320 S * 3/2015 Olson D30/161
9,204,617 B2 * 12/2015 Yamamoto A01K 1/0114
D782,755 S * 3/2017 Veness D30/161
9,723,807 B2 * 8/2017 Abe A01K 1/0107
D796,748 S * 9/2017 Takagi D30/161
D835,354 S * 12/2018 Stutey D30/118
D840,611 S * 2/2019 Takagi D30/161
2002/0000205 A1 * 1/2002 Yamamoto A01K 1/0114
119/161
2013/0213311 A1 * 8/2013 Matsuo A01K 1/0107
119/169
2015/0334981 A1 * 11/2015 Matsuo A01K 1/0107
119/165

OTHER PUBLICATIONS

Pet Product News, No. 1, vol. 64, p. 69 (Japan Patent Office Design Patent Department, publicly known reference No. HB 22000657).

* cited by examiner

FIG. 1

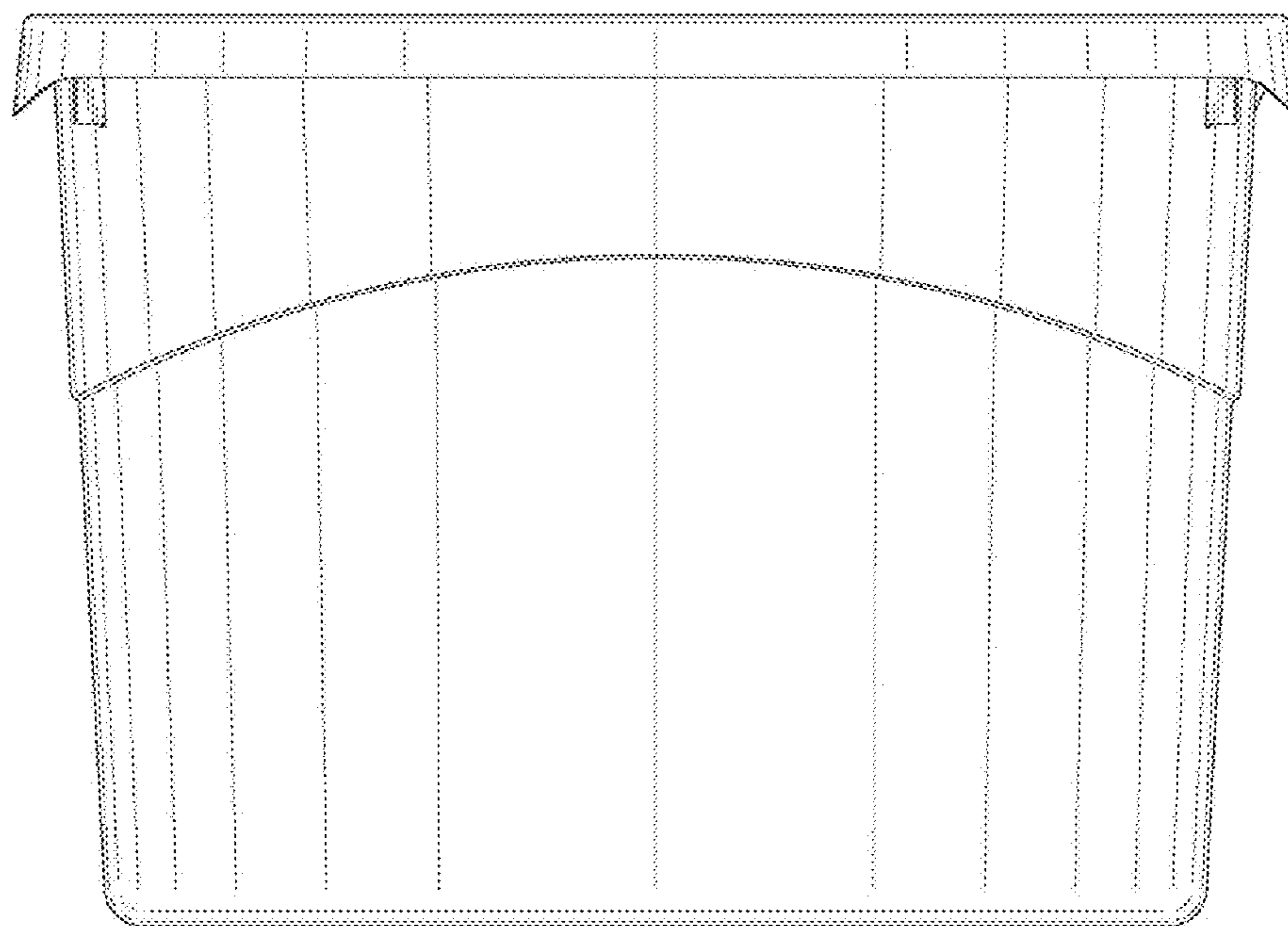


FIG. 2

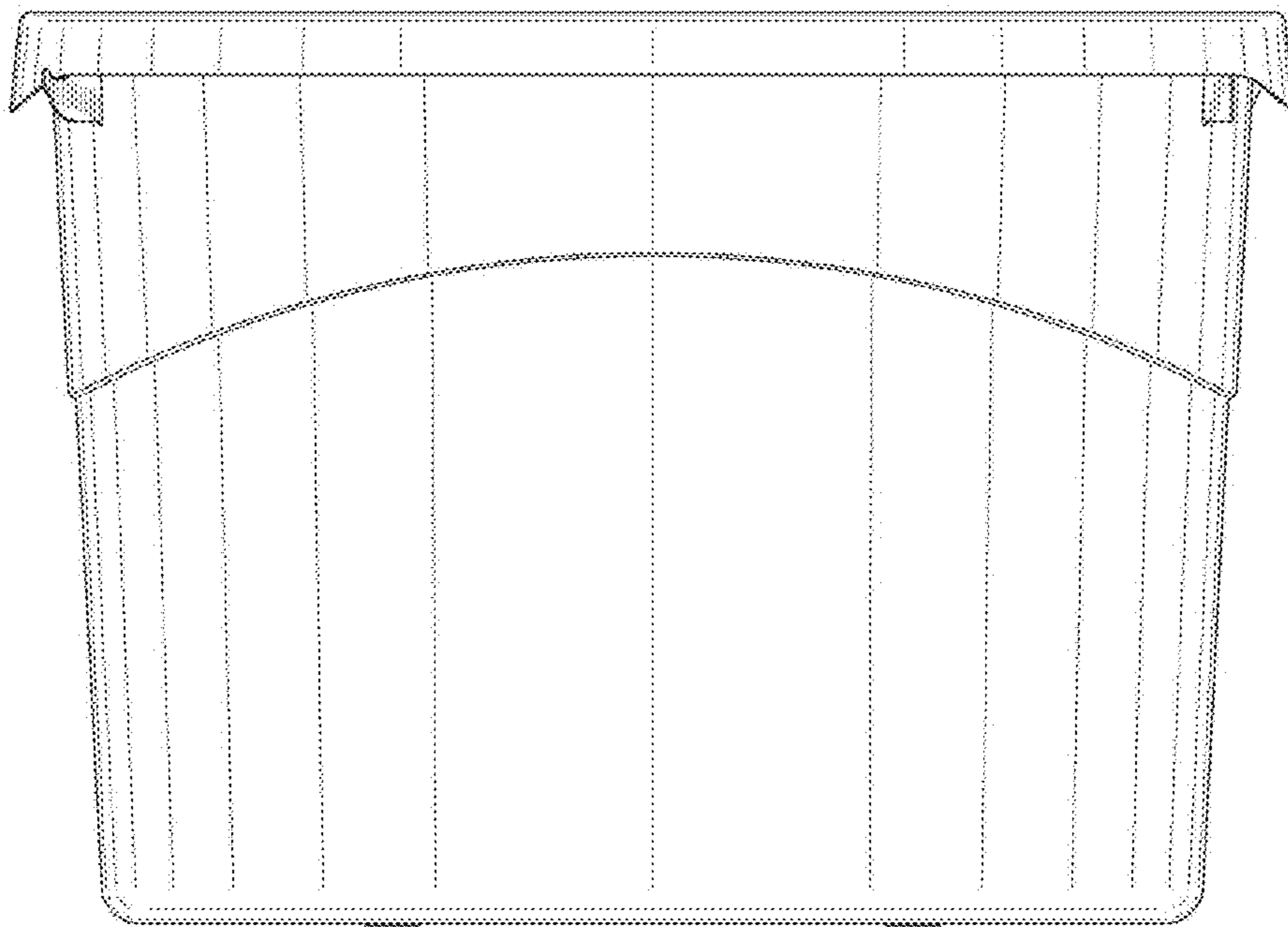


FIG. 3

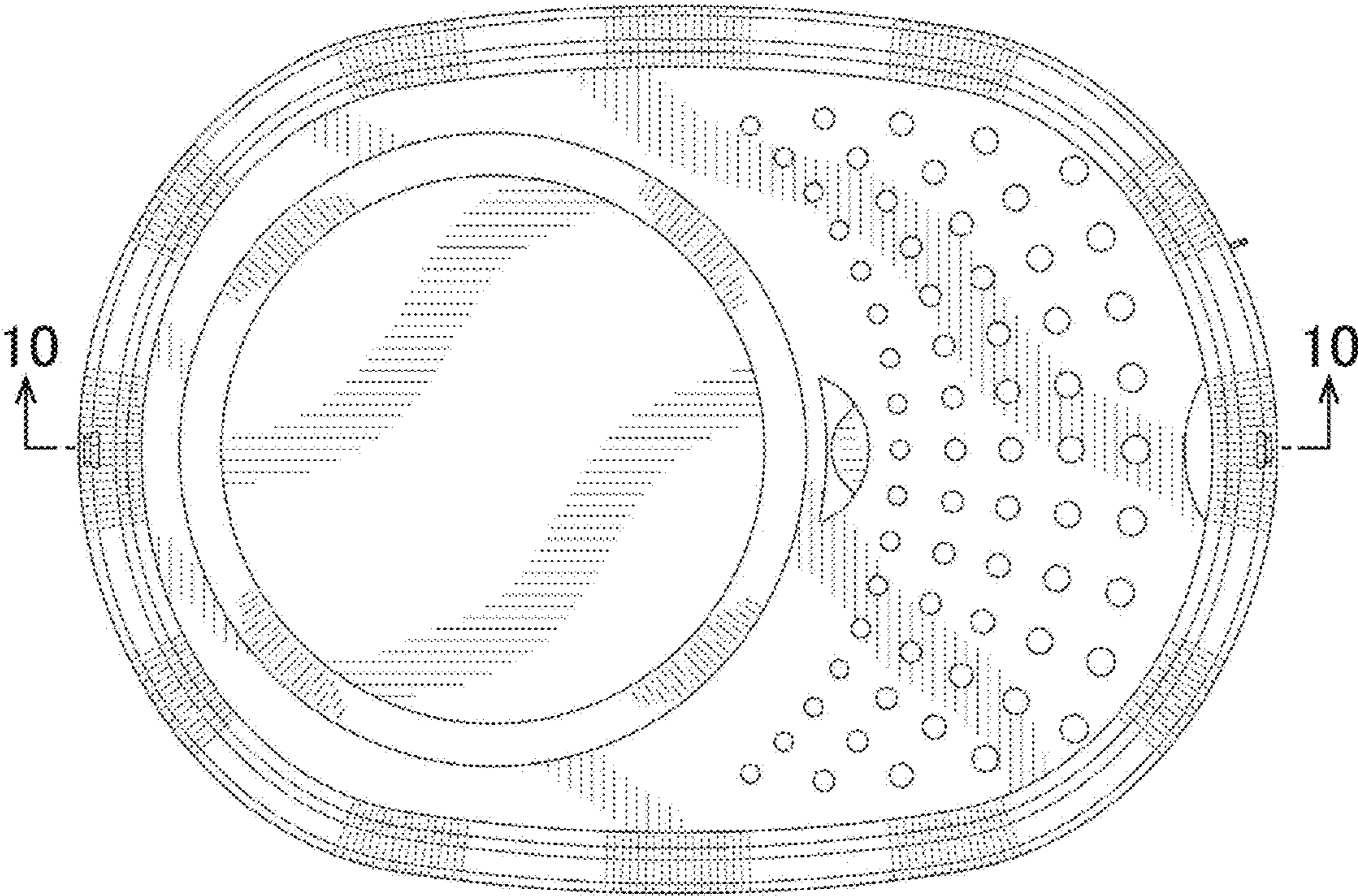


FIG. 4

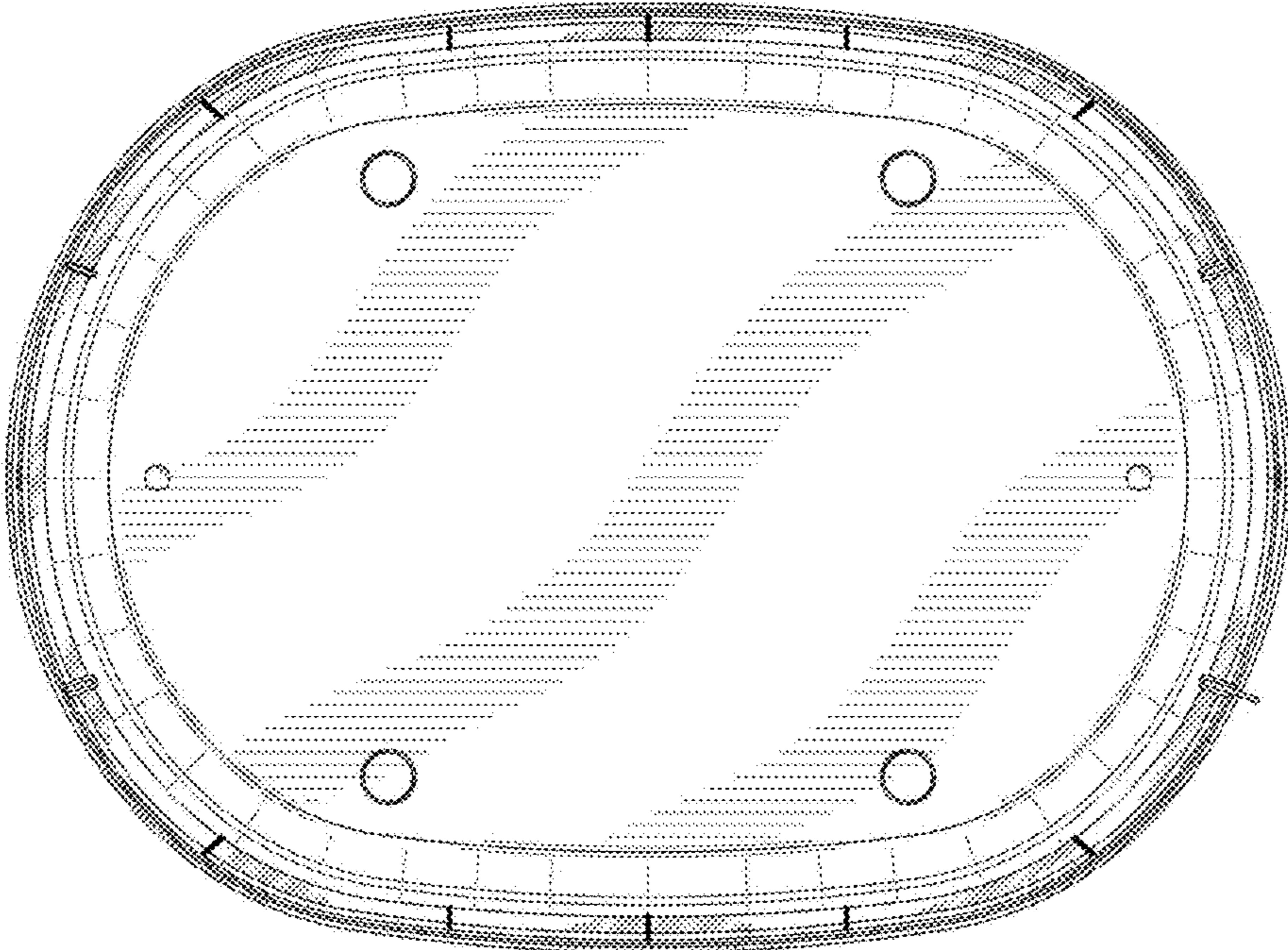


FIG. 5

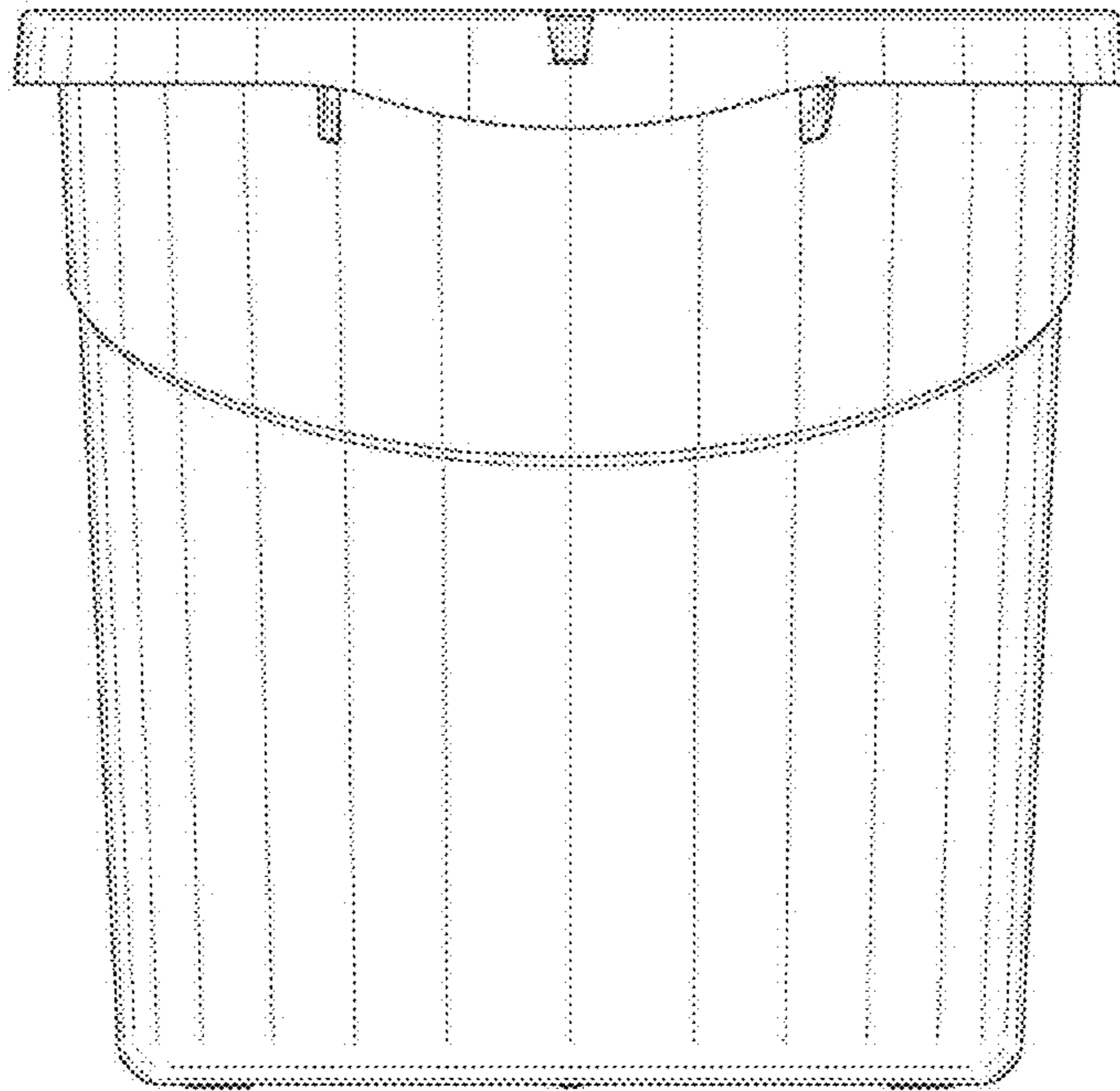


FIG. 6

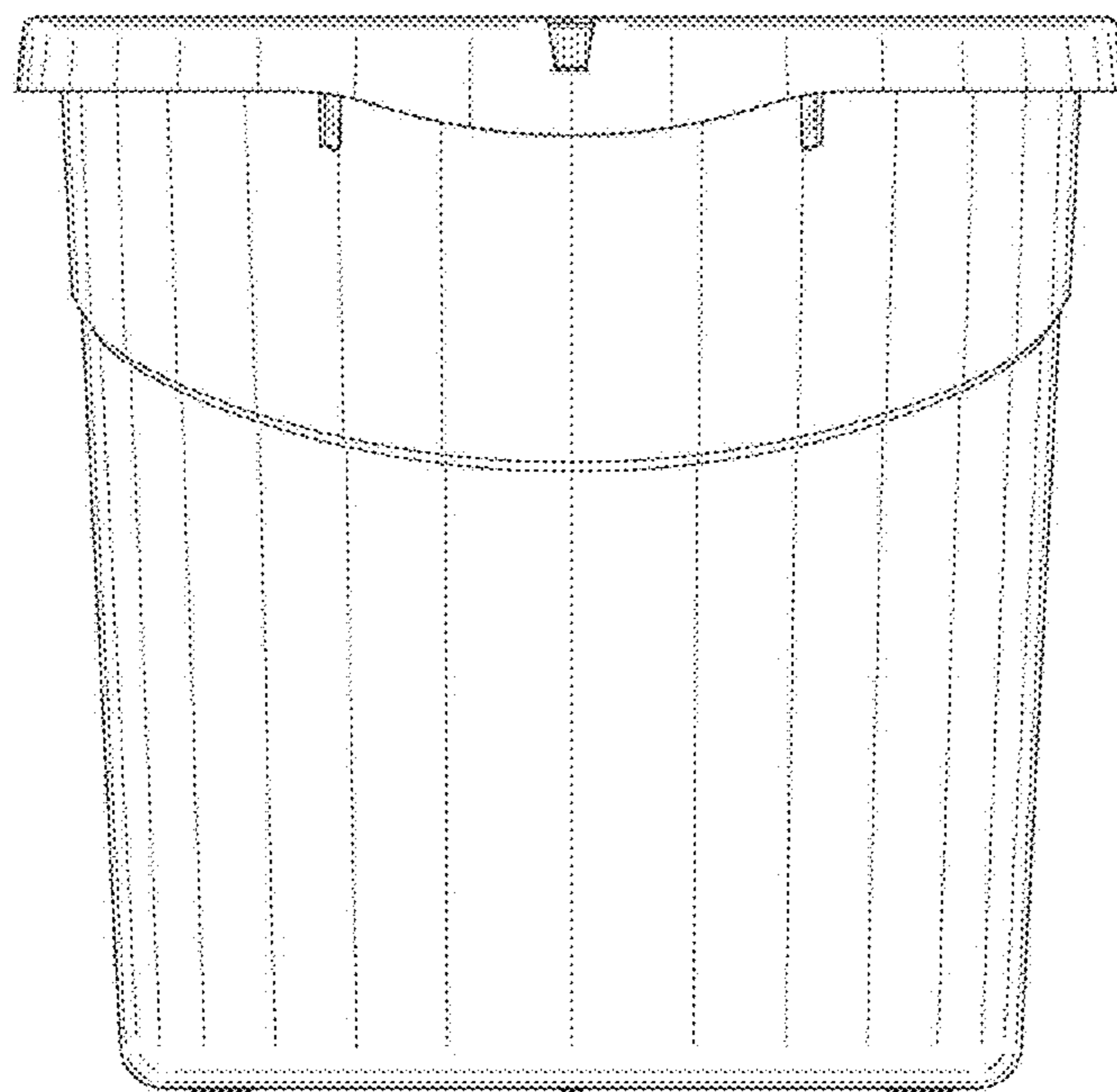


FIG. 7

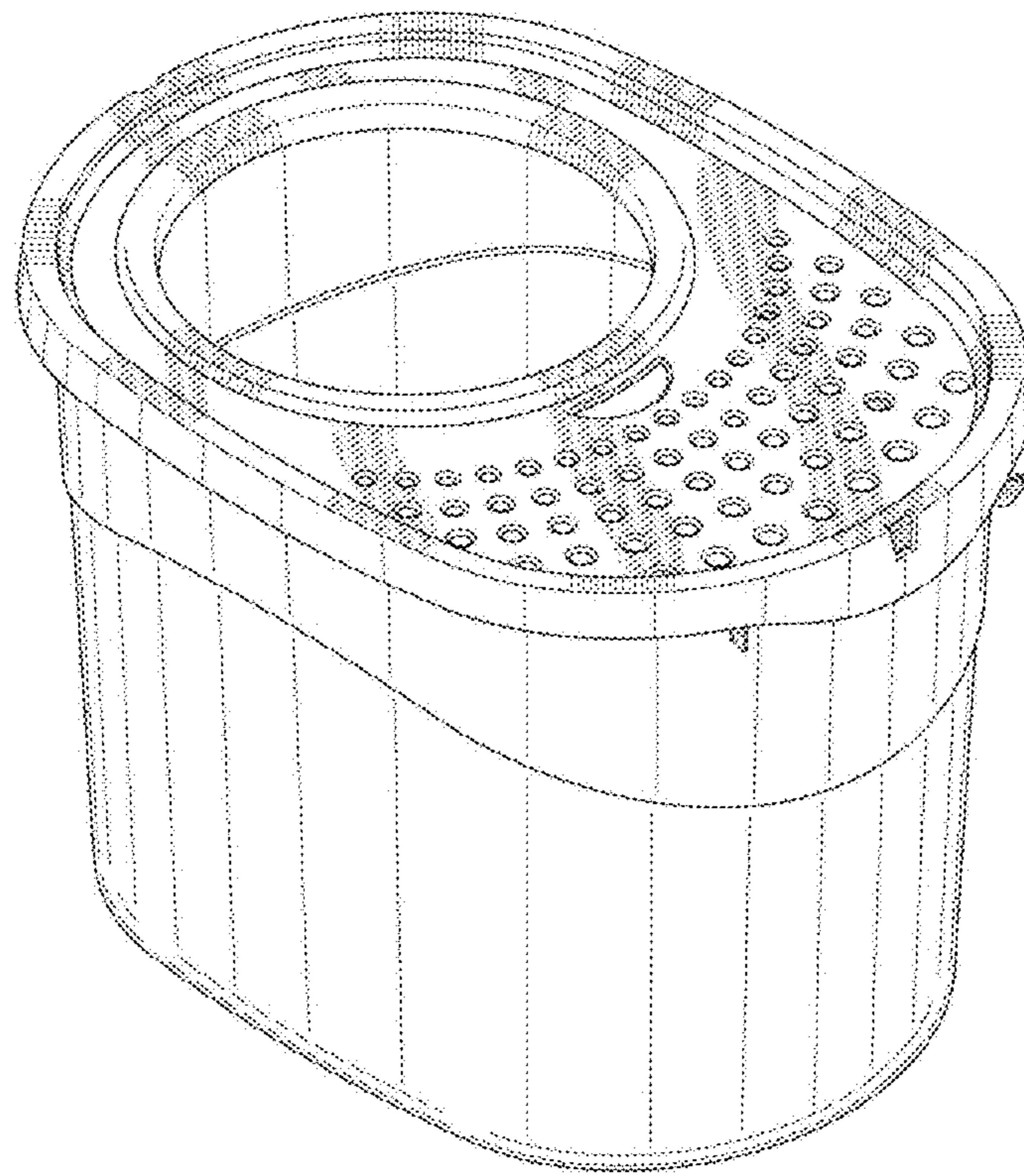


FIG. 8

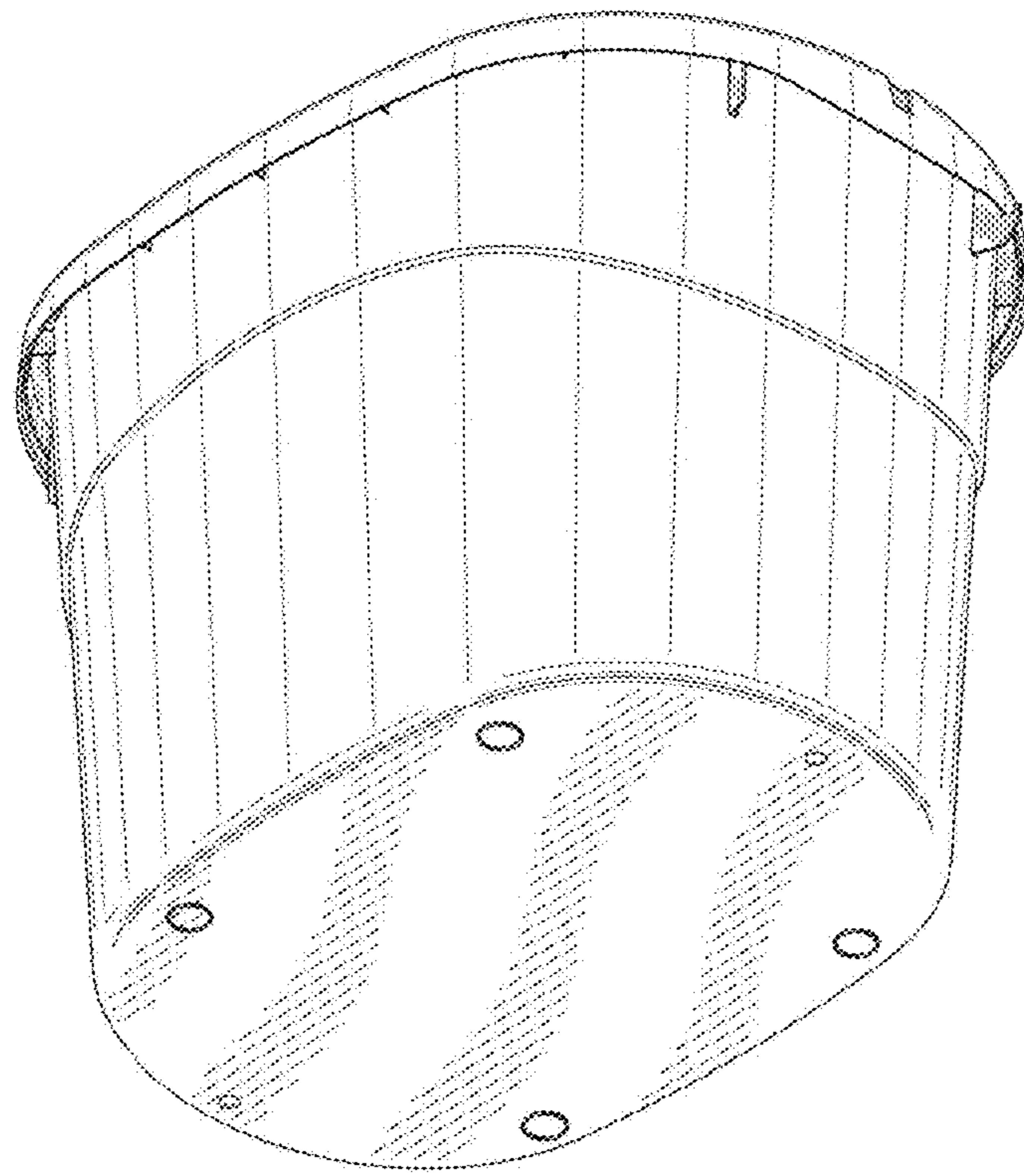


FIG. 9

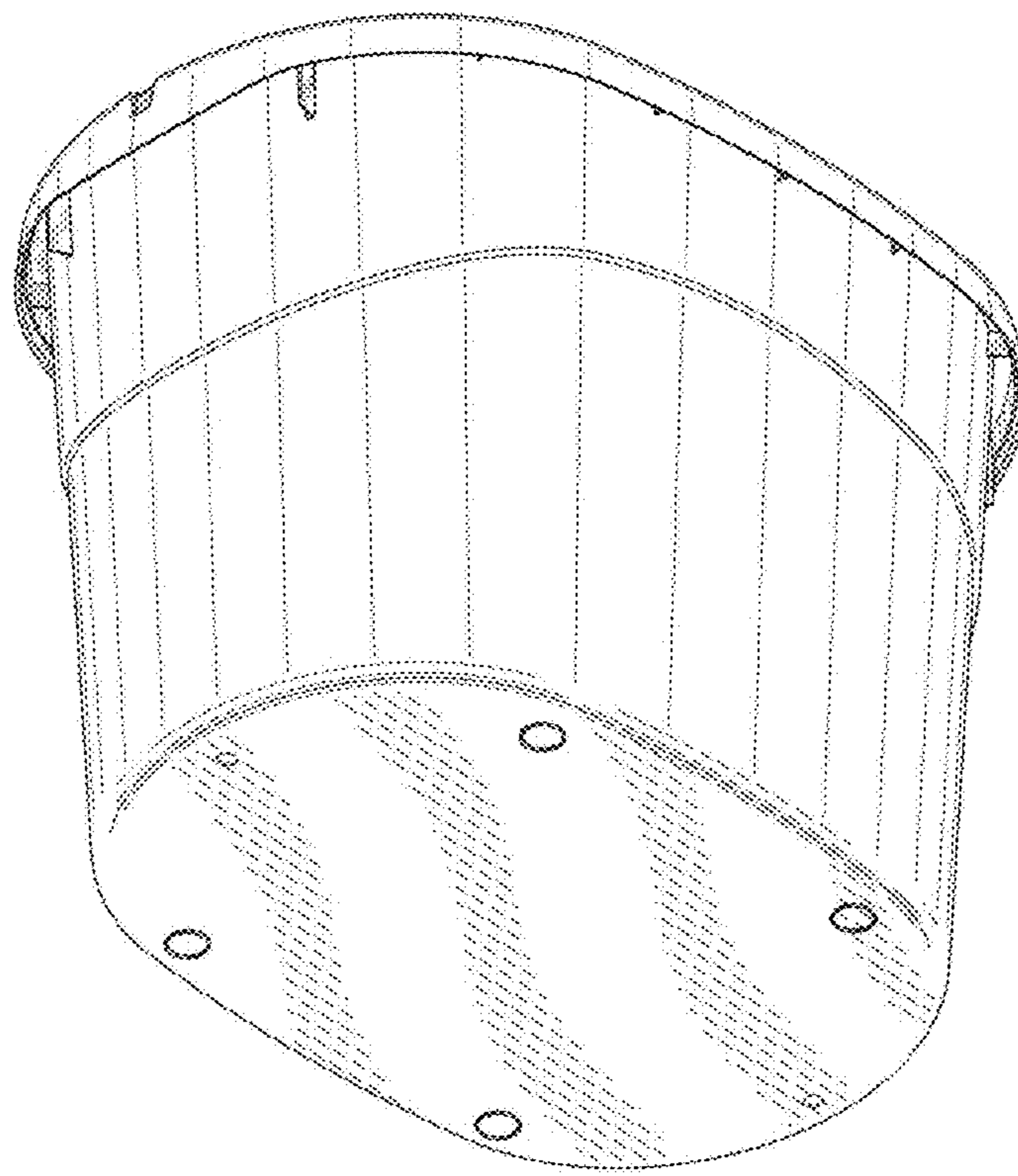


FIG. 10

