



US00D863696S

(12) **United States Design Patent** (10) **Patent No.:** **US D863,696 S**
Adjedj (45) **Date of Patent:** **** Oct. 15, 2019**

(54) **DOG LEG BRACE**

OTHER PUBLICATIONS

(71) Applicant: **Yaniv Adjedj**, New York, NY (US)

“Agon Extra Supportive Dog Hock Brace or Rear Leg Wrap.” Found online Apr. 10, 2019 at www.agonusa.com. Product reviewed Oct. 3, 2017. Retrieved from URL: https://www.agonusa.com/product/dog-hock-brace/ (Year: 2017).*

(72) Inventor: **Yaniv Adjedj**, New York, NY (US)

“In Hand Dog Leg Brace.” Found online Apr. 10, 2019 at www.amazon.com. Product reviewed Feb. 27, 2018. Retrieved from URL: http://tinyurl.com/y4rkkge (Year: 2018).*

(**) Term: **15 Years**

(21) Appl. No.: **29/637,738**

* cited by examiner

(22) Filed: **Feb. 21, 2018**

(51) **LOC (12) Cl.** **30-01**

Primary Examiner — Garth Rademaker

(52) **U.S. Cl.**

Assistant Examiner — Katelin G Kloberg

USPC **D30/144**; D24/190

(74) *Attorney, Agent, or Firm* — Dunlap Bennett & Ludwig PLLC

(58) **Field of Classification Search**

USPC D30/144, 145, 146; D24/190, 207; D21/683

CPC A61D 9/00; A01K 13/006; A01K 13/007
See application file for complete search history.

(57) **CLAIM**

The ornamental design for a dog leg brace, as shown and described.

(56) **References Cited**

DESCRIPTION

U.S. PATENT DOCUMENTS

D242,955 S *	1/1977	Arluck	D24/190
D258,611 S *	3/1981	Baturin	D24/190
5,024,216 A *	6/1991	Shiono	A61F 5/0123 2/24
D405,884 S *	2/1999	Roper	D24/190
D452,325 S *	12/2001	Henderson	D24/190
D533,668 S *	12/2006	Brown	D24/200
D608,006 S *	1/2010	Avitable	D24/190
7,819,830 B2 *	10/2010	Sindel	A61F 5/0109 128/882
D671,690 S *	11/2012	Brady	D29/120.1
D725,839 S *	3/2015	MacGuinness	A01K 13/008 D30/145
D749,228 S *	2/2016	O'Connor	D24/190
D842,400 S *	3/2019	Ross	D21/683
2015/0114312 A1 *	4/2015	Cacopardo	A01K 13/006 119/850

FIG. 1 is a front perspective view of a dog leg brace, showing my new design;

FIG. 2 is a front elevation view thereof;

FIG. 3 is a rear elevation view thereof;

FIG. 4 is a right elevation view thereof;

FIG. 5 is a left elevation view thereof;

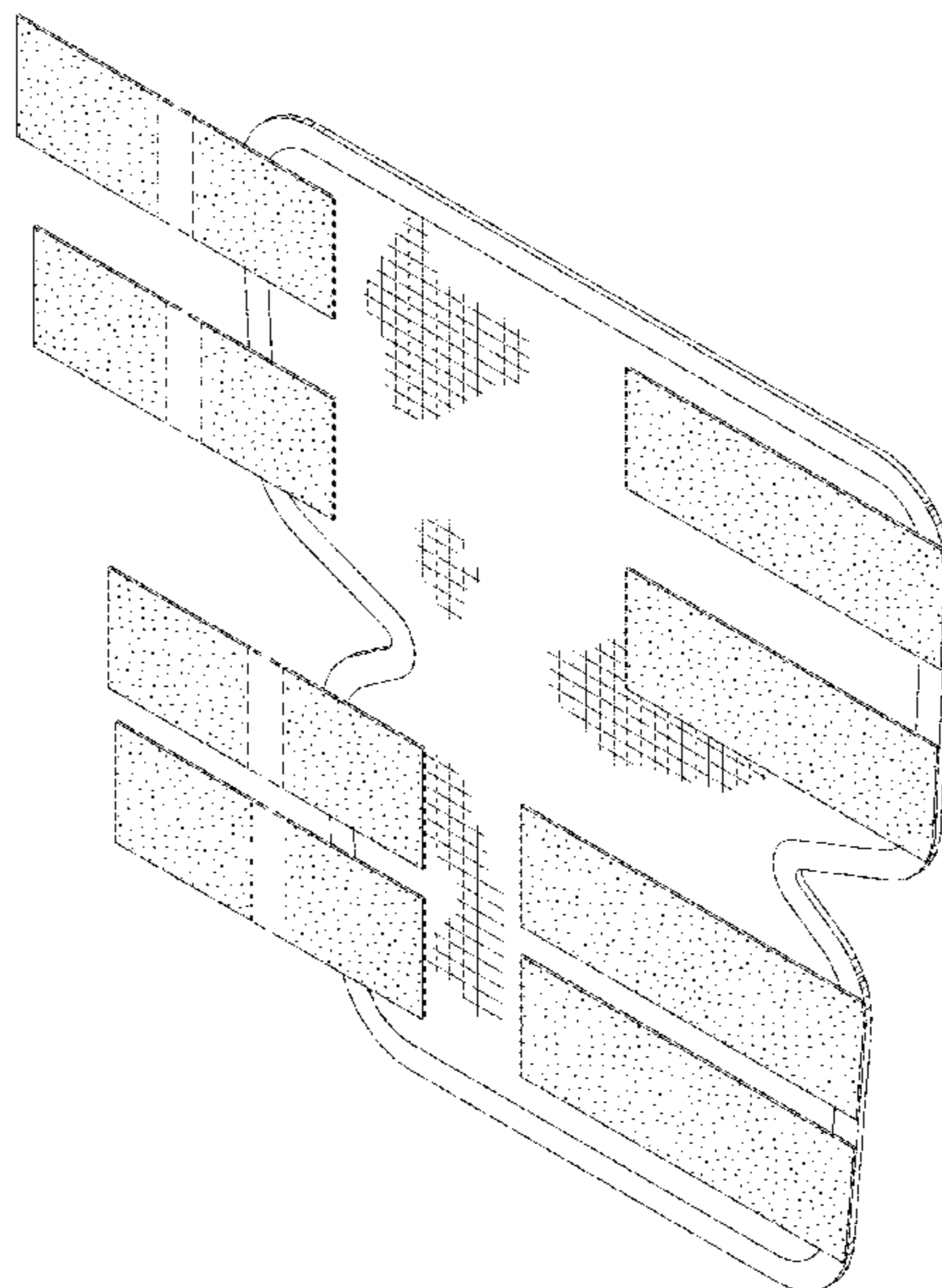
FIG. 6 is a top plan view thereof; and,

FIG. 7 is a bottom plan view thereof.

The broken lines immediately adjacent to the stippled shading are boundaries and form no part of the claimed design. All other broken lines depict portions of the article that form no part of the claimed design.

The use of stippling indicates a contrasting appearance with the adjacent hatching-shaded portion of the dog leg brace.

1 Claim, 4 Drawing Sheets



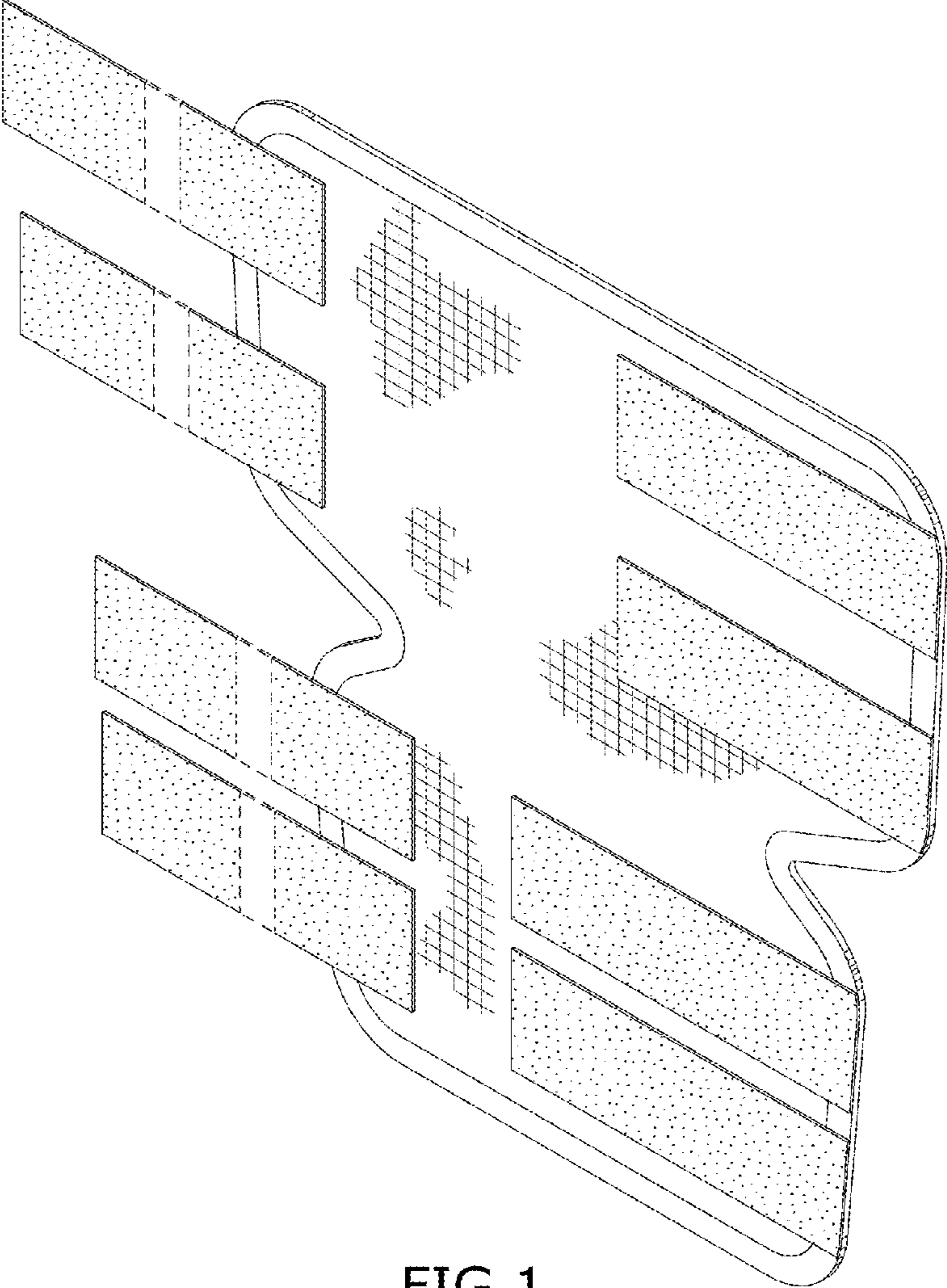


FIG. 1

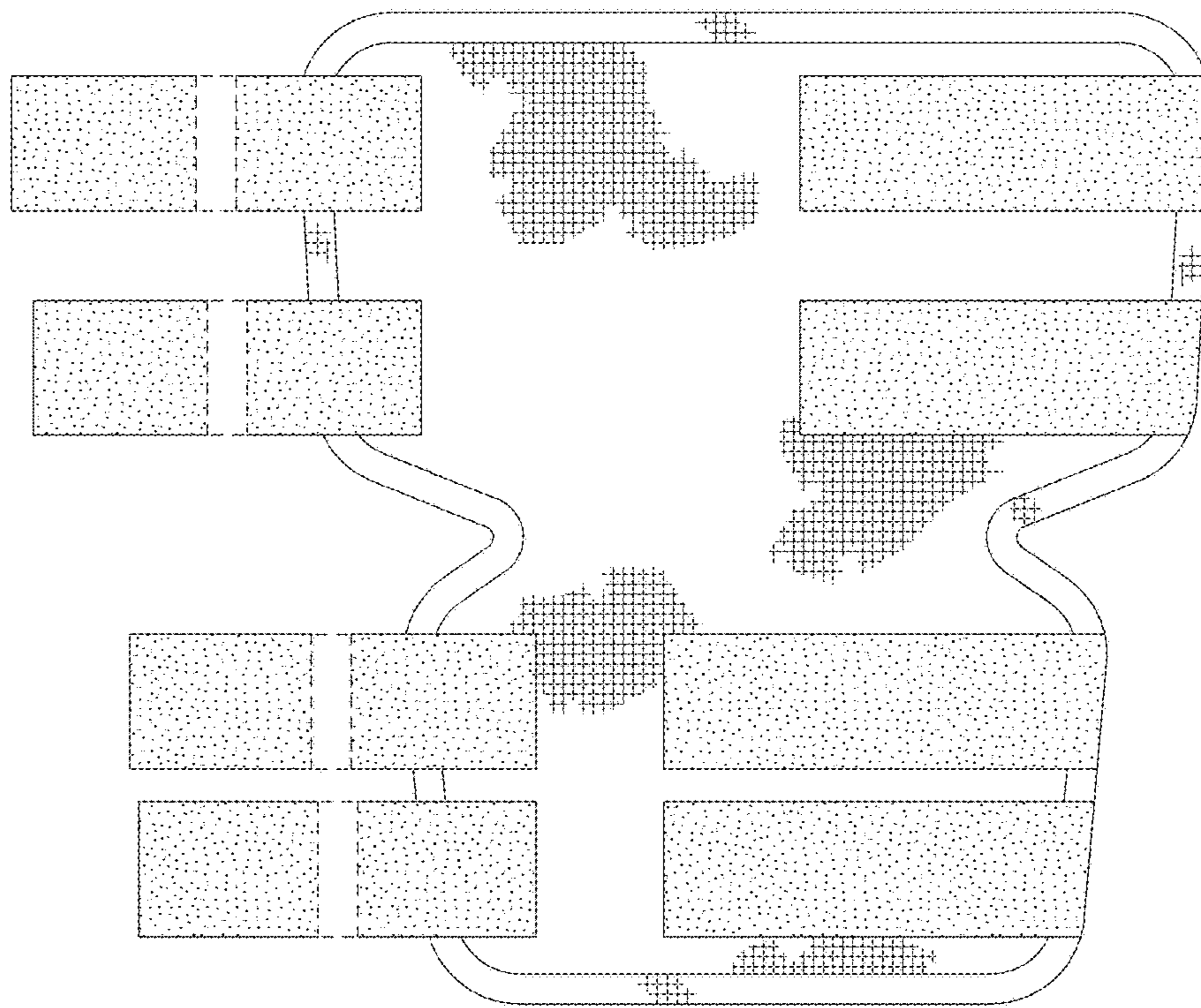


FIG. 2

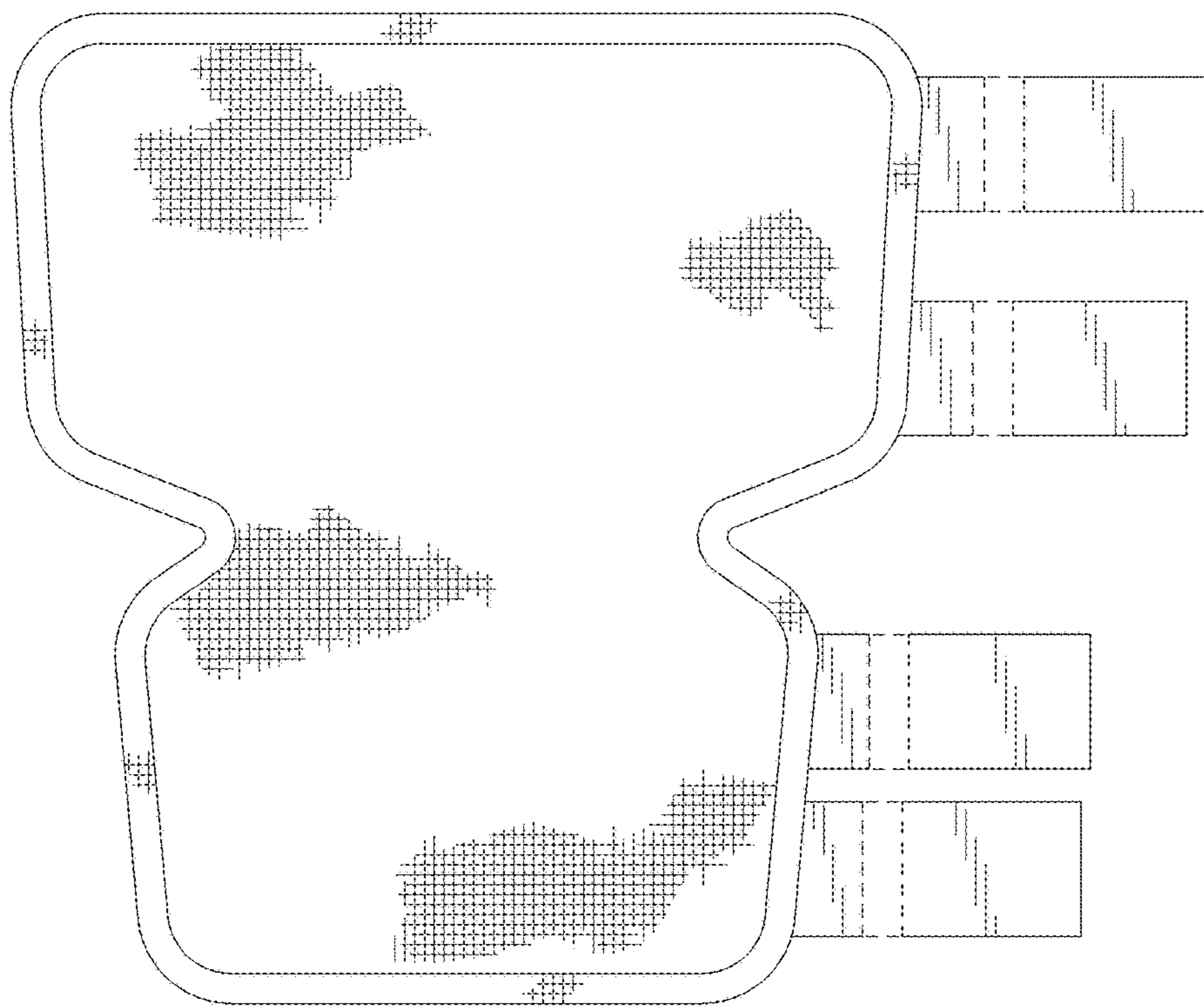


FIG. 3

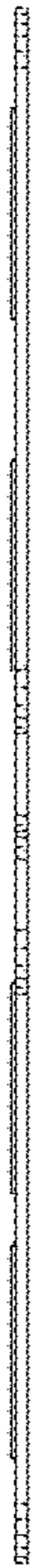


FIG. 4



FIG. 5

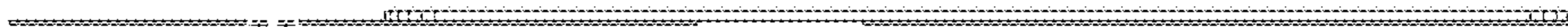


FIG. 6

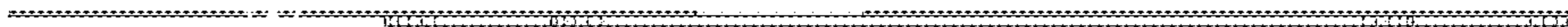


FIG. 7