



US00D863695S

(12) **United States Design Patent** (10) **Patent No.:** **US D863,695 S**  
**Adjedj** (45) **Date of Patent:** **\*\* Oct. 15, 2019**

(54) **DOG LEG BRACE**

(71) Applicant: **Yaniv Adjedj**, New York, NY (US)

(72) Inventor: **Yaniv Adjedj**, New York, NY (US)

(\*\*) Term: **15 Years**

(21) Appl. No.: **29/637,715**

(22) Filed: **Feb. 21, 2018**

(51) **LOC (12) Cl.** ..... **30-01**

(52) **U.S. Cl.**

USPC ..... **D30/144; D24/190**

(58) **Field of Classification Search**

USPC ..... D30/144, 145, 146; D24/190, 207;  
D21/683

CPC ..... A61D 9/00; A01K 13/006; A01K 13/007  
See application file for complete search history.

(56) **References Cited**

**U.S. PATENT DOCUMENTS**

5,024,216	A *	6/1991	Shiono	.....	A61F 5/0123 2/24
5,626,557	A *	5/1997	Mann	.....	A61F 5/012 602/13
D405,884	S *	2/1999	Roper	.....	D24/190
6,080,121	A *	6/2000	Madow	.....	A61F 5/0109 128/876
D510,140	S *	9/2005	Brown	.....	D24/190
D533,668	S *	12/2006	Brown	.....	D24/200
D626,243	S *	10/2010	Sagnip	.....	D24/190
7,819,830	B2 *	10/2010	Sindel	.....	A61F 5/0109 128/882
D671,690	S *	11/2012	Brady	.....	D29/120.1
D703,824	S *	4/2014	Ferguson, Jr.	.....	D21/683
D725,839	S *	3/2015	MacGuinness	.....	A01K 13/008 D30/145
2015/0114312	A1 *	4/2015	Cacopardo	.....	A01K 13/006 119/850

**OTHER PUBLICATIONS**

“Agon Dog Rear Leg Hock Brace.” Found online Apr. 10, 2019 at www.agonusa.com. Product reviewed Mar. 9, 2017. Retrieved from URL: https://www.agonusa.com/product/leg-braces-for-dogs/ (Year: 2017).\*

\* cited by examiner

*Primary Examiner* — Garth Rademaker

*Assistant Examiner* — Katelin G Kloberg

(74) *Attorney, Agent, or Firm* — Dunlap Bennett & Ludwig PLLC

(57) **CLAIM**

The ornamental design for a dog leg brace, as shown and described.

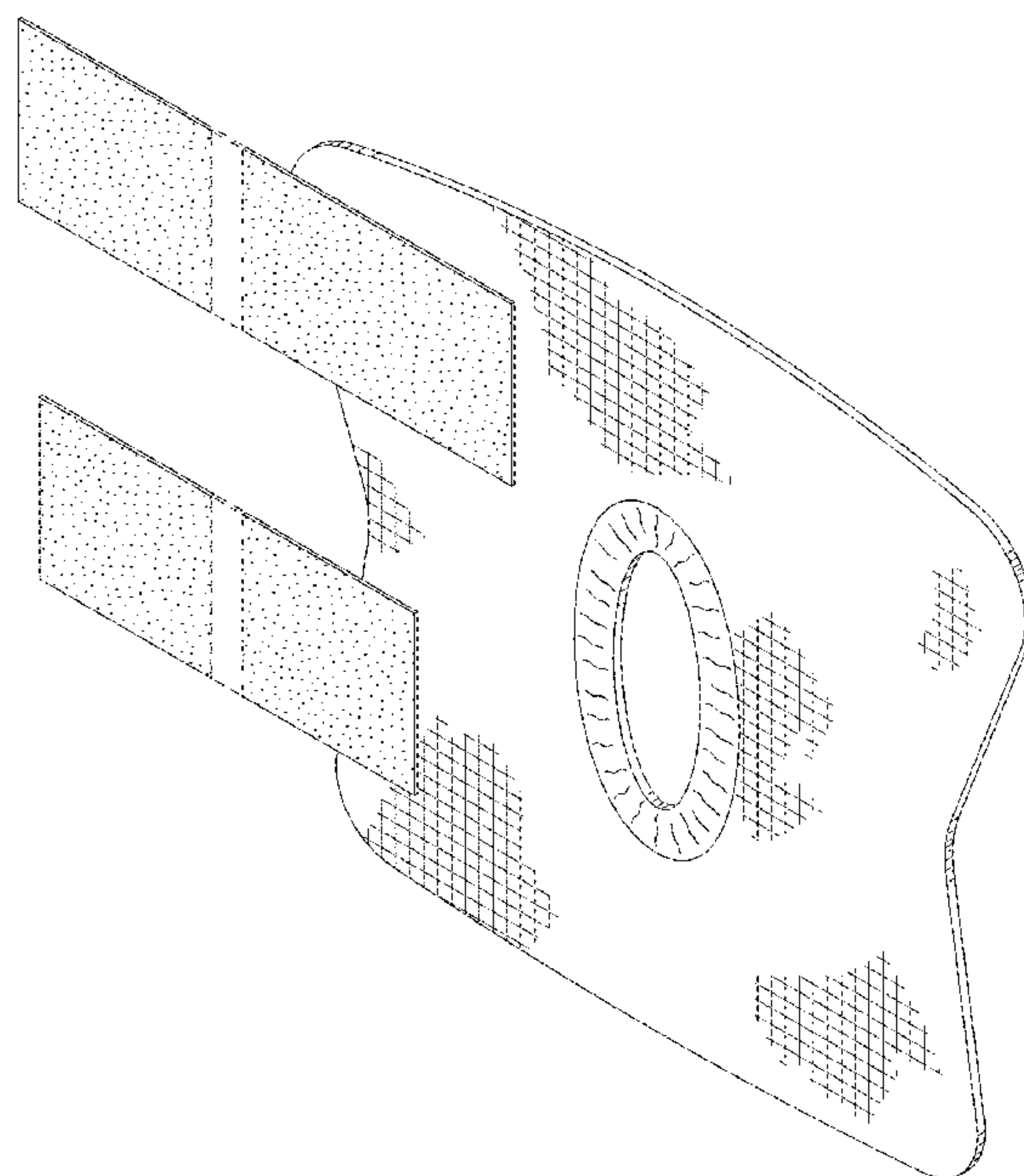
**DESCRIPTION**

FIG. 1 is a front perspective view of a dog leg brace, showing my new design;  
FIG. 2 is a front elevation view thereof;  
FIG. 3 is a rear elevation view thereof;  
FIG. 4 is a right elevation view thereof;  
FIG. 5 is a left elevation view thereof;  
FIG. 6 is a top plan view thereof; and,  
FIG. 7 is a bottom plan view thereof.

The broken lines immediately adjacent to the stippled shading are boundaries and form no part of the claimed design. All other broken lines depict portions of the article that form no part of the claimed design.

The use of stippling indicates a contrasting appearance with the adjacent hatching-shaded portion of the dog leg brace.

**1 Claim, 4 Drawing Sheets**



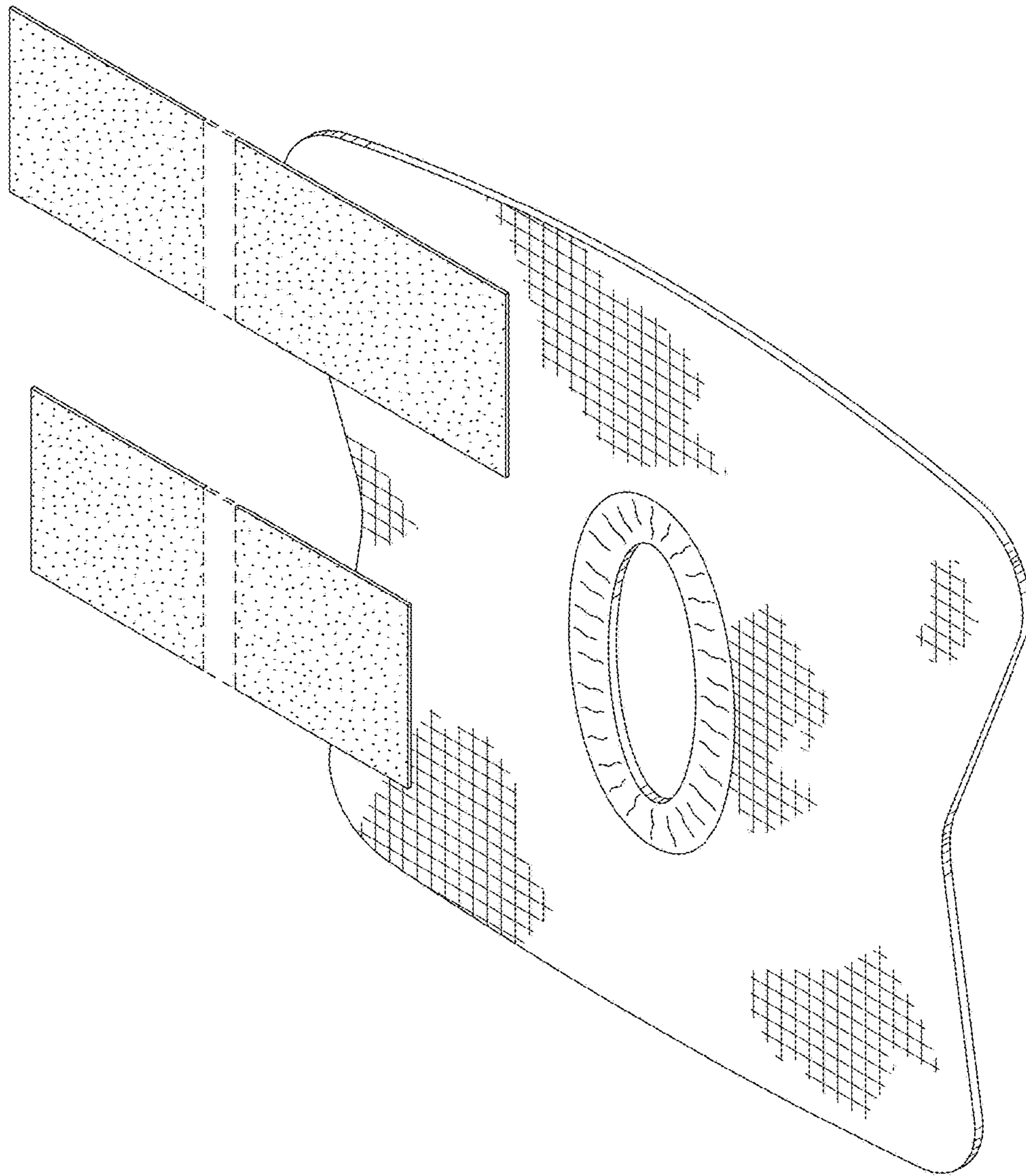


FIG. 1

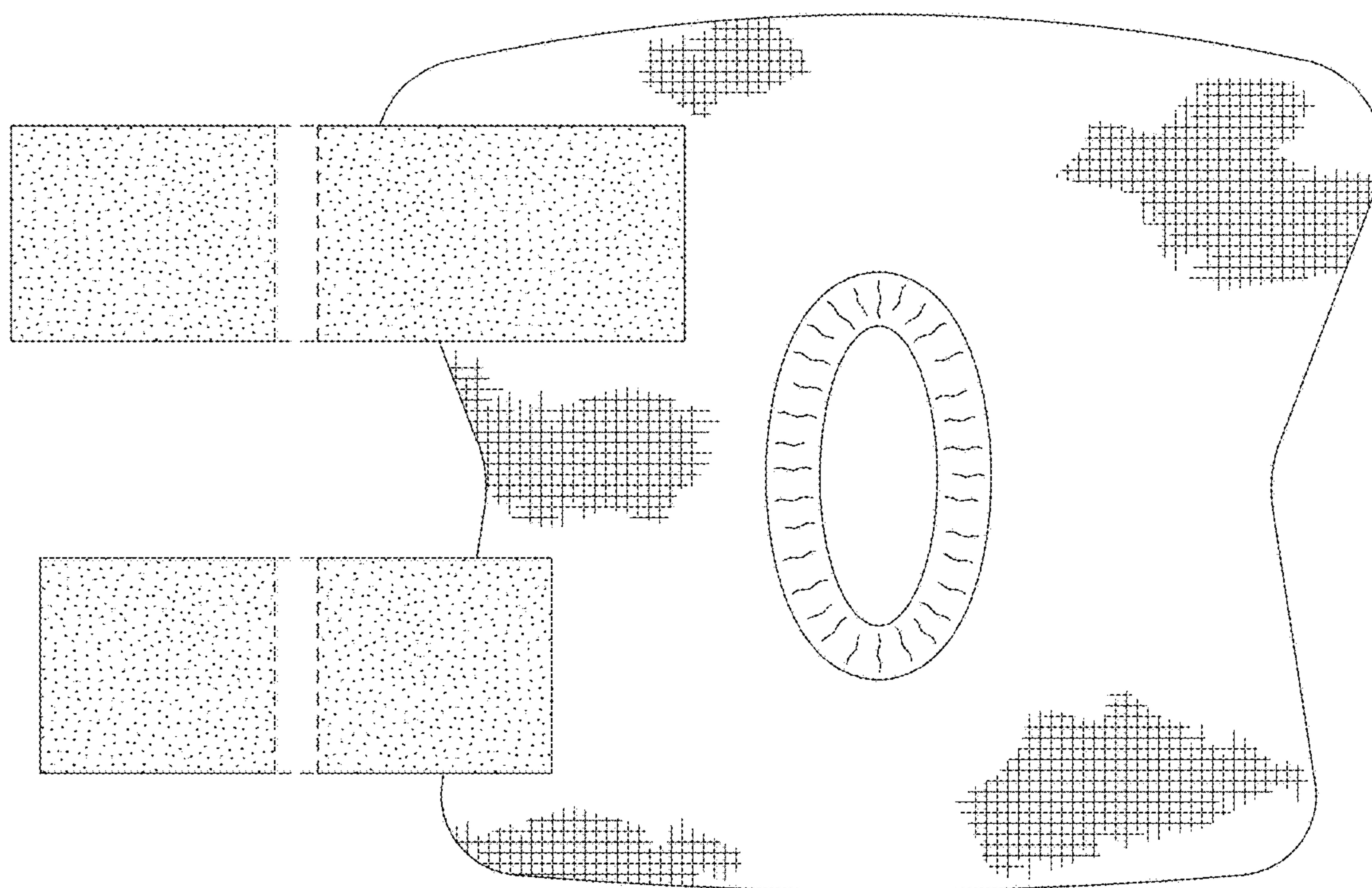


FIG. 2

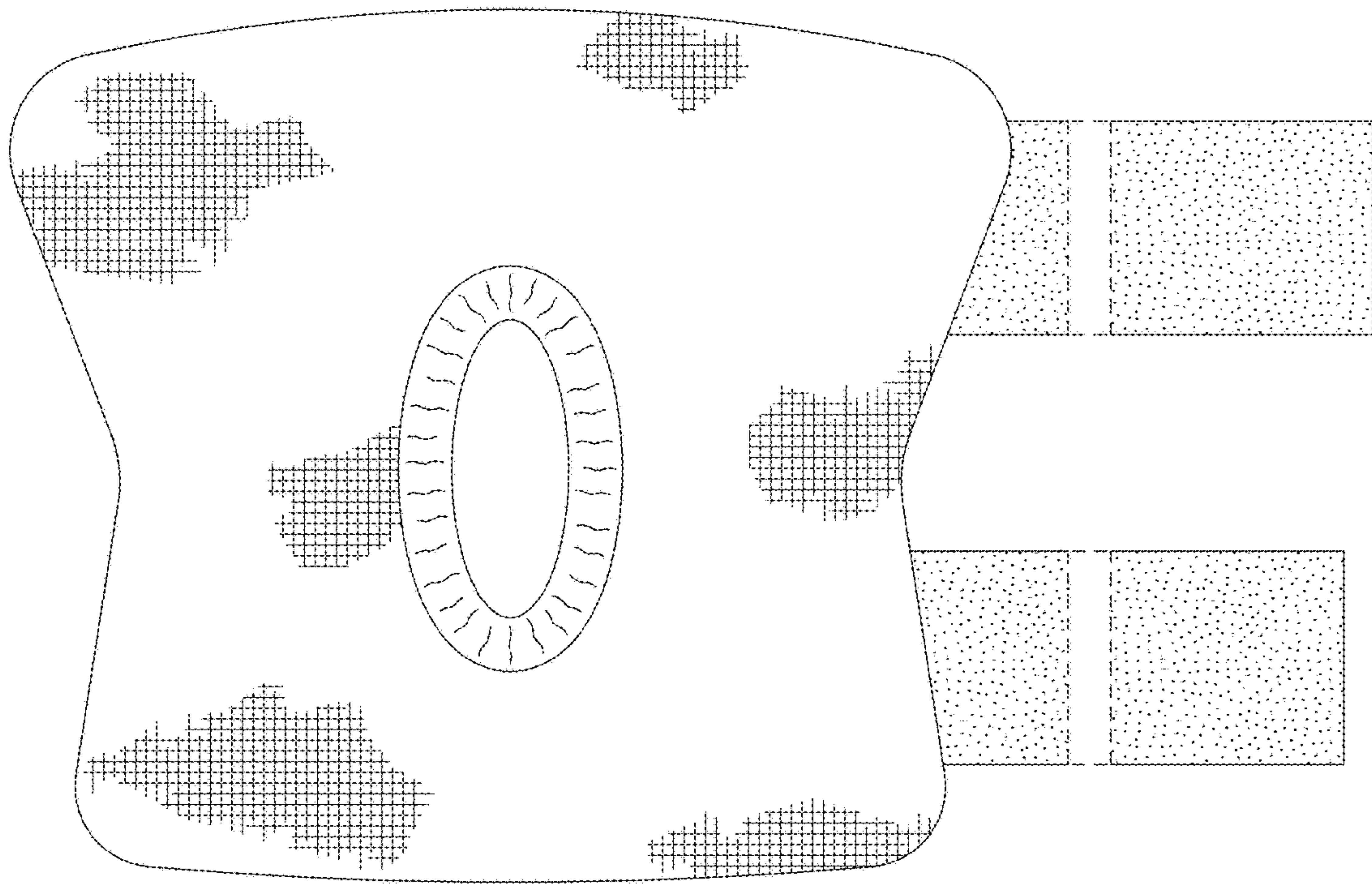


FIG. 3





FIG. 4

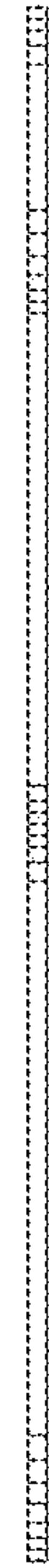


FIG. 5

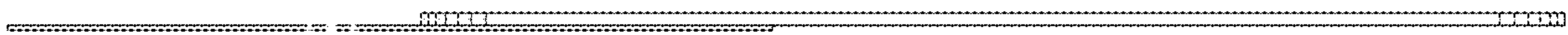


FIG. 6

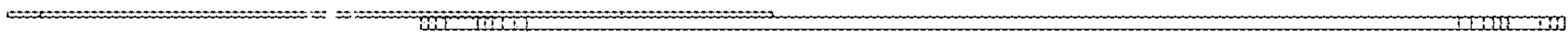


FIG. 7