



US00D863694S

(12) **United States Design Patent** (10) **Patent No.:** **US D863,694 S**
Pan (45) **Date of Patent:** **** Oct. 15, 2019**

(54) **PET DRINK BOTTLE**
(71) Applicant: **Min Pan**, Hangzhou (CN)
(72) Inventor: **Min Pan**, Hangzhou (CN)
(73) Assignee: **Min Pan**, Hangzhou (CN)
(**) Term: **15 Years**
(21) Appl. No.: **29/606,363**
(22) Filed: **Jun. 3, 2017**
(51) **LOC (12) Cl.** **30-03**
(52) **U.S. Cl.**
USPC **D30/132; D30/121**
(58) **Field of Classification Search**
USPC D30/121-133; 119/51.01, 61, 51.04, 53, 119/57.91, 54, 53.5, 52.4, 51.11, 63, 61.2, 119/52.1, 57.5, 57.6, 51.13, 62, 75, 500, 119/501, 72, 72.5, 74, 77-81, 61.56, 51.5; 239/7, 687, 379, 397.5; 222/199, 181.1, 222/181.2, 185.1, 557, 156, 485, 486, 222/548, 555, 207, 205, 424, 438, 48, 222/206, 212, 215, 460, 461, 525, 86, 89; 220/200, 227, 247, 262, 694, 700, 701, 220/703, 660-662, 521, 705, 709, 287, 220/523, 574, 6, 771, 737, 23.83, 212, 220/4.22, 847; 221/174, 185.1, 289, 295, 221/296, 559; 454/35; 209/270, 283, 209/244; 52/194, 192; 49/279, 344, 357; D34/28; D9/531, 549, 516, 523, 524, D9/530, 538, 541, 544, 559, 719, 716, D9/424, 426, 432, 428, 431, 433, 739, D9/449, 552, 562, 565, 563; D7/300, D7/300.1, 302-305, 312, 316, 317, D7/507-512, 523, 524, 528, 700, 709, D7/605, 620, 612, 619.1, 624.2, 624.3, D7/550.1, 571, 587, 533; D3/132, 229; D15/143, 199; D28/4, 7, 9; D19/66; 141/343, 331, 340, 384, 330, 332, 383, 141/311 R, 313, 338, 344, 345; 210/455; 215/228, 231, 235, 319-383, 386, DIG. 7,

215/388, 6, 12.1, 10, 13.1; 4/258, 259, 4/267; 206/459.1, 459.5, 501, 45.23, 6, 206/514, DIG. 10, 217, 543, 544, 546, 206/549, 223, 241, 541, 518, 522, 557, 206/591; 224/148.4, 148.7, 650; D6/682; 294/32; D26/37-41; D23/366, D23/369
CPC . A01K 7/00; A01K 7/005; A01K 7/02; A01K 7/022; A01K 7/06; A01K 39/0213; A01K 39/02; A01K 5/0114; B65D 41/26; B65D 41/265; B65D 41/28; B65D 41/32; B65D 41/325; B65D 41/34; B65D 41/56;
(Continued)

(56) **References Cited**

U.S. PATENT DOCUMENTS

D132,178 S * 4/1942 Holslag D34/1
D256,431 S * 8/1980 Campbell D9/523
(Continued)

Primary Examiner — Susan Moon Lee
(74) *Attorney, Agent, or Firm* — Fogarty LLP

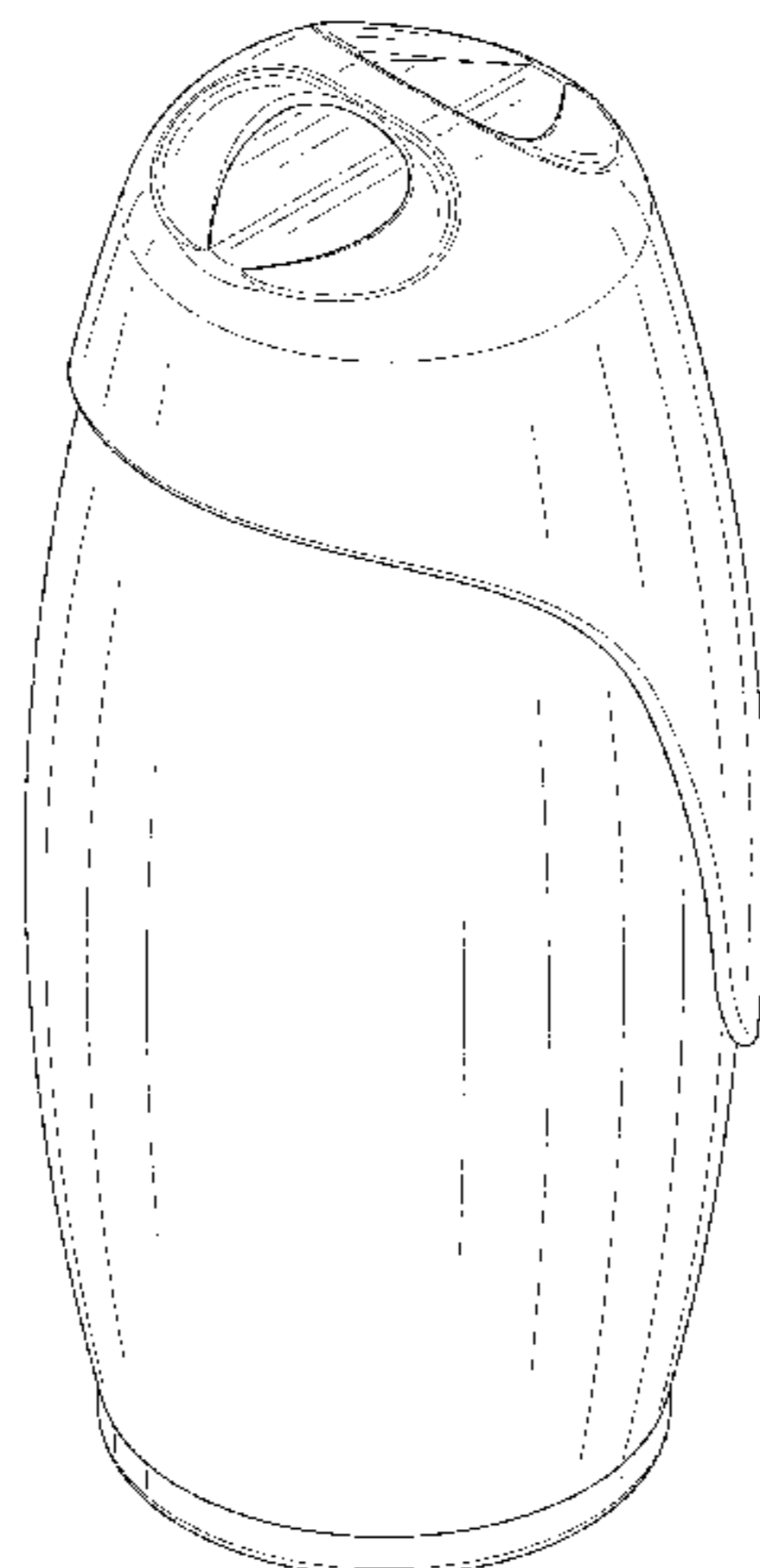
(57) **CLAIM**

The ornamental design for a pet drink bottle, as shown and described.

DESCRIPTION

FIG. 1 is a top perspective view of a pet drink bottle;
FIG. 2 is a rear view thereof;
FIG. 3 is a front view thereof;
FIG. 4 is a right side view thereof;
FIG. 5 is a left side view thereof;
FIG. 6 is a top view thereof;
FIG. 7 is a bottom view thereof; and,
FIG. 8 is a bottom perspective view thereof.
The broken lines depict exemplary graphics that form no part of the design claim but are shown for illustrative purposes.

1 Claim, 7 Drawing Sheets



(58) **Field of Classification Search**

CPC B65D 51/20; B65D 51/249; B65D 51/24;
 B65D 51/28; B65D 47/243; B65D
 2205/04; B65D 21/0238; B65D 81/3205;
 B65D 81/3216; B65D 71/50; B65D
 77/2024; B65D 43/0212; B65D
 2517/0049; B65D 2543/00046; B65D
 2543/00092; B65D 2543/00537; B65D
 2543/00731; B65D 2543/00796; B65D
 2577/205; A61J 9/00; A61J 9/006; A61J
 9/001; A61J 9/003; A61J 11/04; A61J
 19/00; B65B 39/00; B65B 39/001; B65B
 39/005; B65B 39/007; B67C 11/02; G01F
 11/286; B67B 7/28; A45F 3/16; A45F
 3/20; A45F 3/46; A45F 5/102; A45F
 2005/1066; A45F 2005/1073; A45F
 2200/0583; A47G 19/2266; A47G
 19/2272; A47G 2019/2277; A47G
 23/0241; A47G 2023/0291

See application file for complete search history.

(56) **References Cited**

U.S. PATENT DOCUMENTS

D321,131 S * 10/1991 Wiseman D9/552
 D321,132 S * 10/1991 Wiseman D9/552
 D327,640 S * 7/1992 Sherman D9/543
 D332,920 S * 2/1993 Tiramani D9/552
 D343,926 S * 2/1994 Garouste D28/88
 D430,658 S * 9/2000 Farce D23/366
 D432,222 S * 10/2000 Rymer D23/360
 D433,744 S * 11/2000 Basaganas D23/360
 D435,098 S * 12/2000 Kemmis D23/366
 D462,755 S * 9/2002 Basaganas Millan D23/366
 D468,643 S * 1/2003 Kuzma D9/552
 D479,949 S * 9/2003 Janky D7/510
 D480,308 S * 10/2003 Grisdale D9/520
 D501,546 S * 2/2005 Cruver, IV D23/366
 D501,921 S * 2/2005 Caserta D23/366
 D502,404 S * 3/2005 Hunt D9/530
 D502,540 S * 3/2005 Cruver, IV D23/366
 D509,745 S * 9/2005 Hill D9/529
 D510,423 S * 10/2005 Caserta D23/366
 D512,769 S * 12/2005 Wefler D23/366
 D513,474 S * 1/2006 Choi D9/449
 D518,565 S * 4/2006 Chen D23/366
 D534,641 S * 1/2007 Chen D23/366
 D535,004 S * 1/2007 Furner D23/366
 D538,915 S * 3/2007 Anderson D23/366
 D539,892 S * 4/2007 Caserta D23/366
 D547,850 S * 7/2007 Michaels D23/366
 D548,317 S * 8/2007 Newton D23/366
 D552,479 S * 10/2007 Mongeon D9/565
 D556,049 S * 11/2007 Mongeon D9/565
 D561,883 S * 2/2008 Cantoni D23/366
 D566,549 S * 4/2008 Russell D9/445
 D567,918 S * 4/2008 Hundertmark D23/366
 D567,920 S * 4/2008 Cantoni D23/366
 D568,454 S * 5/2008 Bellofatto D23/366
 RE40,392 E * 6/2008 Rymer D23/360
 D580,039 S * 11/2008 Zlotnik D23/366
 D582,537 S * 12/2008 Kay D23/366
 D583,038 S * 12/2008 Kay D23/366
 D583,039 S * 12/2008 Kay D23/366
 D583,453 S * 12/2008 Kay D23/366
 D583,454 S * 12/2008 Kay D23/366
 D583,455 S * 12/2008 Kay D23/366
 D583,457 S * 12/2008 Kay D23/366

D583,921 S * 12/2008 Kay D23/366
 D584,391 S * 1/2009 Howlett D23/366
 D587,127 S * 2/2009 Moreira D9/559
 D597,192 S * 7/2009 Drucker D23/366
 D597,646 S * 8/2009 Chapman D23/366
 D603,703 S * 11/2009 Daggett B65D 43/161
 D9/449
 D604,402 S * 11/2009 Tomas Vilarasa D23/366
 D606,867 S * 12/2009 Fugate D9/529
 D614,495 S * 4/2010 Toh D9/516
 D614,959 S * 5/2010 Floyd D9/516
 D624,361 S * 9/2010 Roth D7/509
 D626,836 S * 11/2010 Lien
 D628,885 S * 12/2010 Hale D9/449
 D632,582 S * 2/2011 Kuzma D9/530
 D639,922 S * 6/2011 Howlett D23/366
 D643,738 S * 8/2011 Cummings D9/563
 D650,680 S * 12/2011 Hodges D9/521
 D657,860 S * 4/2012 Sordo D23/366
 D663,018 S * 7/2012 Sordo D23/366
 D666,107 S * 8/2012 Blachford D9/682
 D675,308 S * 1/2013 Freeborn D23/366
 D675,309 S * 1/2013 Freeborn D23/366
 D684,432 S * 6/2013 Stein D7/607
 D689,181 S * 9/2013 Irvin D23/366
 D691,253 S * 10/2013 Chen D23/366
 D697,424 S * 1/2014 Adams B65D 83/205
 D9/445
 D700,056 S * 2/2014 Crawford D9/516
 D704,067 S * 5/2014 Scott D9/449
 D711,740 S * 8/2014 Lien
 D713,517 S * 9/2014 Dodge D23/366
 D713,518 S * 9/2014 Carbone D23/366
 D717,665 S * 11/2014 Dubitsky D9/689
 D736,563 S * 8/2015 George D7/510
 D741,180 S * 10/2015 Higareda D9/523
 D741,657 S * 10/2015 George D7/509
 D743,261 S * 11/2015 Jordan D9/529
 D745,404 S * 12/2015 Julier D9/521
 D758,132 S * 6/2016 Breit D7/510
 D758,133 S * 6/2016 Peng D7/510
 D759,495 S * 6/2016 Hawry D9/563
 D764,231 S * 8/2016 Szymanski D7/392.1
 9,402,374 B2 * 8/2016 Landon A01K 5/0114
 D774,834 S * 12/2016 Breit
 D786,617 S * 5/2017 Breit D7/509
 D800,563 S * 10/2017 Nguyen D9/523
 D803,372 S * 11/2017 Gobber D23/366
 D808,721 S * 1/2018 Soni D7/510
 D810,510 S * 2/2018 Serruya D7/511
 D814,865 S * 4/2018 Breit D7/510
 D817,714 S * 5/2018 Breit D7/510
 D825,269 S * 8/2018 Fu D7/510
 D828,530 S * 9/2018 Brandenburg D23/366
 D838,597 S * 1/2019 Oates D9/529
 D839,051 S * 1/2019 Potter D7/510
 D839,675 S * 2/2019 Beckman D7/511
 D846,948 S * 4/2019 Chin D7/510
 D849,223 S * 5/2019 Brandenburg D23/366
 2006/0113336 A1 * 6/2006 Spencer A45F 3/20
 224/148.2
 2007/0079762 A1 * 4/2007 Stephanos A01K 7/00
 119/74
 2008/0087224 A1 * 4/2008 Wechsler A01K 7/00
 119/52.1
 2012/0298045 A1 * 11/2012 Wechsler A01K 7/00
 119/52.1
 2015/0298867 A1 * 10/2015 Sanderson B65D 41/26
 215/6
 2016/0316896 A1 * 11/2016 Breit A45F 3/16
 2017/0354120 A1 * 12/2017 Yang A01K 7/00

* cited by examiner

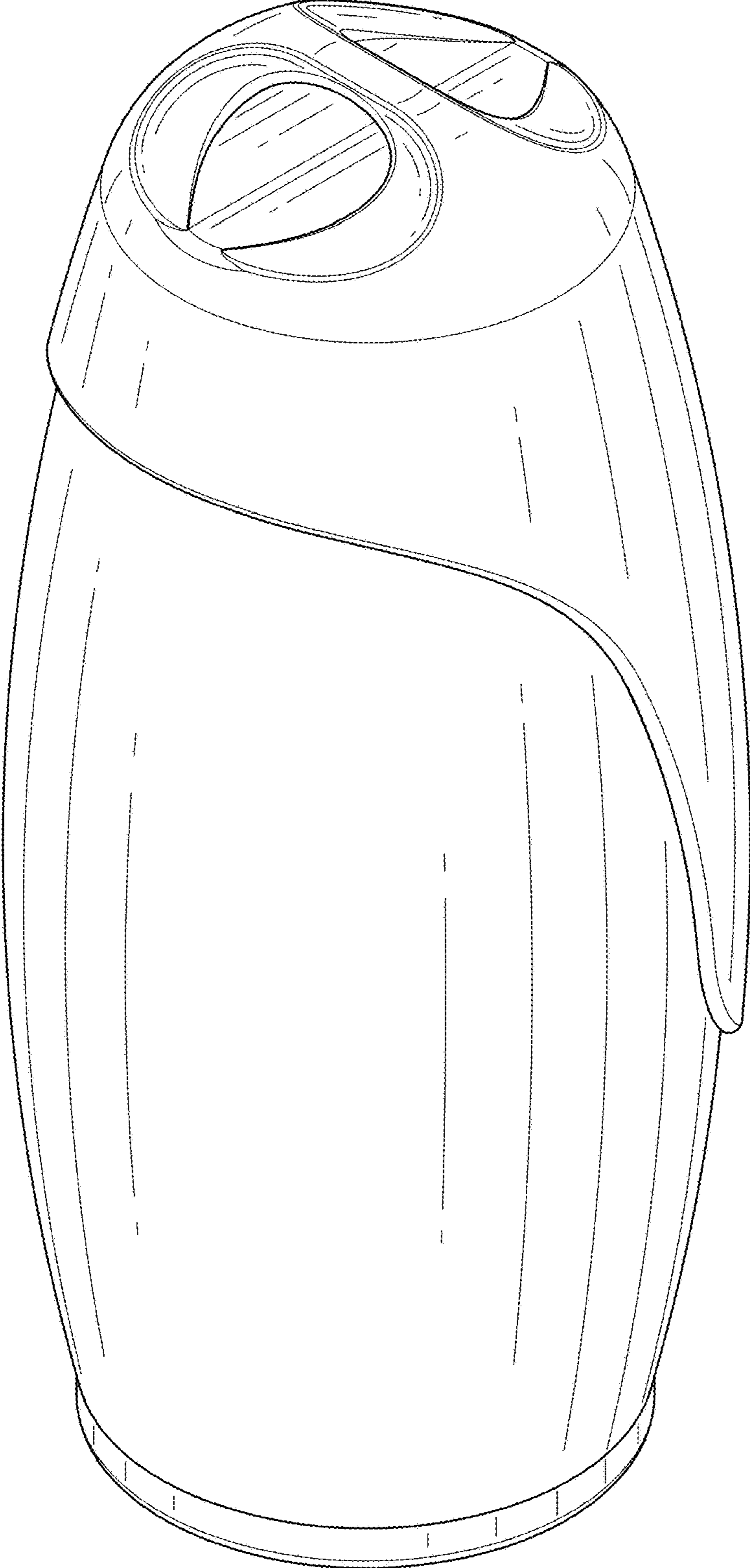


FIG. 1

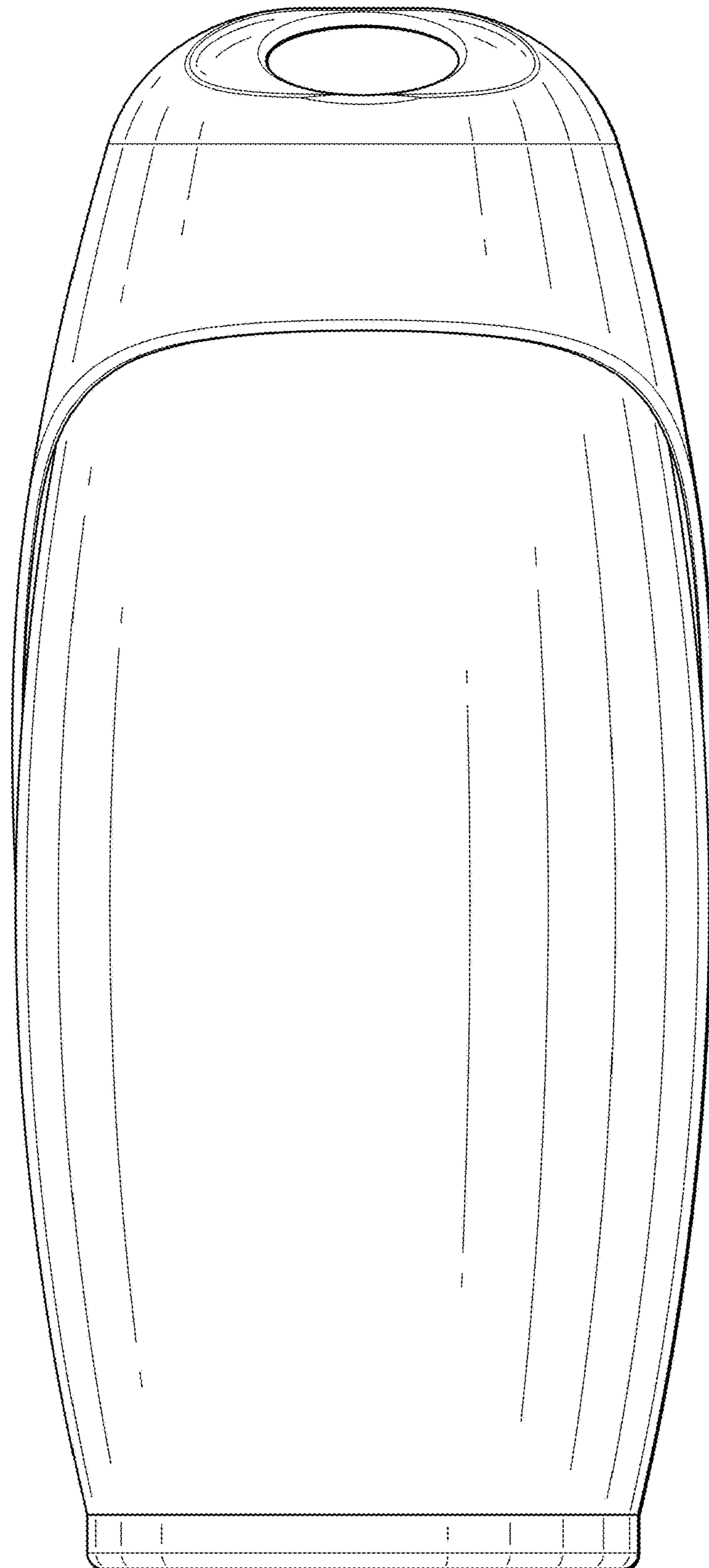


FIG. 2



FIG. 3

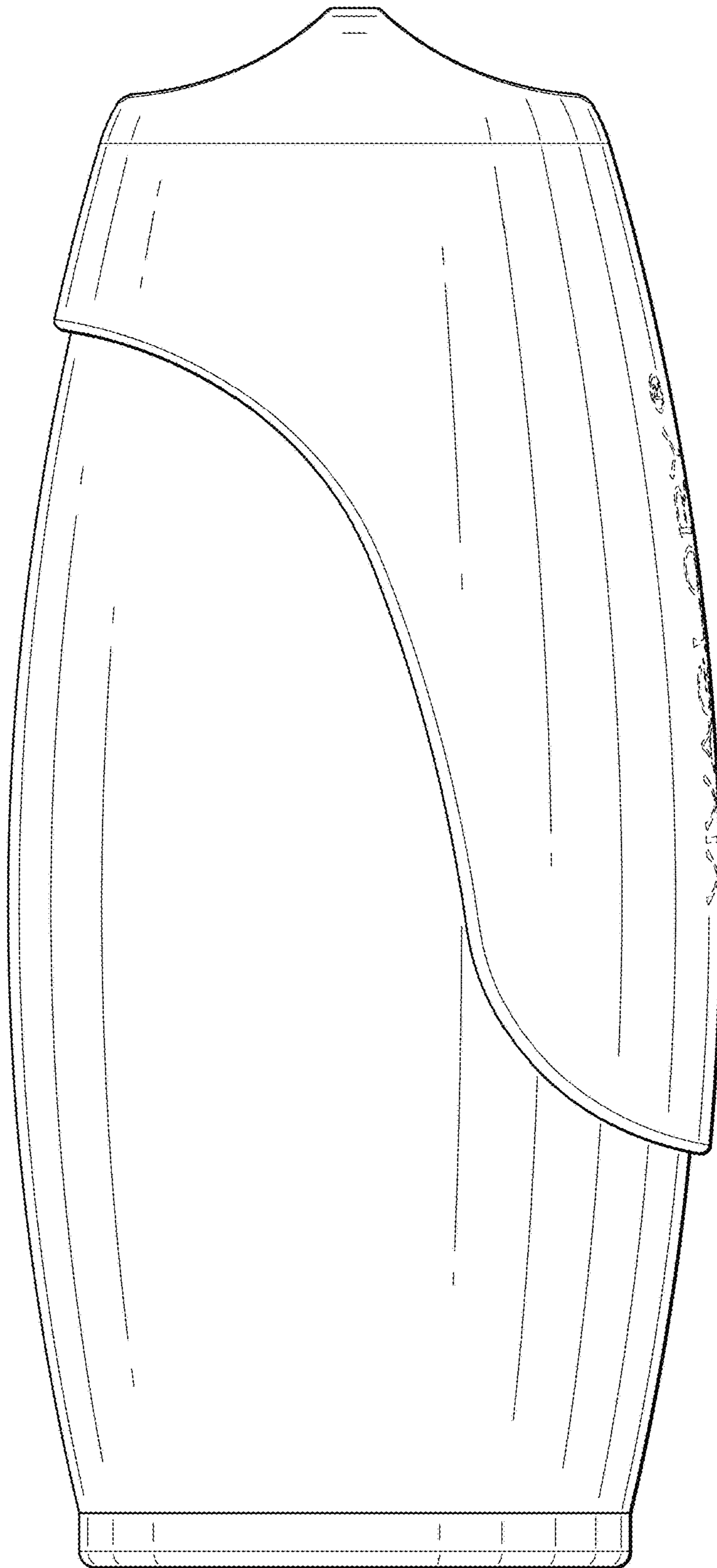


FIG. 4

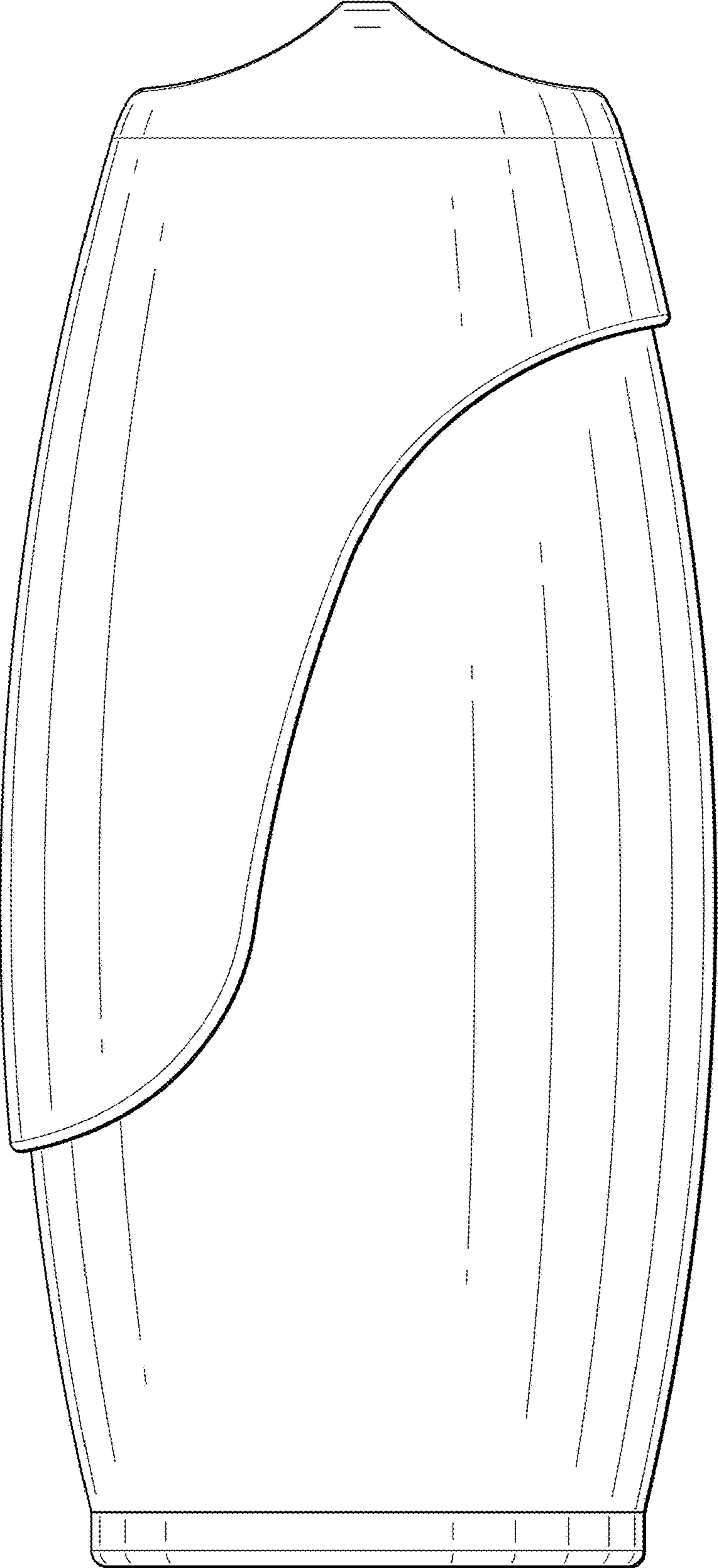


FIG. 5

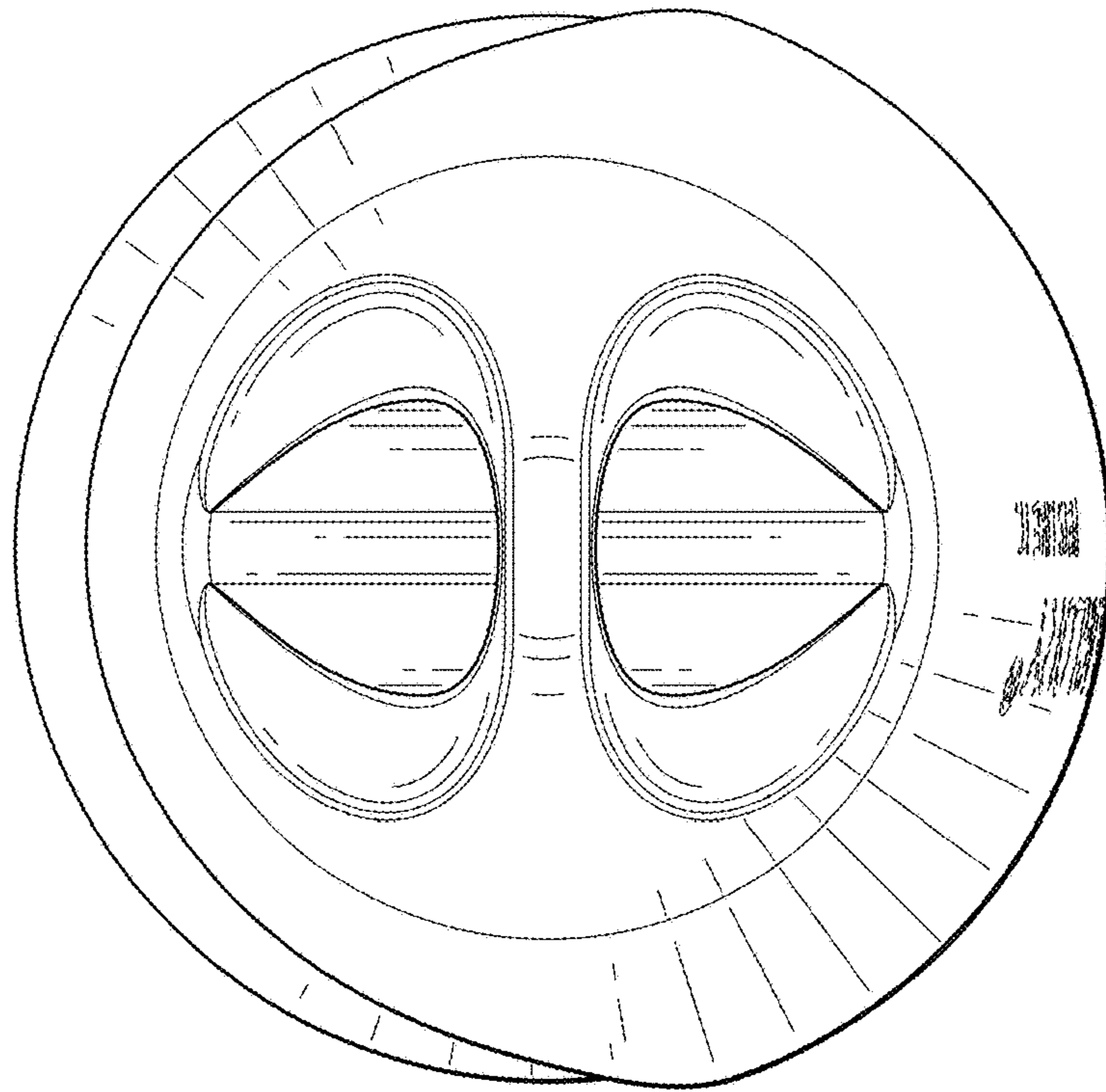


FIG. 6

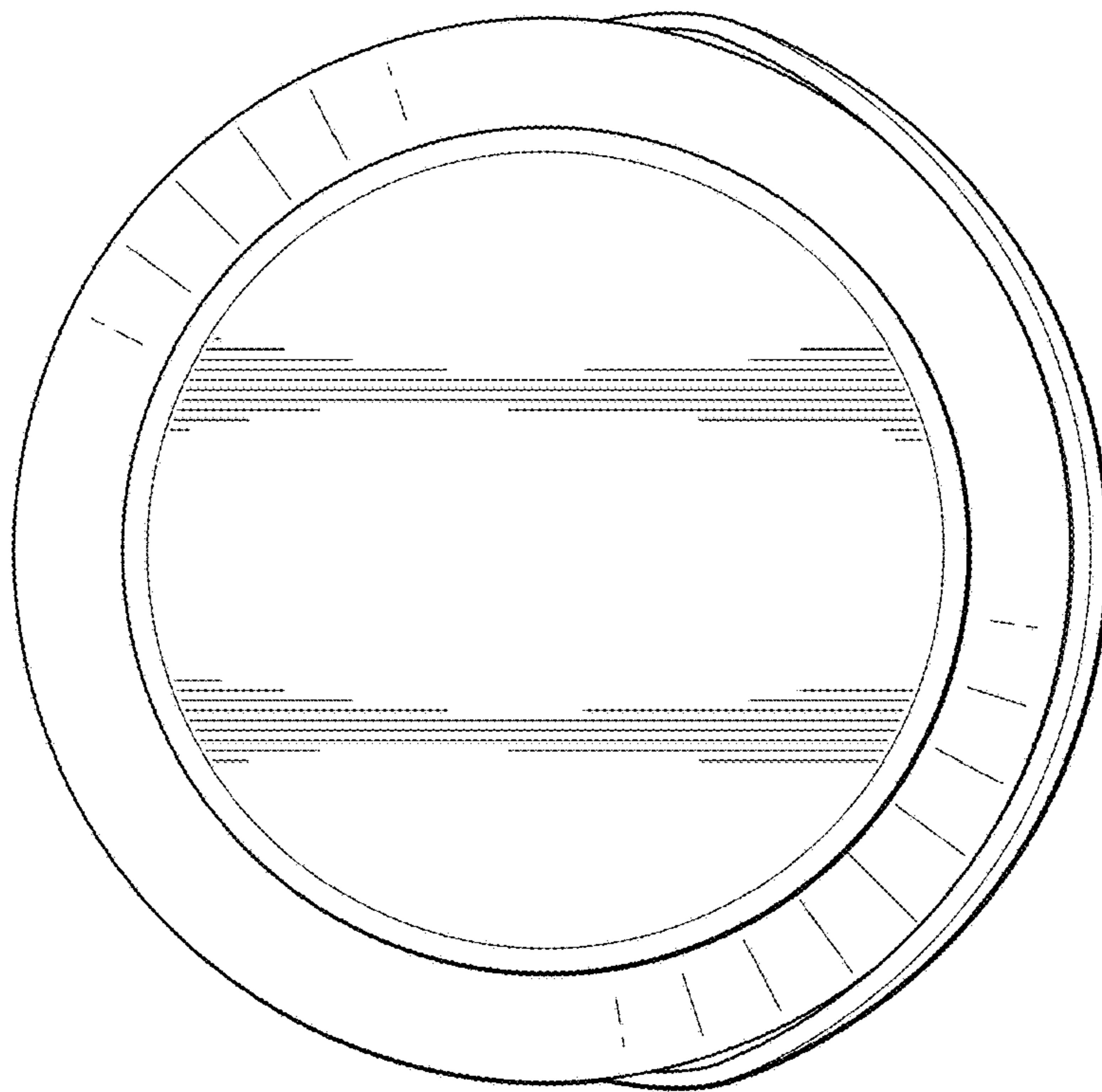


FIG. 7

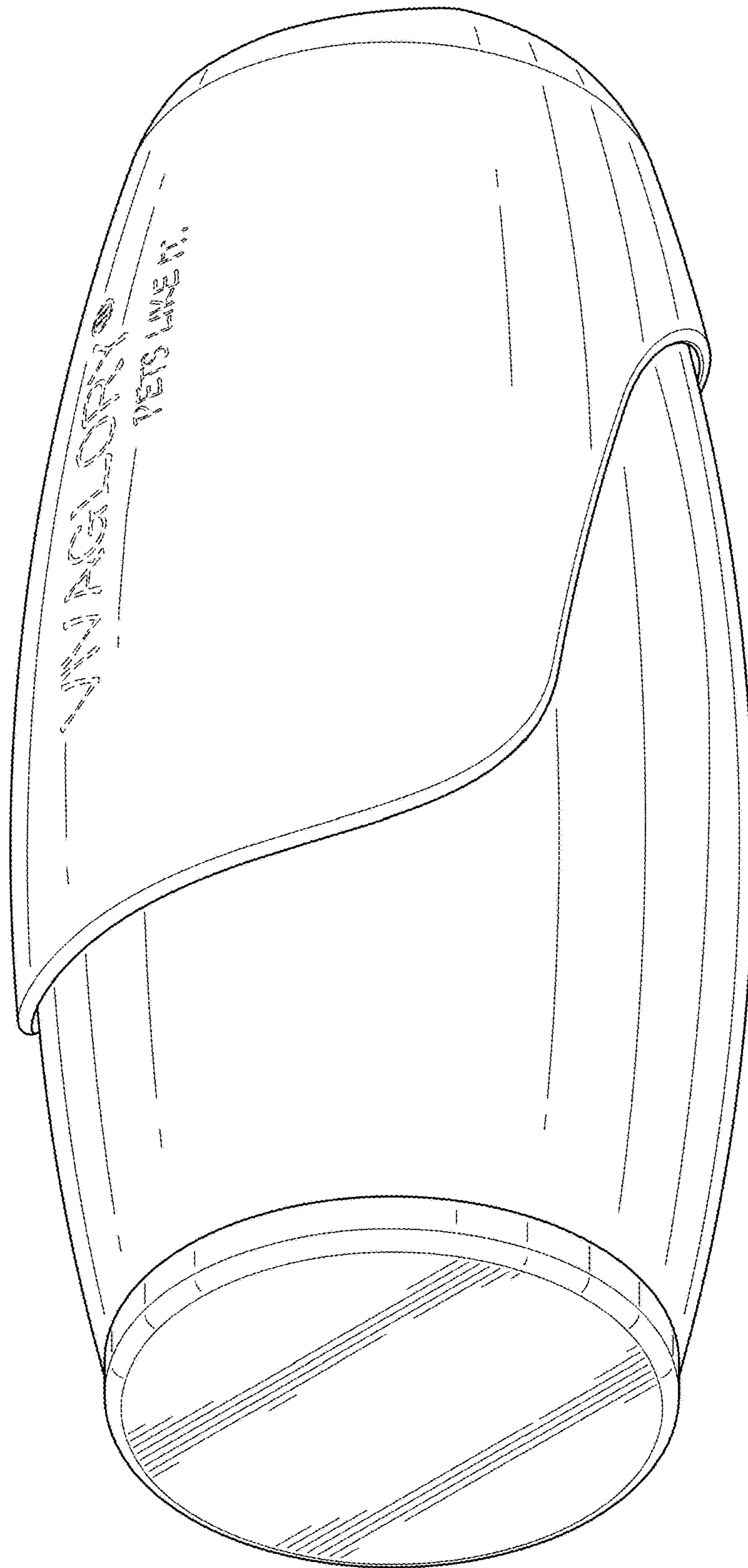


FIG. 8