



US00D863693S

(12) **United States Design Patent**  
**Ellis et al.**

(10) **Patent No.:** **US D863,693 S**

(45) **Date of Patent:** **\*\* Oct. 15, 2019**

(54) **BIRD FEEDER**

(71) Applicant: **Syll Innovations, LLC**, Poughkeepsie, NY (US)

(72) Inventors: **Lisa Marie Ellis**, Marlboro, NY (US);  
**Dennis Gerard Ellis**, Marlboro, NY (US)

(73) Assignee: **Syll Innovations, LLC**, Poughkeepsie, NY (US)

(\*\*) Term: **15 Years**

(21) Appl. No.: **29/636,675**

(22) Filed: **Feb. 9, 2018**

(51) **LOC (12) Cl.** ..... **30-03**

(52) **U.S. Cl.**  
USPC ..... **D30/124**

(58) **Field of Classification Search**  
USPC ..... D30/121, 124, 126–129, 133, 199,  
D30/110–112, 123, 125; 119/52.2, 51.5,  
(Continued)

(56) **References Cited**

U.S. PATENT DOCUMENTS

535,020 A \* 3/1895 Powell ..... A01K 5/0114  
119/51.01  
1,446,231 A 2/1923 West  
(Continued)

FOREIGN PATENT DOCUMENTS

CN 202 680 217 U 1/2013  
WO WO 2018/027120 A1 2/2018  
WO WO 2019/040861 A1 2/2019

OTHER PUBLICATIONS

“Window Bird Feeders,” Duncraft, Wild Bird Superstore, [www.duncraft.com/Window-Bird-Feeders?view\\_all](http://www.duncraft.com/Window-Bird-Feeders?view_all) (2017). [Retrieved Jan. 6, 2017].

(Continued)

Primary Examiner — Susan Moon Lee

(74) *Attorney, Agent, or Firm* — Jenkins, Wilson, Taylor & Hunt, P.A.

(57) **CLAIM**

The ornamental design for a bird feeder, as shown and described.

**DESCRIPTION**

FIG. 1 is a front perspective view of the bird feeder showing our design;

FIG. 2 is a front elevation view thereof;

FIG. 3 is a rear elevation view thereof;

FIG. 4 is a left side elevation view thereof;

FIG. 5 is a right side elevation view thereof;

FIG. 6 is a top plan view thereof;

FIG. 7 is a bottom plan view thereof;

FIG. 8 is a front perspective view of the bird feeder showing an alternate position of the feet of the bird feeder as compared to that depicted in FIG. 1;

FIG. 9 is a front perspective view of the bird feeder showing another alternate position of the feet of the bird feeder as compared to that depicted in FIG. 1;

FIG. 10 is a front elevation view of the bird feeder showing another alternate position of the feet of the bird feeder as compared to that depicted in FIG. 2; and,

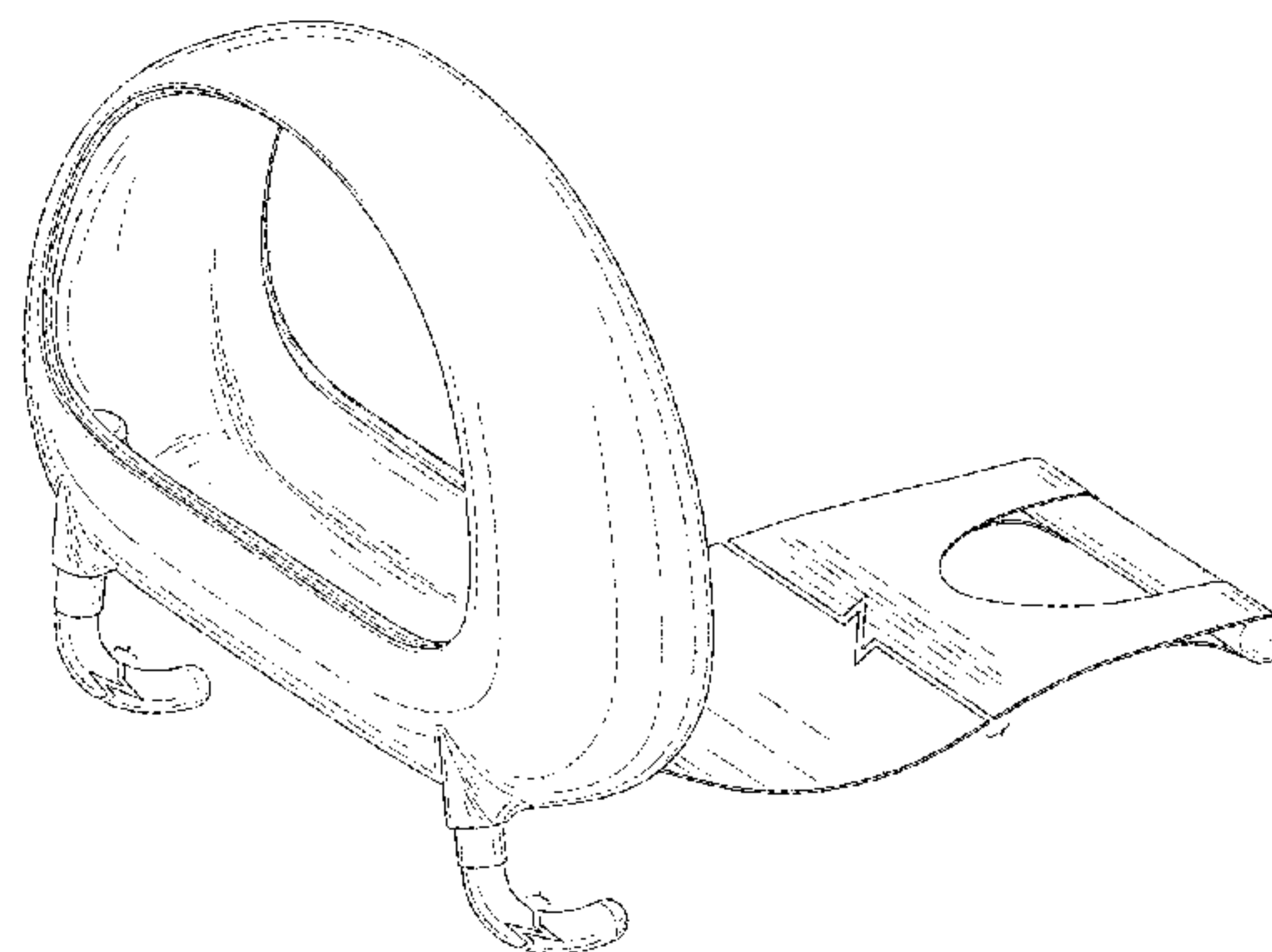
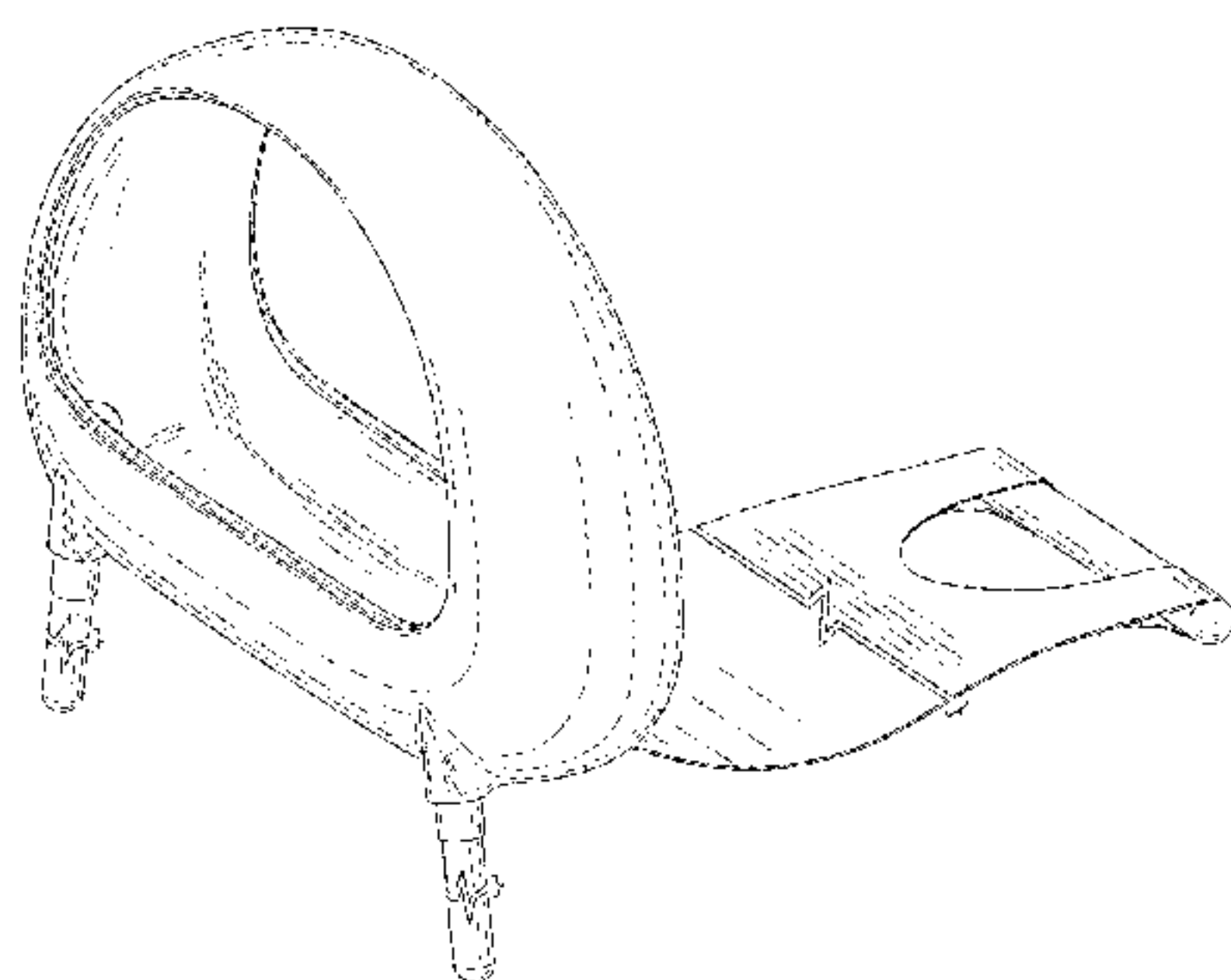
FIG. 11 is a front elevation view of the bird feeder showing another alternate position of the feet of the bird feeder as compared to that depicted in FIG. 2.

The broken lines depict exemplary elements for purposes of illustration and form no part of the design claim.

The feet and compression pad are shown broken away in FIGS. 1 through 11 to indicate indeterminate length, it being understood that such components have a uniform shape and appearance throughout its length. The appearance of any portion of the article between the break lines forms no part of the claimed design.

The design of all other structure outside of the feet, in the embodiments of FIGS. 8-11, remains the same as that depicted in the FIG. 1 embodiment.

**1 Claim, 11 Drawing Sheets**





(58) **Field of Classification Search**

USPC .... 119/61.5, 57.8, 57.9, 52.3, 61.1, 531, 63,  
119/428-435, 52.4, 55, 61.3, 69.5, 75, 76;  
47/67, 83; 248/318; D11/164, 152;  
211/128.1; D27/123; D6/495, 460, 461,  
D6/476, 405  
CPC .. A01K 39/014; A01K 39/04; A01K 39/0206;  
A01K 39/00; A01K 39/01; A01K  
39/0113; A01K 39/012; A01K 39/06;  
A01K 5/0225; A01K 5/00; A01K 31/14;  
A47H 27/00; A47G 7/044; A47G 7/045;  
A47G 7/047; E06B 7/28; G09F 7/18;  
G09F 17/00; F16M 13/02; F16M 13/022

See application file for complete search history.

(56) **References Cited**

U.S. PATENT DOCUMENTS

1,448,235 A 3/1923 Read  
1,512,792 A 10/1924 Nelson  
1,543,739 A 6/1925 Vowels  
2,151,010 A \* 3/1939 Copeman ..... A01K 31/14  
119/431  
2,430,541 A 11/1947 Thatcher  
2,531,915 A \* 11/1950 Maly ..... A01K 1/0356  
119/464  
D180,173 S \* 4/1957 Bennett ..... D11/87  
D194,109 S 11/1962 Dilley  
3,086,499 A 4/1963 Dilley  
3,089,461 A 5/1963 Dunn  
D198,568 S 7/1964 Clever  
3,211,130 A 10/1965 Prince  
3,282,251 A 11/1966 Dahmus  
3,291,100 A 12/1966 Negaard  
3,314,397 A \* 4/1967 Jacobsen ..... A01K 1/0356  
119/464  
D225,215 S 11/1972 Francis  
D237,730 S 11/1975 Hansen et al.  
4,261,294 A 4/1981 Bescherer  
4,335,547 A 6/1982 Maxwell  
4,361,116 A 11/1982 Kilham  
D274,013 S \* 5/1984 Sun ..... 119/57.8  
4,637,344 A 1/1987 Peterson  
4,649,865 A 3/1987 Riggi  
D290,414 S \* 6/1987 Gerber ..... D30/128  
D291,610 S \* 8/1987 Metzner ..... D30/124  
D302,751 S 8/1989 Baldwin  
D302,752 S 8/1989 Baldwin  
4,881,491 A 11/1989 Brown  
4,892,060 A 1/1990 Lundquist  
D308,495 S 6/1990 Honeycutt  
5,016,571 A 5/1991 Totaro  
D334,636 S \* 4/1993 Honeycutt ..... D11/145  
D342,587 S \* 12/1993 Bransky ..... D30/124  
D342,588 S \* 12/1993 Bransky ..... D30/124  
D342,589 S \* 12/1993 Bransky ..... D30/124  
D342,590 S \* 12/1993 Bransky ..... D30/124  
D350,627 S 9/1994 Moniak  
D351,690 S 10/1994 Honeycutt  
5,469,807 A 11/1995 Kosmaczeska  
D365,893 S \* 1/1996 Thorp ..... D30/124  
D381,135 S 7/1997 Hochlan, Jr.  
D396,331 S 7/1998 Niemetz  
D396,334 S \* 7/1998 Gutierrez ..... D30/121  
D407,863 S \* 4/1999 Leal ..... D30/124  
5,904,330 A \* 5/1999 Manico ..... A01K 39/00  
119/51.01  
6,062,167 A \* 5/2000 Soley ..... A01K 1/035  
119/57.8  
6,314,912 B1 11/2001 Armbruster  
6,334,407 B1 1/2002 Schneider  
6,397,779 B1 \* 6/2002 Bonne ..... A01K 39/012  
119/429  
6,857,394 B2 2/2005 Redford

D515,246 S 2/2006 Lory, II  
D522,185 S 5/2006 Donegan  
7,162,972 B2 1/2007 Stachowiak  
D561,955 S 2/2008 McDonough  
D566,906 S 4/2008 Rogers  
7,392,763 B2 7/2008 Willinger et al.  
D657,919 S \* 4/2012 Papworth ..... D30/128  
D658,338 S 4/2012 Law  
D831,899 S \* 10/2018 Ellis ..... D30/126  
D853,662 S 7/2019 Ellis et al.  
2003/0161147 A1 \* 8/2003 Chang ..... F21L 14/02  
362/186  
2006/0137618 A1 6/2006 Poirier et al.  
2007/0169706 A1 7/2007 Vagedes et al.  
2008/0134430 A1 6/2008 Kirmon  
2009/0223456 A1 \* 9/2009 Hunter ..... A01K 39/012  
119/53  
2010/0175630 A1 7/2010 Stetson  
2015/0342153 A1 12/2015 Hudepohl  
2016/0165855 A1 6/2016 MacKelvie  
2018/0035650 A1 \* 2/2018 Ellis ..... A01K 39/04  
2019/0059626 A1 \* 2/2019 Ellis ..... A47H 27/00

OTHER PUBLICATIONS

“Mirrored Windowsill Feeder, Item No. 25900,” Covese Conservation Products, Casco, Maine 04015, [https://www.coveside.com/\\_store/card\\_view.asp?itemnr=25900](https://www.coveside.com/_store/card_view.asp?itemnr=25900) (Date Unknown). [Retrieved Jan. 6, 2017].  
Watchers Choice™ Feeders: World’s Best Window Feeder, <http://www.watcherschoice.com/> (2013). [Retrieved Jan. 6, 2017].  
“Birding Company 78621 Songview In-House Window Feeder—Natural,” GoSale: Compare & Save, America’s Largest Price Comparison Website, <http://www.gosale.com/4483766/birding-company-78621> (2017). [Retrieved Jan. 6, 2017].  
“Panoramic In-House Window Feeder, Item No. 26400,” Covese Conservation Products, Casco, Maine 04015, [http://www.coveside.com/\\_store/card\\_view.asp?itemnr=26400](http://www.coveside.com/_store/card_view.asp?itemnr=26400) (Date Unknown). [Retrieved Jan. 6, 2017].  
“Mirrored Panoramic In-House Window Feeder, Item No. 26500,” Covese Conservation Products, Casco, Maine 04015, [https://www.coveside.com/\\_store/card\\_view.asp?itemnr=26500](https://www.coveside.com/_store/card_view.asp?itemnr=26500) (Date Unknown). [Retrieved Jan. 6, 2017].  
“Bread Box Window Feeder, Item No. 27000,” Covese Conservation Products, Casco, Maine 04015, [https://www.coveside.com/\\_store/card\\_view.asp?itemnr=27000](https://www.coveside.com/_store/card_view.asp?itemnr=27000) (Date Unknown). [Retrieved Jan. 6, 2017].  
“Bread Box Window Feeder with 2-way Mirror, Item No. 27500,” Covese Conservation Products, Casco, Maine 04015, [https://www.coveside.com/\\_store/card\\_view.asp?itemnr=27500](https://www.coveside.com/_store/card_view.asp?itemnr=27500) (Date Unknown). [Retrieved Jan. 6, 2017].  
Certificate of registration for European Design Application No. 003522150-001 dated Dec. 16, 2016.  
Certificate of registration for European Design Application No. 003522150-002 dated Dec. 16, 2016.  
Certificate of registration for European Design Application No. 003522150-003 dated Dec. 16, 2016.  
Certificate of registration for European Design Application No. 003522150-004 dated Dec. 16, 2016.  
Certificate of registration for European Design Application No. 003522150-005 dated Dec. 16, 2016.  
Certificate of registration for European Design Application No. 003522150-006 dated Dec. 16, 2016.  
Certificate of registration for European Design Application No. 003522150-007 dated Dec. 16, 2016.  
International Search Report and Written Opinion for Application No. PCT/US2017/045474 dated Oct. 26, 2017.  
Restriction Requirement for U.S. Appl. No. 29/573,349 dated Mar. 28, 2018.  
Notice of Publication for U.S. Appl. No. 15/228,642 dated Feb. 8, 2018.  
Notice of Publication for Application No. PCT/US2017/045474 dated Feb. 8, 2018.

(56)

**References Cited**

OTHER PUBLICATIONS

Notice of Certification of Registration for Canadian Application No. 172031 dated May 7, 2018.

Non-Final Office Action for U.S. Appl. No. 15/228,642 dated Jun. 14, 2018.

Notice of Allowance for U.S. Appl. No. 29/573,349 dated Jun. 21, 2018.

Notice of Allowance for U.S. Appl. No. 15/228,642 dated Oct. 2, 2018.

Notice of Publication for Application No. PCT/US2018/047938 dated Feb. 28, 2019.

Office Action (Examiner's Report and Search Report) corresponding to Canadian Patent Application No. 3,032,508 dated Mar. 8, 2019.

Notice of Allowance corresponding to Mexican Patent Application No. MX/f/2016/004082 dated Mar. 22, 2019.

Office Action (Examiner's Report and Search Report) corresponding to Canadian Patent Application No. 3,032,508 dated Apr. 17, 2019.

Notice of Allowability corresponding to U.S. Appl. No. 29/663,228 dated May 15, 2019.

Notice of Publication corresponding to European Patent Application No. 178377495 dated May 15, 2019.

Office Action corresponding to European Patent Application No. 178377495 dated Jul. 16, 2019.

Notice of Allowance corresponding to Canadian Patent Application No. 3,032,508 dated Jun. 5, 2019.

\* cited by examiner

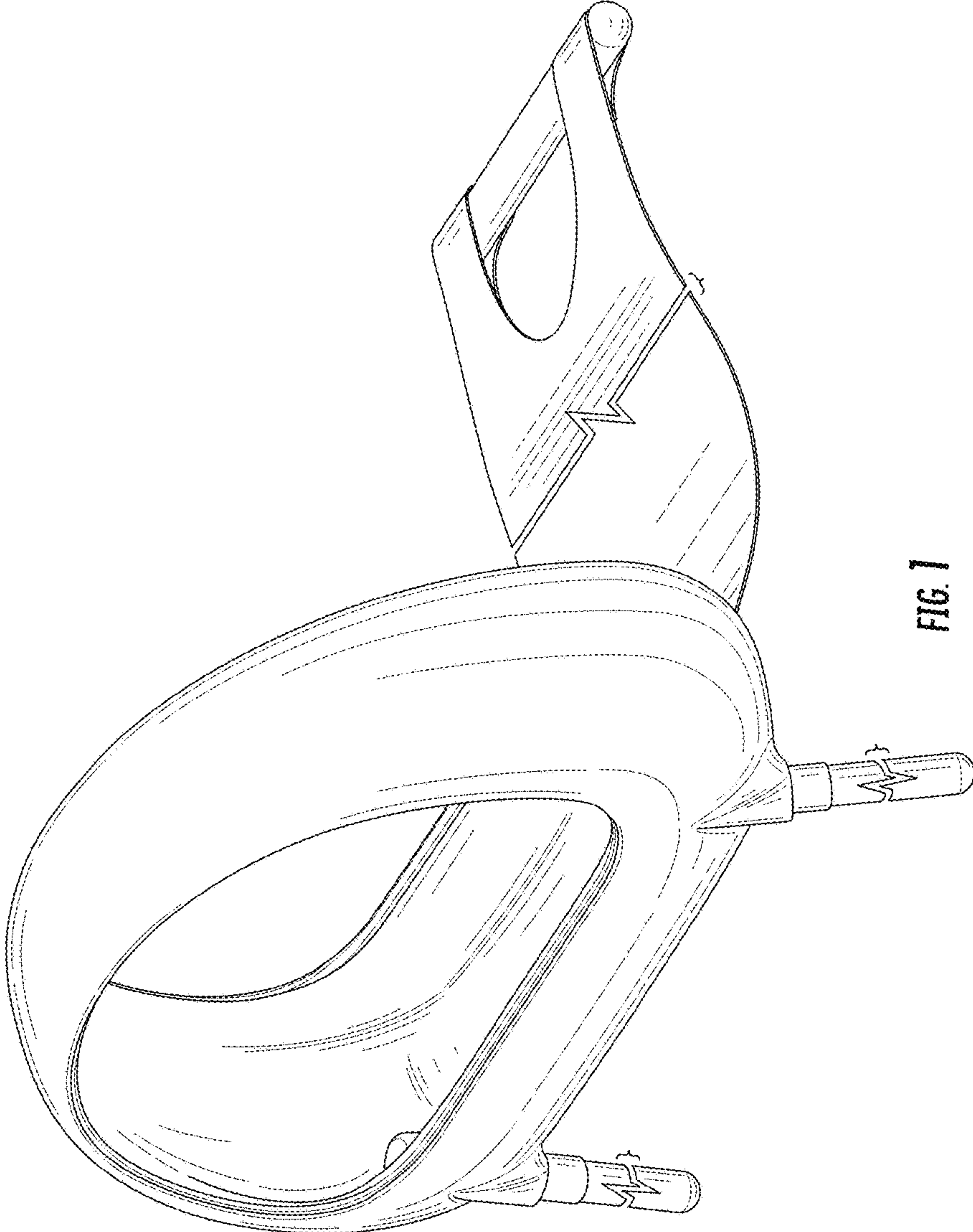


FIG. 1



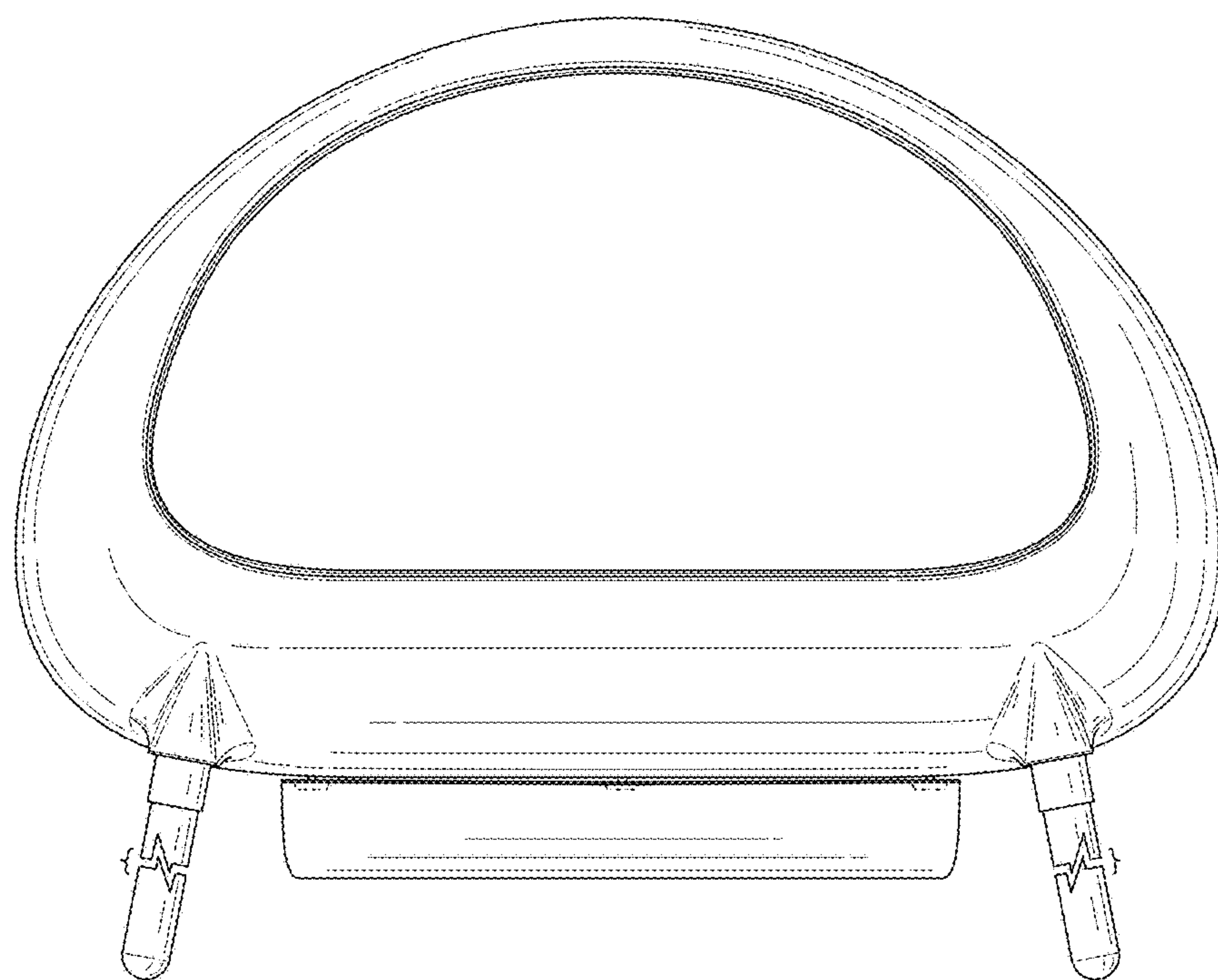


FIG. 2

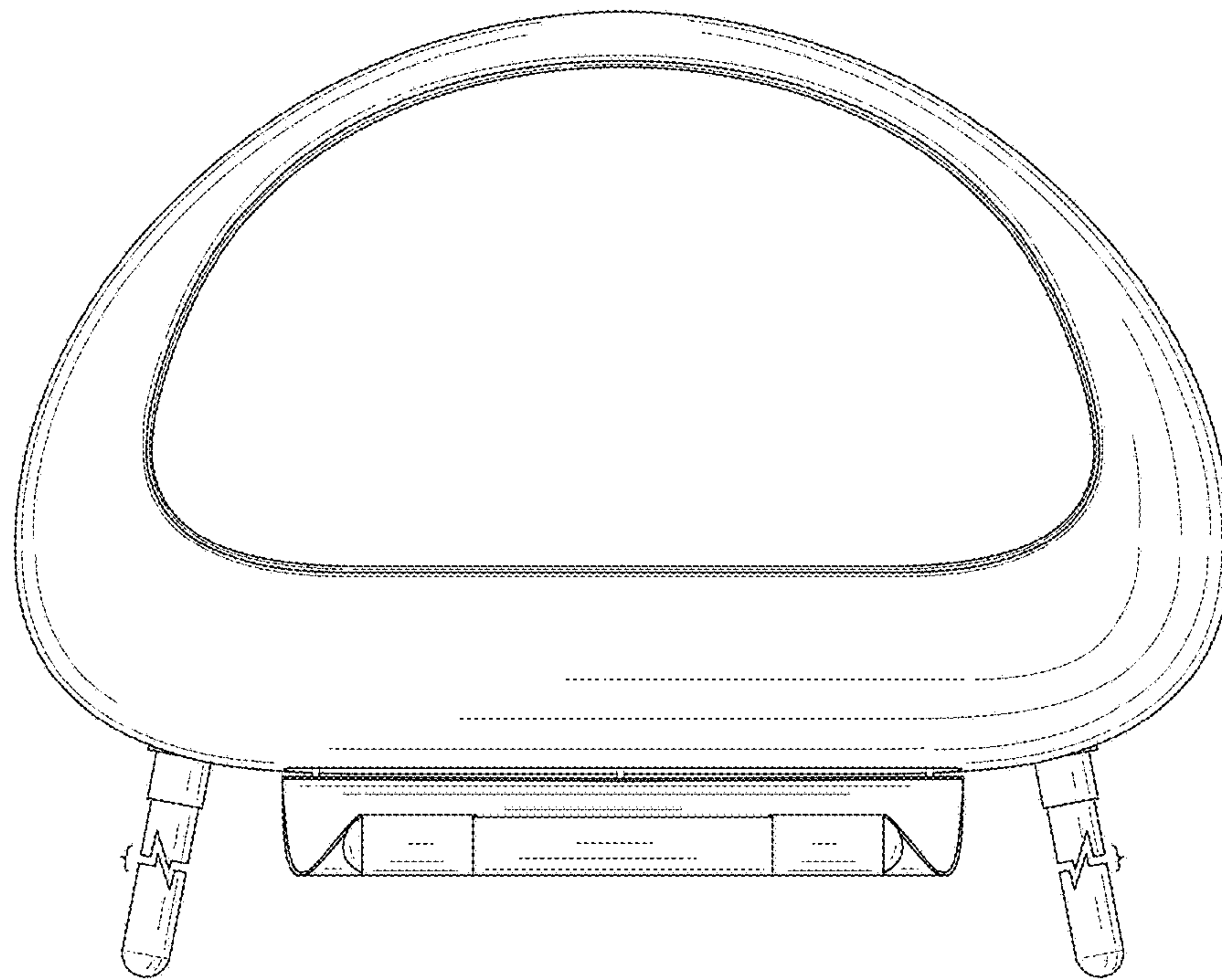


FIG. 3

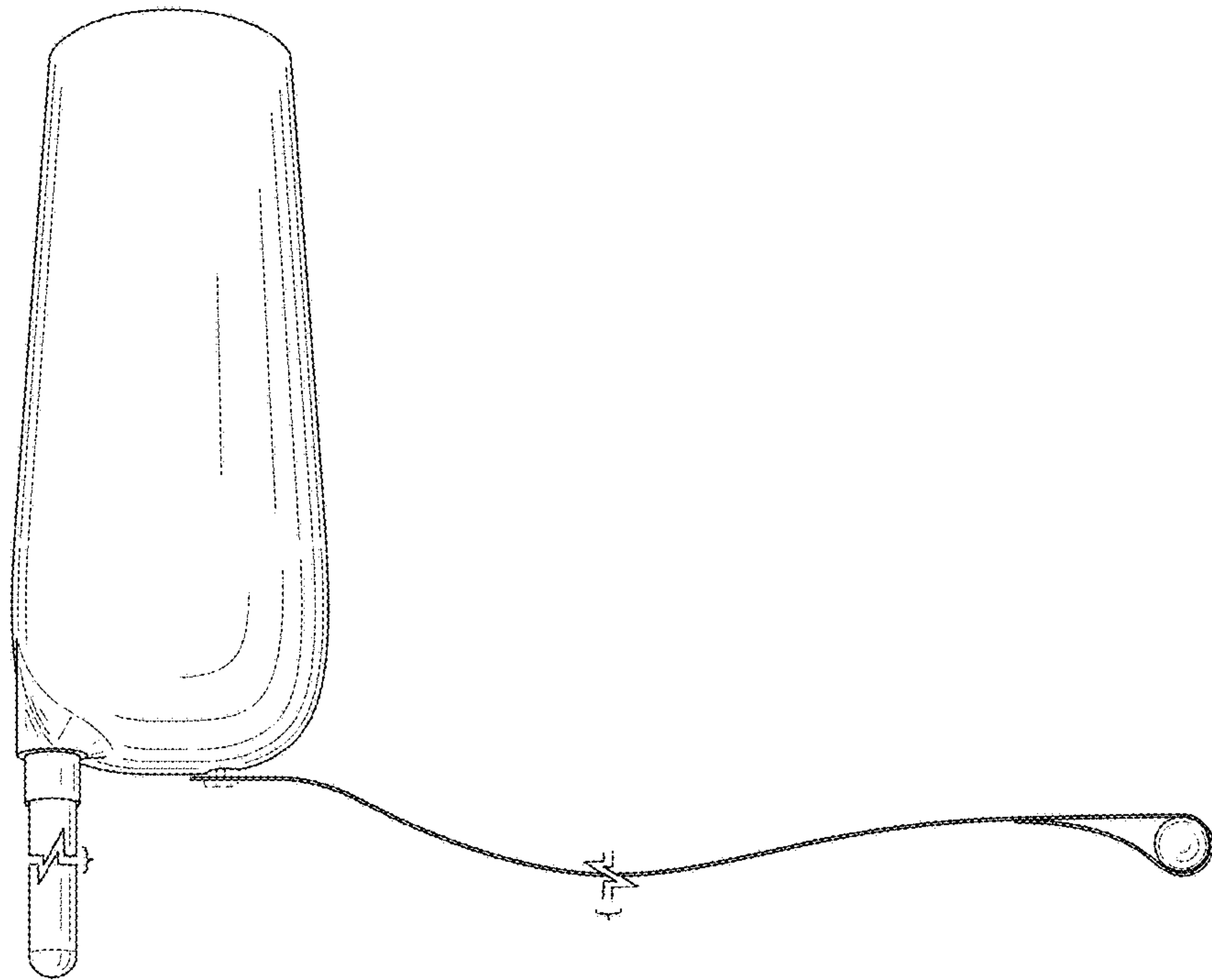


FIG. 4

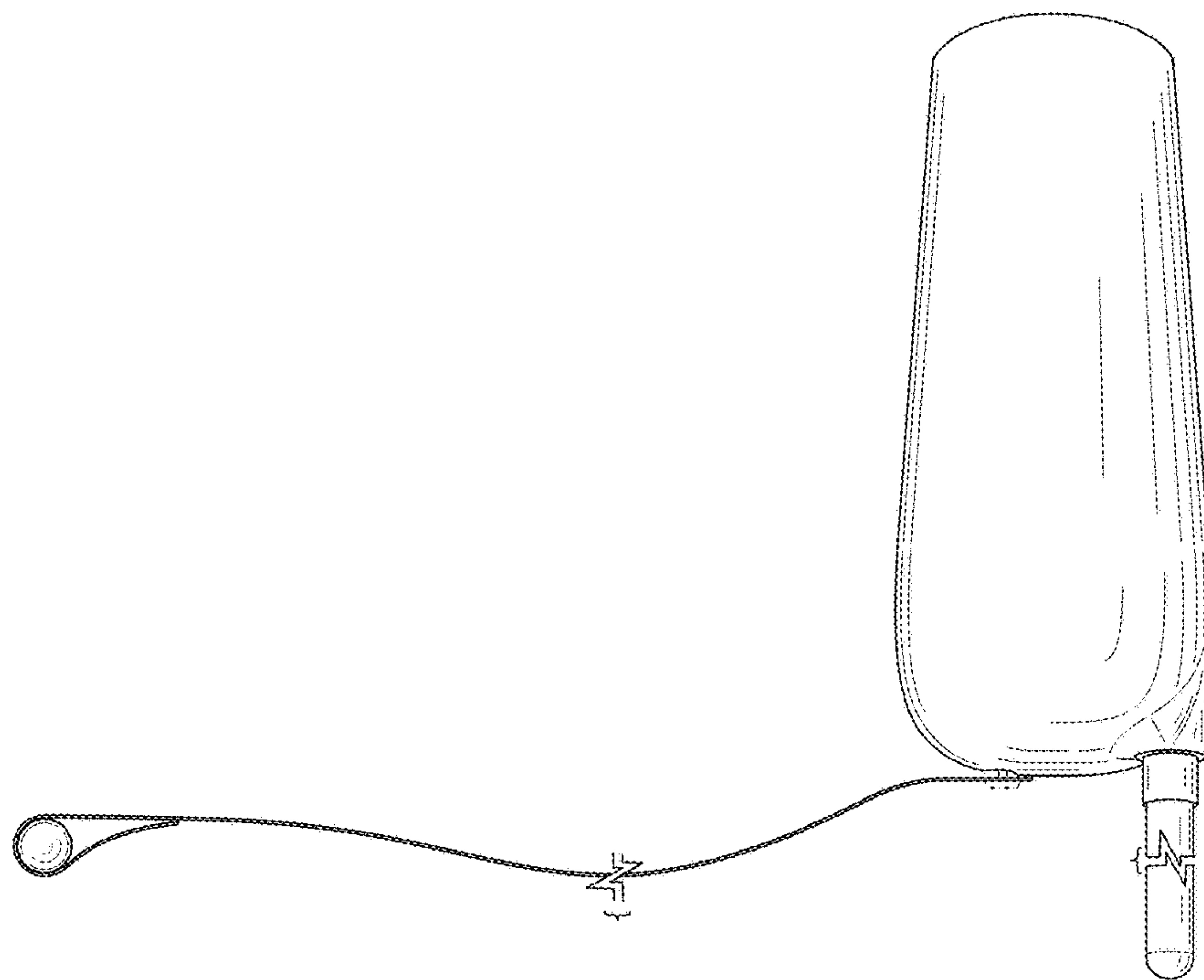


FIG. 5



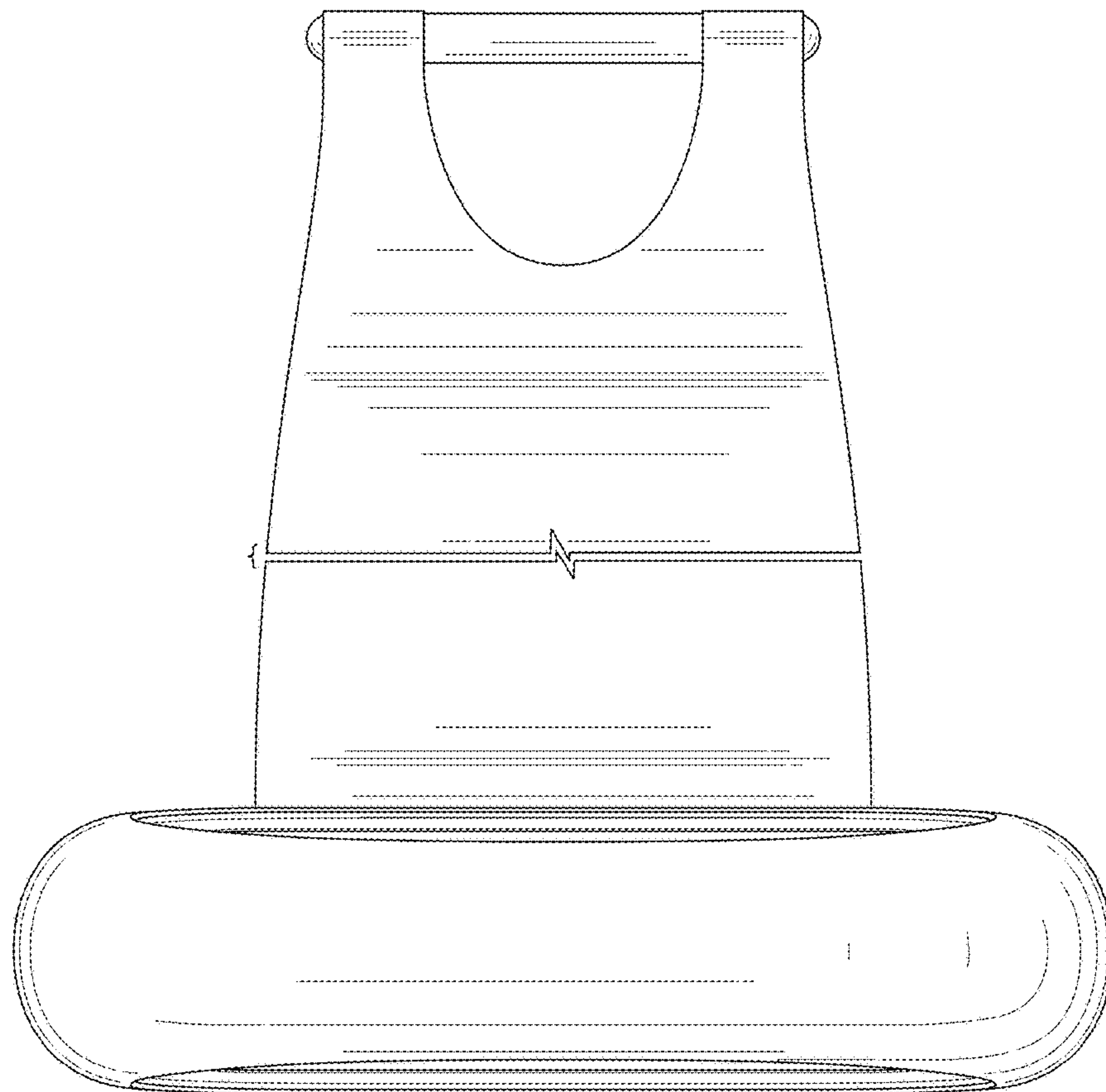


FIG. 6

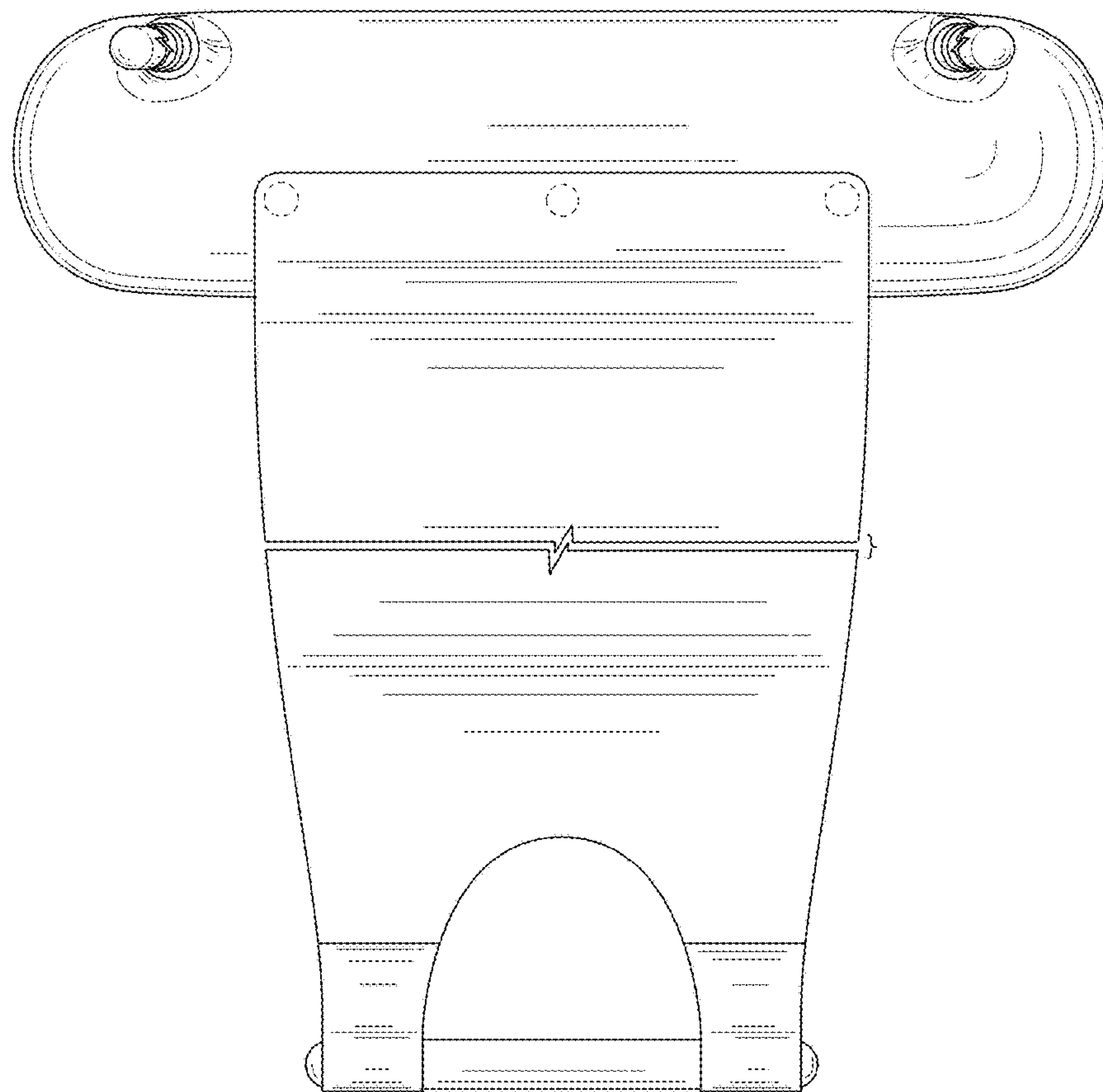


FIG. 7

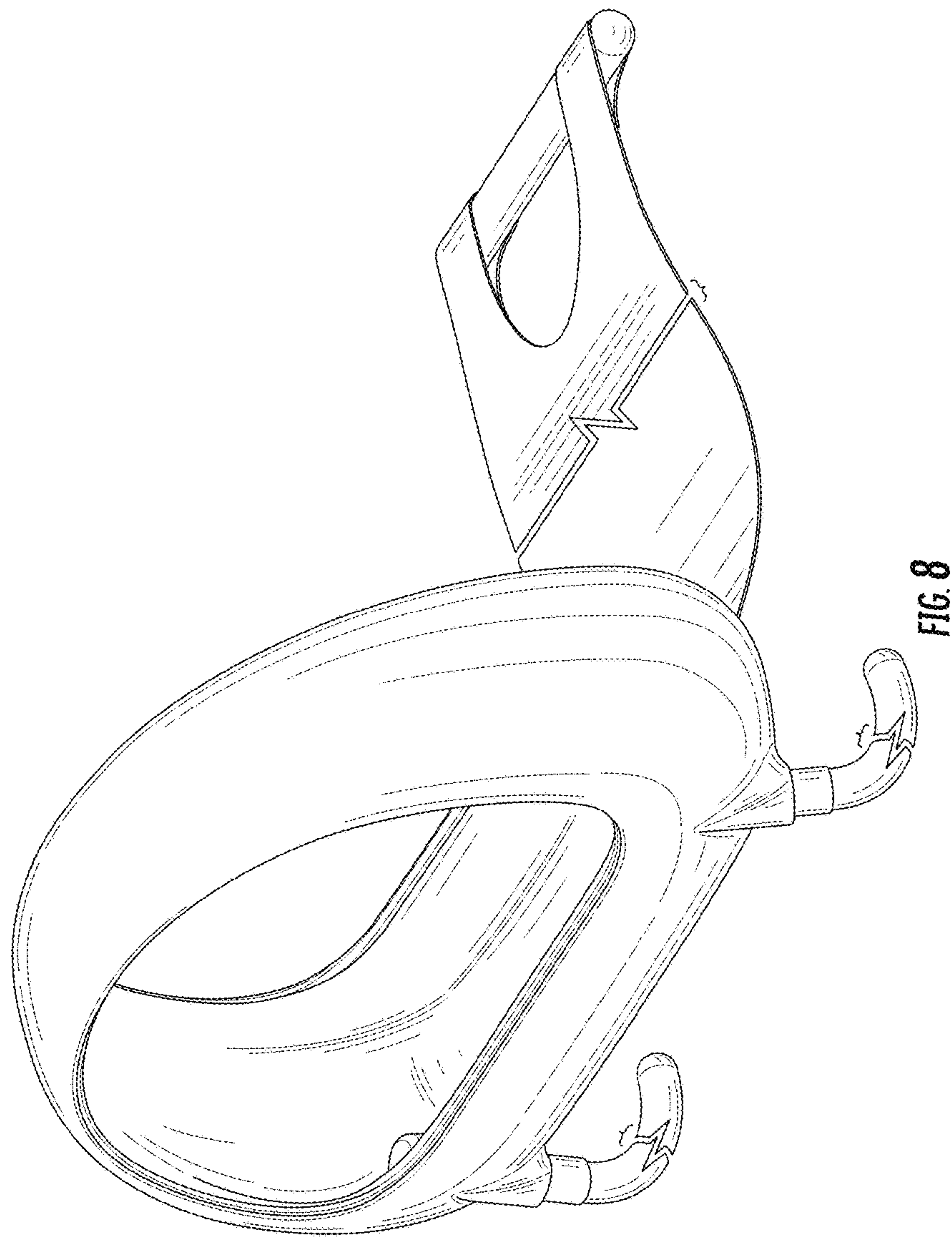


FIG. 8

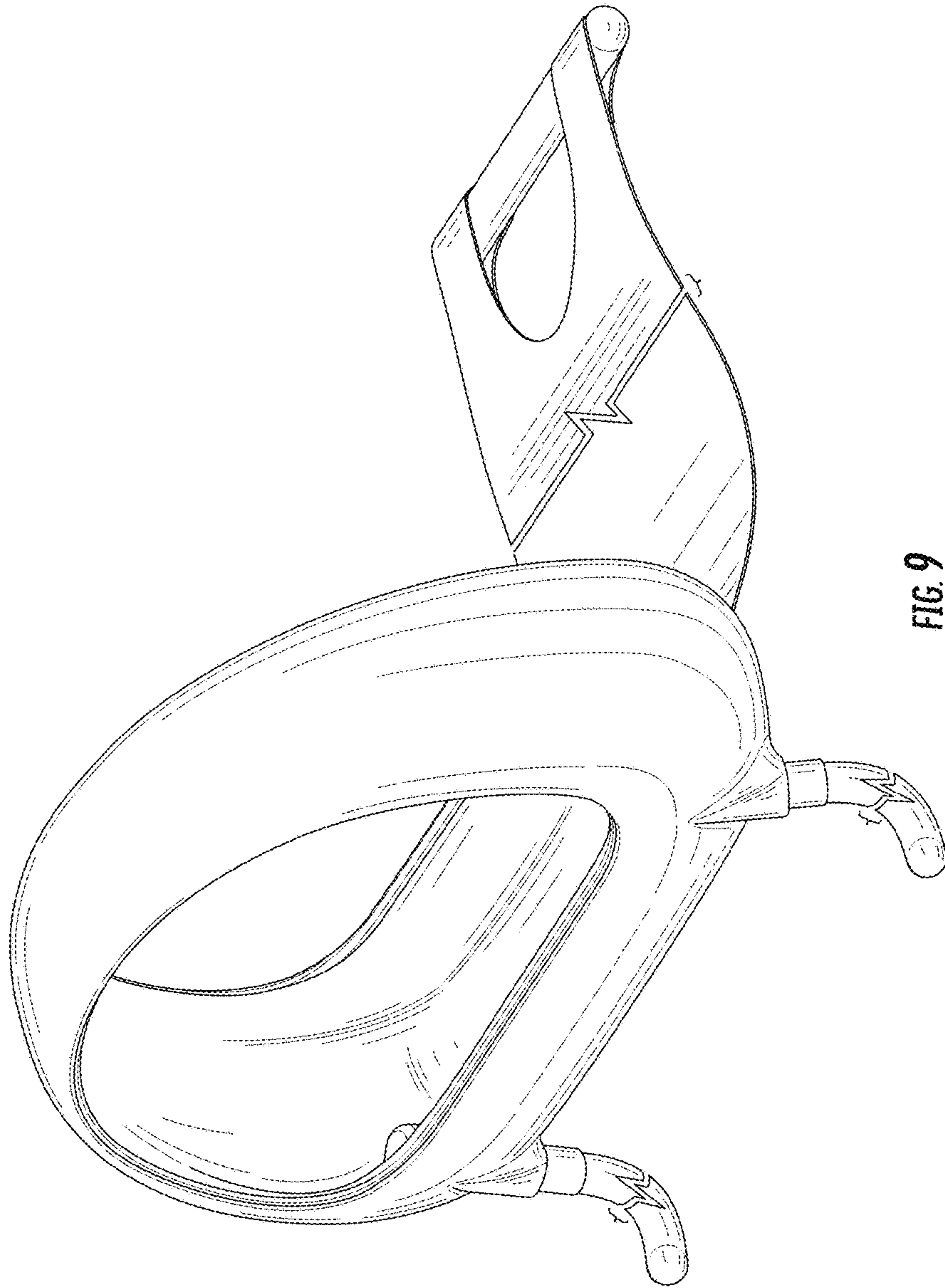


FIG. 9



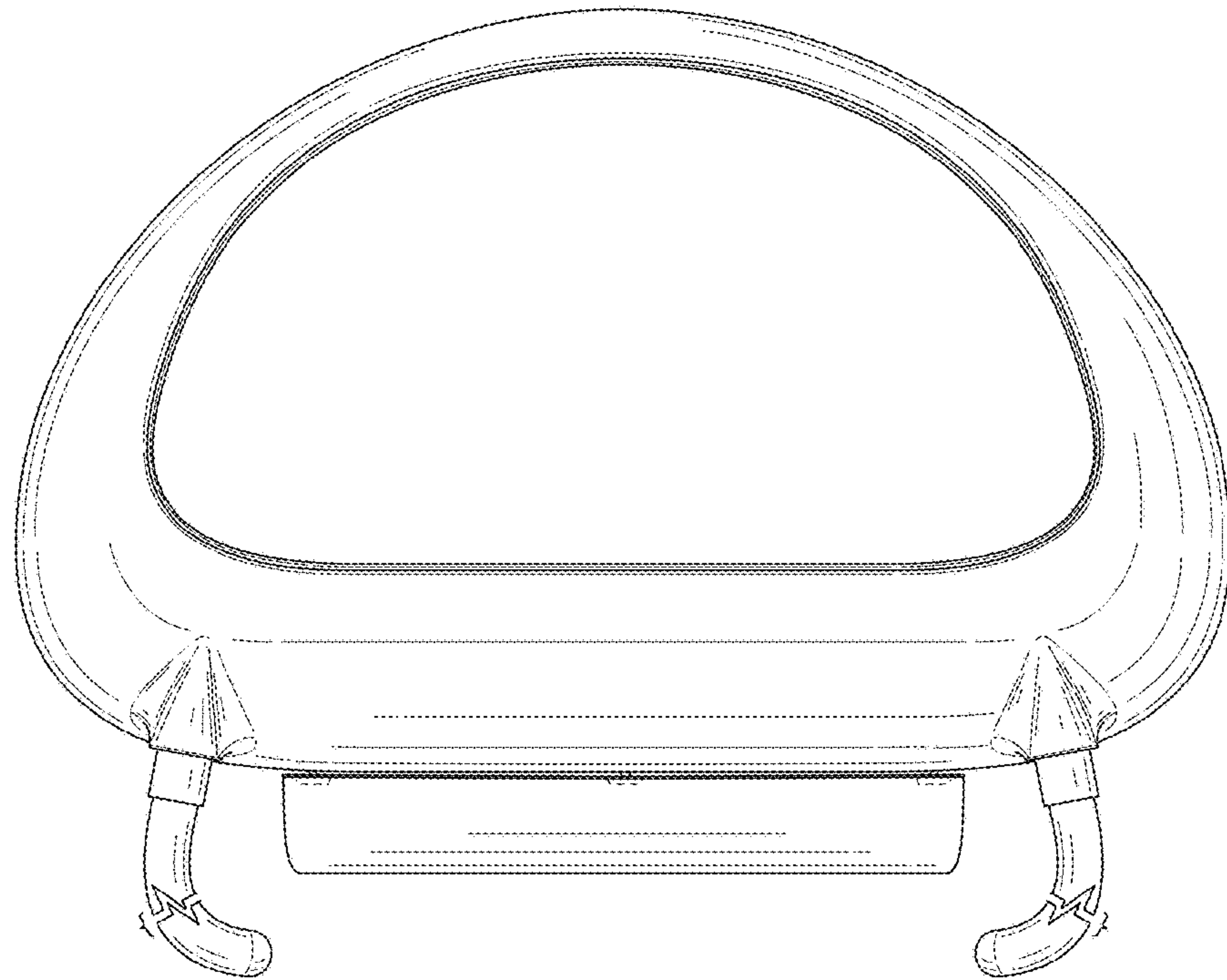


FIG. 10

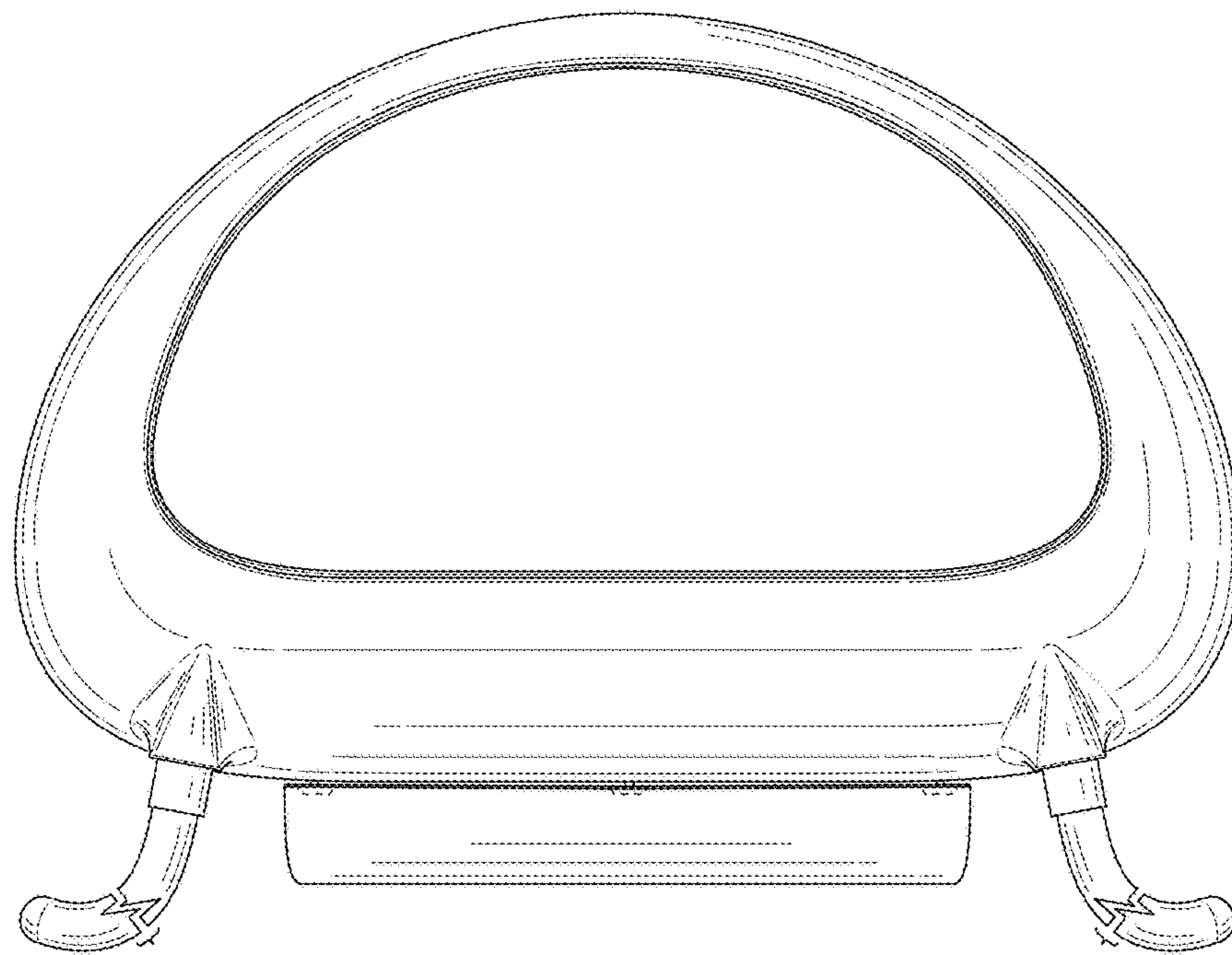


FIG. 11