



US00D863691S

(12) **United States Design Patent**
Goeller

(10) **Patent No.:** **US D863,691 S**

(45) **Date of Patent:** **** Oct. 15, 2019**

(54) **MOTORCYCLE HELMET CHIN MOUNT
FOR A CAMERA**

(71) Applicant: **Christian A. Goeller**, Gilbert, AZ (US)

(72) Inventor: **Christian A. Goeller**, Gilbert, AZ (US)

(**) Term: **15 Years**

(21) Appl. No.: **29/663,471**

(22) Filed: **Sep. 15, 2018**

(51) **LOC (12) Cl.** **29-02**

(52) **U.S. Cl.**
USPC **D29/122**

(58) **Field of Classification Search**
USPC D29/100, 102, 104, 105, 106, 107, 108,
D29/109, 110, 122
CPC .. A42B 1/066; A42B 1/00; A42B 1/06; A42B
3/228; A42B 3/00; A42B 3/08; A42B
3/32; A42B 3/222; A42B 3/20; A42B
3/227; A42B 3/105; A42B 3/04; A42B
3/06; A42B 3/0406; A42B 3/18; A42B
3/166; A42B 3/16; A42B 3/22; A42B
3/0473; A42B 3/127; A63B 71/10; A63B
71/105; A41D 13/0512

See application file for complete search history.

(56) **References Cited**

U.S. PATENT DOCUMENTS

4,270,679	A	6/1981	Gildea et al.	
6,028,627	A	2/2000	Helmsderfer	
7,105,796	B2	9/2006	Lewis et al.	
7,369,174	B2	5/2008	Olita et al.	
D778,508	S *	2/2017	Moreau	D29/122
D788,379	S *	5/2017	Hancock	D29/122

2006/0072007	A1	4/2006	Gilor
2014/0105589	A1	4/2014	Samuels
2015/0177597	A1	6/2015	Harrison et al.
2015/0282548	A1	10/2015	Tulley

* cited by examiner

Primary Examiner — Randall H Gholson

(74) *Attorney, Agent, or Firm* — Mark V. Loen

(57) **CLAIM**

The ornamental design for a motorcycle helmet chin mount for a camera, as shown and described.

DESCRIPTION

FIG. 1 is a front view of a motorcycle helmet chin mount for a camera;

FIG. 2 is a right side view thereof, the left side view being a mirror image;

FIG. 3 is a top side view thereof;

FIG. 4 is a lower side view thereof;

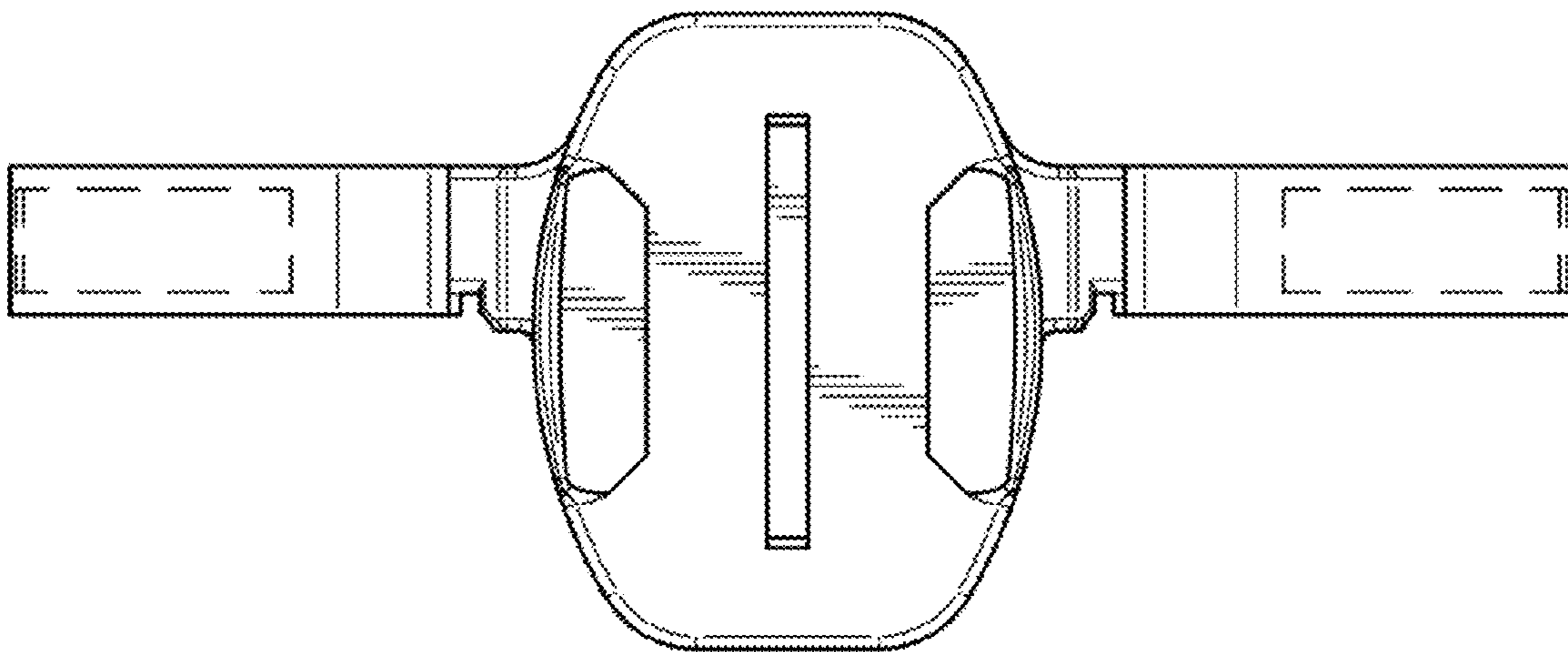
FIG. 5 is a back view thereof;

FIG. 6 is an isometric view thereof; and,

FIG. 7 is an isometric view thereof with a helmet drawn in dash dot lines showing the motorcycle helmet chin mount for a camera in a condition of use.

The features drawn in broken lines in FIGS. 1, 2, 6, and 7 are unclaimed cavities. The features drawing in broken lines in FIGS. 4 and 5 are unclaimed strengthening ribs. The feature drawn in dash dot lines in FIG. 7 is an unclaimed helmet which forms no part of the claimed design. The features drawn in broken lines are for purposes of illustrating environmental structure associated with the claimed design in condition of use, and which forms no part of the claimed design.

1 Claim, 4 Drawing Sheets



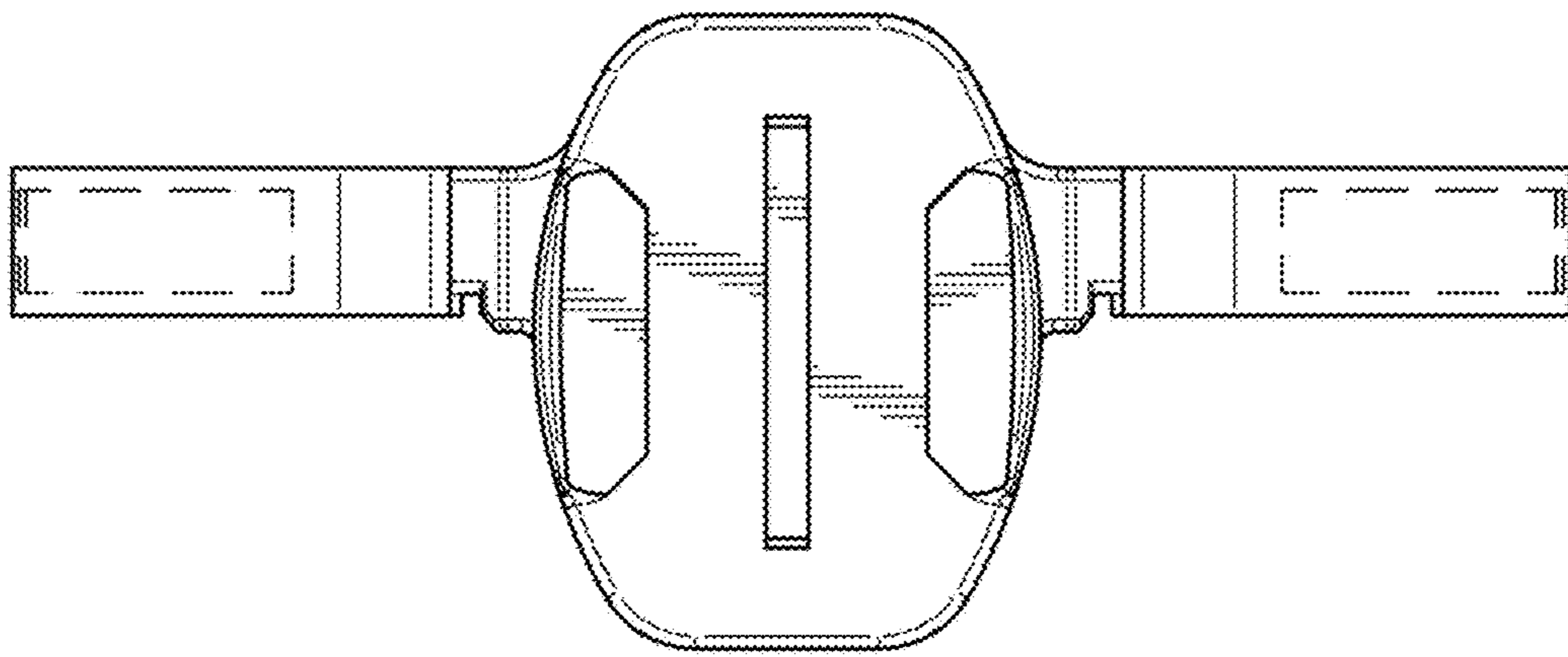


Fig. 1

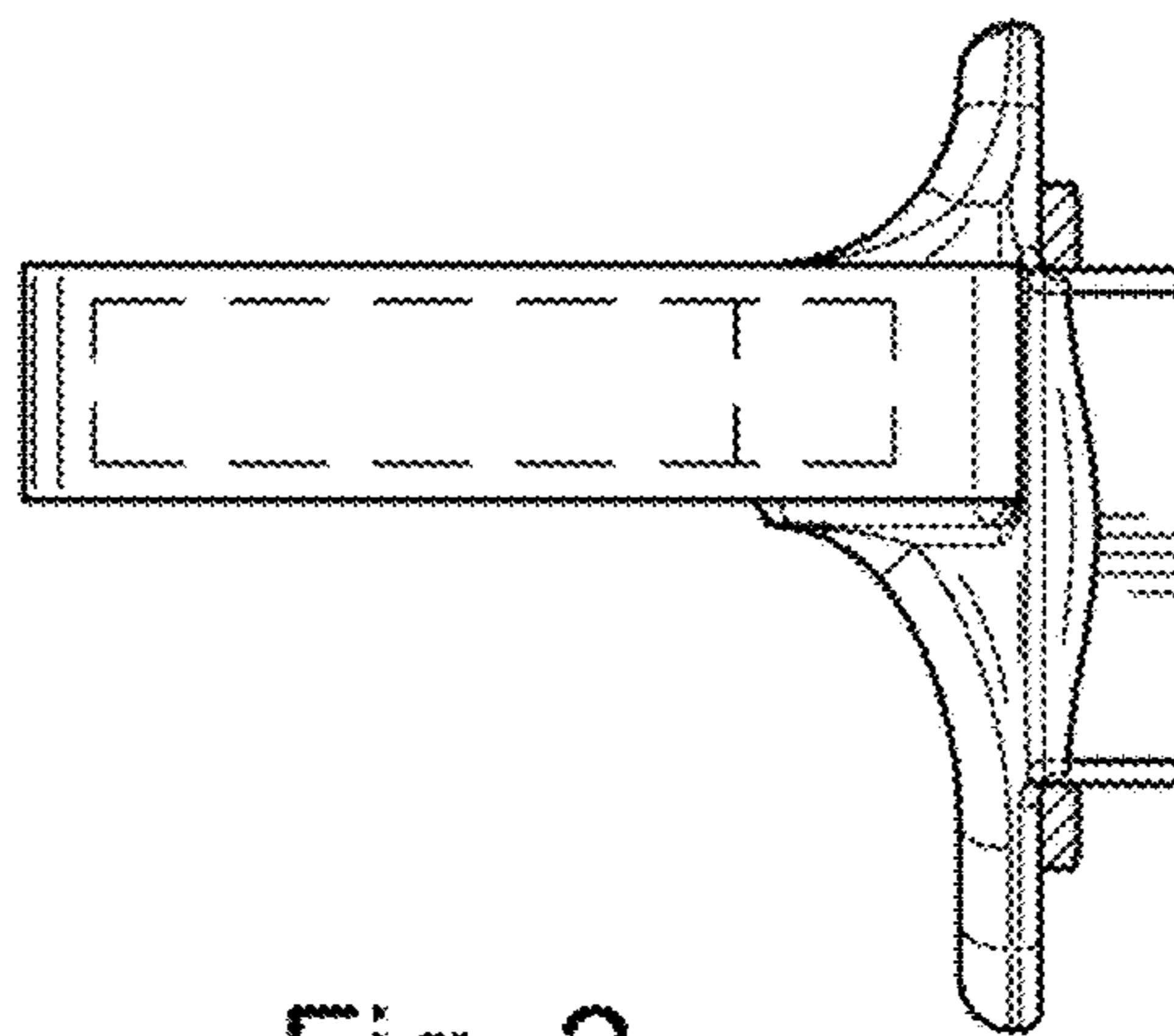


Fig. 2

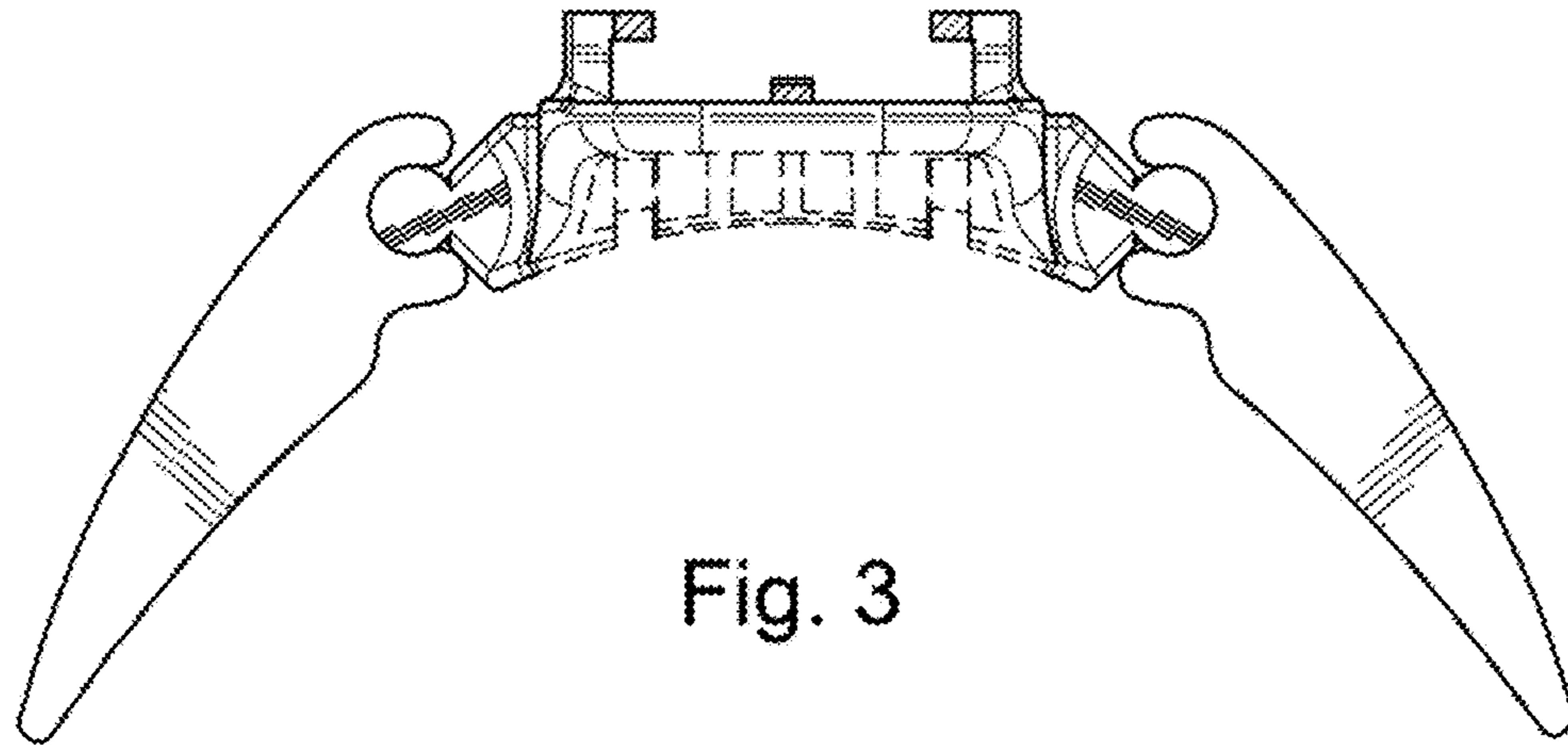


Fig. 3

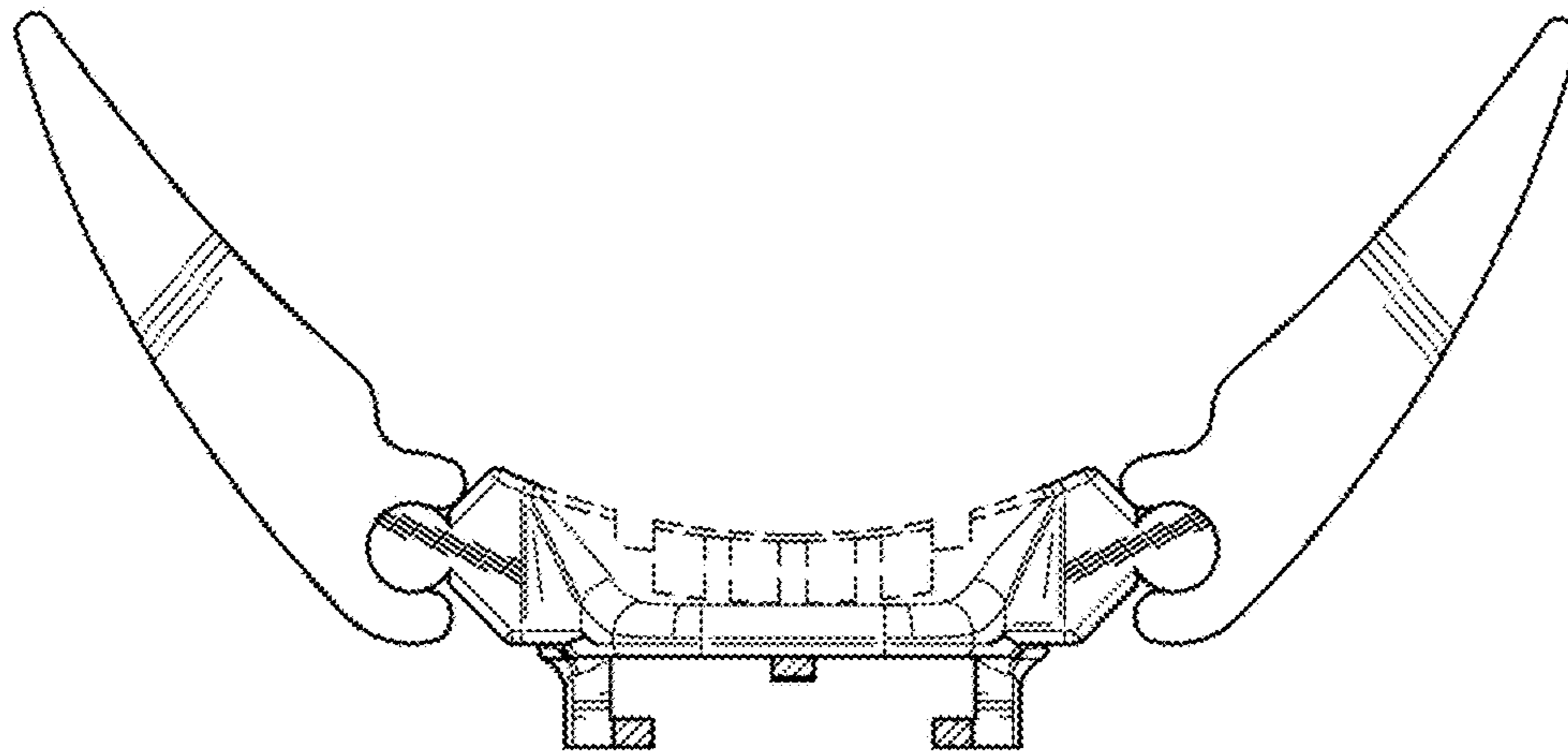


Fig. 4

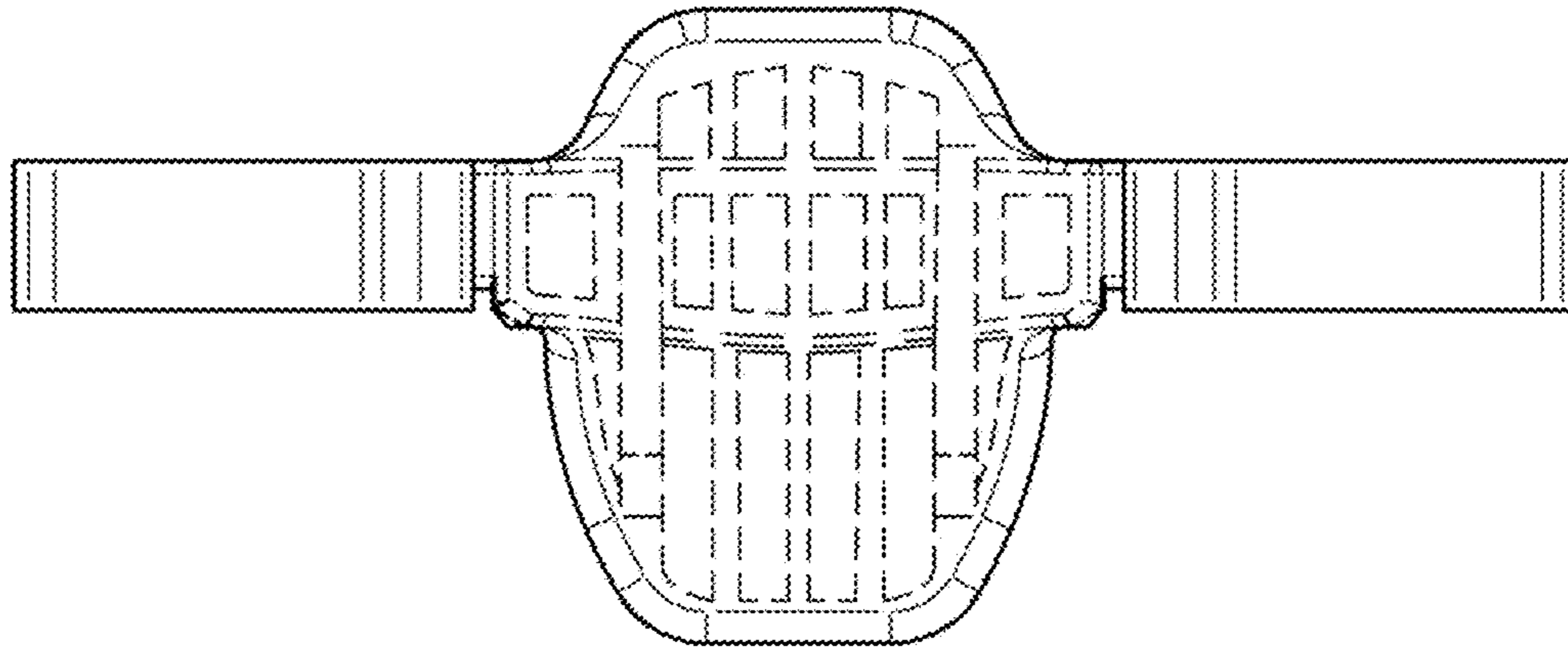


Fig. 5

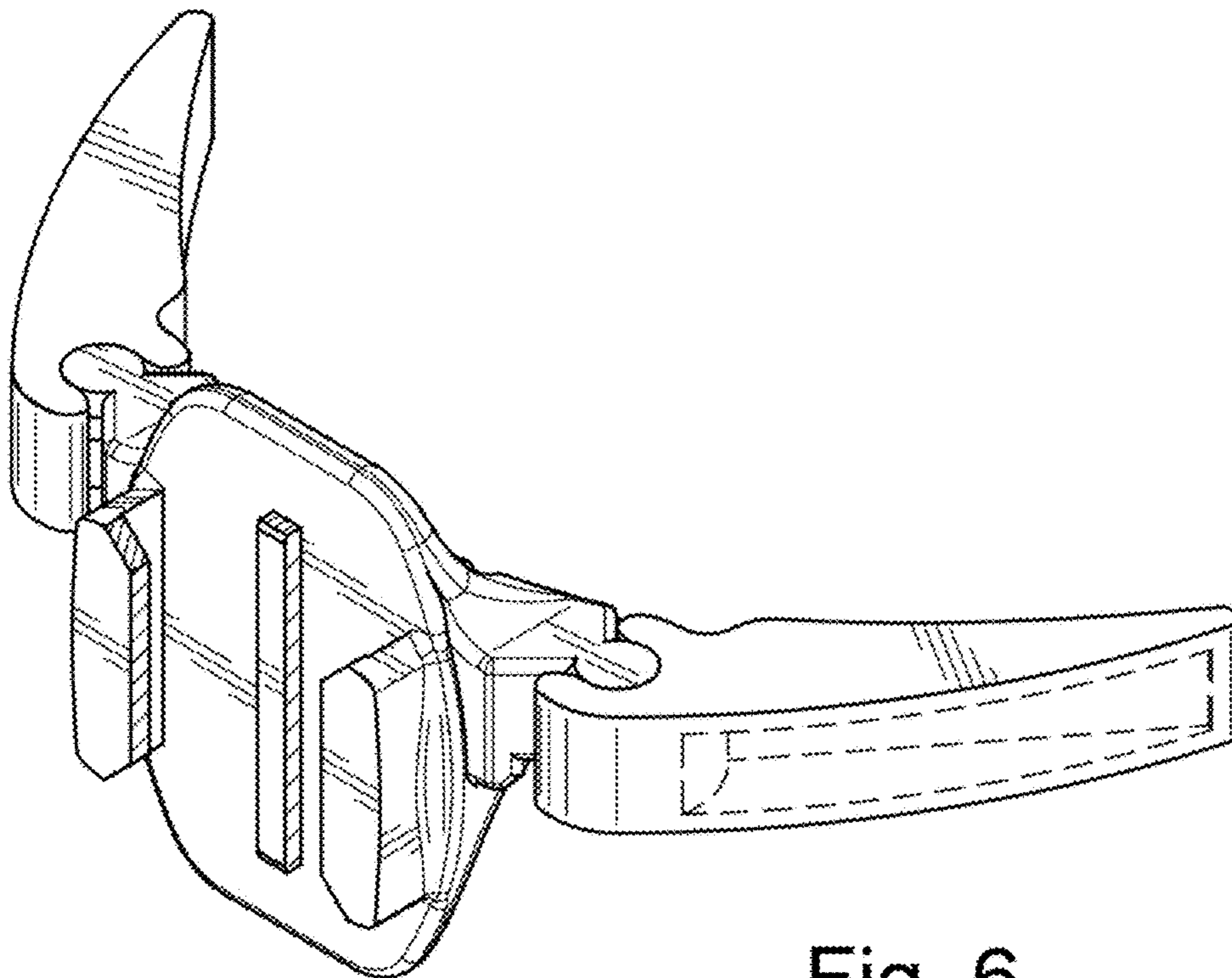


Fig. 6

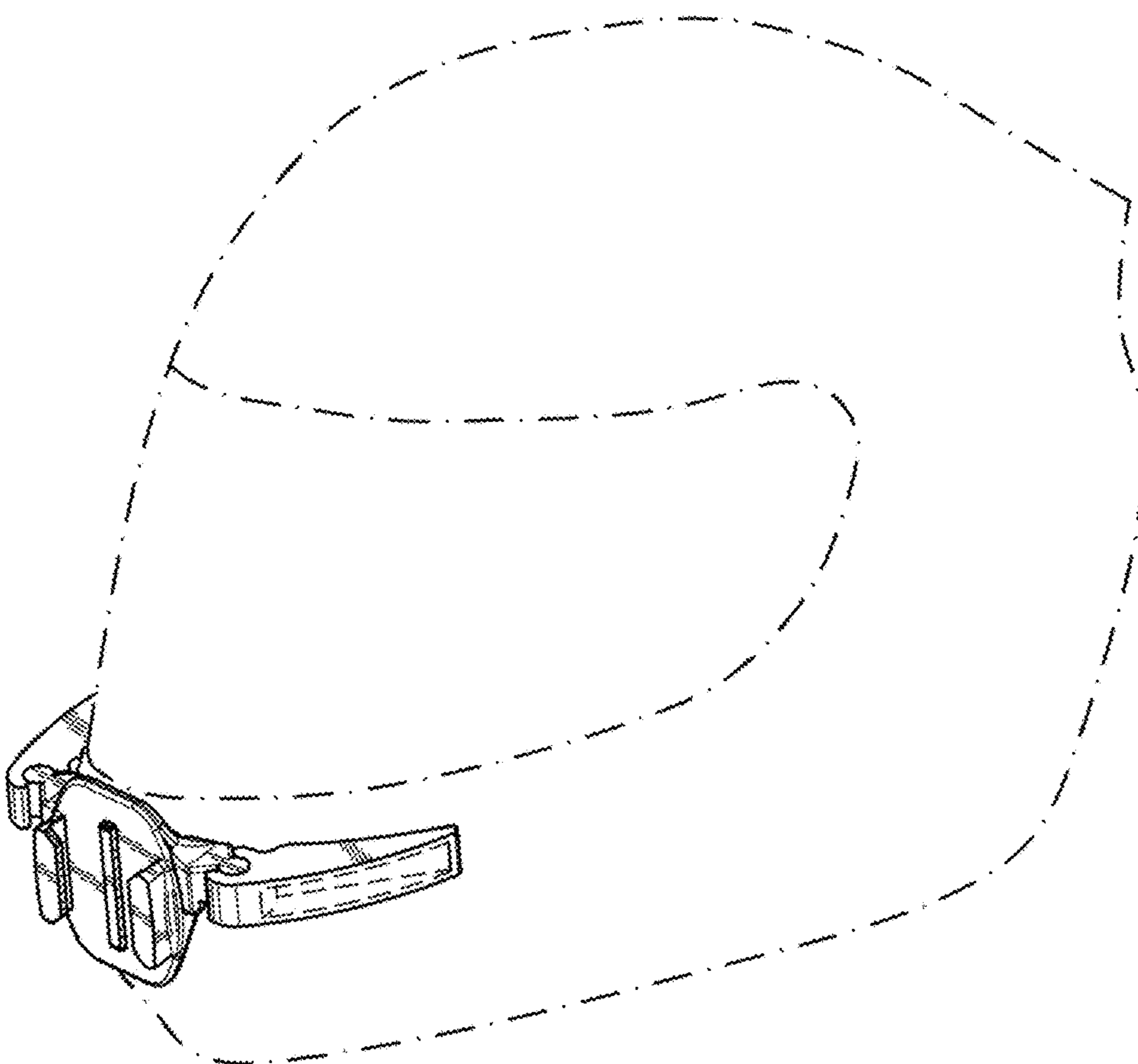


Fig. 7