



US00D863690S

(12) **United States Design Patent**
Chen

(10) **Patent No.:** **US D863,690 S**

(45) **Date of Patent:** **** Oct. 15, 2019**

(54) **SPORTS ELECTRONICS SHOOTING
EARMUFF**

(71) Applicant: **Xiaowei Chen**, Guangdong (CN)

(72) Inventor: **Xiaowei Chen**, Guangdong (CN)

(**) Term: **15 Years**

(21) Appl. No.: **29/630,182**

(22) Filed: **Dec. 19, 2017**

(51) **LOC (12) Cl.** **29-02**

(52) **U.S. Cl.**

USPC **D29/112; D14/205**

(58) **Field of Classification Search**

USPC D29/100, 102, 105, 106, 108, 112, 122;
D14/205, 206, 223

CPC A42B 3/16; A42B 3/163; A42B 3/166;
A61F 11/06; A61F 11/08; A61F 11/10;
A61F 11/12; A61F 11/14; A61F
2011/085; H04R 1/10; H04R 1/1008;
H04R 1/1016; H04R 1/105; H04R
1/1058; H04R 1/1066; H04R 1/1075;
H04R 1/1083; H04R 5/0335; H04R
25/652; H04R 25/654; H04R 25/656;
A63B 71/10

See application file for complete search history.

(56) **References Cited**

U.S. PATENT DOCUMENTS

2,883,671	A *	4/1959	Hornickel	A61F 11/14 128/866
2,981,958	A *	5/1961	Wadsworth	A61F 11/14 2/209
3,051,961	A *	9/1962	Clark	A61F 11/14 181/129
D298,670	S *	11/1988	Palmaer	D14/205
D313,092	S *	12/1990	Nilsson	D14/205
D375,584	S *	11/1996	Westerdal	D29/112
D385,665	S *	10/1997	Westerdal	D29/112

D390,564	S *	2/1998	Savona	D14/205
D403,126	S *	12/1998	Scanlon	D29/112
D411,200	S *	6/1999	Almqvist	D14/192
D413,413	S *	8/1999	Dillon	D14/205
D427,382	S *	6/2000	Leight	D29/112
D434,191	S *	11/2000	Emilsson	D29/112
D459,033	S *	6/2002	Dix	D29/112
D459,034	S *	6/2002	Dix	D29/112
D465,616	S *	11/2002	Nilsson	A61F 11/14 D29/112
D651,764	S *	1/2012	Gresko	A61F 11/14 D29/112
D663,900	S *	7/2012	Karlsson	A61F 11/14 D29/112
D735,419	S *	7/2015	Rose	D29/112
D747,557	S *	1/2016	Bonney	D29/112
D752,816	S *	3/2016	Fletcher	D29/112
D753,884	S *	4/2016	Bonney	D29/112
D764,717	S *	8/2016	Fletcher	D29/112
D766,520	S *	9/2016	Fletcher	D29/112
D789,615	S *	6/2017	Pratley	D29/112
D805,697	S *	12/2017	Pratley	D29/112
D807,584	S *	1/2018	Fletcher	D29/112
D821,653	S *	6/2018	Pratley	D29/112

(Continued)

Primary Examiner — Elizabeth J Oswecki

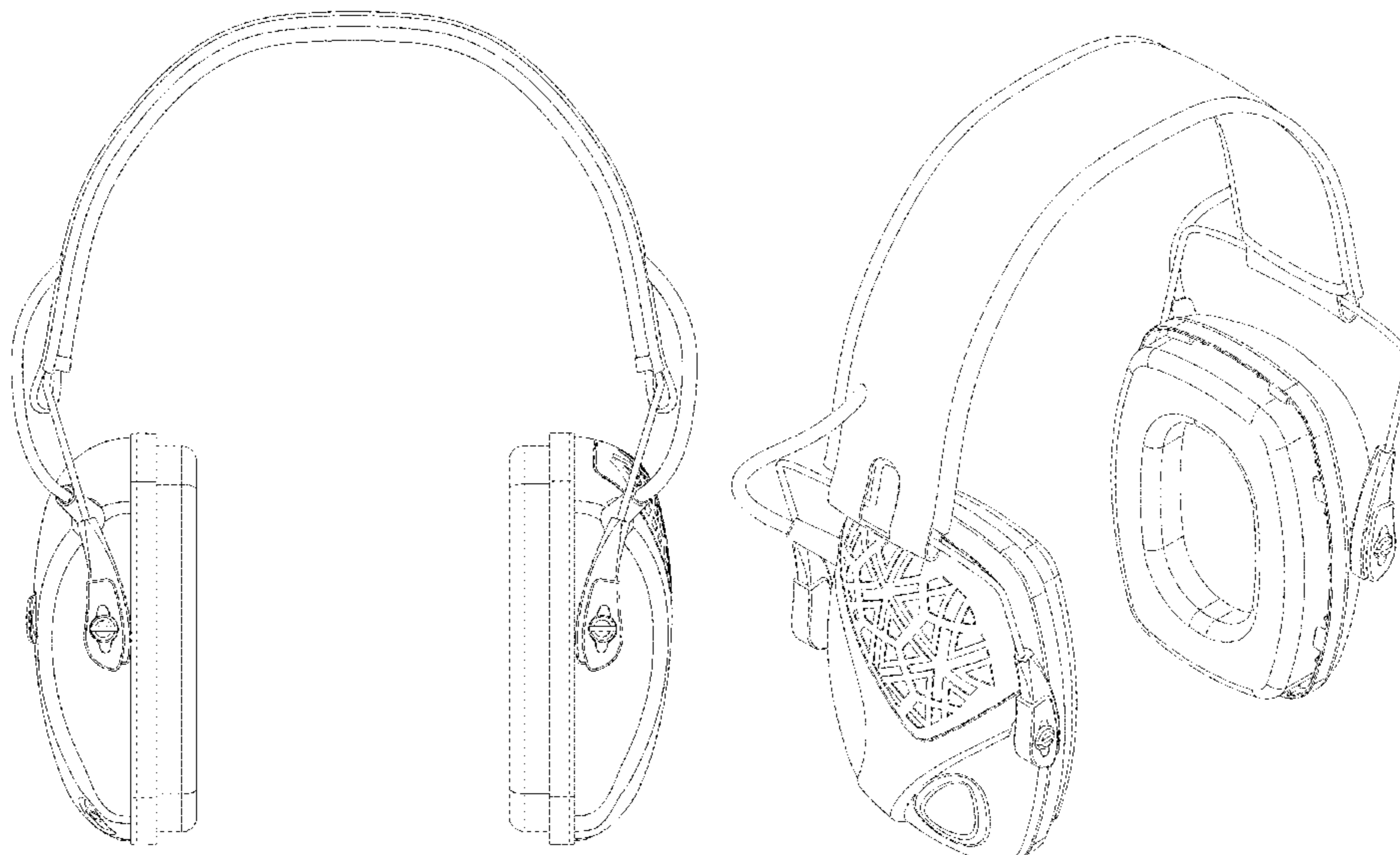
(57) **CLAIM**

The ornamental design for a sports electronics shooting earmuff, as shown.

DESCRIPTION

FIG. 1 is a front elevational view of a sports electronics shooting earmuff showing my new design; FIG. 2 is a rear elevational view thereof; FIG. 3 is a left side view thereof; FIG. 4 is a right side view thereof; FIG. 5 is a top plan view thereof; FIG. 6 is a bottom plan view thereof; FIG. 7 is a perspective view thereof; and, FIG. 8 is another perspective view thereof.

1 Claim, 7 Drawing Sheets



(56)

References Cited

U.S. PATENT DOCUMENTS

D834,260 S	*	11/2018	Garcia Mansilla	D29/112
D848,396 S	*	5/2019	Wilson	D14/205
D848,679 S	*	5/2019	Wilson	D29/112
D851,839 S	*	6/2019	Scanlon	D29/112

* cited by examiner

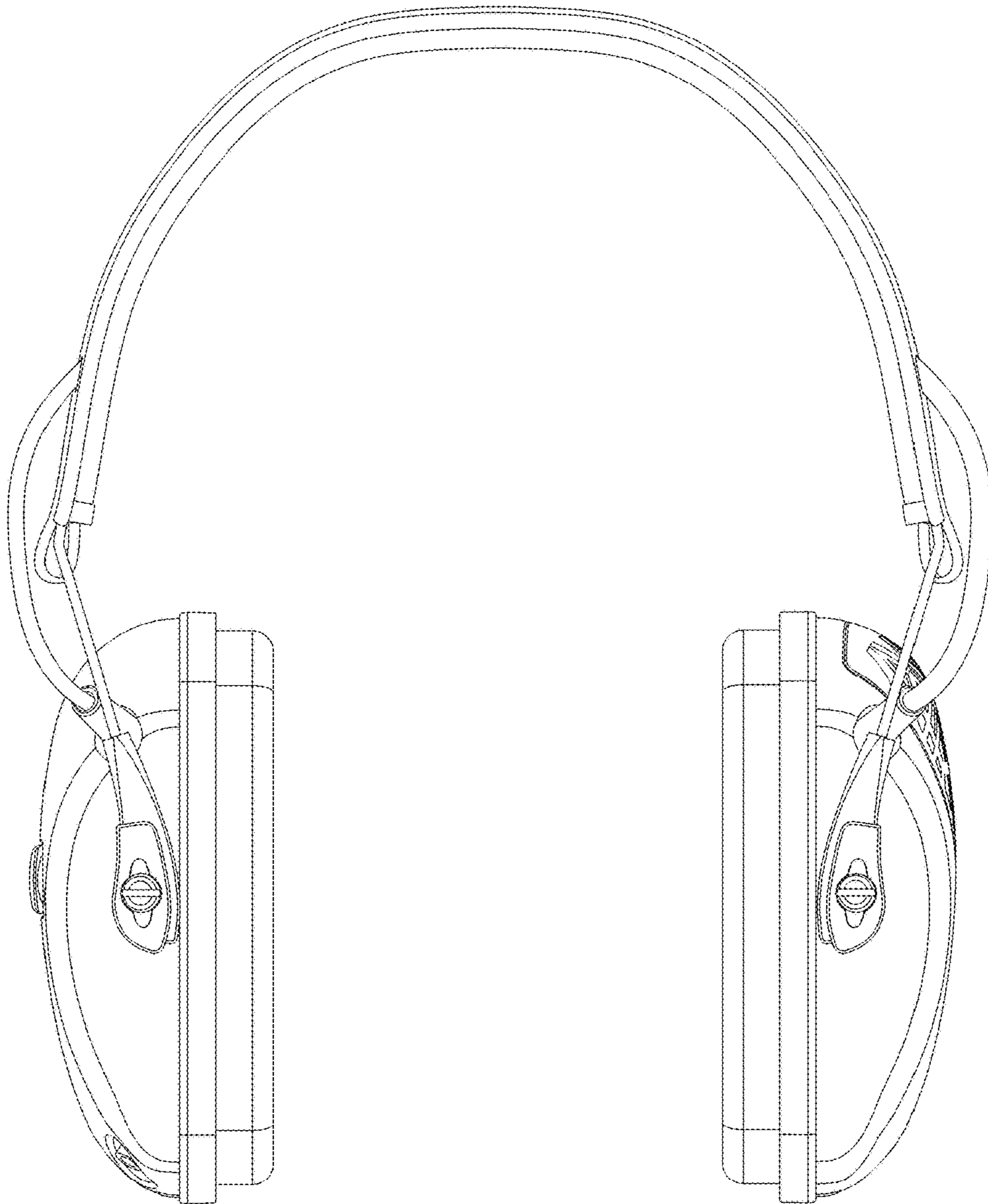


FIG. 1



FIG. 2

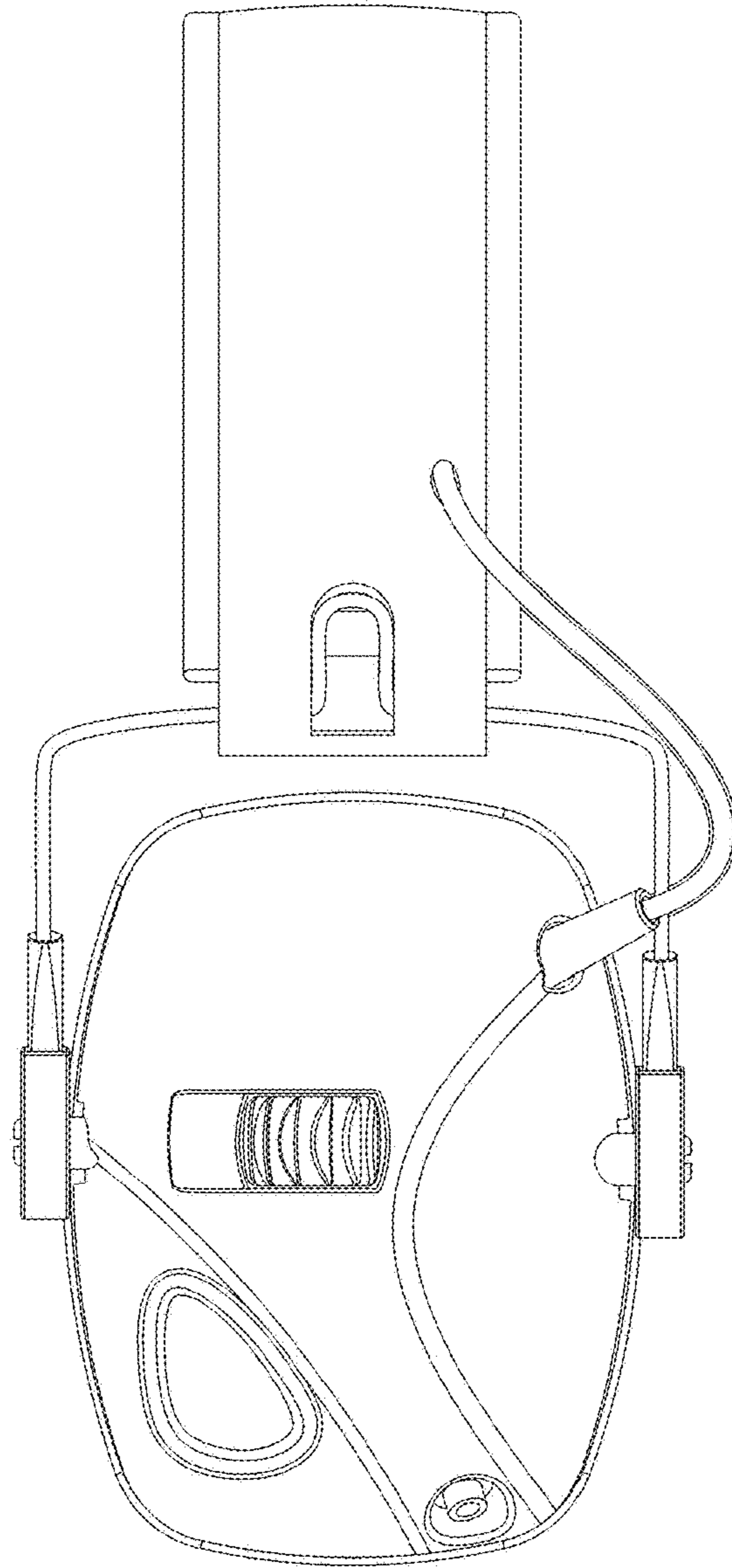


FIG. 3

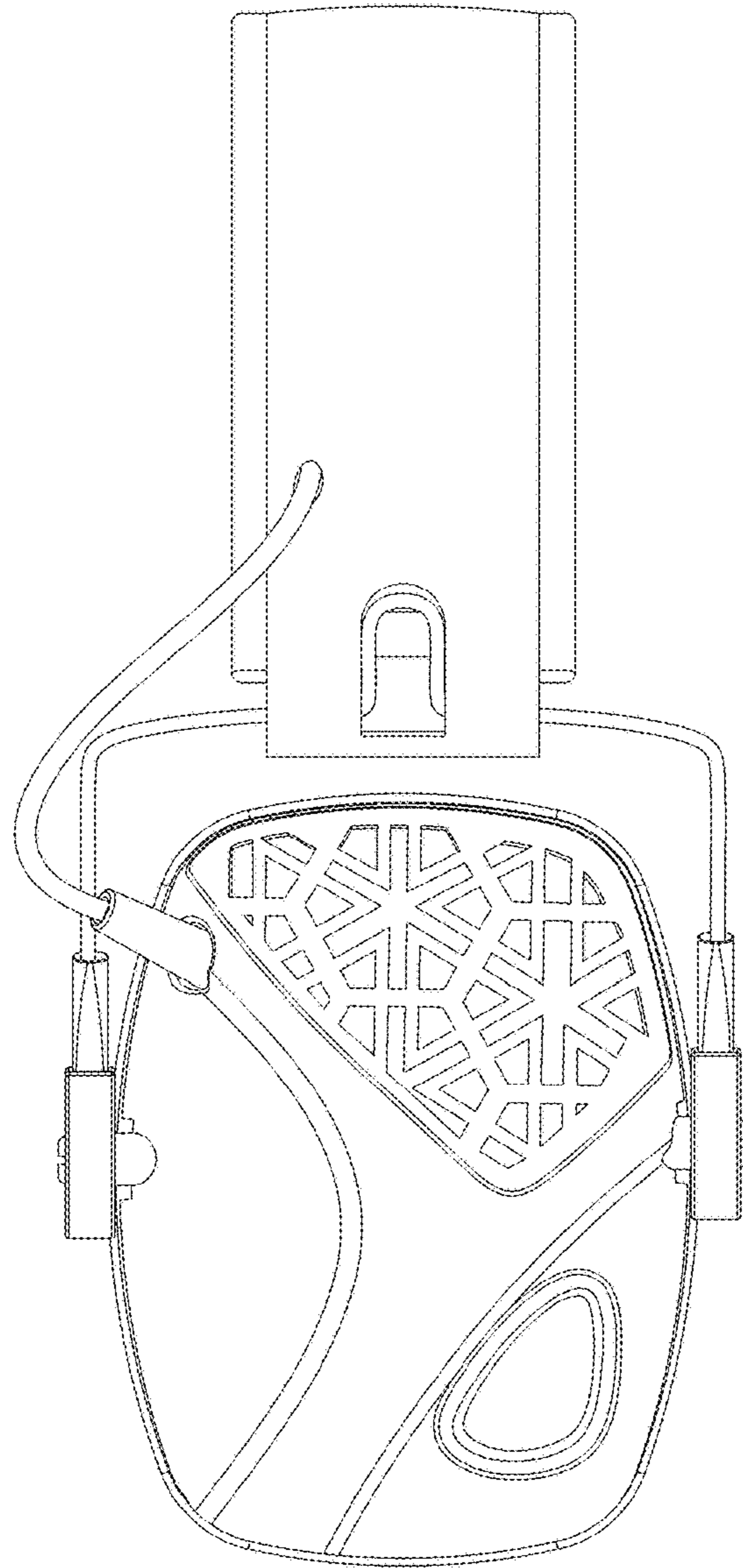


FIG. 4

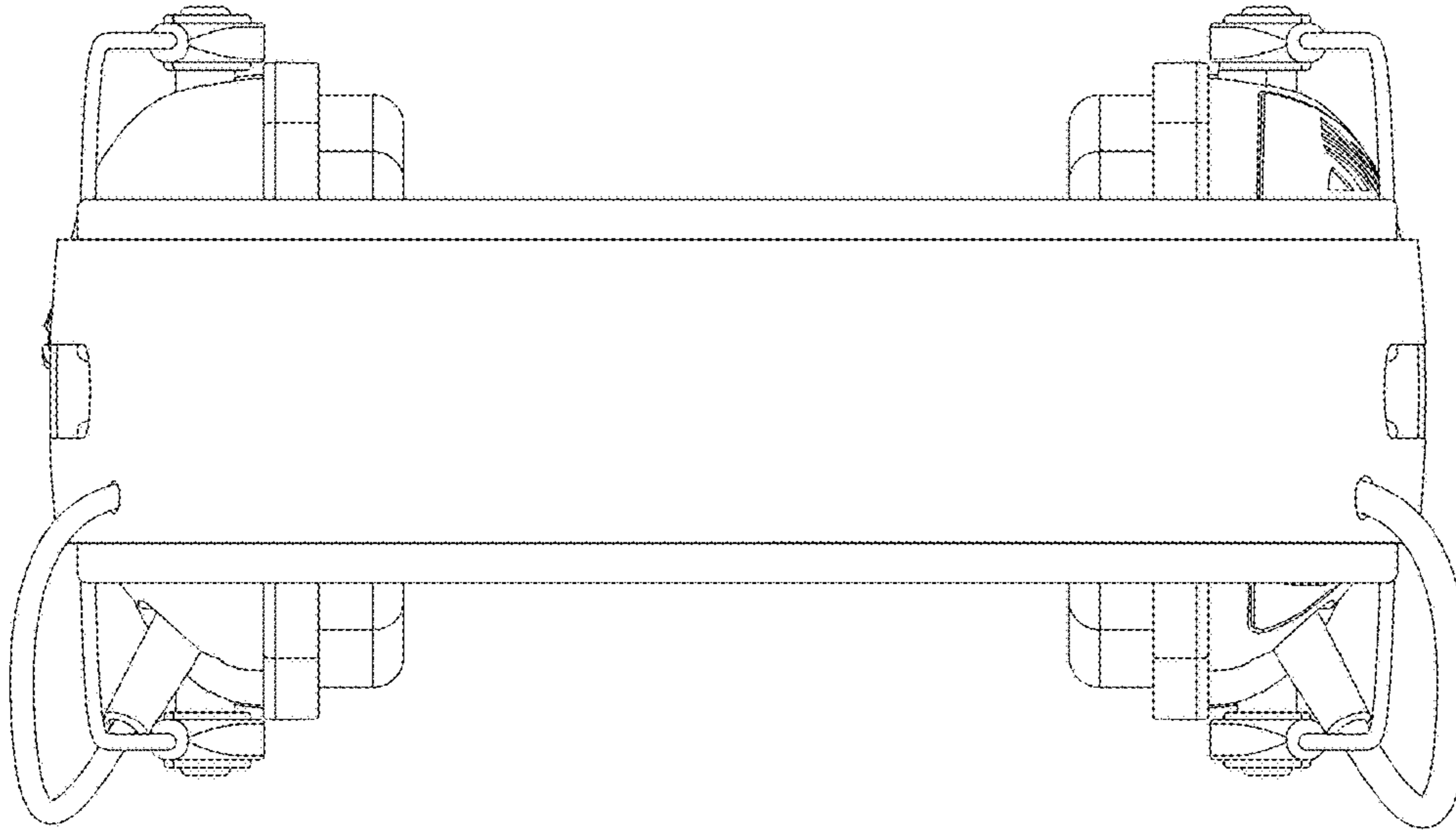


FIG. 5

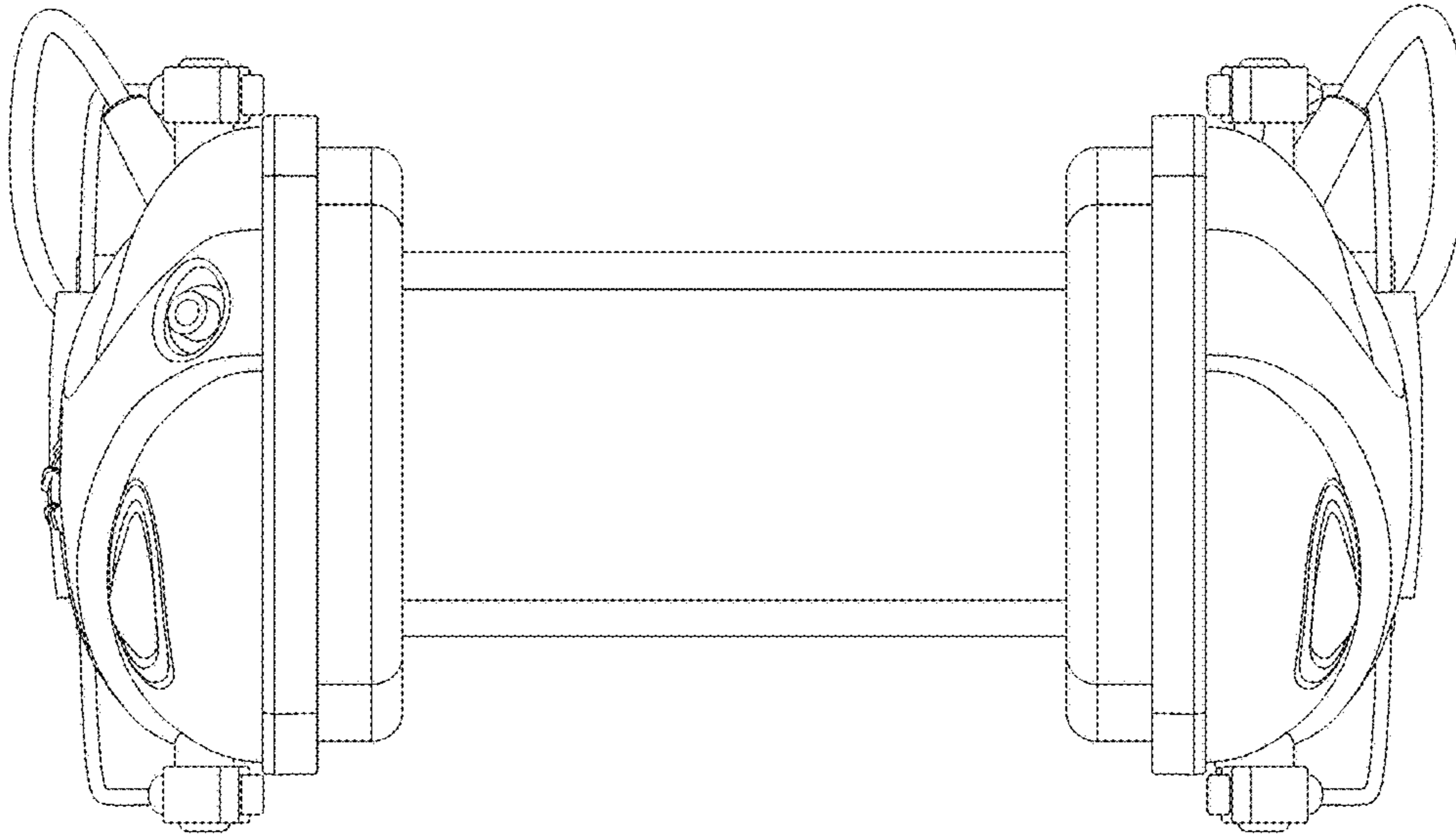


FIG. 6

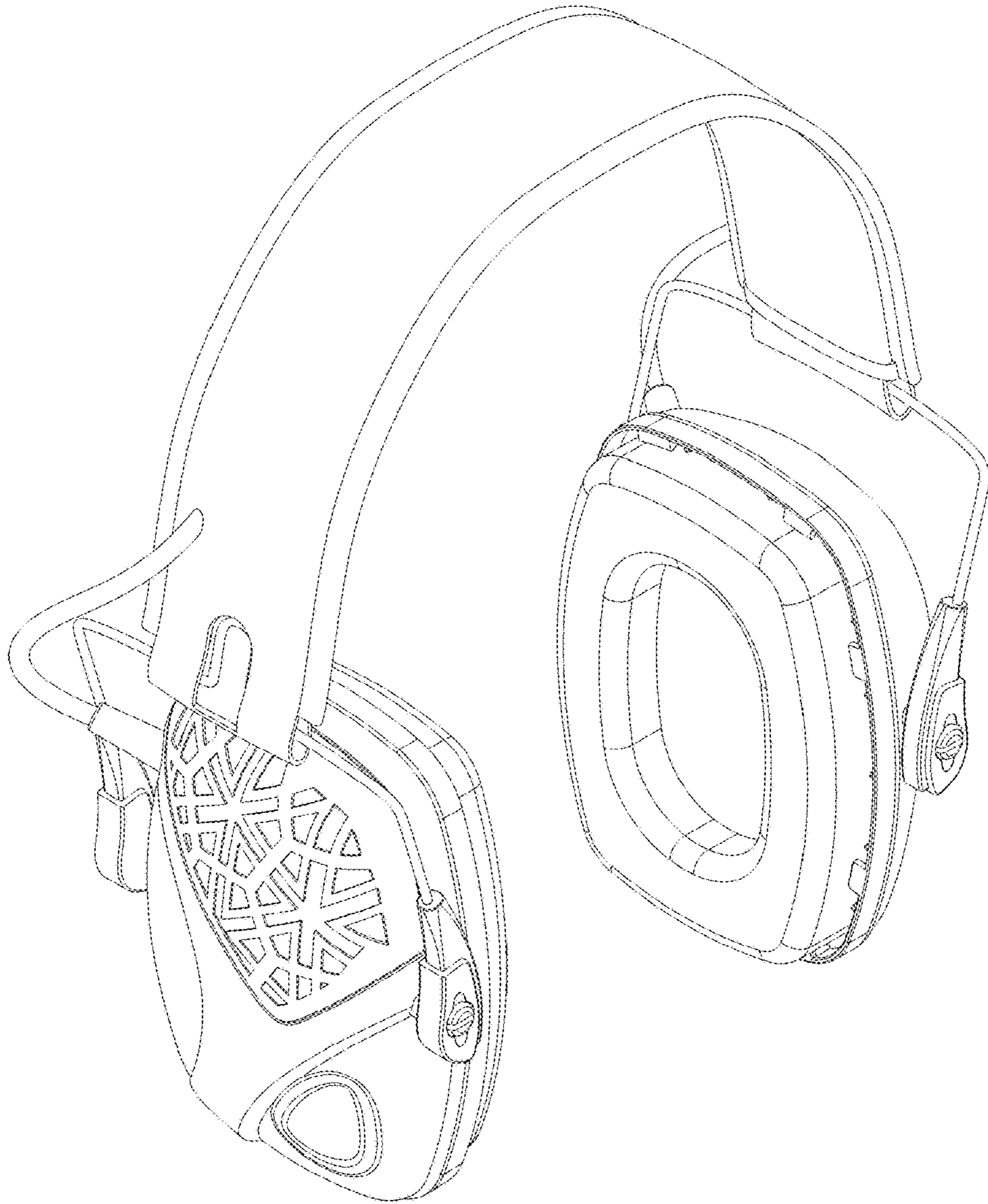


FIG. 7

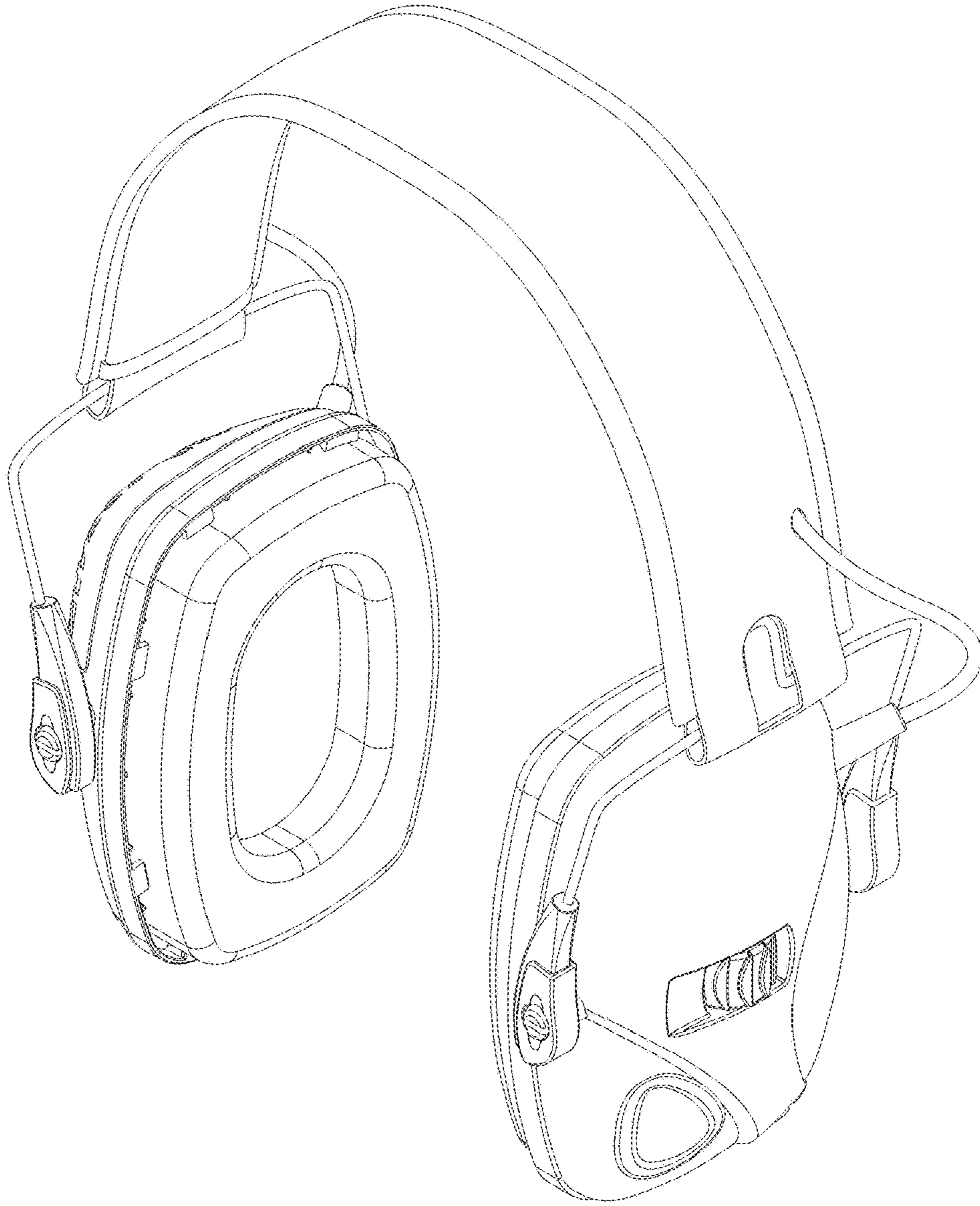


FIG. 8