



US00D863689S

(12) **United States Design Patent**
Suzuki et al.

(10) **Patent No.:** **US D863,689 S**

(45) **Date of Patent:** **** Oct. 15, 2019**

(54) **PROTECTIVE COVER FOR EYES**

(71) Applicant: **DEXERIALS CORPORATION,**
Tokyo (JP)

(72) Inventors: **Shinya Suzuki,** Tokyo (JP); **Eiji Takahashi,** Tokyo (JP)

(73) Assignee: **DEXERIALS CORPORATION,**
Tokyo (JP)

(**) Term: **15 Years**

(21) Appl. No.: **29/663,086**

(22) Filed: **Sep. 12, 2018**

(30) **Foreign Application Priority Data**

Mar. 26, 2018 (JP) 2018-006347

(51) **LOC (12) Cl.** **29-02**

(52) **U.S. Cl.**
USPC **D29/109**

(58) **Field of Classification Search**
USPC D29/104, 105, 106, 107, 108, 109, 110,
D29/122; D16/101, 300, 310, 312, 313,
D16/314, 340, 900
CPC A61F 9/02; A61F 9/028; A61F 9/00; A61F
11/00; A61F 13/00; A61F 2009/021;
A61F 9/04; A61F 9/045; A61F 9/06;
A61F 13/12; A42B 1/06; A41D 13/11;
A41D 13/1107; A41D 13/1184
See application file for complete search history.

(56) **References Cited**

U.S. PATENT DOCUMENTS

1,337,036 A * 4/1920 Bergmann A61F 9/027
2/12
1,917,117 A * 7/1933 Hines A61F 9/04
2/15

D121,121 S * 6/1940 Lehmborg D16/314
D142,237 S * 8/1945 Goldberg 351/61
2,395,297 A * 2/1946 Shock, Jr. A61F 9/026
2/447
D150,508 S * 8/1948 Mendelsohn D16/301
2,545,078 A * 3/1951 Gardner A61F 9/02
2/12
2,556,433 A * 6/1951 Mitchell G02C 7/16
2/432
2,614,255 A * 10/1952 Ellis A61F 9/045
2/12
2,638,593 A * 5/1953 Eloranta A61F 9/045
2/12
4,502,476 A * 3/1985 Welt A61F 9/04
128/858
D284,710 S * 7/1986 Hatchman D16/309
4,644,588 A * 2/1987 Zawacki A61F 9/04
128/858

(Continued)

Primary Examiner — Elizabeth J Oswecki

(74) *Attorney, Agent, or Firm* — Paratus Law Group,
PLLC

(57) **CLAIM**

The ornamental design for a protective cover for eyes, as shown and described.

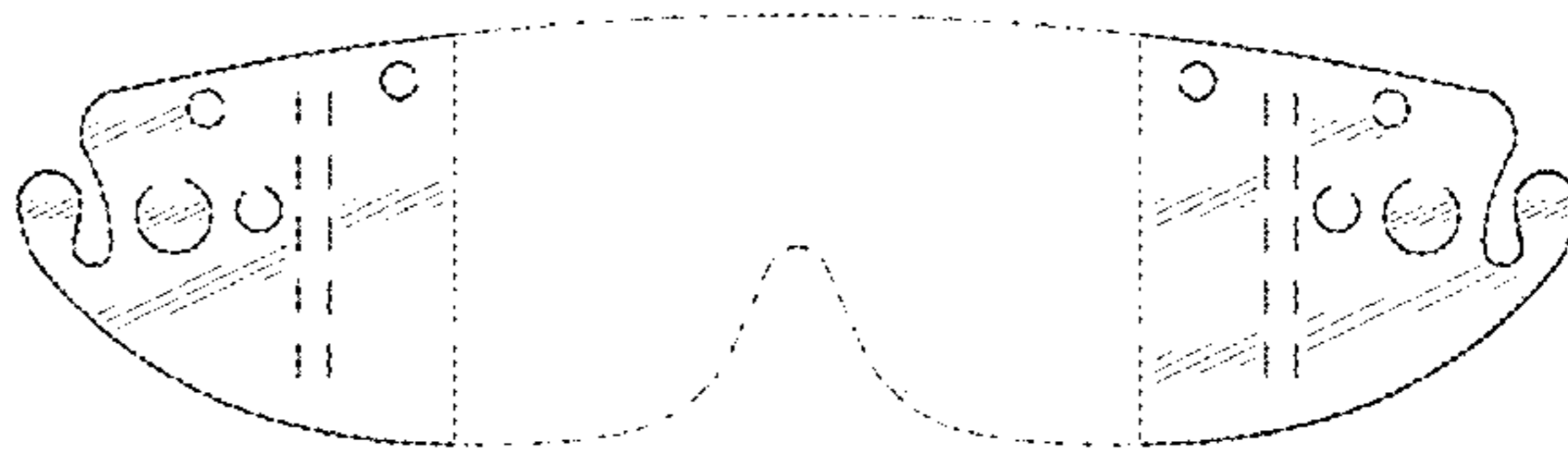
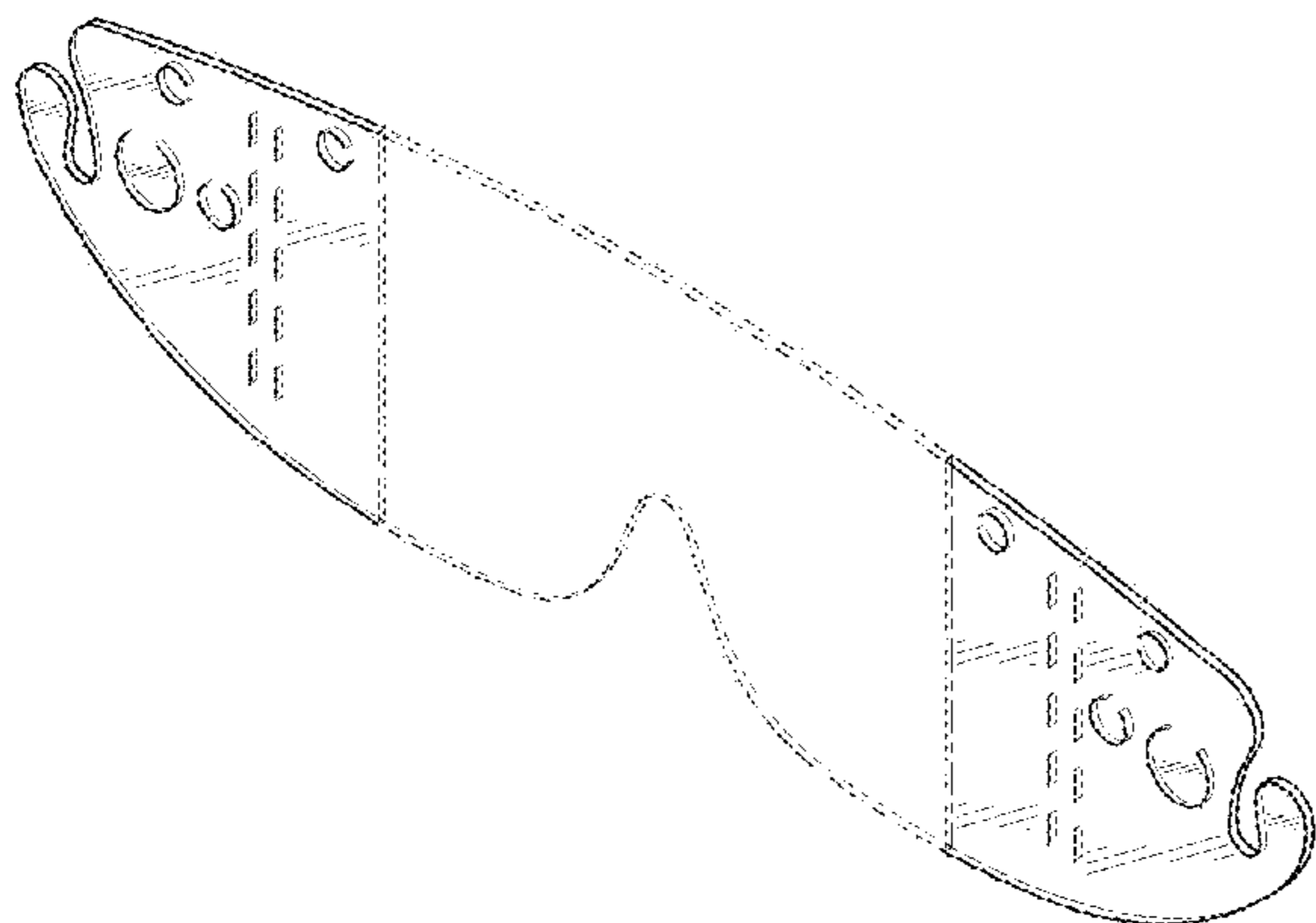
DESCRIPTION

FIG. 1 is a perspective view of a protective cover for eyes showing our new design;
FIG. 2 is a front view thereof;
FIG. 3 is a left side view thereof;
FIG. 4 is a plan view thereof; and,
FIG. 5 is a bottom view thereof.

The broken lines shown are included for the purpose of illustrating portions of the protective cover for eyes and form no part of the claimed design. The dot-dash-dot lines indicate the boundary of the claim. The entire design is transparent.

All surfaces not shown form no part of the claimed design.

1 Claim, 5 Drawing Sheets



(56)

References Cited

U.S. PATENT DOCUMENTS

D299,767 S * 2/1989 Hsin D16/312
4,898,460 A * 2/1990 Magninat G02C 5/00
351/114
4,901,374 A * 2/1990 Van der Woude A61F 9/025
2/431
D307,338 S * 4/1990 Vandeputte D16/313
D309,465 S * 7/1990 Russell D16/312
5,245,709 A * 9/1993 Shipcott A61F 9/027
2/425
5,413,119 A * 5/1995 Guerrant A61F 9/026
128/857
D361,868 S * 8/1995 Raugh D29/109
D380,872 S * 7/1997 Wickland D29/109
D428,620 S * 7/2000 Maturaporn 2/12
6,223,748 B1 * 5/2001 Chaves A61F 9/04
128/857
D534,568 S * 1/2007 Canavan D16/314
D548,251 S * 8/2007 Broersma D16/101
D556,813 S * 12/2007 Bruck D16/314
D722,727 S * 2/2015 Maruyama D16/301
D726,378 S * 4/2015 Wako D29/110
9,134,548 B1 * 9/2015 Olsson G02C 1/04
D741,020 S * 10/2015 Fountain D29/109
D749,585 S * 2/2016 Olsson D14/372
D750,329 S * 2/2016 Leahy D29/109
D768,747 S * 10/2016 Garfias D16/101
D768,748 S * 10/2016 Yoo D16/101
D771,877 S * 11/2016 Vondrak D29/122
D846,617 S * 4/2019 Doyle D16/101

* cited by examiner

FIG. 1

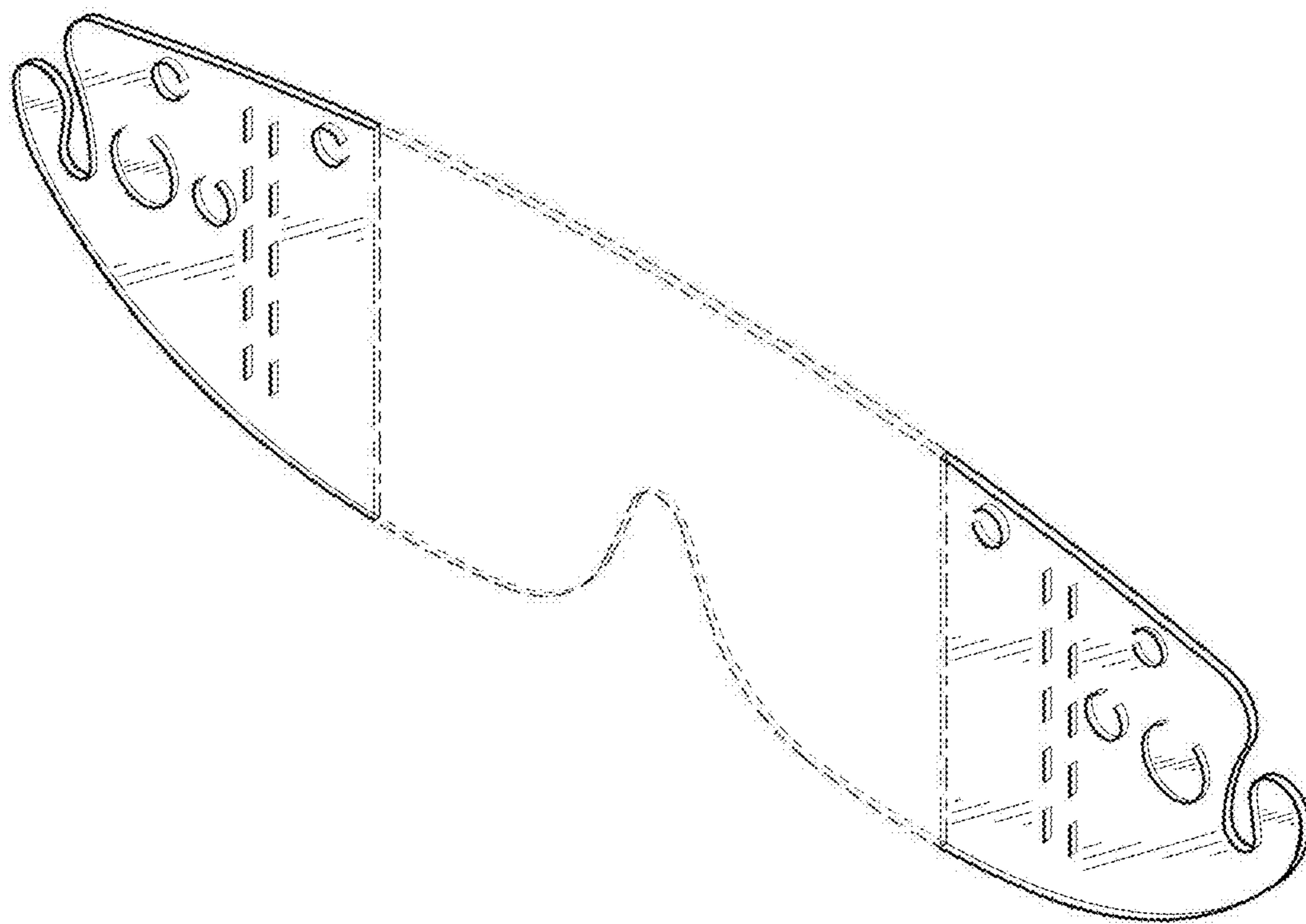


FIG. 2

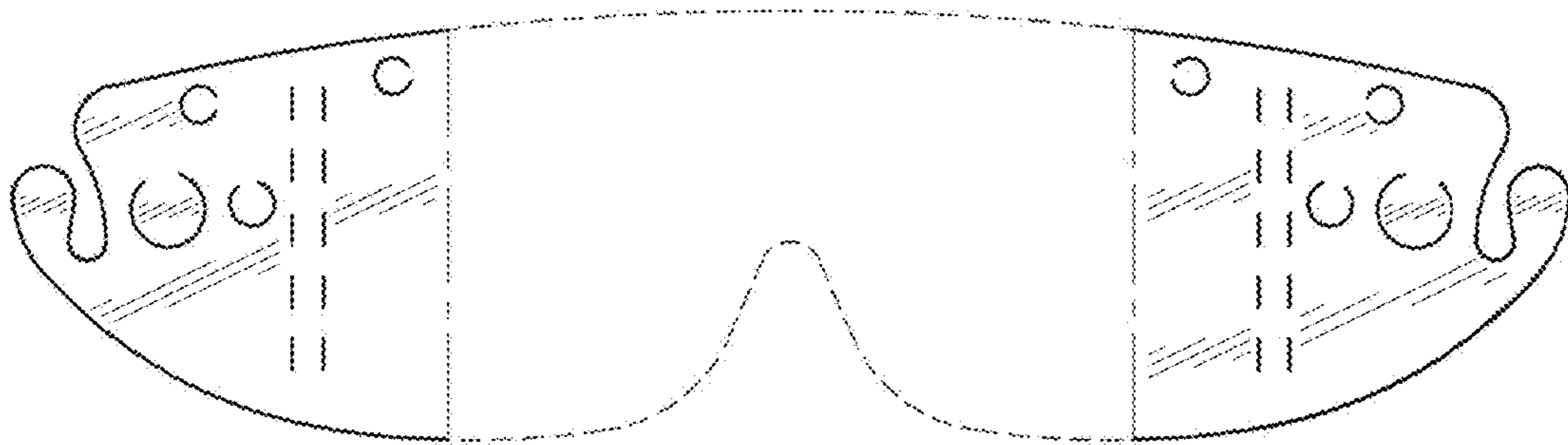


FIG. 3



FIG. 4

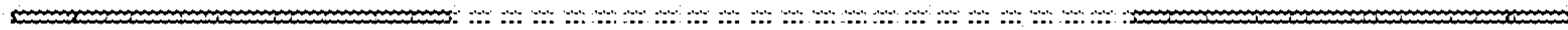


FIG. 5

