

US00D863688S

(12) **United States Design Patent** (10) **Patent No.:** **US D863,688 S**
Ndu (45) **Date of Patent:** **** Oct. 15, 2019**

(54) **WIG STAND**
(71) Applicant: **Justina E. Ndu**, McHenry, IL (US)
(72) Inventor: **Justina E. Ndu**, McHenry, IL (US)
(**) Term: **15 Years**
(21) Appl. No.: **29/675,908**
(22) Filed: **Jan. 7, 2019**

D566,990 S † 4/2008 Cook D6/681.3
D571,575 S * 6/2008 Hunter D6/405
D574,166 S † 8/2008 Kaisler D6/681.3
D624,332 S † 9/2010 Nwatu D20/32
D641,568 S † 7/2011 Bugio D11/148
D649,714 S † 11/2011 Key D28/93
D686,426 S † 7/2013 Muro D6/674
D699,486 S * 2/2014 Huang D6/681.3
D719,769 S † 12/2014 Daniels D6/682
9,427,066 B2 † 8/2016 Davidson A45D 44/14
9,538,831 B1 † 1/2017 Tracy A45D 44/14
D793,131 S † 8/2017 Gazit D6/681.1
D842,549 S * 3/2019 Ndu D28/93
10,219,605 B1 * 3/2019 Love A47G 25/10

(Continued)

Related U.S. Application Data

(62) Division of application No. 29/584,925, filed on Nov. 18, 2016, now Pat. No. Des. 842,549.
(51) **LOC (12) Cl.** **28-04**
(52) **U.S. Cl.**
USPC **D28/93**
(58) **Field of Classification Search**
USPC D28/93, 92, 10; D2/865, 866; D6/681.3;
D20/10, 32; 211/30, 33
CPC A45D 44/14; A45D 44/01; A47F 5/00;
A47F 7/06; A47F 7/00; A47F 7/065
See application file for complete search history.

Primary Examiner — Susan Bennett Hattan
Assistant Examiner — Rebecca Tsehaye
(74) *Attorney, Agent, or Firm* — Stephen T. Scherrer;
Monique A. Morneault; Scherrer Patent & Trademark
Law. P.C.

(57) **CLAIM**

The ornamental design for a wig stand, as shown and described.

(56) **References Cited**

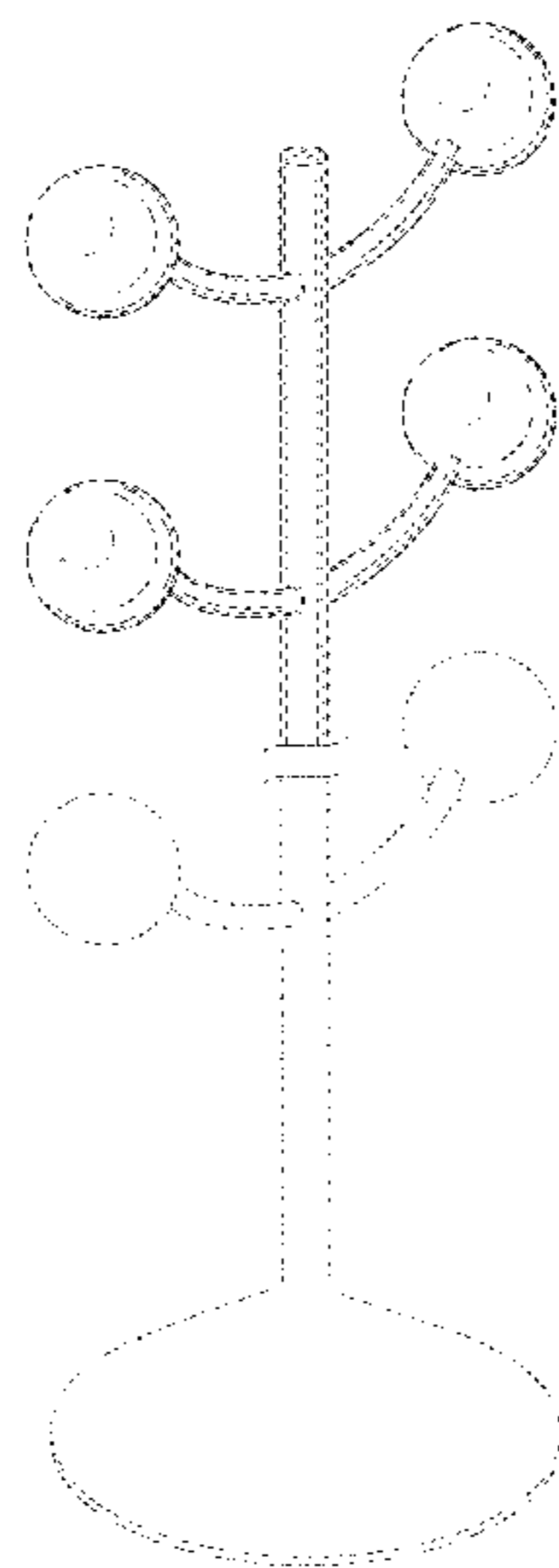
U.S. PATENT DOCUMENTS

D177,749 S * 5/1956 Oliver D6/405
D244,971 S * 7/1977 Naumoff D6/405
D247,937 S * 5/1978 Dilyard D6/405
D250,372 S * 11/1978 Szabo D6/681.3
D254,174 S * 2/1980 Horback D6/405
5,178,286 A * 1/1993 Allison, III A47F 5/06
211/205
D345,871 S * 4/1994 Anderson D6/405
5,598,662 A * 2/1997 Droste A47G 7/041
47/39
D403,533 S † 1/1999 Paul D6/677.3
D482,212 S † 11/2003 Nakaoka D6/405
D538,064 S † 3/2007 Schechter D6/674.1

DESCRIPTION

FIG. 1 is a perspective view of a wig stand showing my new design;
FIG. 2 is a front view thereof;
FIG. 3 is a side view thereof;
FIG. 4 is a top plan view thereof;
FIG. 5 is a bottom plan view thereof; and,
FIG. 6 is another perspective view thereof, showing my new design in use.
The broken lines in the drawings depict portions of the wig stand that form no part of the claimed design.

1 Claim, 5 Drawing Sheets



(56)

References Cited

U.S. PATENT DOCUMENTS

2010/0300900 A1 ‡ 12/2010 Quan A45C 11/16
206/6.1
2012/0300451 A1 * 11/2012 Jin F21V 23/06
362/231

* cited by examiner

‡ imported from a related application

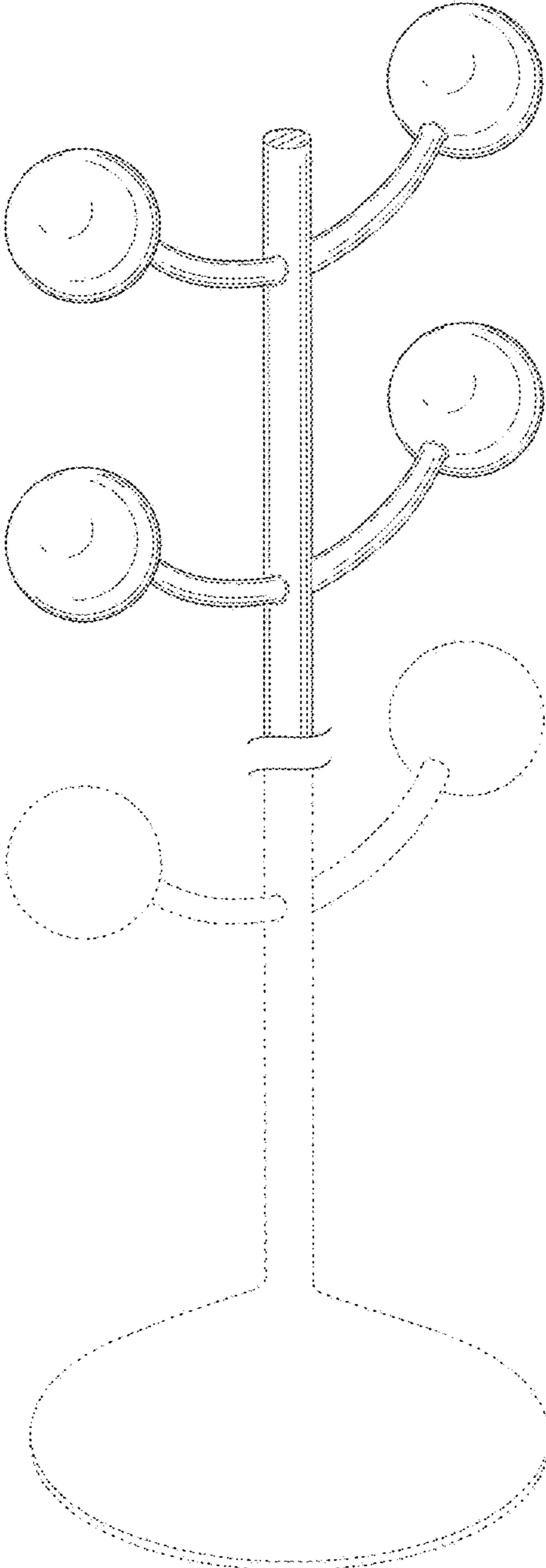


FIG. 1

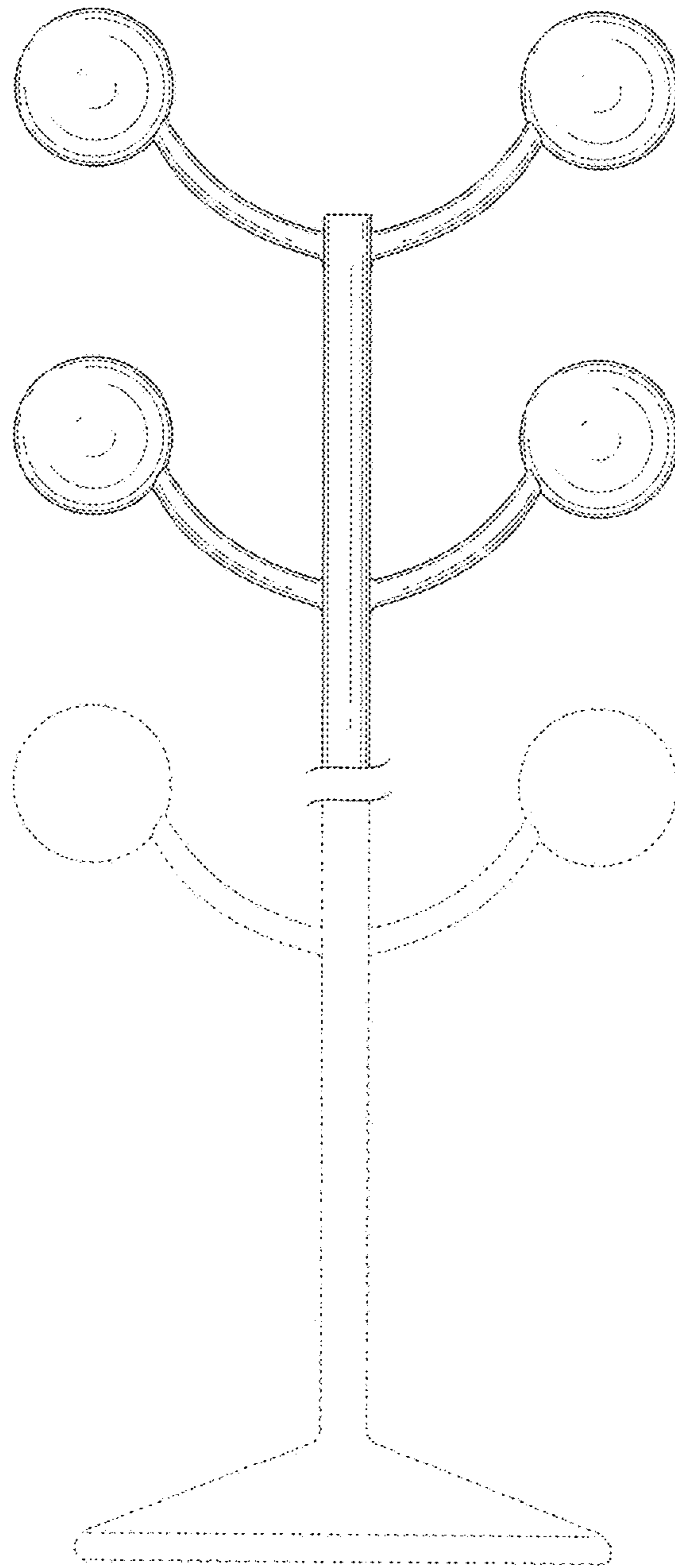


FIG. 2

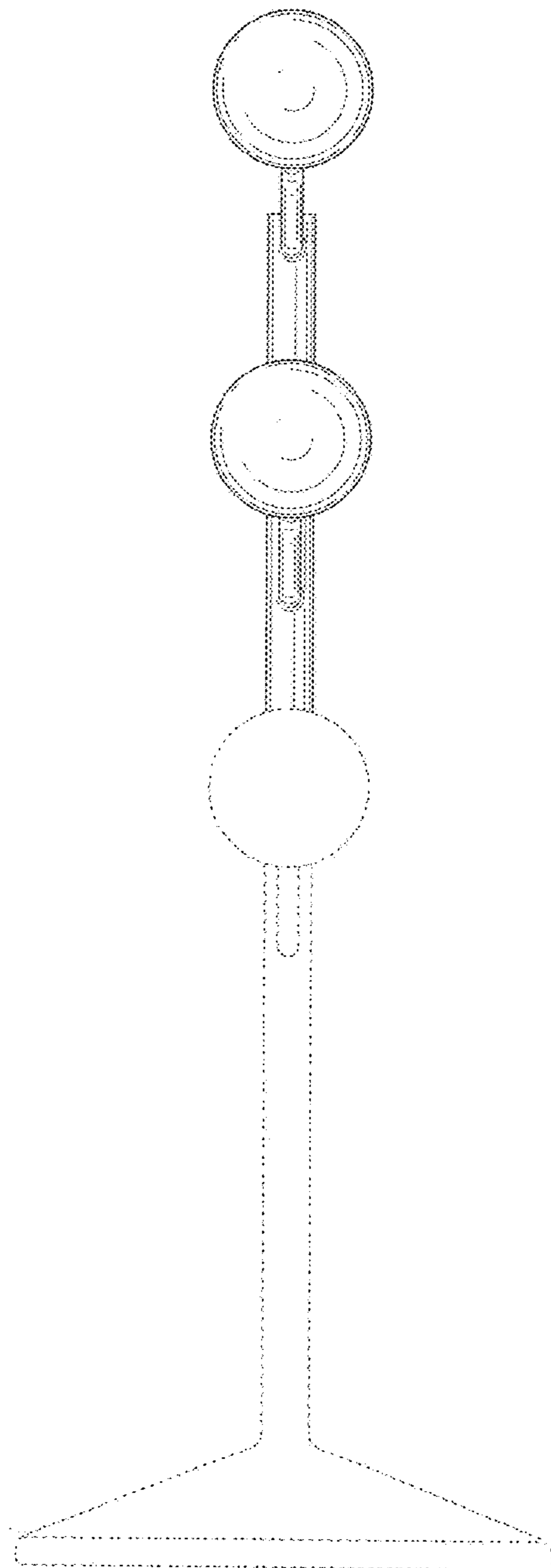


FIG. 3

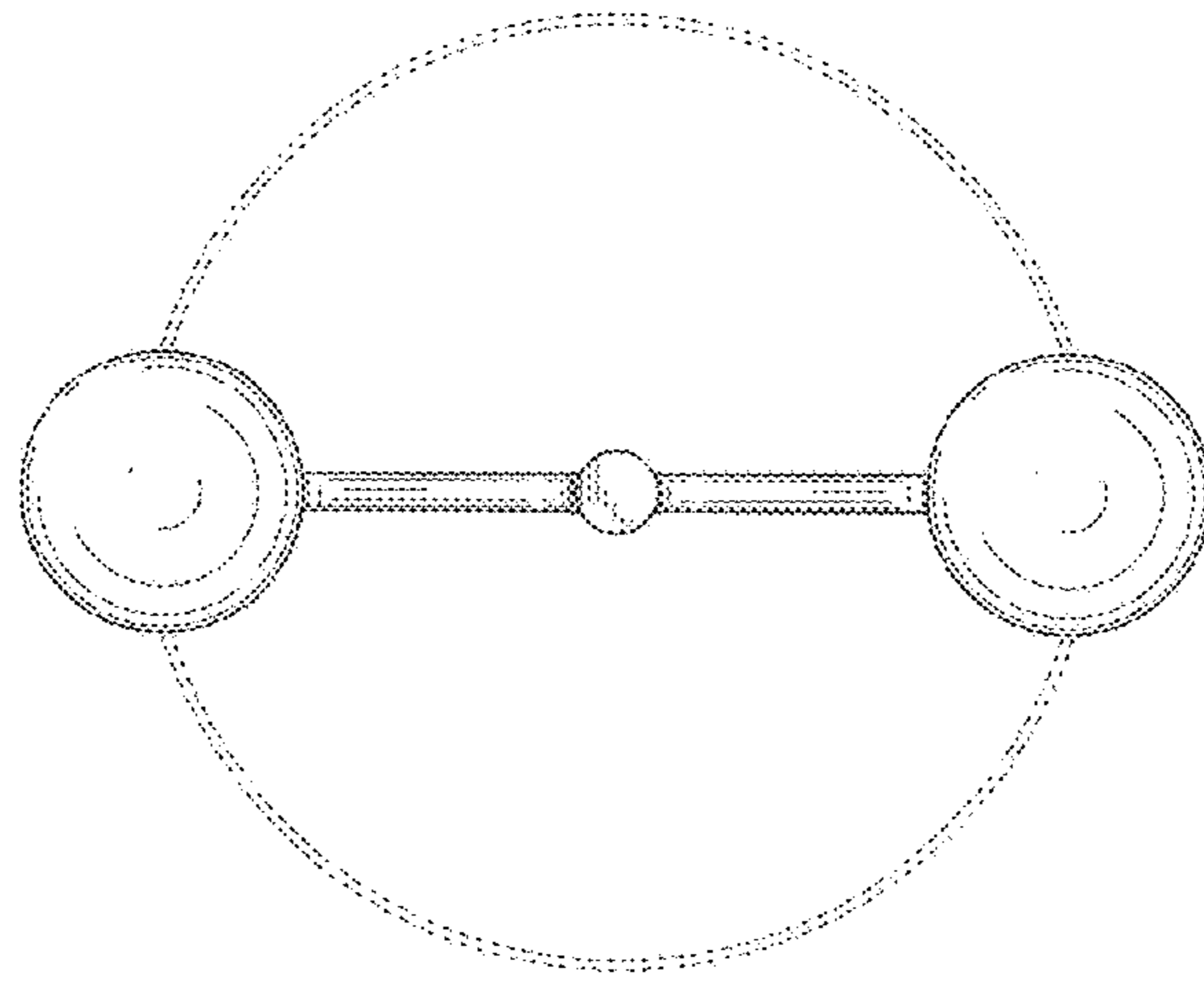


FIG. 4

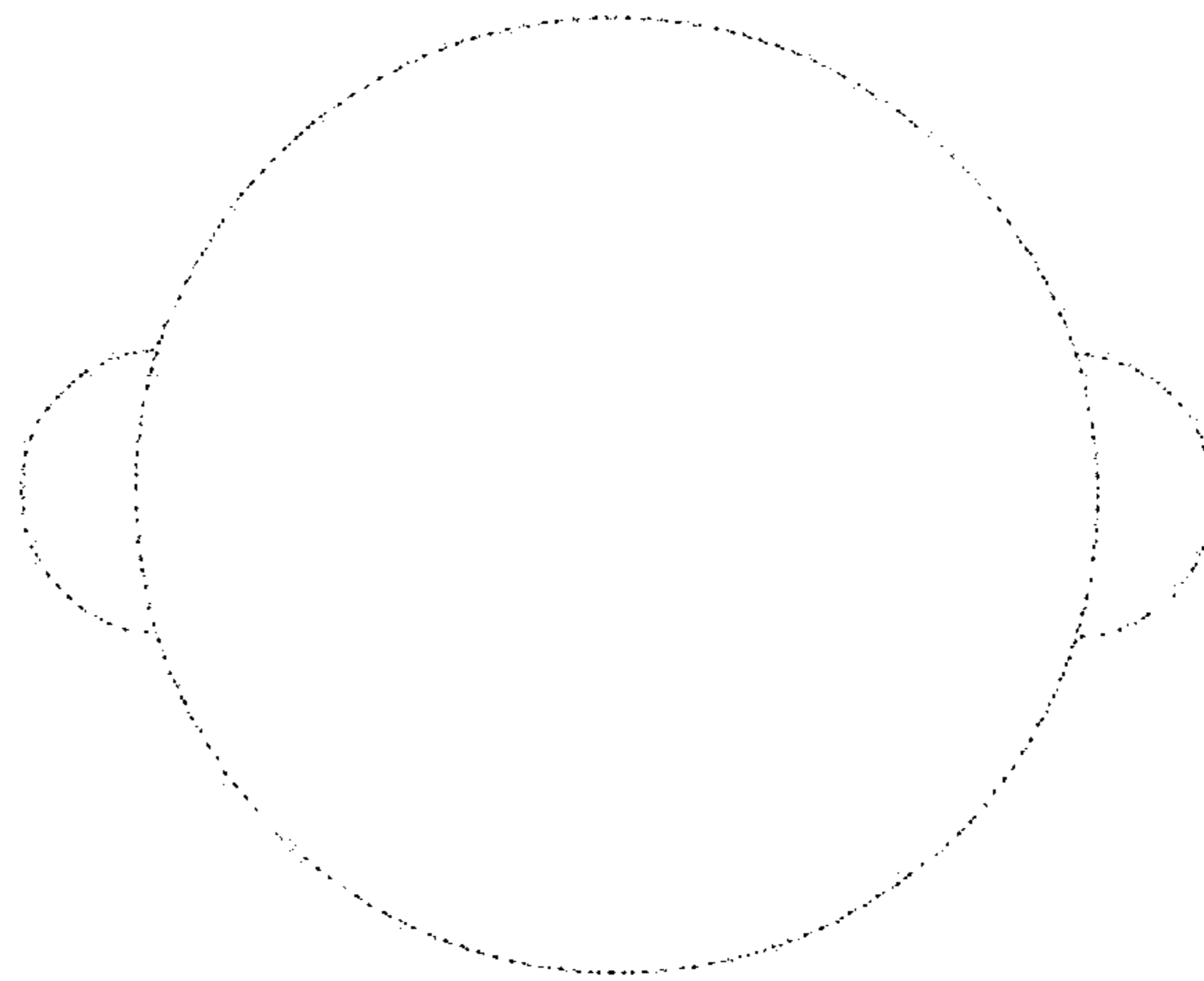


FIG. 5

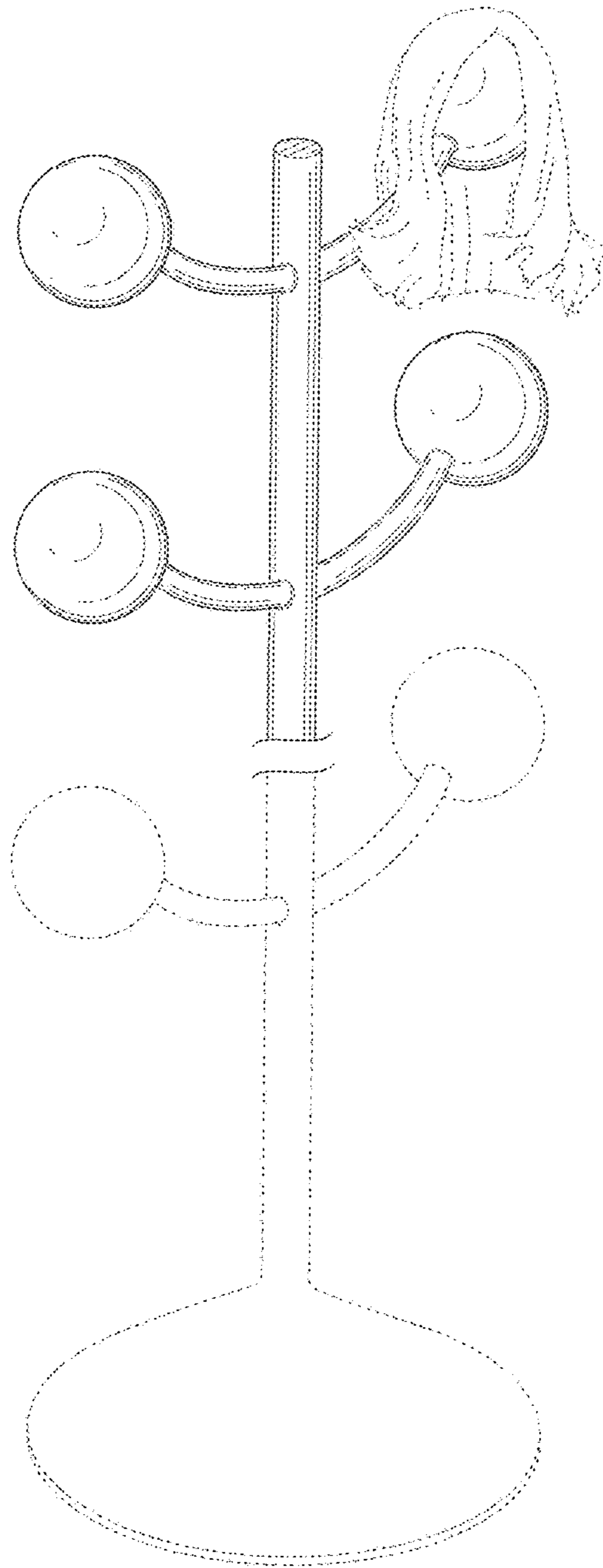


FIG. 6