



US00D863686S

(12) **United States Design Patent**  
**Min**

(10) **Patent No.:** **US D863,686 S**

(45) **Date of Patent:** **\*\* \*Oct. 15, 2019**

- (54) **COSMETIC RECEPTACLE**
- (71) Applicant: **BARAM INTERNATIONAL CO., LTD.**, Seoul (KR)
- (72) Inventor: **Seul Ki Min**, Seoul (KR)
- (73) Assignee: **BARAM INTERNATIONAL CO., LTD.**, Seoul (KR)
- (\*) Notice: This patent is subject to a terminal disclaimer.
- (\*\*) Term: **15 Years**

- 1,778,575 A \* 10/1930 Wacker ..... A45D 33/006  
132/301
- 1,845,507 A \* 2/1932 McAtree ..... A45D 33/006  
132/296
- 1,875,127 A \* 8/1932 Parkin ..... A45D 33/24  
132/296
- 1,959,784 A \* 5/1934 Goertz ..... A45D 33/006  
132/303
- 2,046,133 A \* 6/1936 Rathbun ..... B65D 43/168  
16/DIG. 19
- D270,579 S \* 9/1983 Numbers ..... D28/78
- D276,470 S \* 11/1984 Lo ..... D28/64.3
- D309,043 S \* 7/1990 Bakic ..... D28/78
- D309,511 S \* 7/1990 Bertlin ..... D28/78
- D313,288 S \* 12/1990 Bakic ..... D28/77

(Continued)

(21) Appl. No.: **29/633,859**

(22) Filed: **Jan. 16, 2018**

(30) **Foreign Application Priority Data**

Sep. 27, 2017 (KR) ..... 30-2017-0045652

(51) **LOC (12) Cl.** ..... **28-03**

(52) **U.S. Cl.**  
USPC ..... **D28/83**

(58) **Field of Classification Search**  
USPC .... D28/64.1, 76-84; D9/414, 430, 503-505,  
D9/722, 529, 737, 756, 759; D3/295  
CPC ..... A45D 33/006; A45D 33/003; A45D  
33/04-33; A45D 33/025; A45D 33/02;  
A45D 33/20; A45D 33/22; A45D 33/24;  
A45D 33/26; A45D 33/28; A45D 33/18;  
A45D 40/22; A45D 40/222; A45D 40/24  
See application file for complete search history.

(56) **References Cited**

**U.S. PATENT DOCUMENTS**

- D65,681 S \* 9/1924 Worth ..... D28/91
- 1,612,409 A \* 12/1926 Anderson ..... A45D 33/025  
132/295
- 1,735,483 A \* 11/1929 Wacker ..... A45D 33/006  
132/296

**OTHER PUBLICATIONS**

Paradise Dual Palette, Dear Dahlia, published on Aug. 7, 2018 on youtube.com, retrieved on Jan. 14, 2019, retrieved from the Internet URL: <https://www.youtube.com/watch?v=P0lvDNiDd-Y>.\*

(Continued)

*Primary Examiner* — Jennifer Rivard  
*Assistant Examiner* — Alison M Ofstun  
(74) *Attorney, Agent, or Firm* — Hauptman Ham, LLP

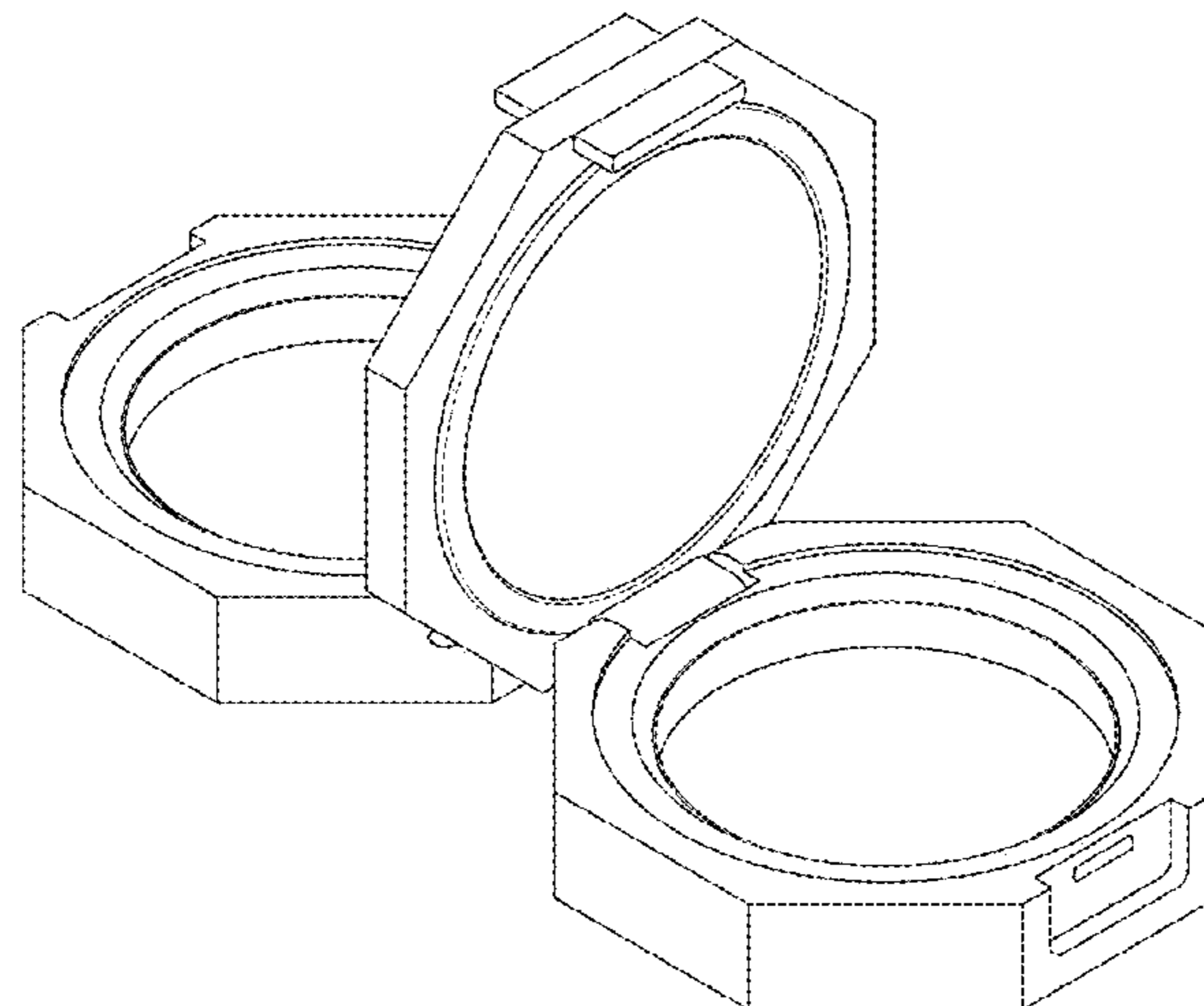
(57) **CLAIM**

The ornamental design for a cosmetic receptacle, as shown and described.

**DESCRIPTION**

FIG. 1 is a perspective view of a cosmetic receptacle showing my new design;  
FIG. 2 is a front view thereof;  
FIG. 3 is a rear view thereof;  
FIG. 4 is a left side view thereof;  
FIG. 5 is a right side view thereof;  
FIG. 6 is a top view thereof; and,  
FIG. 7 is a bottom view thereof.

**1 Claim, 7 Drawing Sheets**



(56)

**References Cited**

U.S. PATENT DOCUMENTS

D314,066 S \* 1/1991 Bakic ..... D28/77  
D318,144 S \* 7/1991 Scarpa ..... D28/78  
D544,342 S \* 6/2007 Liebe ..... D28/78  
D552,982 S \* 10/2007 Liebe ..... D28/78  
2017/0273438 A1 \* 9/2017 Liu ..... A45D 40/221

OTHER PUBLICATIONS

The Notice of Preliminary Rejection dated Mar. 8, 2018 in connection with the counterpart Korean Patent Application No. 30-2017-0045652.

\* cited by examiner

FIG. 1

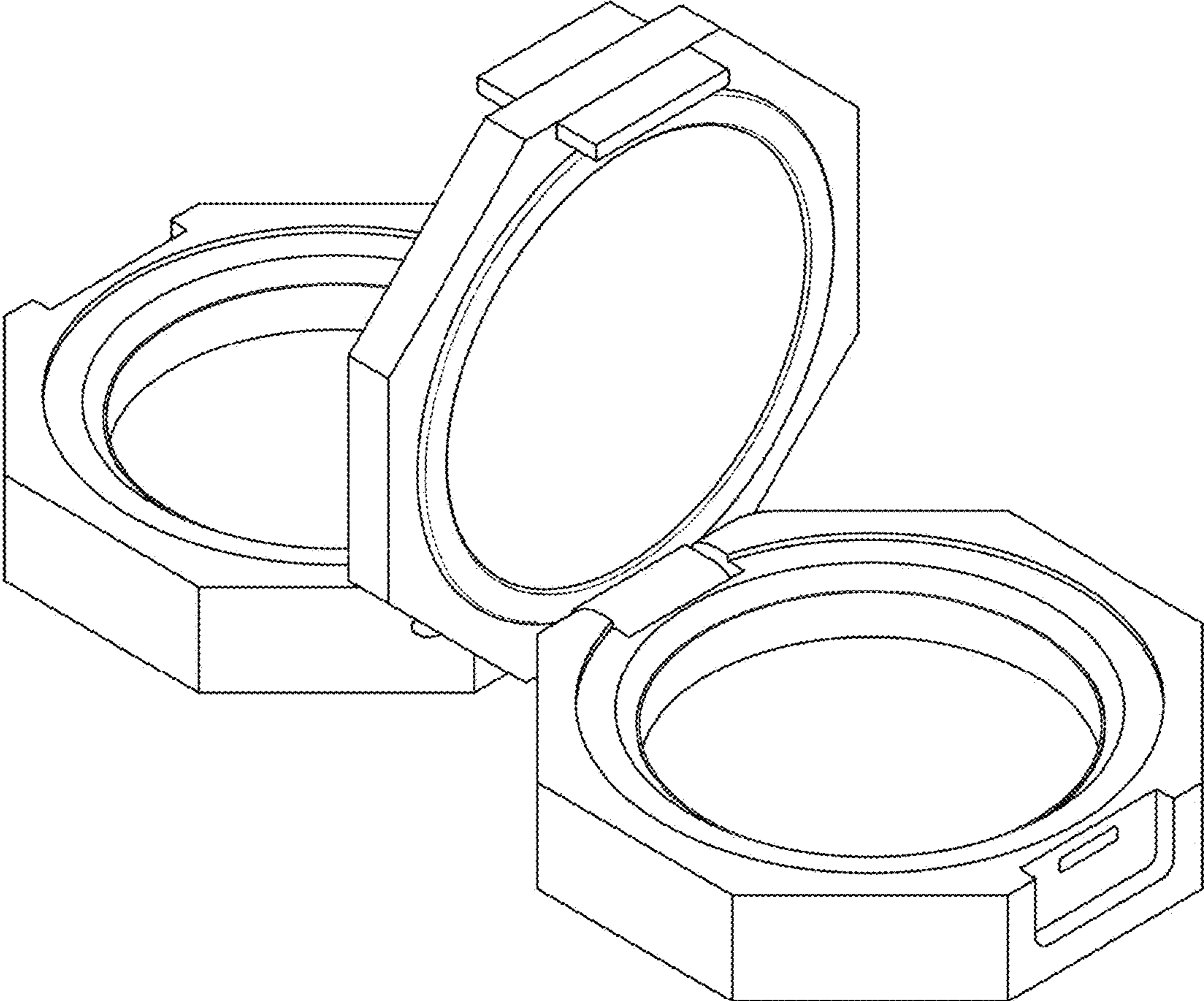


FIG. 2

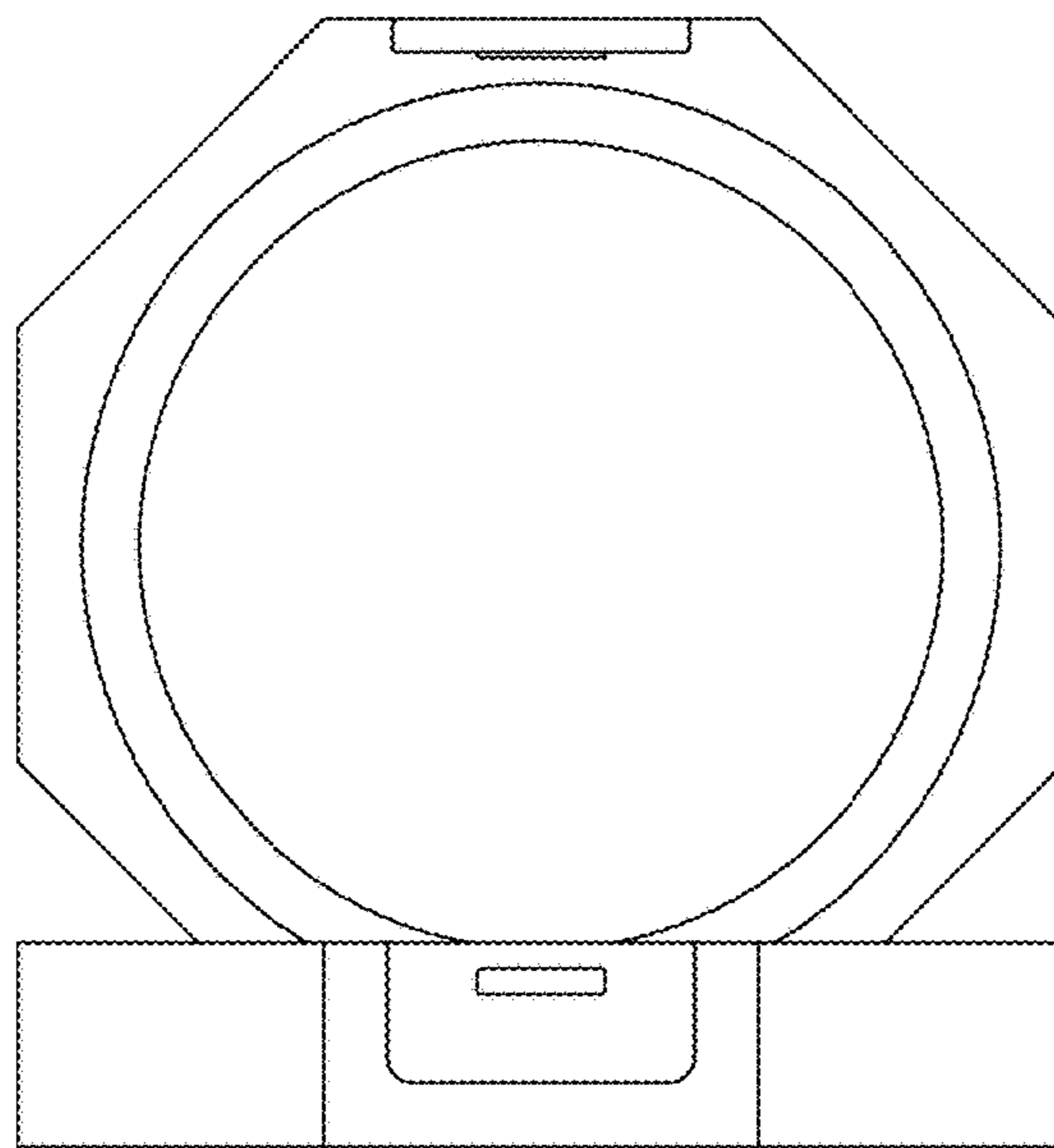


FIG. 3

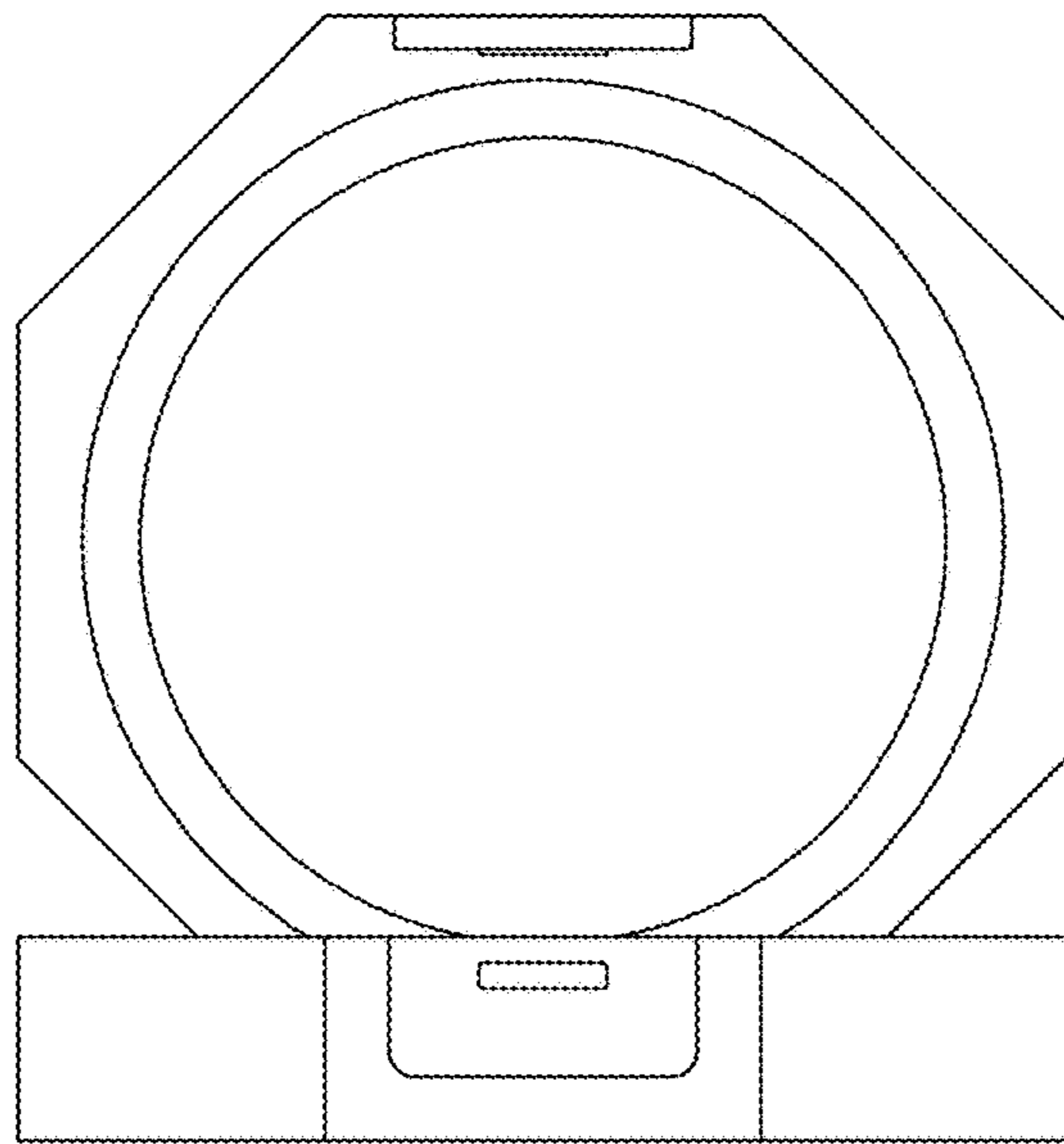


FIG. 4

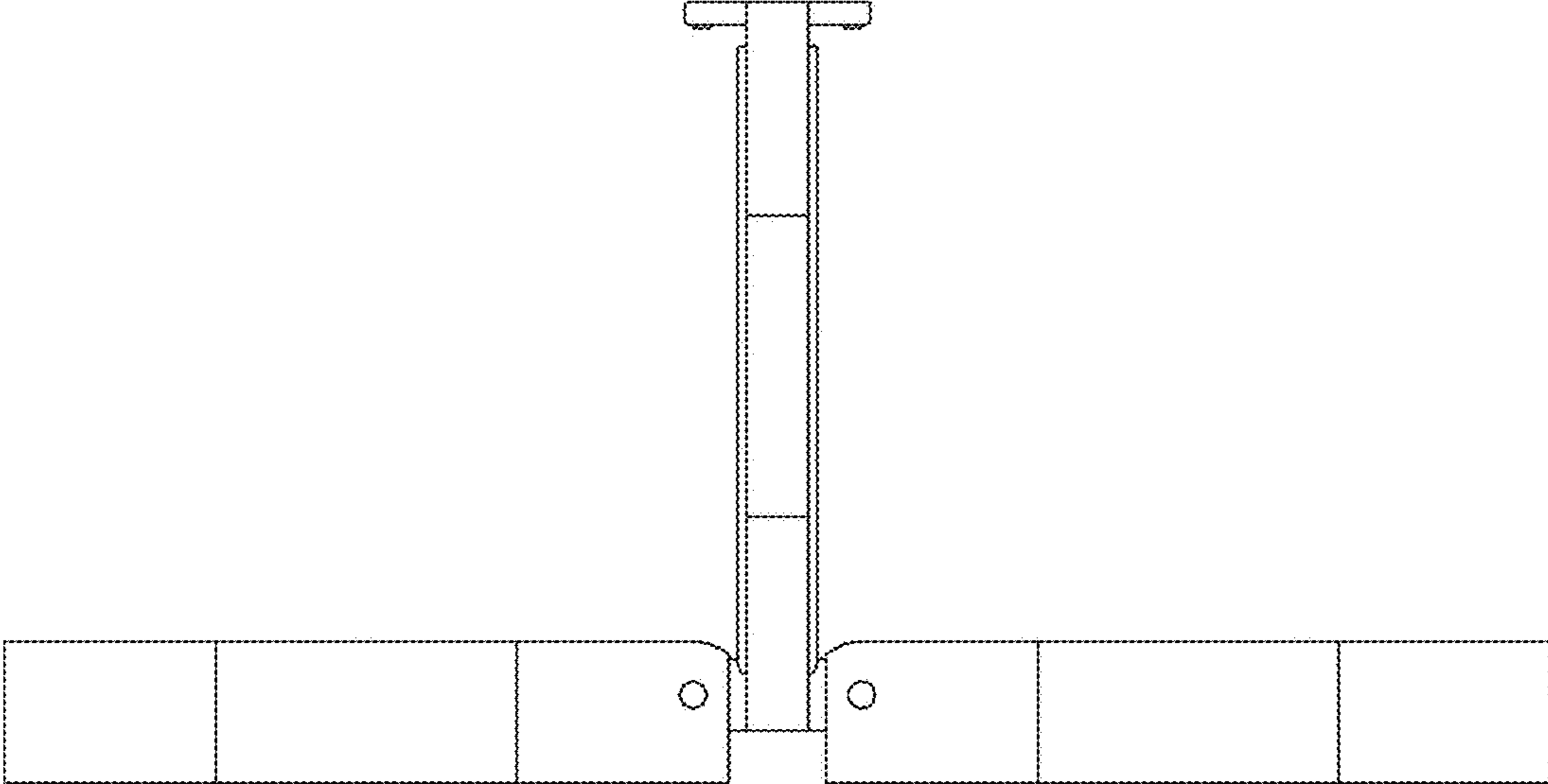


FIG. 5

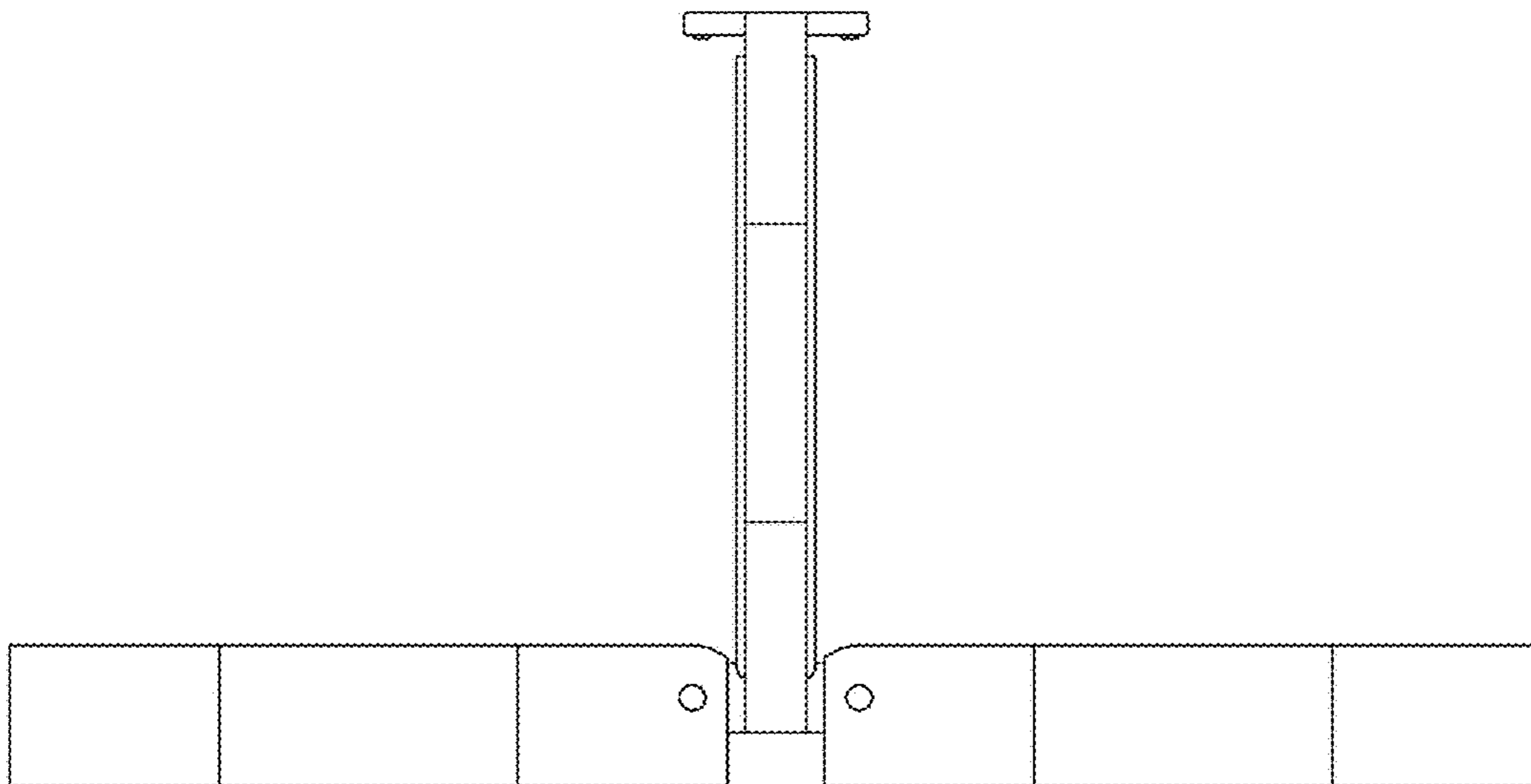


FIG. 6

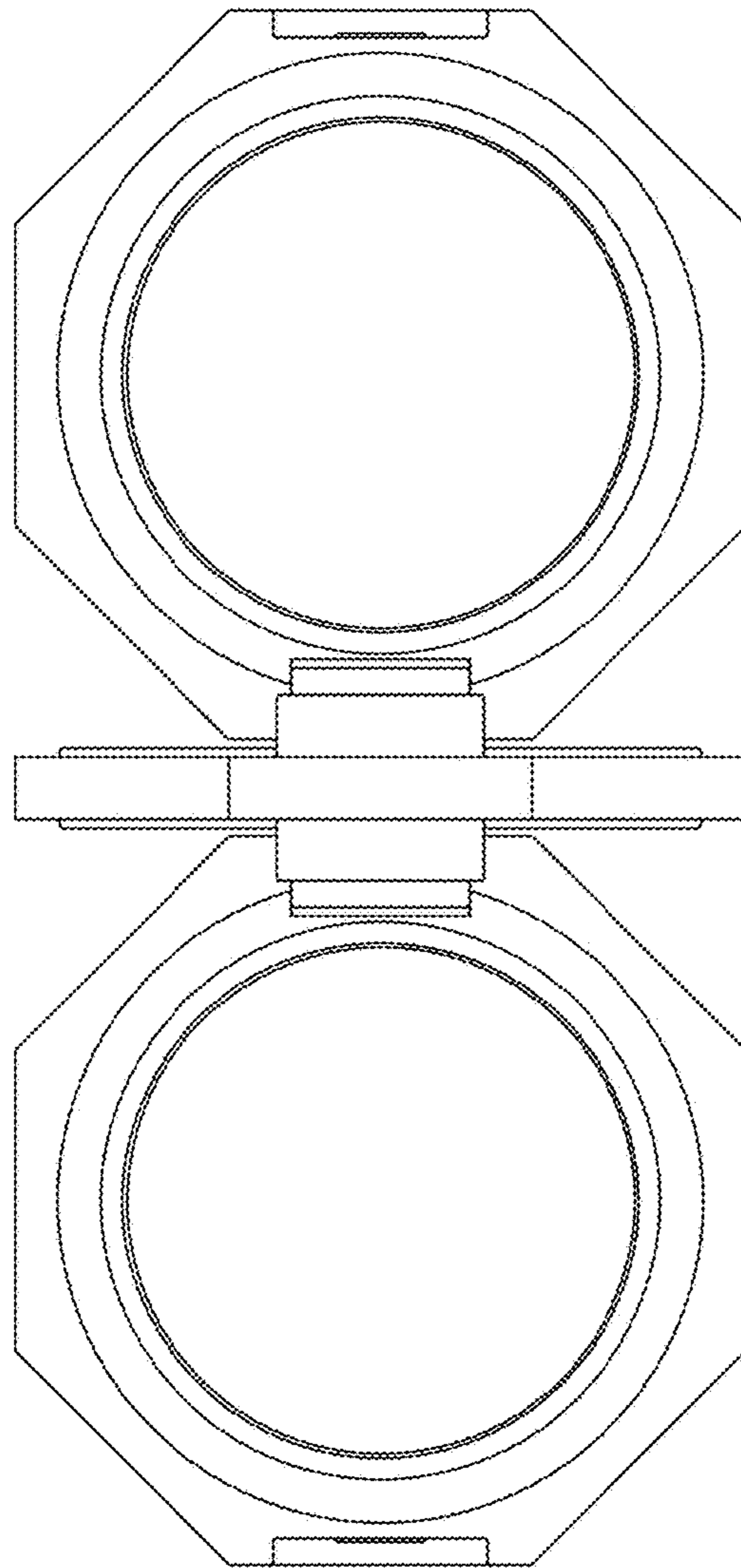




FIG. 7

