



US00D863685S

(12) **United States Design Patent** (10) **Patent No.:** **US D863,685 S**  
**Staab et al.** (45) **Date of Patent:** **\*\* \*Oct. 15, 2019**

(54) **COSMETIC COMPACT**

(71) Applicant: **Mary Kay Inc.**, Addison, TX (US)

(72) Inventors: **Jenny DeMarco Staab**, Frisco, TX (US); **Alexa Hanna**, Addison, TX (US)

(73) Assignee: **Mary Kay Inc.**, Addison, TX (US)

(\*) Notice: This patent is subject to a terminal disclaimer.

(\*\*) Term: **15 Years**

(21) Appl. No.: **29/627,401**

(22) Filed: **Nov. 27, 2017**

(51) **LOC (12) Cl.** ..... **28-03**

(52) **U.S. Cl.**  
 USPC ..... **D28/83**

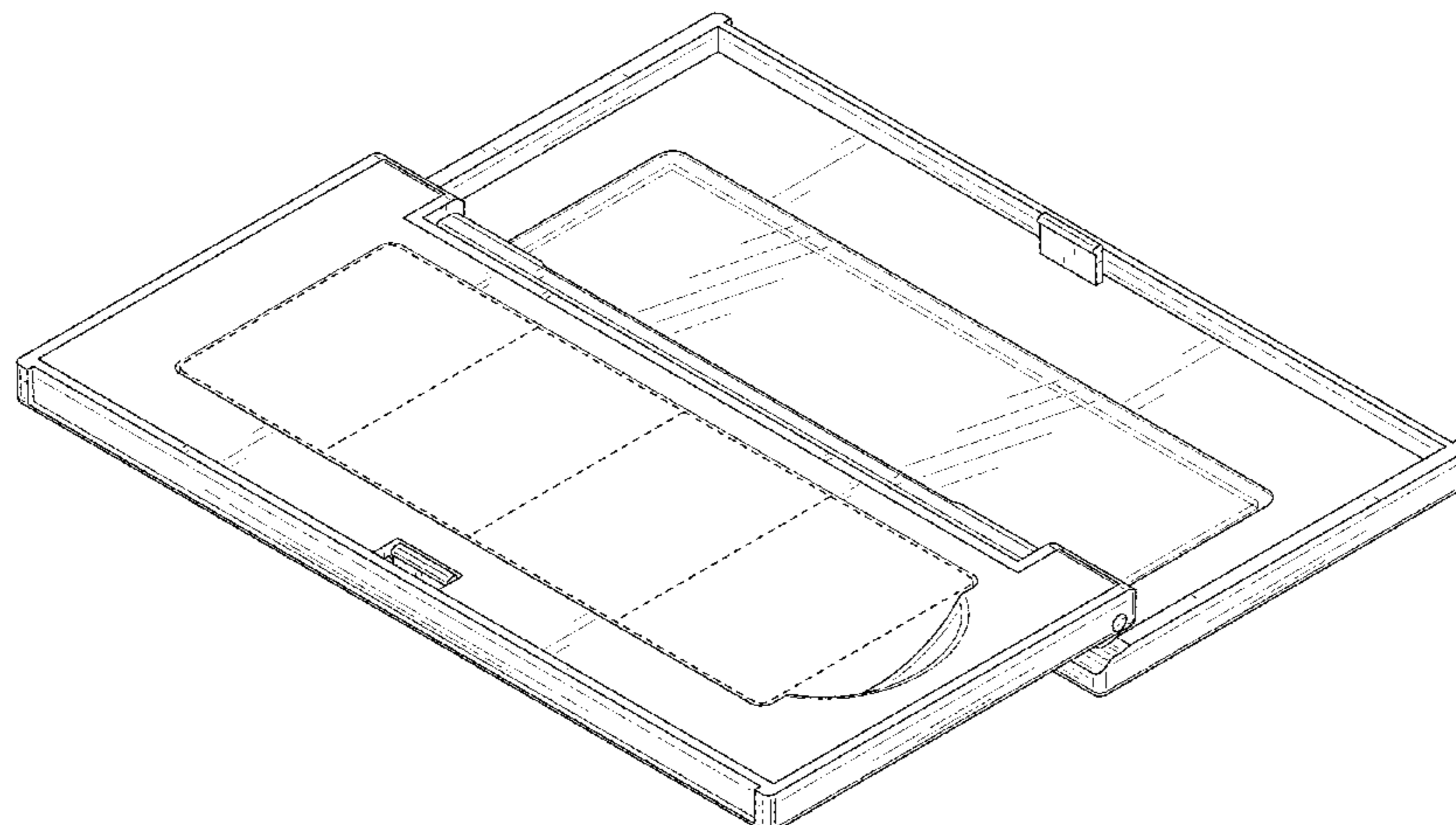
(58) **Field of Classification Search**  
 USPC ..... D28/76-84  
 CPC ..... A45D 33/00; A45D 33/003; A45D 33/006-33/008; A45D 33/16; A45D 33/24; A45D 33/20; A45D 2200/051-2200/053; A45D 40/22; A45D 40/24

See application file for complete search history.

(56) **References Cited**

**U.S. PATENT DOCUMENTS**

1,414,899 A	5/1922	Sabatelli	D252,891 S	9/1979	Stutzer
1,502,013 A	7/1924	Benois	D262,151 S	12/1981	Sussman
1,632,864 A	6/1927	Weber	D263,634 S	3/1982	Ballereaud
1,694,702 A	12/1928	Deitel	D270,387 S	8/1983	Rutherford
1,778,522 A	10/1930	Deitel	4,421,127 A	12/1983	Geer
1,830,665 A	11/1931	Lessing	D277,422 S	1/1985	Bakic
1,851,462 A	3/1932	Stellar	D279,225 S	6/1985	Chevassus
1,919,486 A	7/1933	Storch	D280,244 S	8/1985	Buchet
D112,651 S	12/1938	Barnhart	D280,852 S	10/1985	Bakic
2,161,715 A	6/1939	MacDonald	D280,853 S	10/1985	Bakic
2,196,801 A	4/1940	Kreisler	D281,731 S	12/1985	Phu
2,415,357 A	2/1947	Kucki	4,589,430 A	5/1986	Sussman
2,421,646 A	6/1947	Pepin	D291,608 S	8/1987	Chevassus
3,911,936 A	10/1975	Kingsford	D291,609 S	8/1987	Bakic
			D292,626 S	11/1987	Chevassus
			D293,612 S	1/1988	Bulwik
			D293,724 S	1/1988	Kingsford et al.
			D295,452 S	4/1988	Bakic
			D301,124 S	5/1989	Bakic
			D301,642 S	6/1989	Bakic
			D302,604 S	8/1989	Bakic
			D303,582 S	9/1989	Gavin
			D303,583 S	9/1989	Bakic
			4,863,034 A	9/1989	Contreras, Sr.
			D305,164 S	12/1989	Hall
			D307,335 S	4/1990	Scalamandre et al.
			D307,810 S	5/1990	Gavin
			4,951,692 A	8/1990	Yuhara et al.
			D310,735 S	9/1990	Ferrari
			D314,448 S	2/1991	Bakic
			D316,462 S	4/1991	Restrepo
			5,005,697 A	4/1991	Jimbo et al.
			D316,763 S	5/1991	Ferrari
			D321,415 S	11/1991	Chen
			D321,416 S	11/1991	Bakic
			D322,692 S	12/1991	Trabattoni
			D322,865 S	12/1991	Favre
			D324,587 S	3/1992	Di Nuccio
			5,092,354 A	3/1992	Pacelli, Jr.
			D326,226 S	5/1992	Gerhart
			5,161,556 A	11/1992	Audebourg et al.
			D332,328 S	1/1993	Lombardi, Jr.
			D338,279 S	8/1993	Davis
			D339,883 S	9/1993	Madar
			D345,622 S	3/1994	Byars et al.
			D345,826 S	4/1994	Byars et al.
			D347,089 S	5/1994	Byars et al.
			D351,049 S	9/1994	Schlueter
			D352,601 S	11/1994	Dallaire
			D355,730 S	2/1995	Chen
			5,437,294 A *	8/1995	Ebbets, III ..... A45D 40/22 132/296
			D365,892 S	1/1996	Markham





# US D863,685 S

5,638,838 A	6/1997	Lombardi	D653,397 S	1/2012	De Lima Paschoal et al.	
5,655,553 A	8/1997	Giese et al.	D655,045 S	2/2012	Paschoal et al.	
5,682,910 A	11/1997	Kizawa et al.	D655,046 S	2/2012	Nakamura	
5,713,471 A	2/1998	Gueret	D655,865 S *	3/2012	Villarreal .....	D28/83
D397,831 S	9/1998	Stoecker	D655,866 S	3/2012	Villarreal et al.	
5,813,420 A	9/1998	Sussman	8,215,320 B2	7/2012	Prague et al.	
D401,017 S	11/1998	Thorpe	D682,474 S	5/2013	Owen et al.	
D404,532 S	1/1999	Castagna	D682,475 S	5/2013	Owen et al.	
D404,533 S	1/1999	Morgan	D687,186 S *	7/2013	Lai .....	D28/83
D407,853 S	4/1999	Morgan	D687,187 S *	7/2013	Lai .....	D28/83
D407,855 S	4/1999	Orsomando	D687,188 S *	7/2013	Lai .....	D28/83
D407,856 S *	4/1999	Orsomando .....	D687,603 S	8/2013	Chen et al.	D28/83
D409,801 S	5/1999	Kim	D688,008 S	8/2013	Fama	
D411,767 S	7/1999	Keller	D688,831 S	8/2013	Giardina	
D412,602 S	8/1999	Bakic	8,573,233 B2	11/2013	Chen	
D422,120 S	3/2000	Orsomando	8,590,545 B2	11/2013	Won	
D422,753 S	4/2000	Einarson	D709,651 S	7/2014	Gaito	
D424,245 S	5/2000	Stoecker	8,770,209 B2	7/2014	Kim et al.	
D428,208 S	7/2000	Nodarse	8,807,146 B2	8/2014	Sobol	
D428,210 S	7/2000	Gavin	D718,499 S	11/2014	Pourmehr	
D428,211 S	7/2000	Gavin	D718,500 S	11/2014	Pourmehr	
D433,539 S	11/2000	Gavin	D718,904 S	12/2014	Parker	
D433,773 S	11/2000	Gavin	D718,905 S	12/2014	Matsuishi et al.	
D434,189 S	11/2000	Gavin	D718,906 S	12/2014	Matsuishi	
D434,875 S	12/2000	Gavin	D719,301 S	12/2014	Parker	
6,227,208 B1	5/2001	Imbert	D720,501 S	12/2014	Pourmehr	
D446,608 S	8/2001	Goswell	D721,854 S	1/2015	Parker	
D453,859 S	2/2002	Spearman	D721,855 S	1/2015	Lavigne	
D457,687 S	5/2002	Millar	D721,856 S	1/2015	Villarreal et al.	
D465,305 S	11/2002	Thorpe et al.	D722,205 S	2/2015	Parker	
D468,868 S	1/2003	Thorpe et al.	D722,406 S	2/2015	Greenfield	
D469,223 S	1/2003	Thorpe et al.	D722,724 S	2/2015	Guor	
D475,810 S	6/2003	Lai	D722,725 S	2/2015	Jin	
D475,811 S	6/2003	Bontempo	D723,218 S	2/2015	Goswell	
D477,895 S	7/2003	Goswell	D723,219 S	2/2015	Goswell	
D478,397 S	8/2003	Bakic	D723,220 S	2/2015	Guor	
D480,837 S	10/2003	Liu	D723,742 S *	3/2015	Shteytsel .....	D28/83
D491,315 S	6/2004	Dittmer et al.	D724,785 S	3/2015	Frederick	
D493,919 S	8/2004	Beilman	D730,581 S	5/2015	Hwang	
D496,133 S	9/2004	Dittmer et al.	D736,468 S	8/2015	Goswell	
D496,134 S	9/2004	Lai	D753,882 S	4/2016	Chertoff et al.	
D503,245 S	3/2005	Vanoncini	D768,335 S	10/2016	Parker	
D505,752 S	5/2005	Martinez	D768,355 S	10/2016	Schwartz	
D511,025 S	10/2005	Martinez	D768,935 S	10/2016	Parker	
D511,224 S	11/2005	Martinez	D779,736 S	2/2017	Hansen	
D512,533 S	12/2005	Martinez	D790,134 S *	6/2017	Shteytsel .....	D28/64.3
D518,603 S	4/2006	Dittmer et al.	9,693,618 B2	7/2017	Shasteen et al.	
7,117,874 B2	10/2006	Gubernick	D806,532 S *	1/2018	Richmond .....	D9/420
D552,797 S	10/2007	Kueth et al.	2004/0040570 A1	3/2004	Shih	
D553,799 S	10/2007	Williams	2005/0011895 A1	1/2005	Lin	
D554,804 S	11/2007	Bernard	2005/0199571 A1	9/2005	Geisler et al.	
D561,944 S	2/2008	Ashiwa et al.	2005/0231835 A1	10/2005	Tokushita et al.	
D564,707 S	3/2008	Barresi	2006/0027481 A1	2/2006	Gelardi et al.	
7,410,073 B2	8/2008	Yuhara	2006/0112966 A1	6/2006	Phue	
D576,354 S	9/2008	Dominski et al.	2006/0188850 A1	8/2006	Mills	
7,451,887 B2	11/2008	Kobayashi et al.	2006/0226164 A1	10/2006	Graham	
D595,455 S	6/2009	Nagasaki	2007/0246060 A1	10/2007	Yuhara et al.	
D595,900 S	7/2009	Yamamoto	2008/0023023 A1	1/2008	Boye et al.	
D596,354 S	7/2009	Yamamoto	2008/0060672 A1	3/2008	Williams	
D597,256 S	7/2009	Liden	2009/0044826 A1	2/2009	Eng et al.	
D600,857 S	9/2009	Maddy et al.	2009/0078279 A1	3/2009	Boye et al.	
D601,757 S	10/2009	Sagel	2010/0031971 A1 *	2/2010	Ha .....	A45D 33/006 132/293
D603,564 S	11/2009	Liden				
D611,657 S	3/2010	Maddy et al.	2010/0051049 A1	3/2010	Jaworski et al.	
D621,548 S	8/2010	Chen	2010/0059081 A1	3/2010	Yoshida et al.	
D626,290 S	10/2010	Ohmoto et al.	2010/0132734 A1	6/2010	Mills	
7,810,644 B2	10/2010	Fraillon	2011/0197913 A1	8/2011	Chen	
D626,694 S	11/2010	Ha	2012/0055503 A1	3/2012	Kuo	
D629,201 S	12/2010	Demarco	2012/0136748 A1	5/2012	Shasteen et al.	
7,849,863 B2	12/2010	Corbellini	2013/0061867 A1	3/2013	Kim et al.	
D631,609 S	1/2011	Lai	2013/0133686 A1 *	5/2013	Shteytsel .....	A45D 40/24 132/314
D631,610 S *	1/2011	Barresi .....				D28/83
D632,016 S	2/2011	Lee	2015/0068550 A1	3/2015	Sasaki	
7,909,205 B2	3/2011	Moon	2017/0280851 A1	10/2017	Lee	
D636,534 S	4/2011	Lai				
D638,582 S	5/2011	Ohmoto et al.				
D642,743 S *	8/2011	Shteytsel .....				D28/83
D643,155 S	8/2011	Ohmoto et al.				
D645,617 S	9/2011	Mahdavi				

## FOREIGN PATENT DOCUMENTS

CN	303665659 S	5/1916
CN	303687187 S	6/1916

CN	303731677	S	6/1916
CN	304049456	S	2/1917
CN	301035289D		10/2009
CN	302070762	S	9/2012
CN	302114071	S	10/2012
CN	302323863	S	2/2013
CN	302851802	S	6/2014
CN	303022178	S	12/2014
CN	303370977	S	9/2015
DE	4020090034210001		7/2009
DE	4020090034210002		7/2009
DE	4020130032180001		7/2013
DE	4020130032180002		7/2013
EM	00084990-0005		12/2014
EM	00084990-0006		12/2014
EM	00084990-0007		12/2014
EM	00084990-0008		12/2014
EP	3187068		7/1917
JP	2009160534		7/2009
KR	30-0183466		7/1996
KR	30-0281211		7/2001
KR	30-0306365		8/2002
KR	30-0323399		4/2003
KR	30-0401211		12/2005
KR	30-0403923		1/2006
KR	30-0424395		9/2006
KR	30-0529731		5/2009
KR	30-07162441		11/2013
KR	30-0755705		8/2014
KR	101756976		7/2017
MX	50030		6/1917
MX	5920		3/1993
MX	5960		4/1993
MX	7357		10/1994
MX	13872		6/2002
MX	17981		5/2005
MX	2113		7/2006
MX	32431		11/2010
MX	33879		7/2011
MX	33881		7/2011
MX	33884		7/2011
MX	41956		7/2014
WO	WO 2016/047965		3/1916
WO	WO 2006/110839		10/2006
WO	WO 2010/005160		1/2010

OTHER PUBLICATIONS

www.walmart.com, "The Nudes by Maybelline"—1 page, downloaded Aug. 5, 2018.\*

www.ulta.com, "Ulta beauty Rose Gold," 1 page, downloaded Aug. 5, 2018.\*

www.ulta.com, "Bare Naturals," 1 page, downloaded Aug. 5, 2018.

www.ulta.com, "Hyper Real Glow," 1 page, downloaded Aug. 5, 2018.

\* cited by examiner

Primary Examiner — Jennifer Rivard  
(74) Attorney, Agent, or Firm — Norton Rose Fulbright  
US LLP

(57) CLAIM

The ornamental design for a cosmetic compact, as shown and described.

DESCRIPTION

FIG. 1 is a top perspective view of an embodiment of a cosmetic compact in an opened position with cosmetic pans illustrated in dashed lines;

FIG. 2 is a front view of the cosmetic compact shown in FIG. 1;

FIG. 3 is a back view of the cosmetic compact shown in FIG. 1;

FIG. 4 is a left side view of the cosmetic compact shown in FIG. 1;

FIG. 5 is a right side view of the cosmetic compact shown in FIG. 1;

FIG. 6 is a top view of the cosmetic compact shown in FIG. 1;

FIG. 7 is a bottom view of the cosmetic compact shown in FIG. 1;

FIG. 8 is a bottom perspective view of the cosmetic compact shown in FIG. 1;

FIG. 9 is a top perspective view of a second embodiment of a cosmetic compact in an opened position;

FIG. 10 is a front view of the cosmetic compact shown in FIG. 9;

FIG. 11 is a back view of the cosmetic compact shown in FIG. 9;

FIG. 12 is a left side view of the cosmetic compact shown in FIG. 9;

FIG. 13 is a right side view of the cosmetic compact shown in FIG. 9;

FIG. 14 is a top view of the cosmetic compact shown in FIG. 9;

FIG. 15 is a bottom view of the cosmetic compact shown in FIG. 9; and,

FIG. 16 is a bottom perspective view of the cosmetic compact shown in FIG. 9.

The dashed lines in FIGS. 1 and 6 are included for the purpose of illustrating portions of the cosmetic compact that form no part of the claimed design.

1 Claim, 12 Drawing Sheets



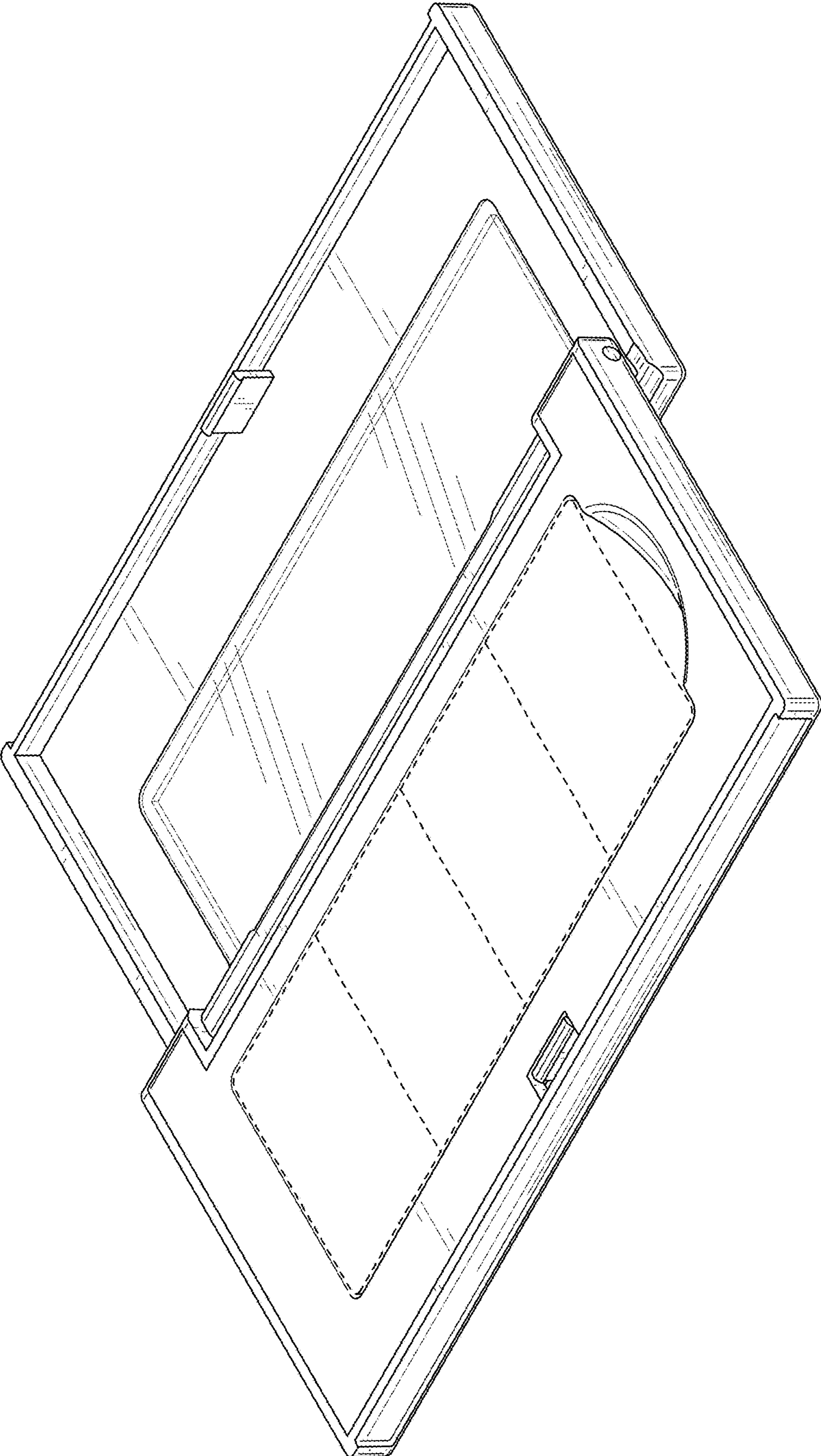


FIG. 1

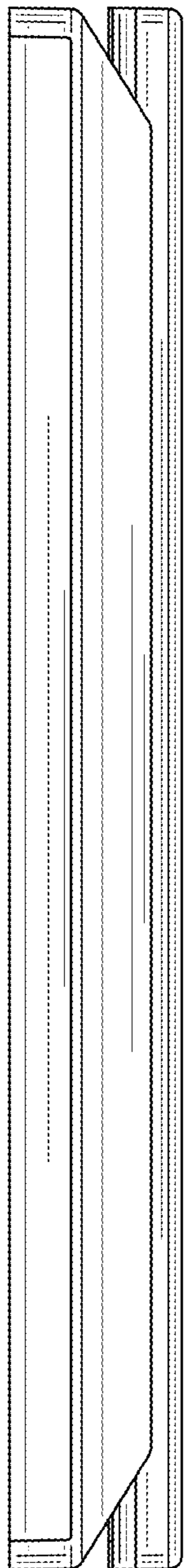


FIG. 2

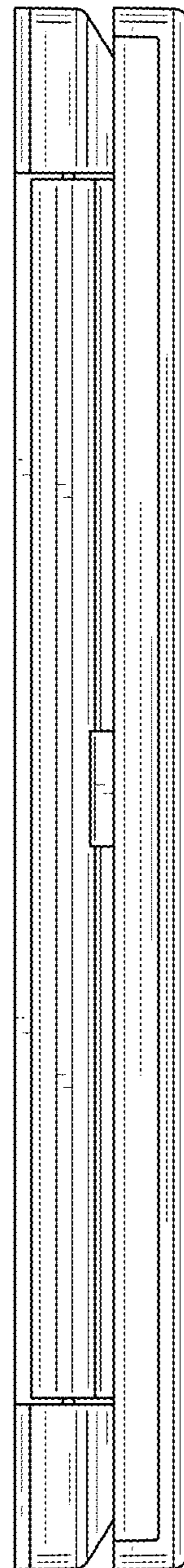


FIG. 3

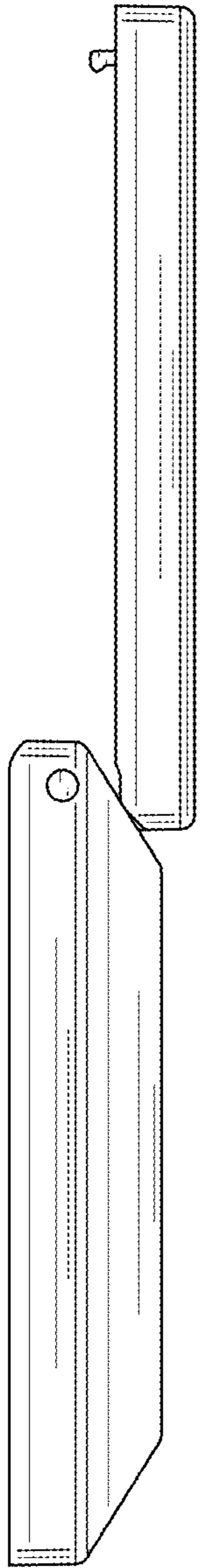


FIG. 4

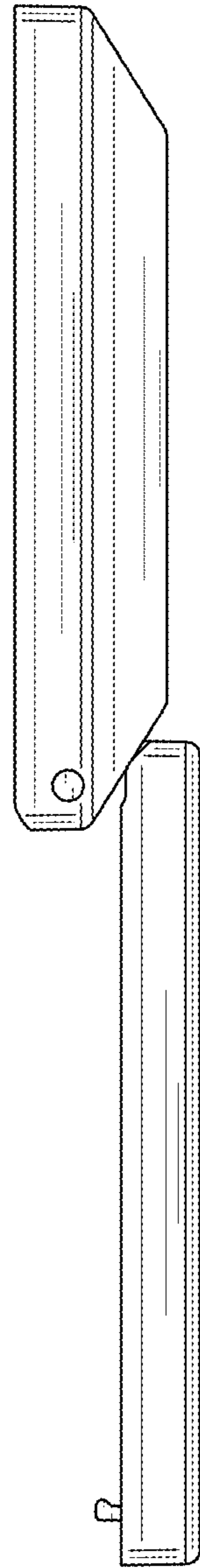


FIG. 5

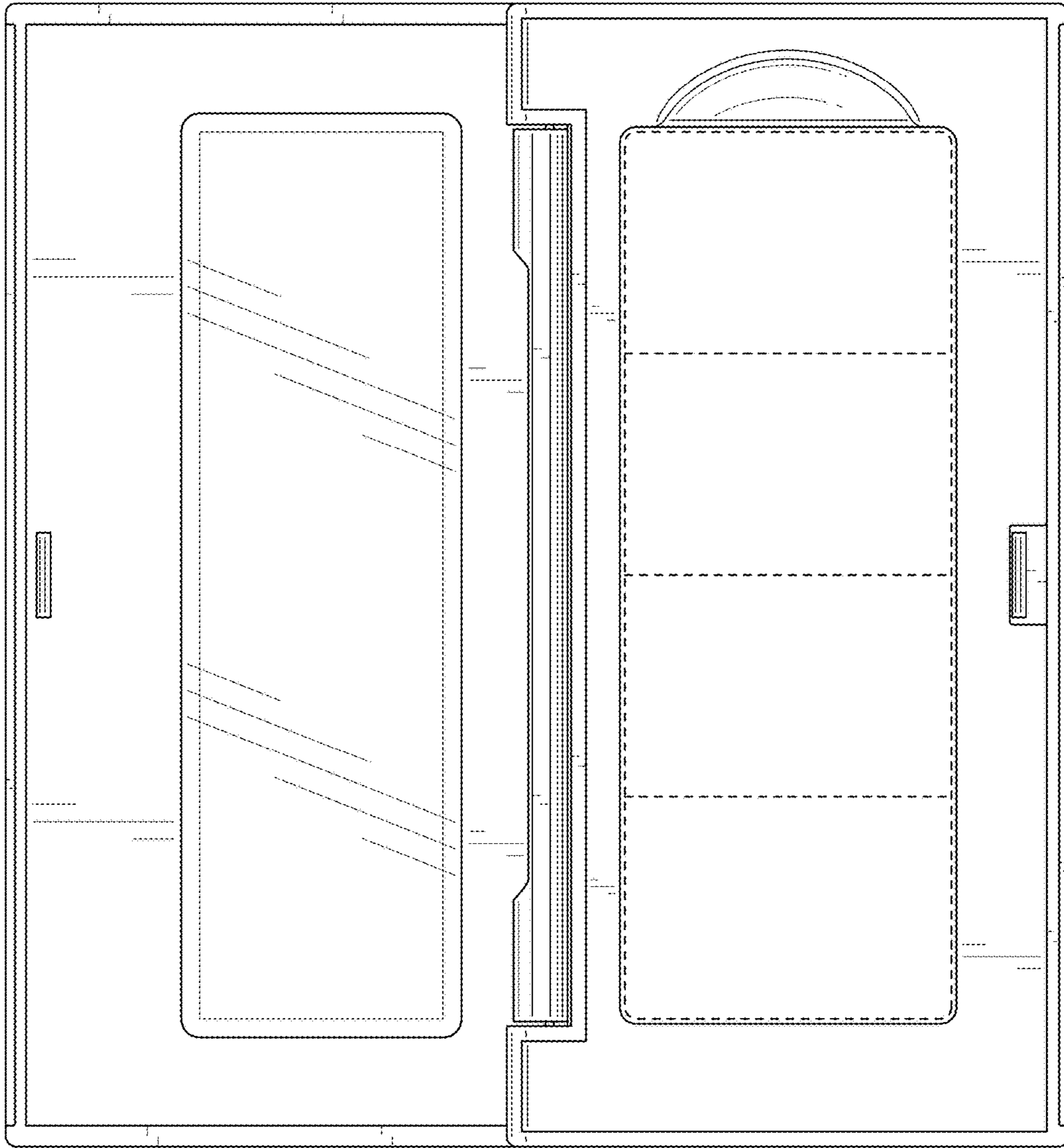


FIG. 6

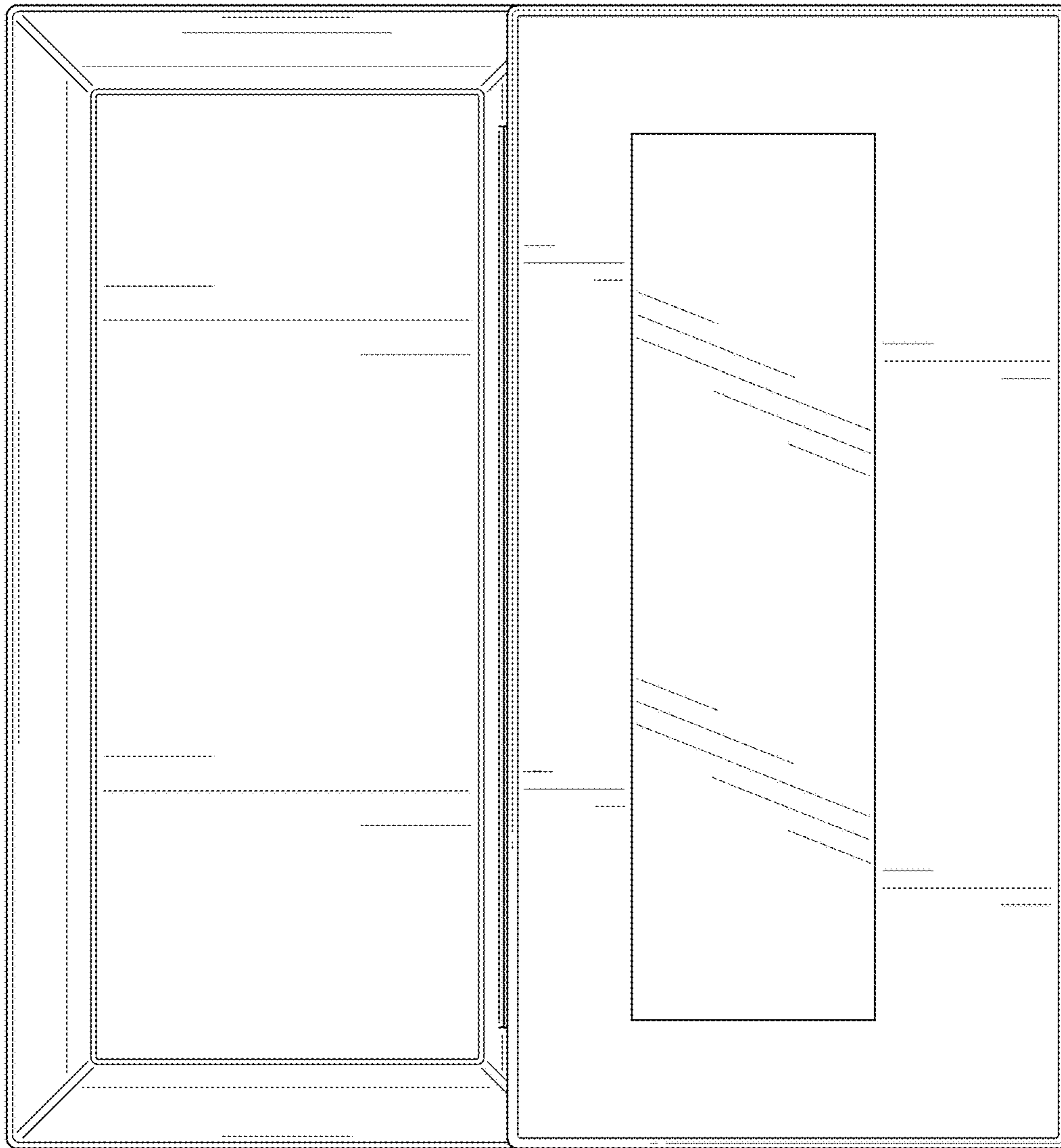


FIG. 7



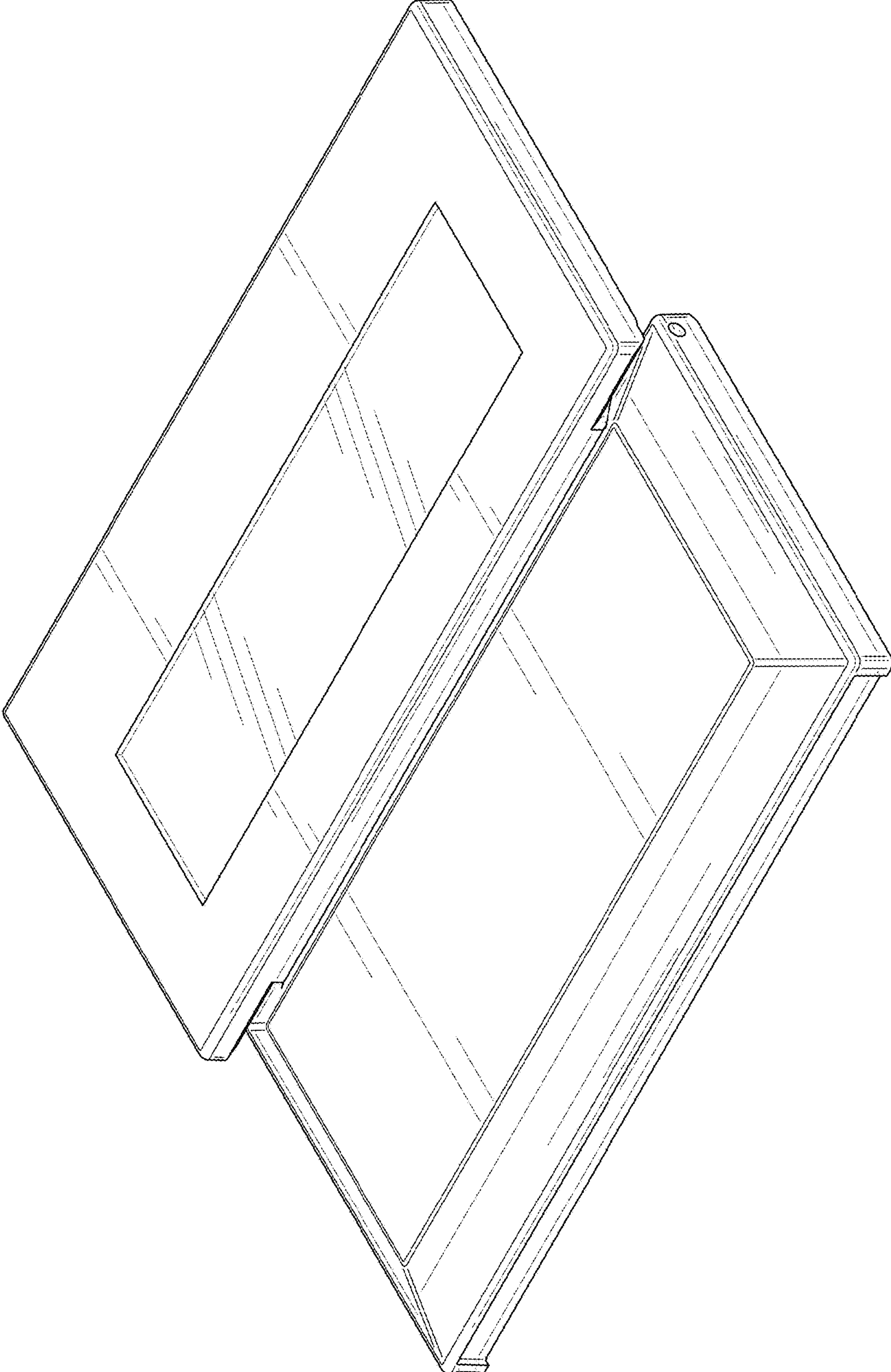


FIG. 8

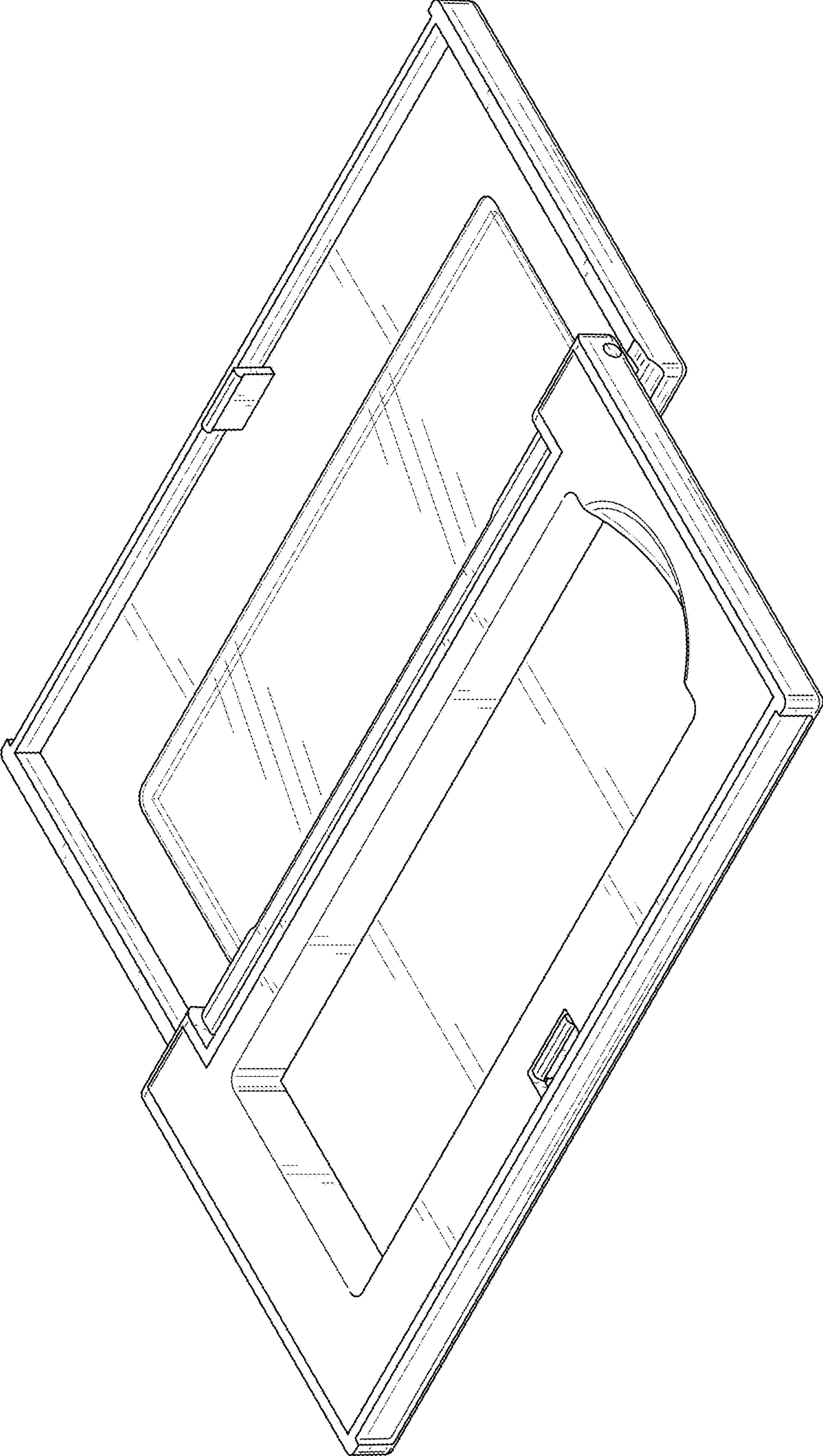


FIG. 9

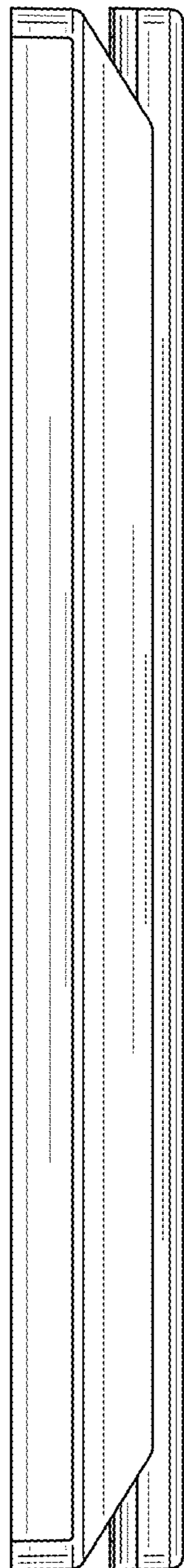


FIG. 10

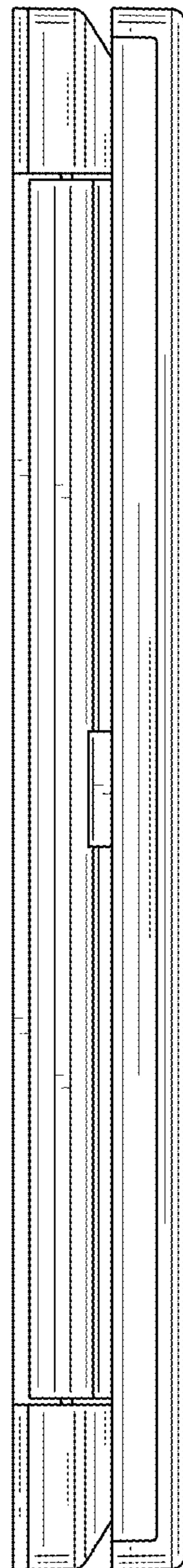


FIG. 11



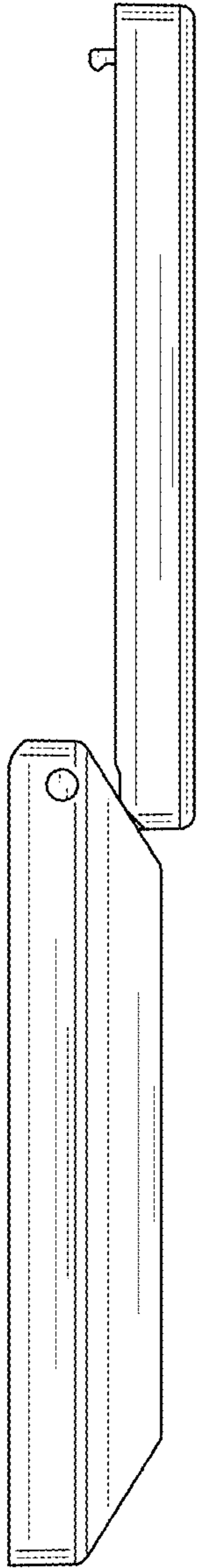


FIG. 12

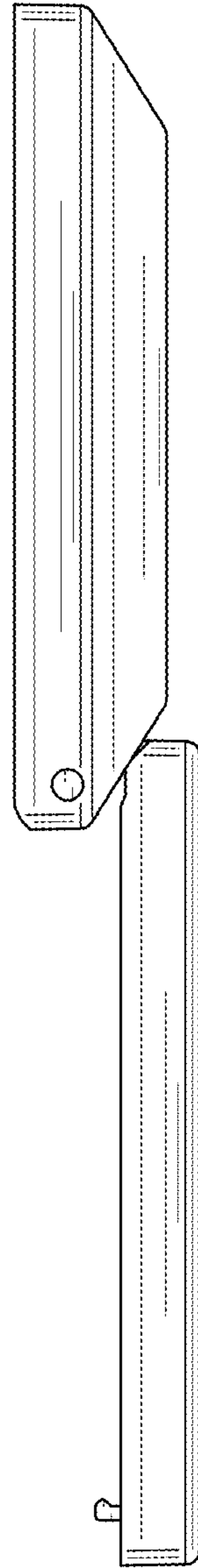


FIG. 13

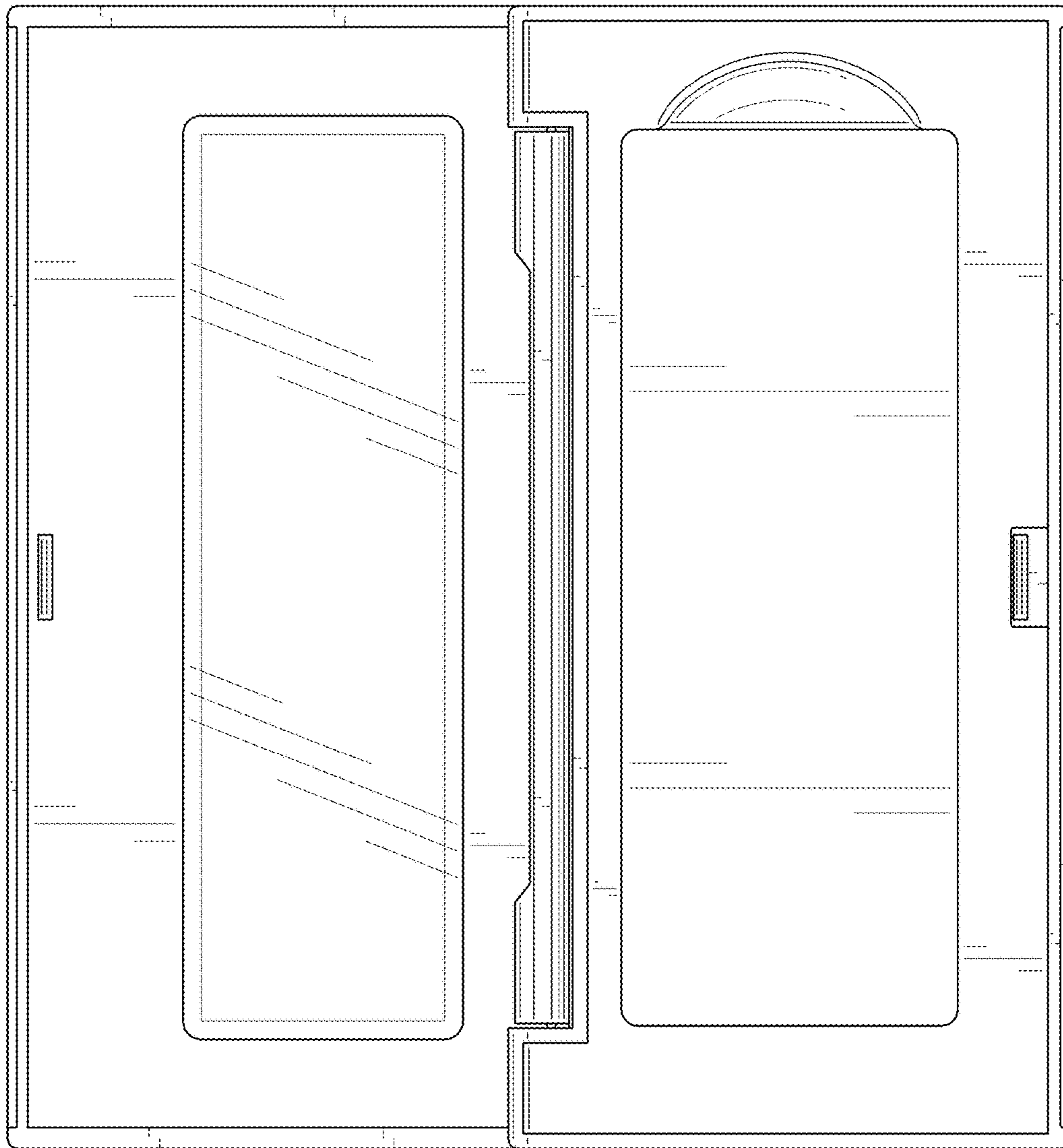


FIG. 14

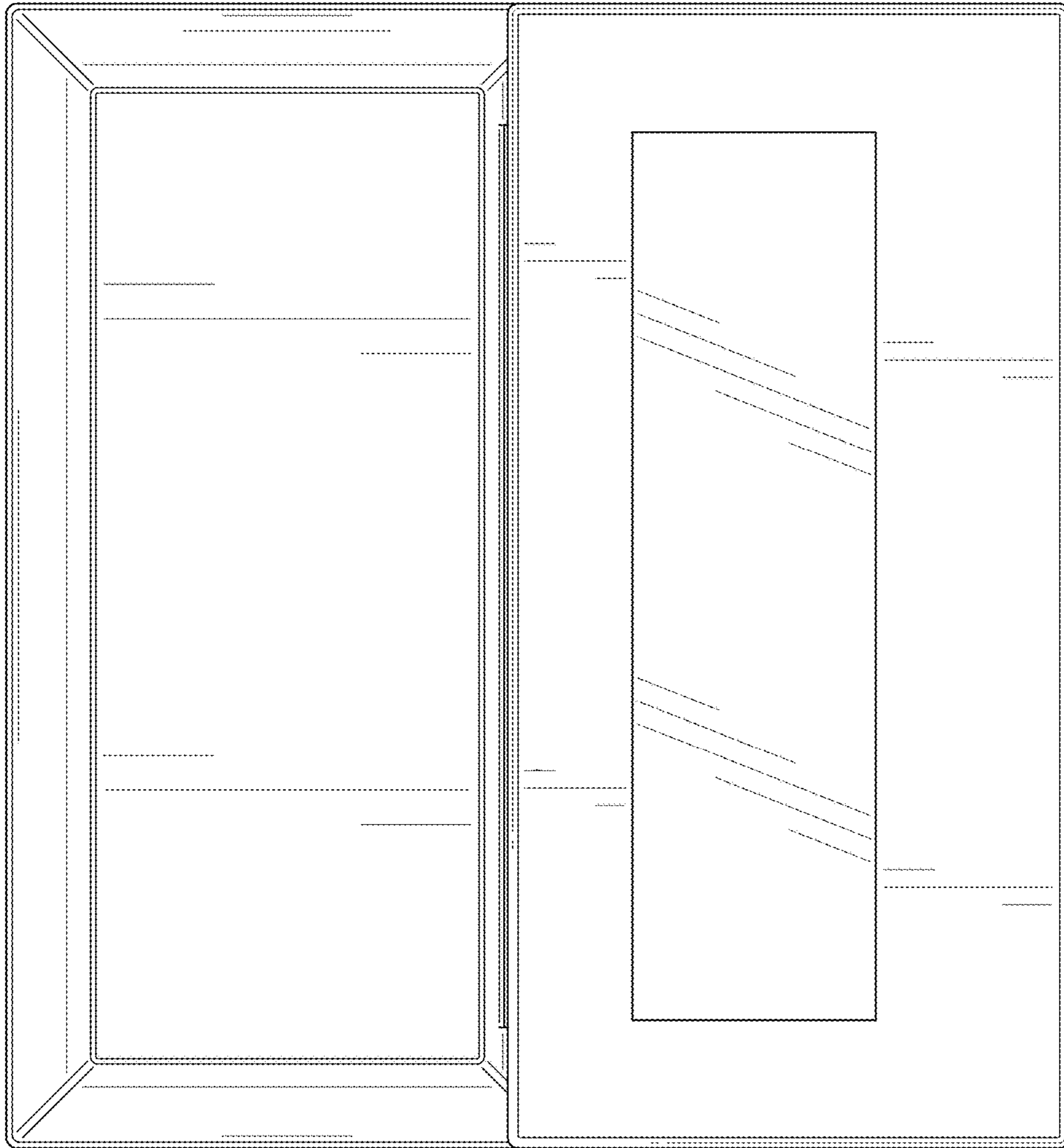


FIG. 15



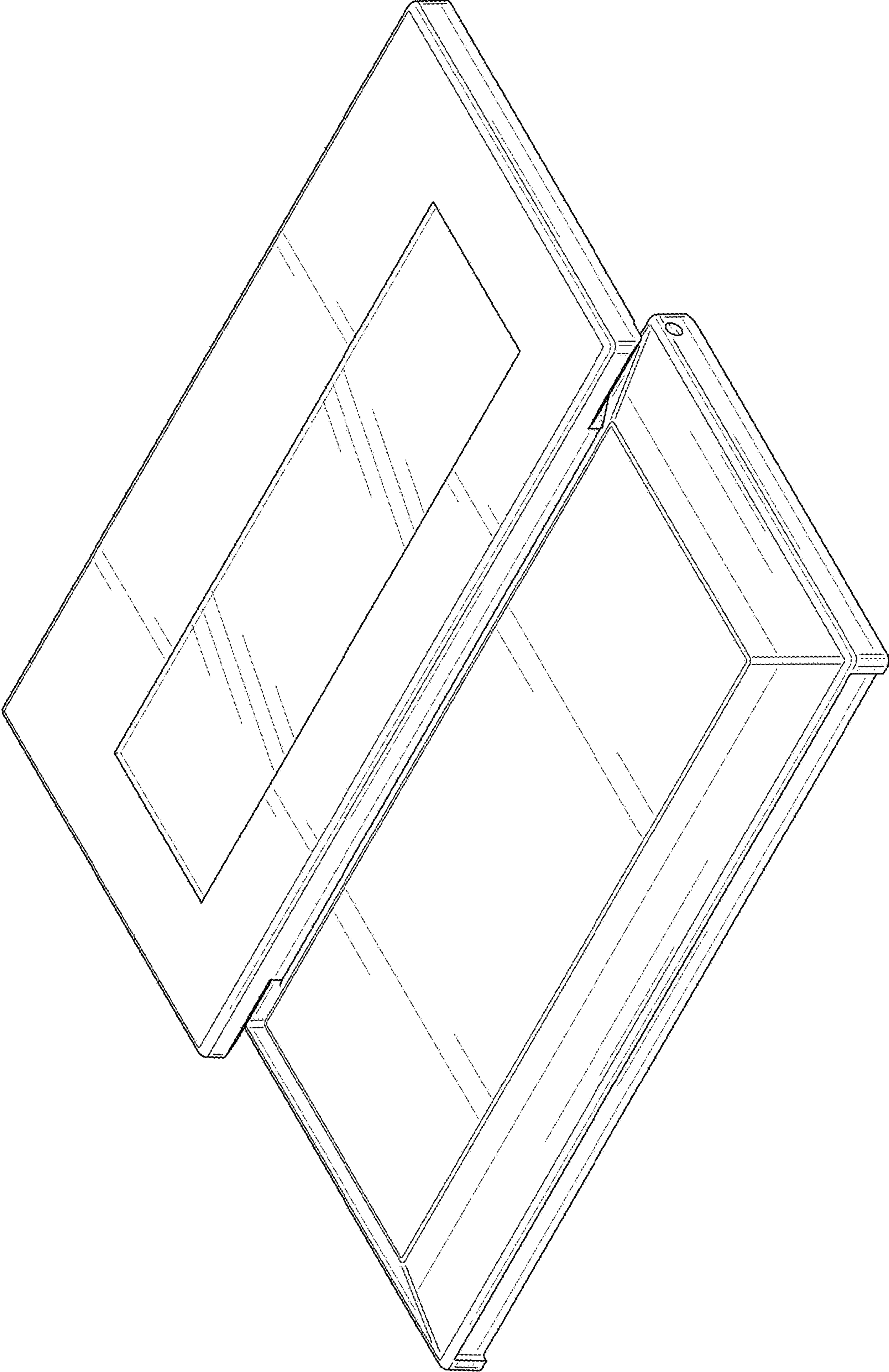


FIG. 16