



US00D863683S

(12) **United States Design Patent** (10) **Patent No.:** **US D863,683 S**  
**Dalton** (45) **Date of Patent:** **\*\* Oct. 15, 2019**

(54) **ADJUSTABLE PIN FOR A FINGERNAIL CLIPPER**

(71) Applicant: **Michael T. Dalton**, Blairsville, GA (US)

(72) Inventor: **Michael T. Dalton**, Blairsville, GA (US)

(\*\*) Term: **15 Years**

(21) Appl. No.: **29/633,996**

(22) Filed: **Jan. 17, 2018**

(51) **LOC (12) Cl.** ..... **28-03**

(52) **U.S. Cl.**  
USPC ..... **D28/60**

(58) **Field of Classification Search**  
USPC ..... D28/36-38, 57, 59, 73; D19/109;  
D24/149; D8/106, 383, 387  
CPC . A45D 29/04; A45D 2/48; A45D 2/06; A45D  
1/00; A45D 1/03; A45D 29/18; A45D  
29/02; A45D 2029/026  
See application file for complete search history.

(56) **References Cited**

**U.S. PATENT DOCUMENTS**

2,477,782	A *	8/1949	Bassett	.....	A45D 29/02 132/75.5
2,995,820	A *	8/1961	Pocoski	.....	A45D 29/023 30/28
3,555,675	A *	1/1971	Jurena	.....	A45D 29/02 30/28
4,196,514	A *	4/1980	Merriman	.....	A45D 29/023 30/124
4,550,496	A *	11/1985	Reinicke	.....	A45D 29/023 132/75.5
4,637,137	A *	1/1987	Husain	.....	A45D 29/02 30/27
5,357,676	A *	10/1994	Bannett	.....	A45D 29/02 30/26

(Continued)

**OTHER PUBLICATIONS**

Dalton Clippers Part, Mike Dalton, uploaded on Dec. 14, 2018 on youtube.com, retrieved on Jan. 2, 2019, retrieved from the Internet URL: <https://www.youtube.com/watch?v=nfODrKYvt60>.\*

(Continued)

*Primary Examiner* — Jennifer Rivard

*Assistant Examiner* — Alison M Ofstun

(74) *Attorney, Agent, or Firm* — Clifford H. Kraft

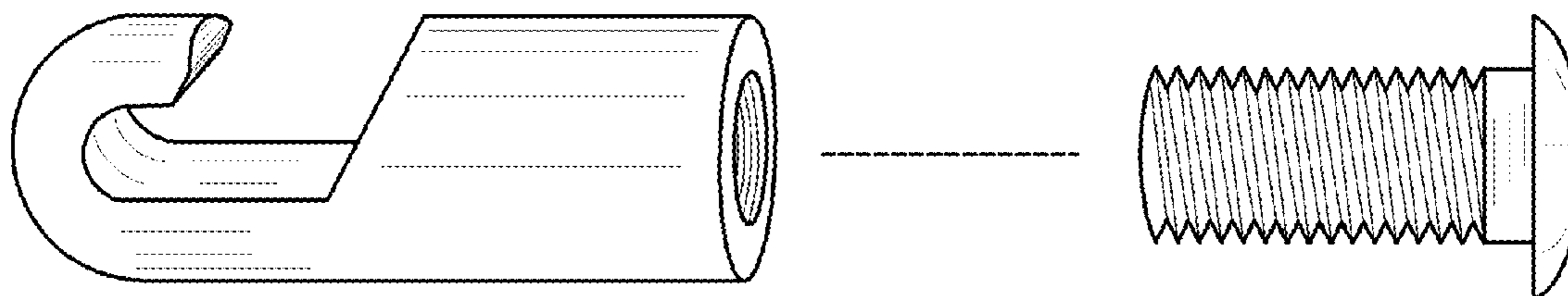
(57) **CLAIM**

The ornamental design for an adjustable pin for a fingernail clipper, as shown and described.

**DESCRIPTION**

FIG. 1 is an exploded perspective view of an adjustable pin for a fingernail clipper, showing my new design; FIG. 2 is a left side view of the receptacle part of an adjustable pin for a fingernail clipper, shown separately to show aspects of the design that are not visible when combined. The right side view is a mirror image thereof; FIG. 3 is a top view thereof; FIG. 4 is a bottom view thereof; FIG. 5 is a back view thereof; FIG. 6 is a front view thereof; FIG. 7 is a left side view of the screw part of an adjustable pin for a fingernail clipper, shown separately to show aspects of the design that are not visible when combined. The right side, top and bottom views are a mirror image thereof; FIG. 8 is a front view thereof; FIG. 9 is a back view thereof; FIG. 10 is a side view of the receptacle part of the adjustable pin showing the location of the section 11-11; and, FIG. 11 is a sectional view thereof of the section marked in FIG. 10.

**1 Claim, 5 Drawing Sheets**



(56)

**References Cited**

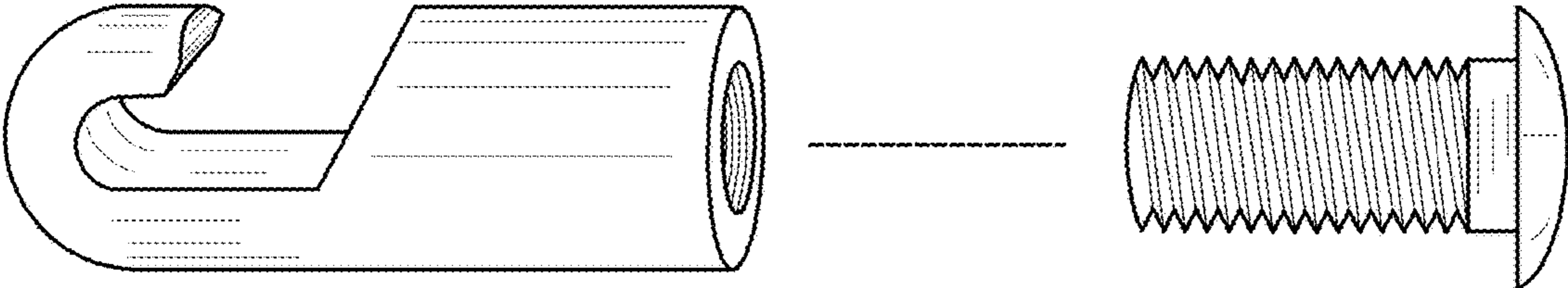
U.S. PATENT DOCUMENTS

5,384,960 A \* 1/1995 Tottenham ..... A45D 29/02  
 132/75.5  
 5,490,327 A \* 2/1996 Ohori ..... A45D 29/02  
 132/75.5  
 5,870,826 A \* 2/1999 Lewan ..... A45D 29/02  
 30/28  
 D422,202 S \* 4/2000 Maki ..... D8/387  
 6,438,845 B1 \* 8/2002 Jung ..... A45D 29/02  
 30/28  
 7,020,964 B2 \* 4/2006 Han ..... A45D 29/02  
 132/75.5  
 D814,283 S \* 4/2018 Shinbutsu ..... D8/387  
 D821,187 S \* 6/2018 Baiz ..... D8/387  
 10,076,173 B1 \* 9/2018 Kaidi ..... A45D 29/02  
 2007/0266568 A1 \* 11/2007 Lin ..... A01G 3/02  
 30/134  
 2016/0199986 A1 \* 7/2016 Tillinghast, III ..... B26B 17/006  
 30/176  
 2018/0153563 A1 \* 6/2018 Kuun ..... A61C 1/084

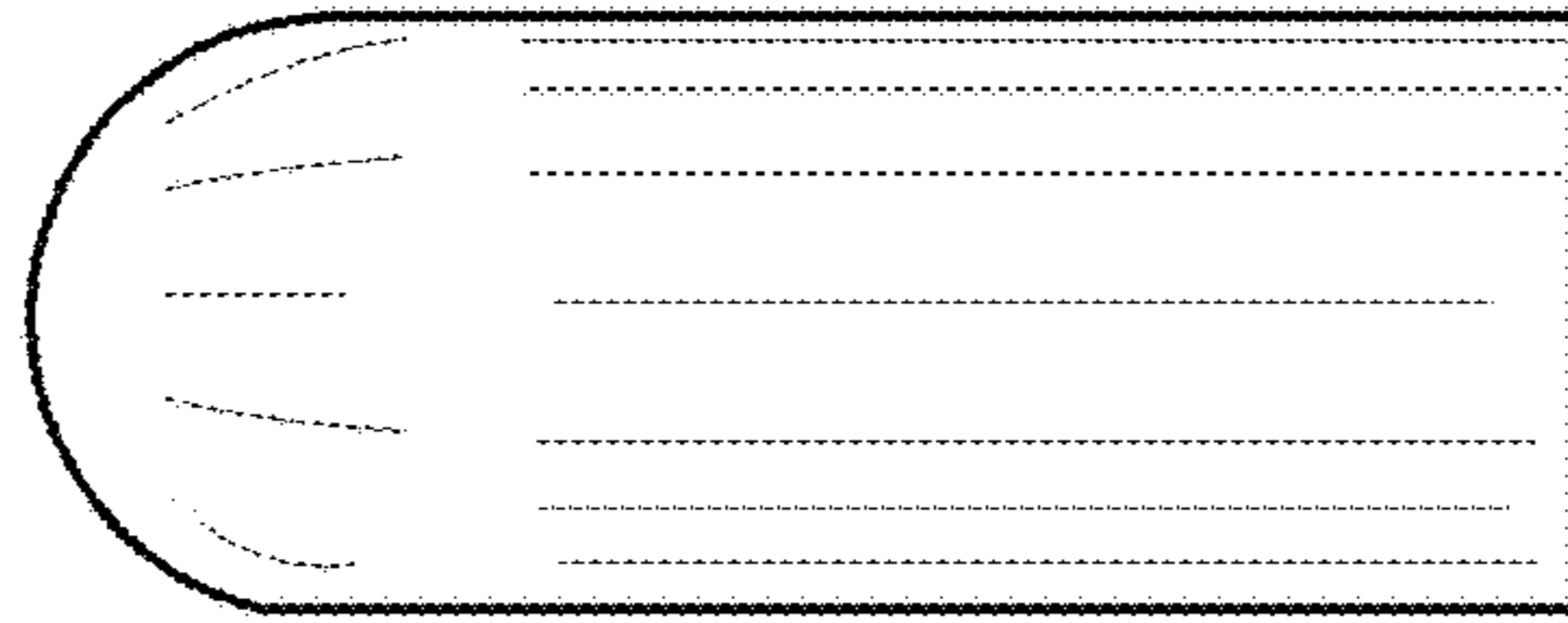
OTHER PUBLICATIONS

Nail Clipper Parts, Custom Sharpening, Mehaz Nail Clipper Tutorial, published Aug. 22, 2013, retrieved on Jan. 3, 2019, retrieved from the Internet URL: <http://customsharpening.com/mehaz-nail-clipper-tutorial/nail-clipper-parts/>.\*

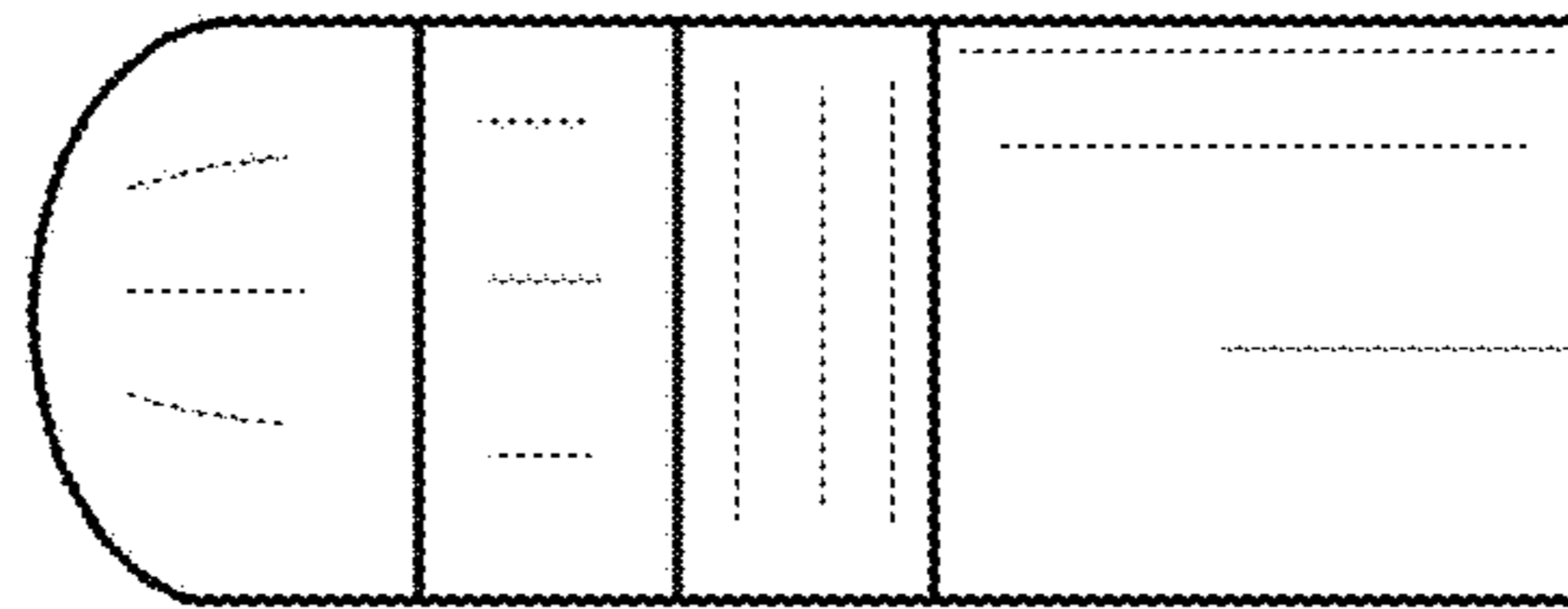
\* cited by examiner



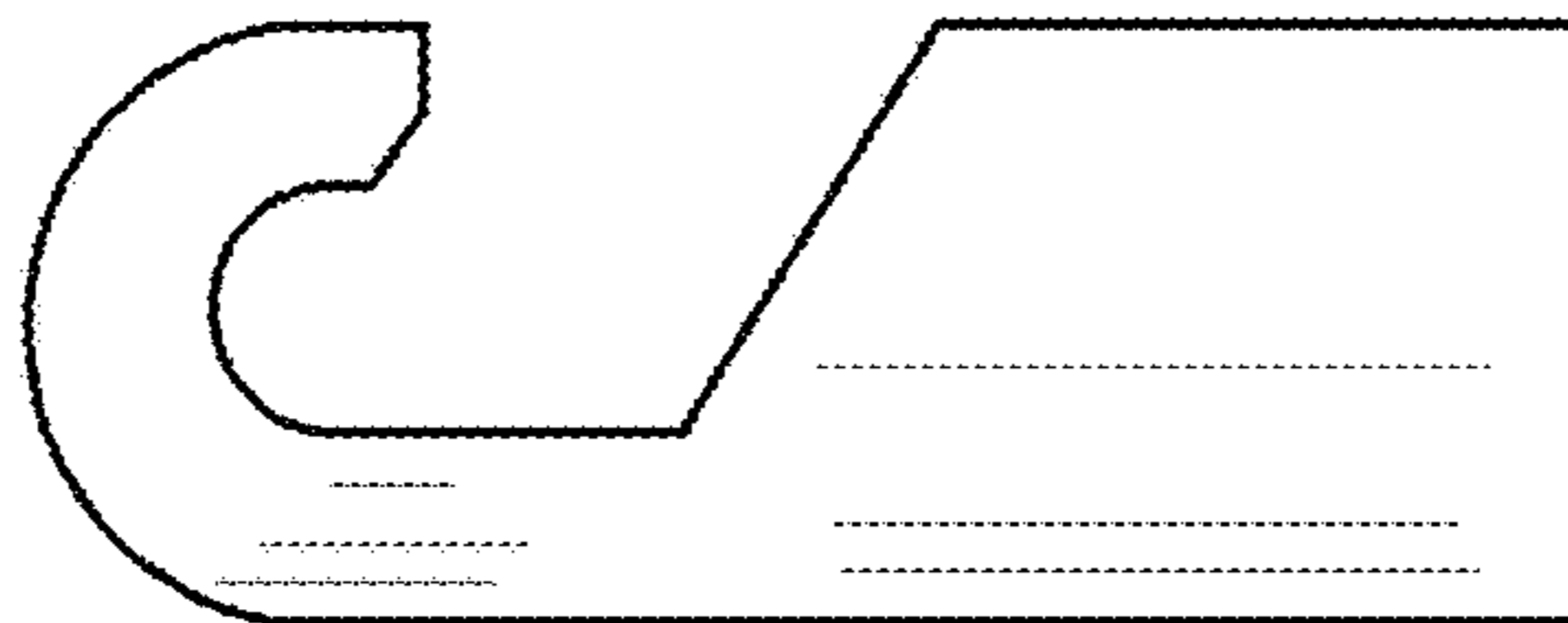
**Fig. 1**



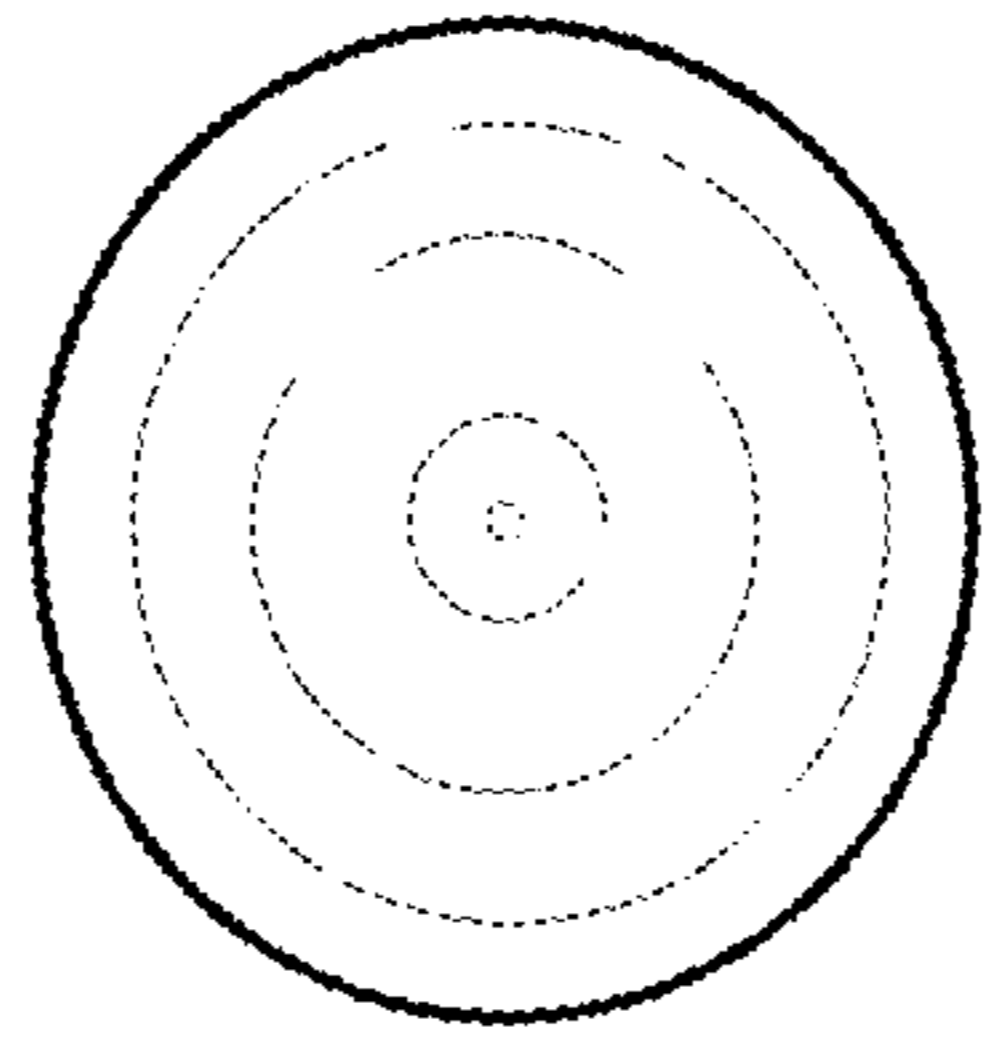
**Fig. 4**



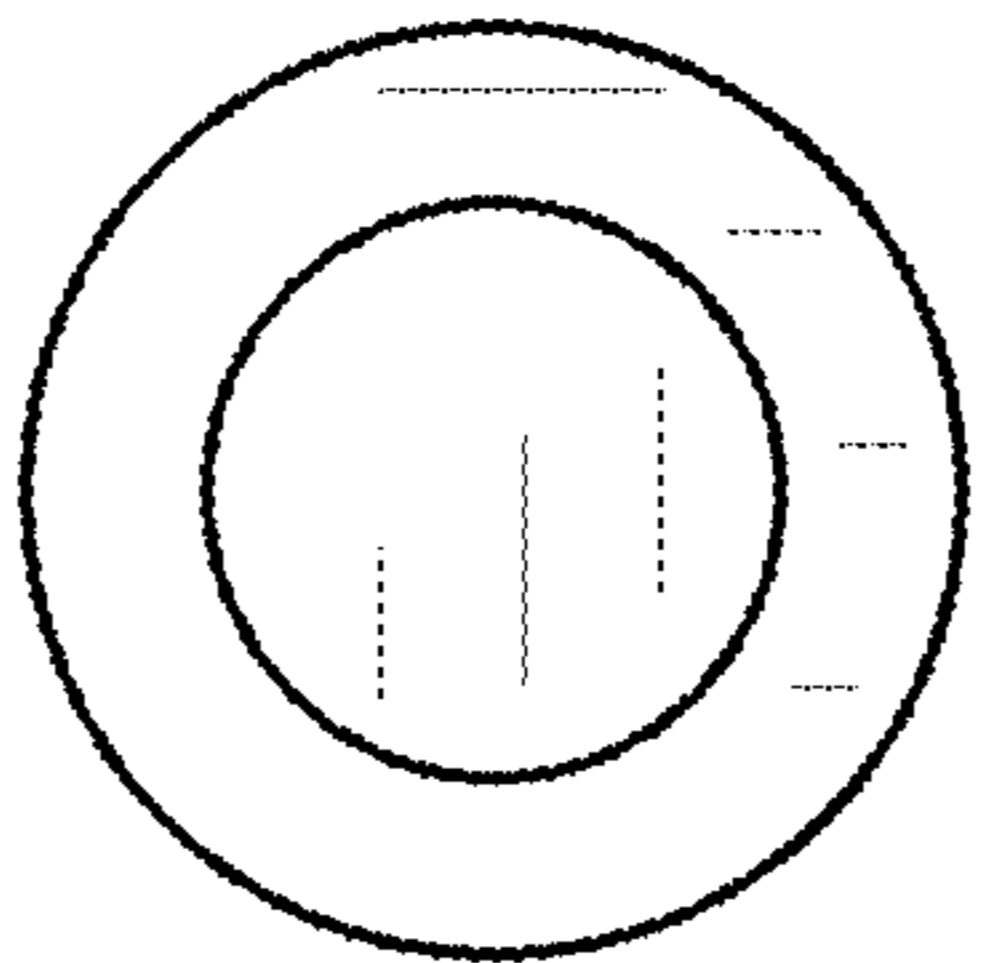
**Fig. 3**



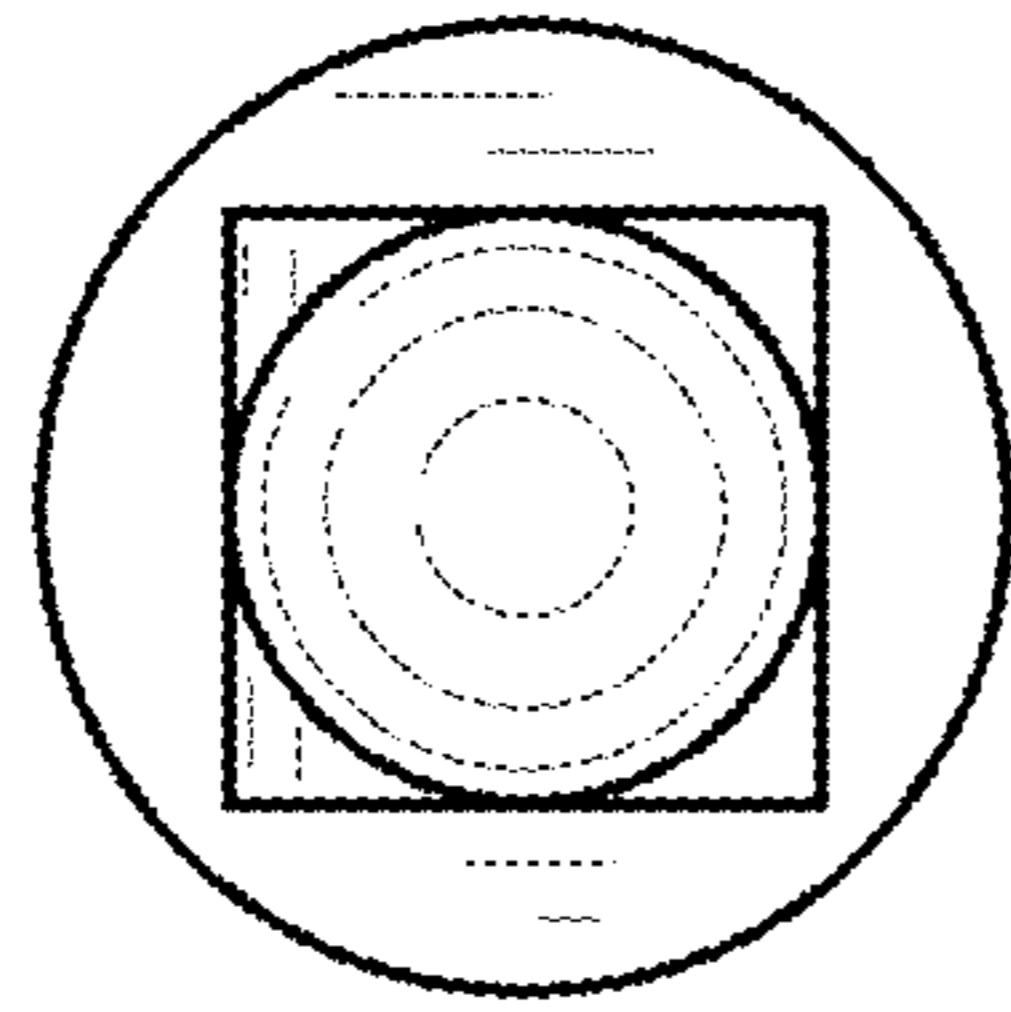
**Fig. 2**



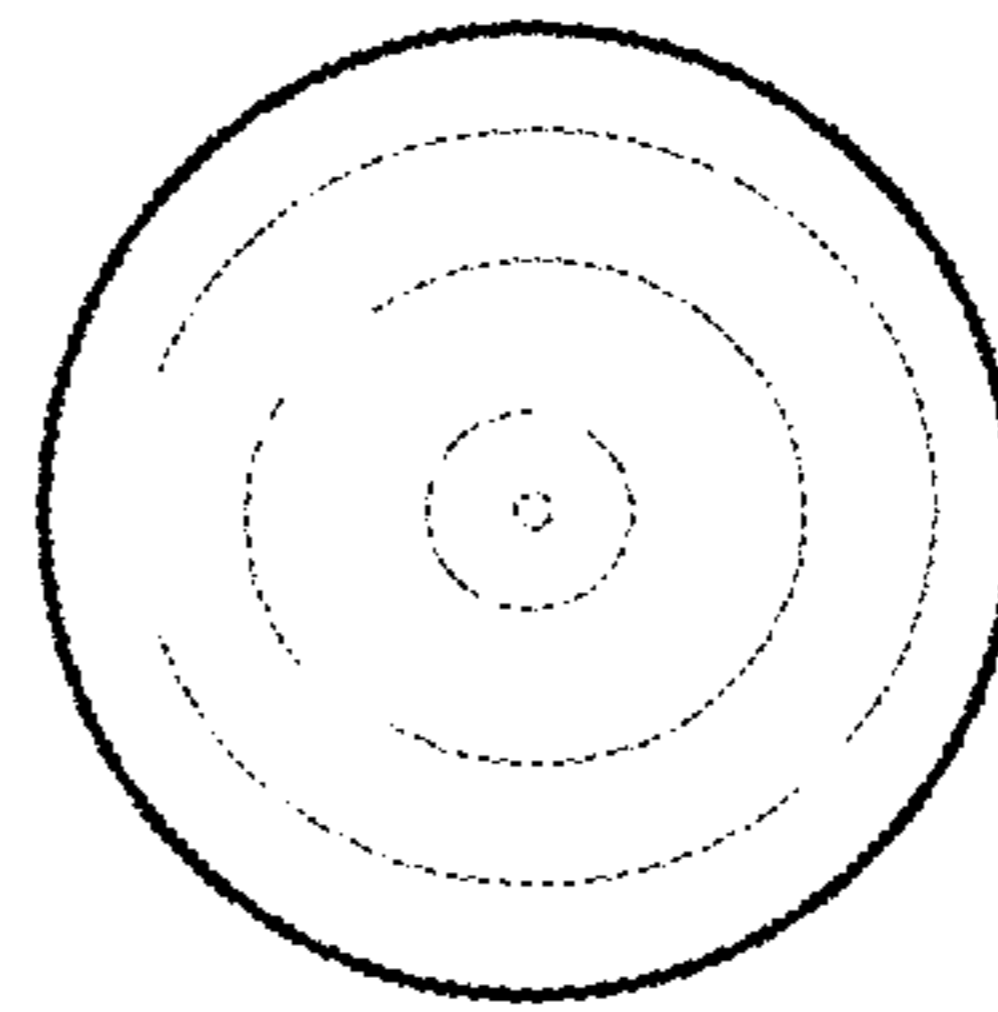
**Fig. 6**



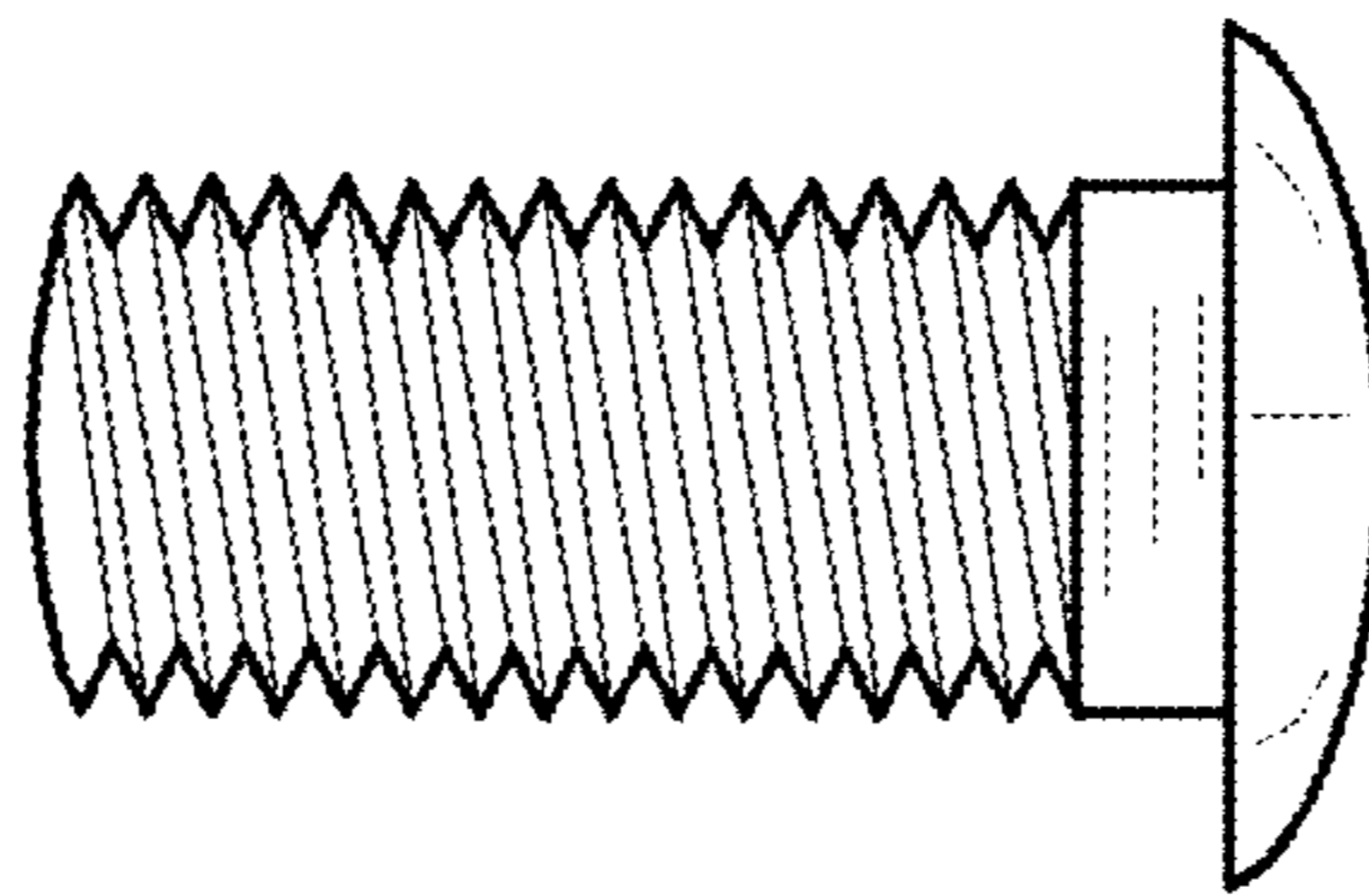
**Fig. 5**



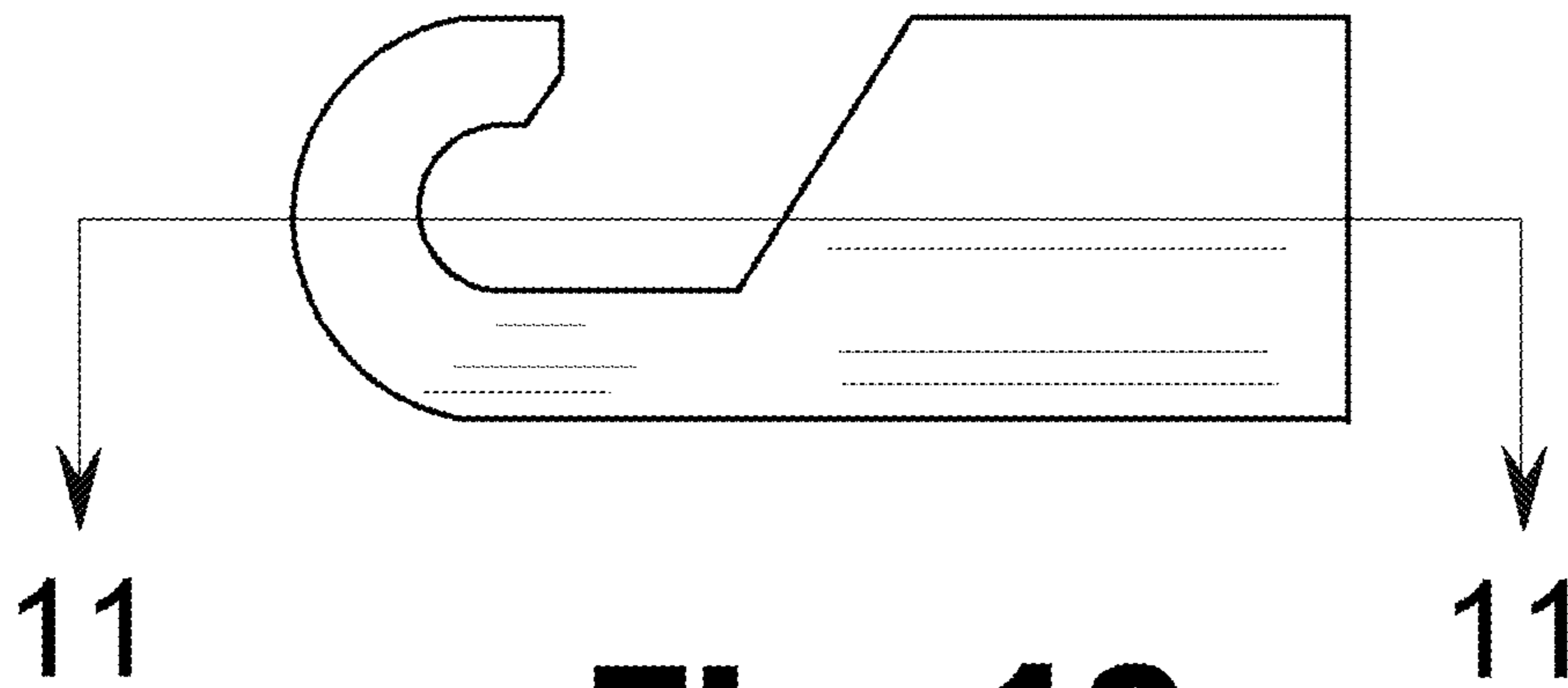
**Fig. 8**



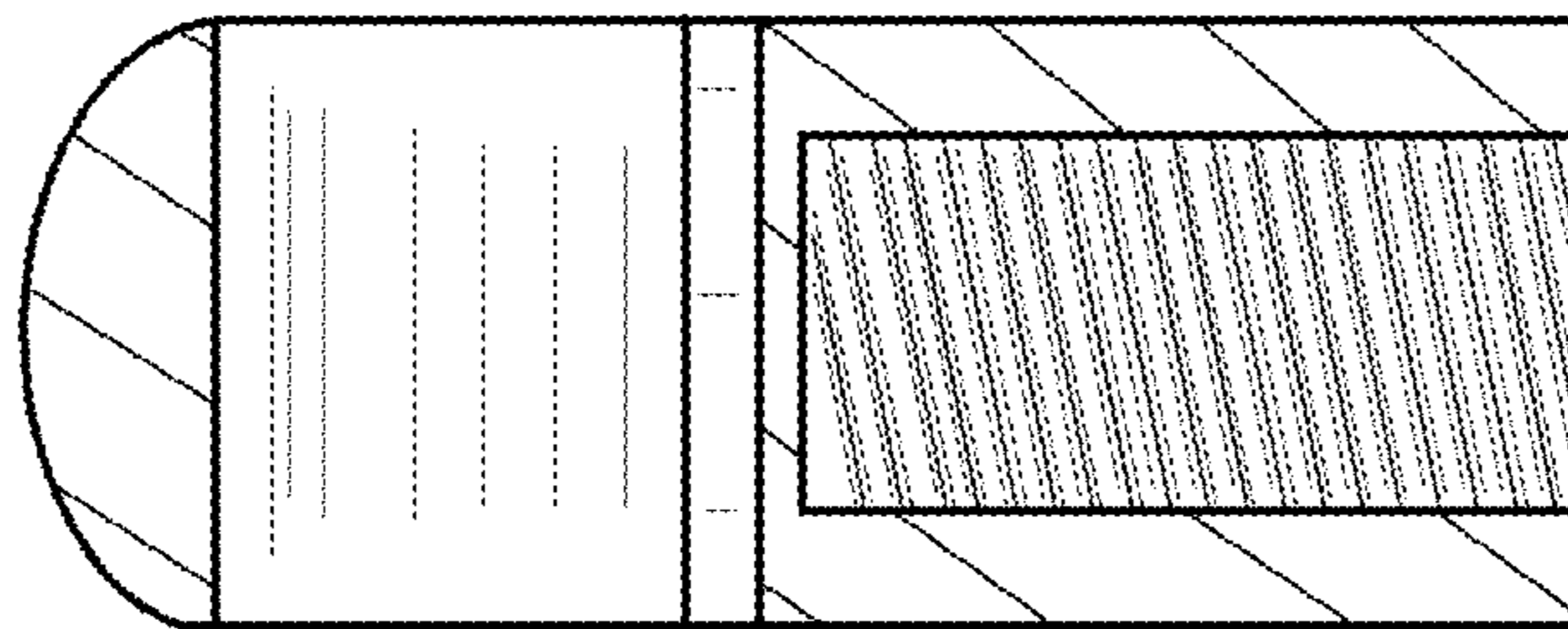
**Fig. 9**



**Fig. 7**



**Fig. 10**



**Fig. 11**