



US00D863679S

(12) **United States Design Patent** (10) **Patent No.:** **US D863,679 S**
Lotti (45) **Date of Patent:** **** Oct. 15, 2019**

(54) **FALSE EYELASH APPLICATOR**

FOREIGN PATENT DOCUMENTS

(71) Applicant: **LASHIFY, INC.**, Los Angeles, CA (US)

GB 1021063 2/1966
GS 1021063 2/1966

(72) Inventor: **Sahara Lotti**, Los Angeles, CA (US)

OTHER PUBLICATIONS

(73) Assignee: **Lashify, Inc.**, Los Angeles, CA (US)

Plastic, False Eyelash Applicator, Multy colour, by Korea, copyright 2013, 3 pages.

(**) Term: **15 Years**

(Continued)

(21) Appl. No.: **29/667,367**

Primary Examiner — Susan Bennett Hattan

Assistant Examiner — Rebecca Tsehaye

(22) Filed: **Oct. 19, 2018**

(74) *Attorney, Agent, or Firm* — Dentons US LLP

(51) **LOC (12) Cl.** **28-02**

(57) **CLAIM**

An ornamental design for a false eyelash applicator, as shown and described.

(52) **U.S. Cl.**

USPC **D28/7**

DESCRIPTION

(58) **Field of Classification Search**

USPC D28/7, 10, 36, 55, 57, 44.2; D8/52, D8/56-57

CPC A41G 5/02; A41G 5/00; A41G 5/0086; A61B 17/083; A61B 17/08

See application file for complete search history.

FIG. 1 is an illustration of a front perspective view of a false eyelash applicator;
FIG. 2 is a front elevation view thereof;
FIG. 3 is a rear elevation view thereof;
FIG. 4 is a right-side elevation view thereof;
FIG. 5 is a left-side elevation view thereof;
FIG. 6 is a top view thereof;
FIG. 7 is a bottom view thereof;
FIG. 8 is a bottom perspective view thereof;
FIG. 9 is an illustration of a front perspective view of another embodiment of a false eyelash applicator;
FIG. 10 is a front elevation view thereof;
FIG. 11 is a rear elevation view thereof;
FIG. 12 is a right-side elevation view thereof;
FIG. 13 is a left-side elevation view thereof;
FIG. 14 is a top view thereof;
FIG. 15 is a bottom view thereof; and,
FIG. 16 is a bottom perspective view thereof.

The broken lines shown in the drawings illustrate portions of the false eyelash applicator that form no part of the claimed design.

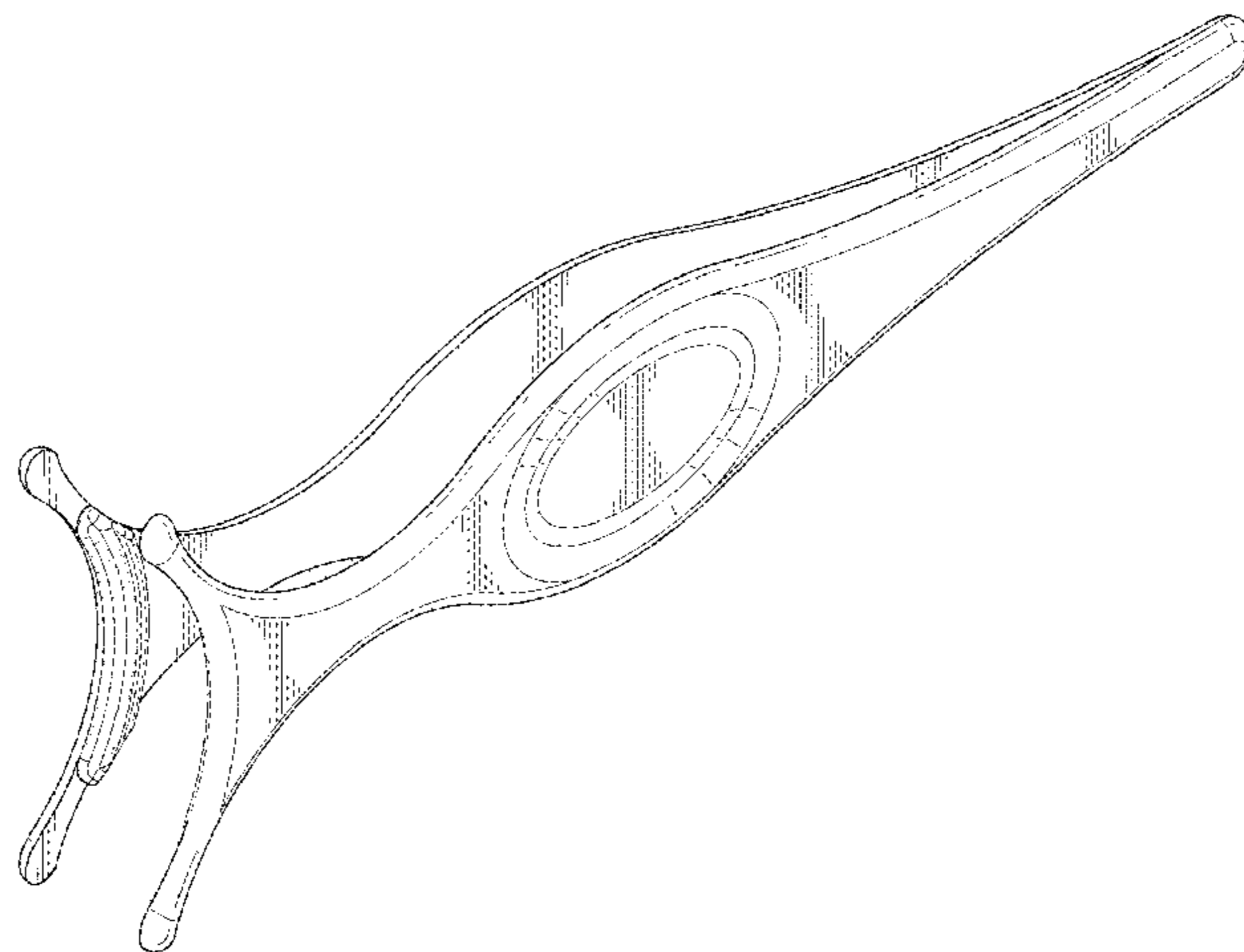
(56) **References Cited**

U.S. PATENT DOCUMENTS

2,323,595	A	7/1943	Hanisch	
D154,227	S	6/1949	Alvizua	
2,618,279	A	11/1952	Reiffert	
3,557,653	A	1/1971	Kim	
3,625,229	A	12/1971	Silson	
D301,371	S	5/1989	Kaprelian	
D358,312	S	* 5/1995	Keenan	D8/52
D387,483	S	12/1997	Sloan	
6,174,321	B1	* 1/2001	Webb	A61B 17/30 606/205
D454,981	S	* 3/2002	Lamagna	D28/55
D456,077	S	* 4/2002	Etter	D24/143
D472,675	S	* 4/2003	Lamagna	D28/55
D479,365	S	* 9/2003	Todeschini	D28/55

(Continued)

1 Claim, 10 Drawing Sheets



(56)

References Cited

U.S. PATENT DOCUMENTS

D483,909 S * 12/2003 Todeschini D28/55
 D495,834 S * 9/2004 Todeschini D28/55
 D506,573 S 6/2005 de Grandcourt
 D507,678 S * 7/2005 Lamagna D28/55
 D516,247 S * 2/2006 Merheje D28/55
 D537,208 S * 2/2007 Shaljian D28/55
 D543,815 S 6/2007 Metcalf
 D546,002 S * 7/2007 Bowen D24/143
 D561,942 S * 2/2008 Khubani D28/55
 D569,041 S * 5/2008 Azoulay D28/55
 D569,553 S * 5/2008 Cho D28/55
 D573,308 S 7/2008 Wittke-Kothe
 D575,904 S * 8/2008 Iqbal D24/143
 D584,449 S * 1/2009 Shaljian D24/143
 D588,746 S 3/2009 Ross
 D592,923 S * 5/2009 Konopka D8/52
 D604,579 S 11/2009 Robinson et al.
 7,748,391 B2 7/2010 Vance
 D627,103 S 11/2010 Cho
 D657,496 S * 4/2012 Flatt D28/55
 D714,494 S * 9/2014 Vasquez D28/55
 D716,498 S 10/2014 Wolff
 D753,881 S 4/2016 Hussain et al.
 9,314,085 B2 4/2016 Hatch
 D762,433 S 8/2016 Yang
 D764,688 S 8/2016 Robinson et al.
 D775,270 S * 12/2016 Moffat D17/20
 D783,899 S 4/2017 Roh
 D783,901 S * 4/2017 Kim D24/143
 D784,615 S 4/2017 Choi
 D810,534 S * 2/2018 Liu D8/52
 D817,132 S 5/2018 Yang
 D823,538 S 7/2018 Ruggaber
 2002/0094507 A1 * 7/2002 Feuer A61B 17/30
 433/162
 2005/0166939 A1 8/2005 Stroud
 2009/0028625 A1 1/2009 Bonneyrat

2011/0121592 A1 5/2011 Cho
 2011/0278869 A1 * 11/2011 Lee B25B 9/02
 294/2
 2018/0160755 A1 6/2018 Hansen et al.

OTHER PUBLICATIONS

Bourjois 2 in 1 Tweezers and Faux & Fabulous Eyelashes by Peonies and lilies, 2 pages.
 Ardell Dual Lash Applicator, https://www.madamemadeline.com/online_shoppe/proddetail.asp?prod=mm62059, Oct. 18, 2018, 3 pages.
 Ocamo False Eyelashes Curler Stainless Steel Extension Eye Lash Applicator Remover Tweezers Clip Makeup Tools, Oct. 10, 2018, <https://www.amazon.kin/Ocamo-Eyelashes-Stainless-Extension-Applicator/dp/B07FT5XW8C?tag=googinhydr18418-21&tag=googinkenshoo-21&ascu...>, 3 pages.
 Focallure, <https://shopfocallure.com/collections/eyelashes/products/eyelash-tweezer-by-focallure>, 1 page.
 Amazon, Ocamo False Eyelashes Curler Stainless Steel Extension Eye Lash Applicator Remover Tweezers Clip Makeup Tools, <https://www.amazon.kin/Ocamo-Eyelashes-Stainless-Extension-Applicator/dp/B07FT5XW8C?tag=googinhydr18418-21&tag=googinkenshoo-21&ascu...>, downloaded from internet Oct. 10, 2018 (3 pages).
 Born Pretty, False Eyelashes Thick Natural Simulation Recyclable Curly False Eyelash Makeup Cosmetic Tools, <http://www.bornprettystore.com/false-eyelashes-thick-natural-simulation-recyclable-curly-false-eyelash-makeup-cosmetic-tools-p-44675.html>, downloaded from internet Oct. 18, 2018 (6 pages).
 Buy Korea, Plastic, False Eyelash Applicator, Multy colour, <http://www.buykorea.or.kr/product-details/Plastic-False-Eyelash-Applicator-Multy-colour--3106709.html>, downloaded from internet Feb. 14, 2019 (3 pages).
 Focallure, <https://shopfocallure.com/collections/eyelashes/products/eyelash-tweezer-by-focallure>, downloaded from internet Feb. 14, 2019 (1 page).
 Madame Madeline Lashes, Ardell Dual Lash Applicator, https://www.madamemadeline.com/online_shoppe/proddetail.asp?prod=mm62059, downloaded from internet Oct. 18, 201 (3 pages).
 Peonies and Lilies, Bourjois 2 in 1 Tweezers and Faux & Fabulous Eyelashes, posted Oct. 24, 2012 (2 pages).

* cited by examiner

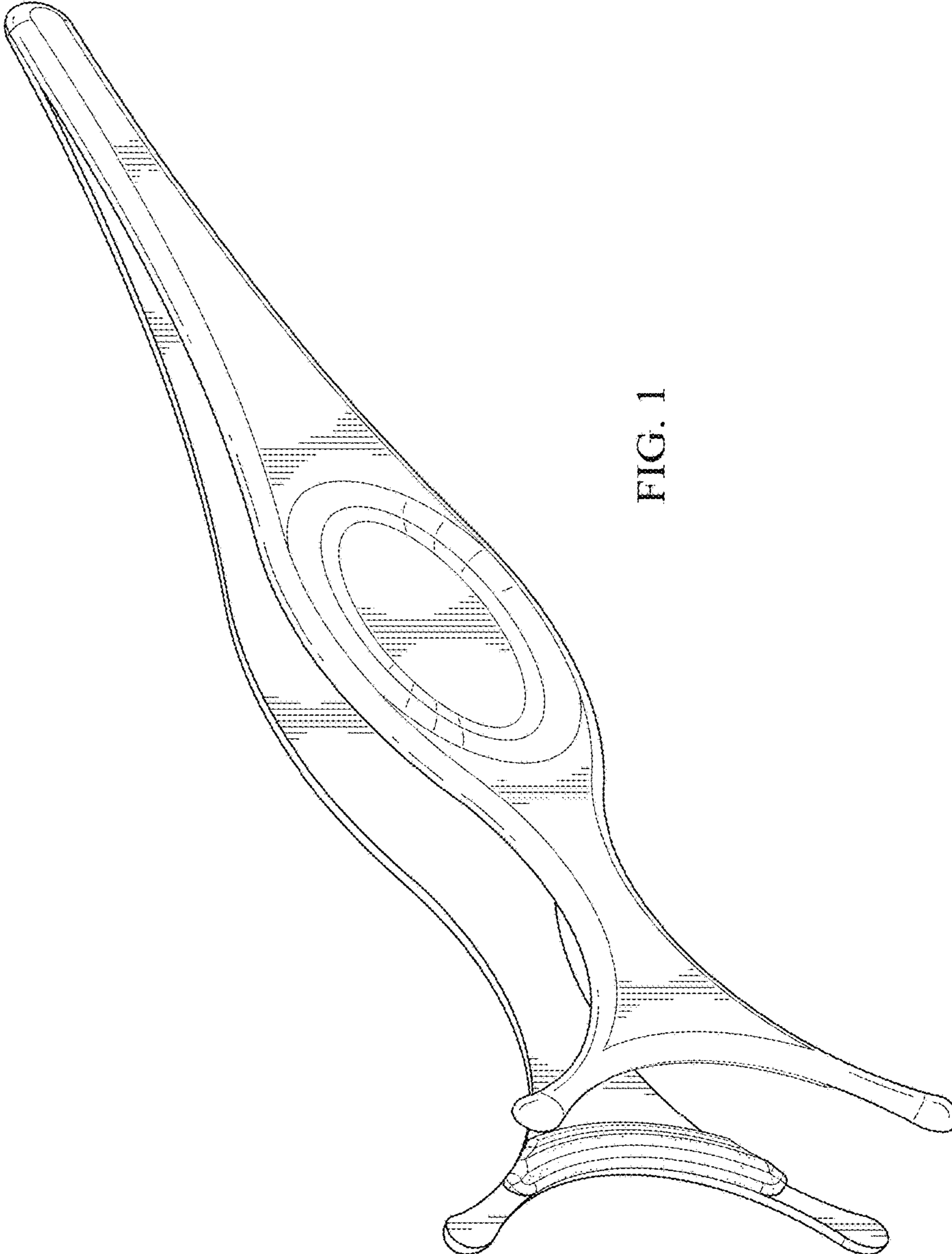


FIG. 1

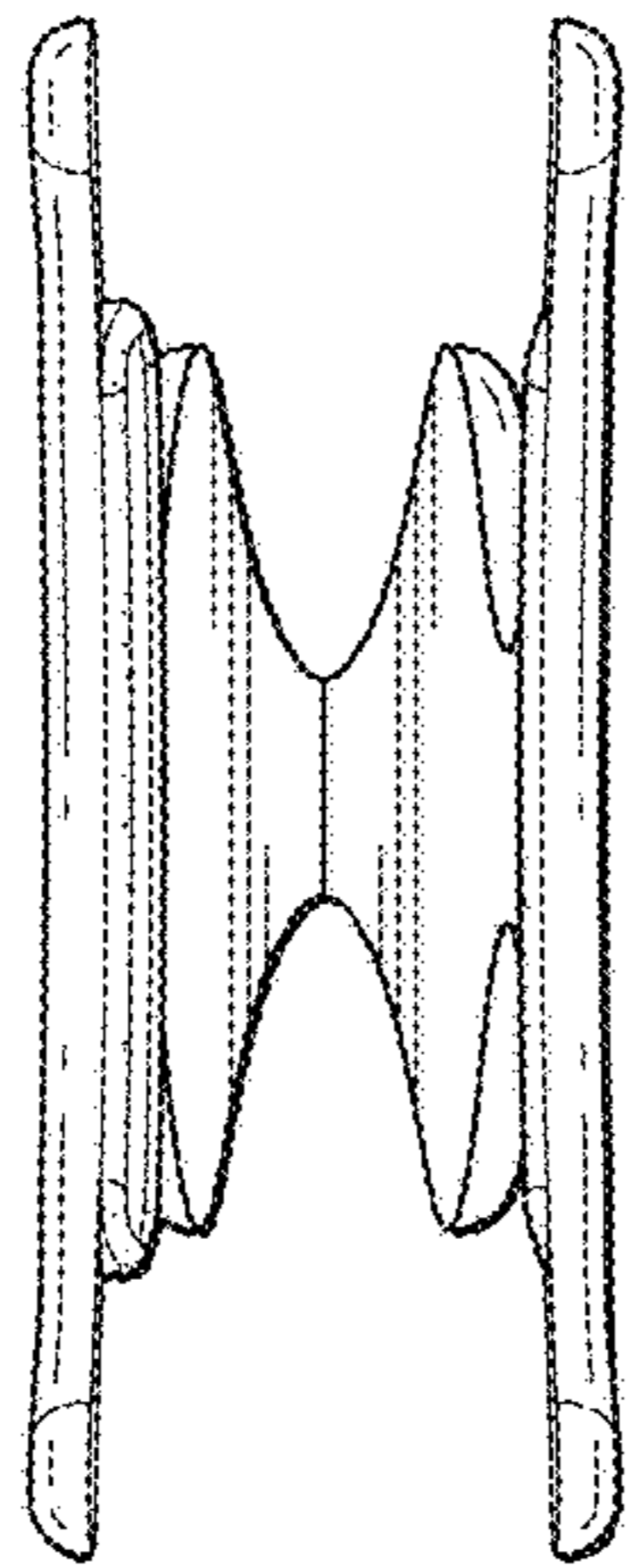


FIG. 2

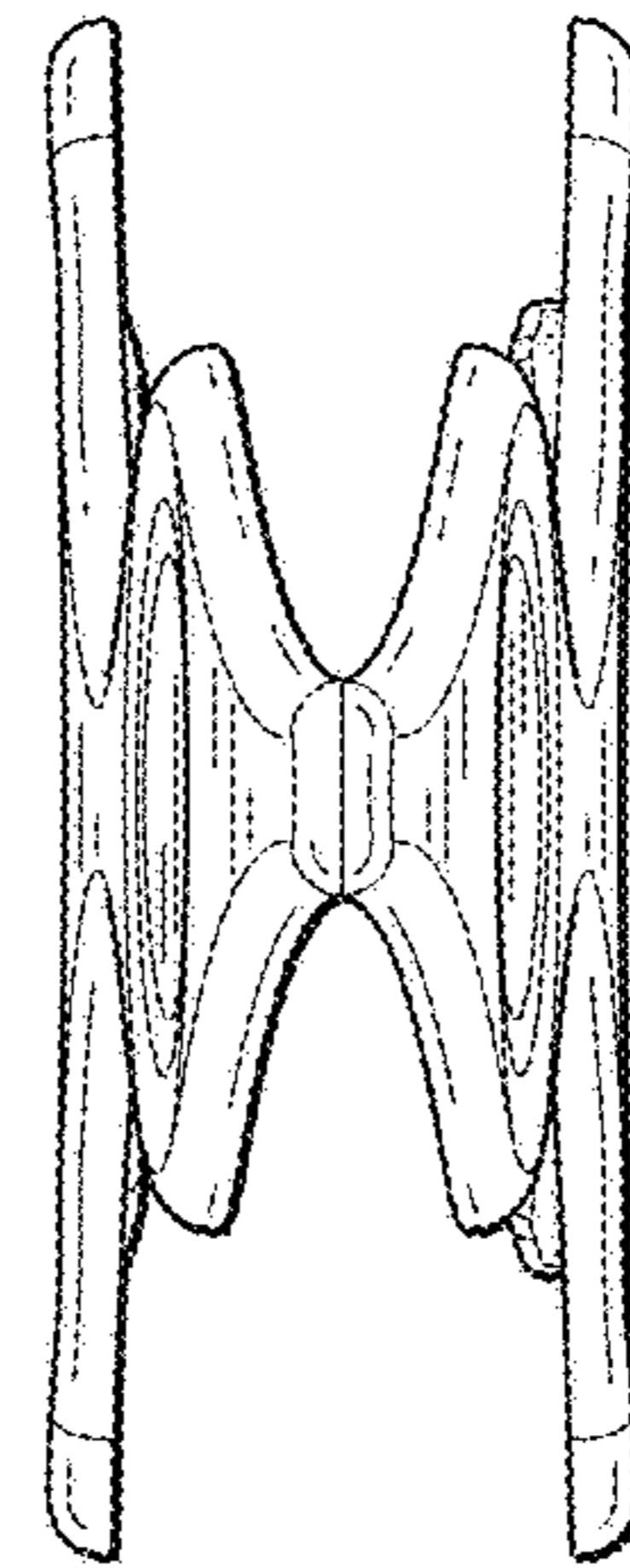


FIG. 3

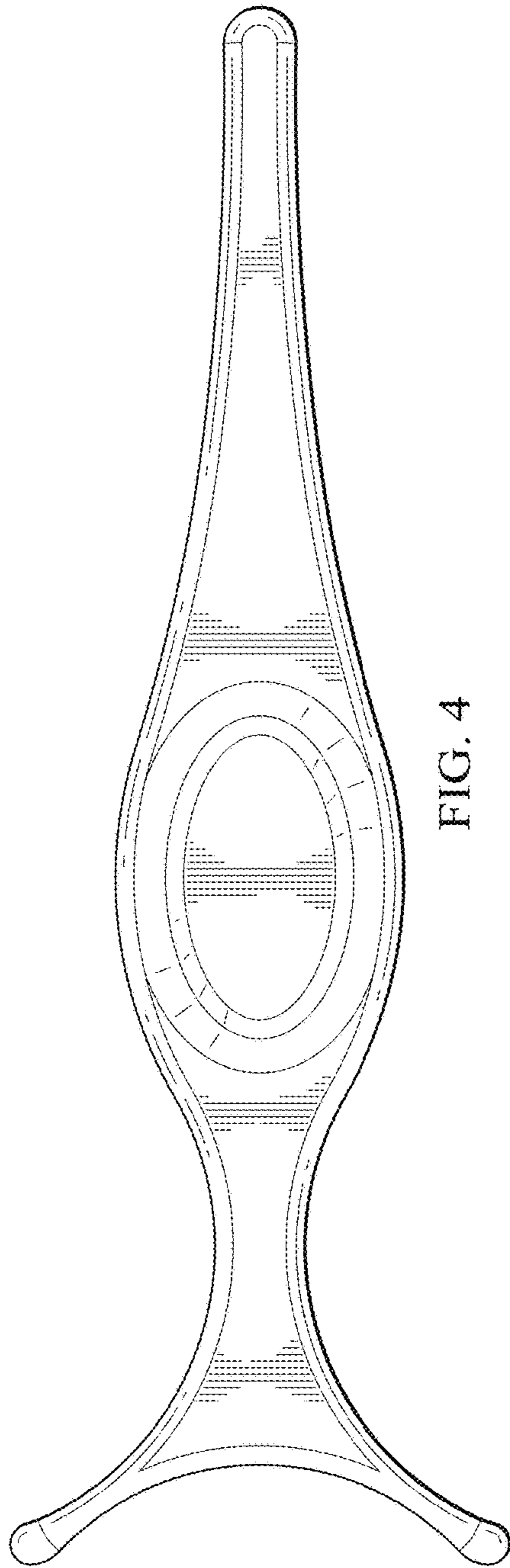


FIG. 4

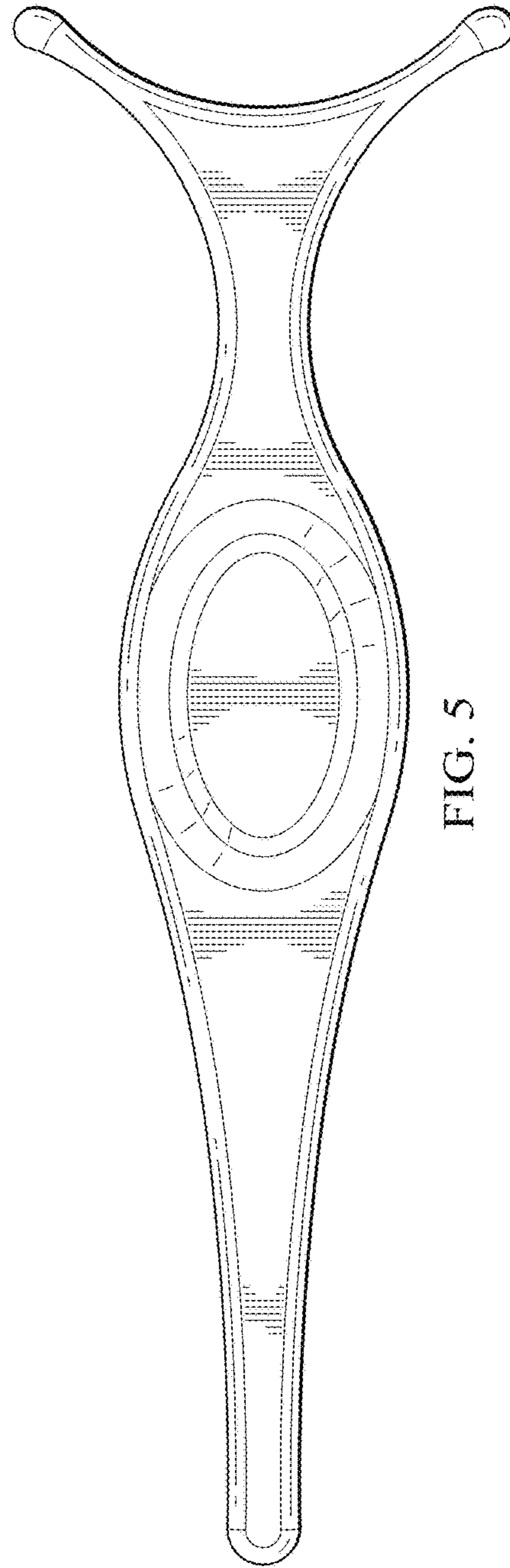


FIG. 5

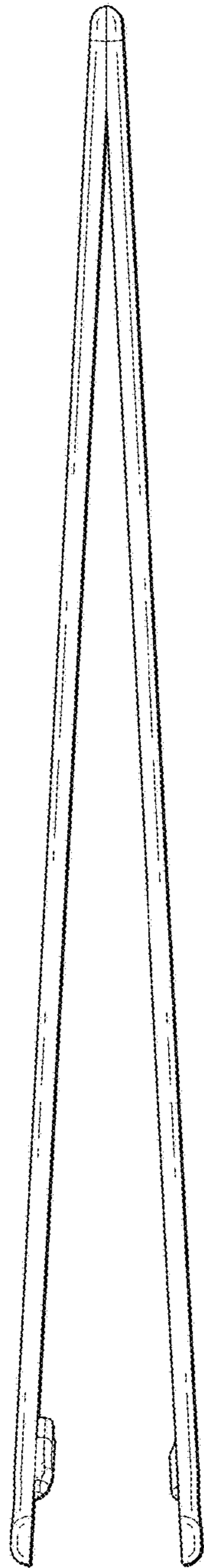


FIG. 6

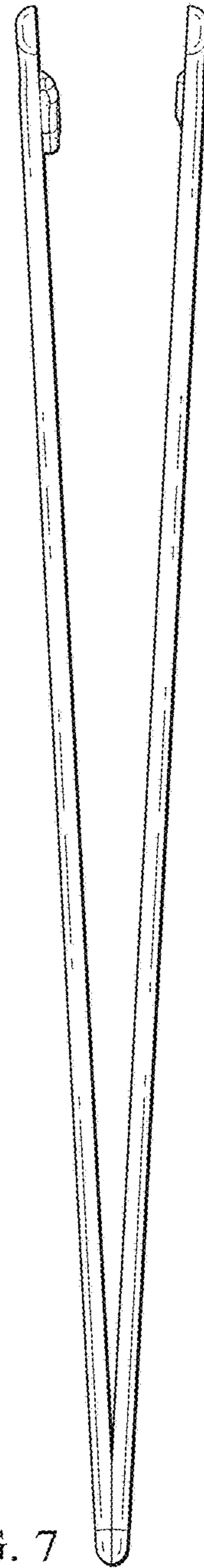


FIG. 7

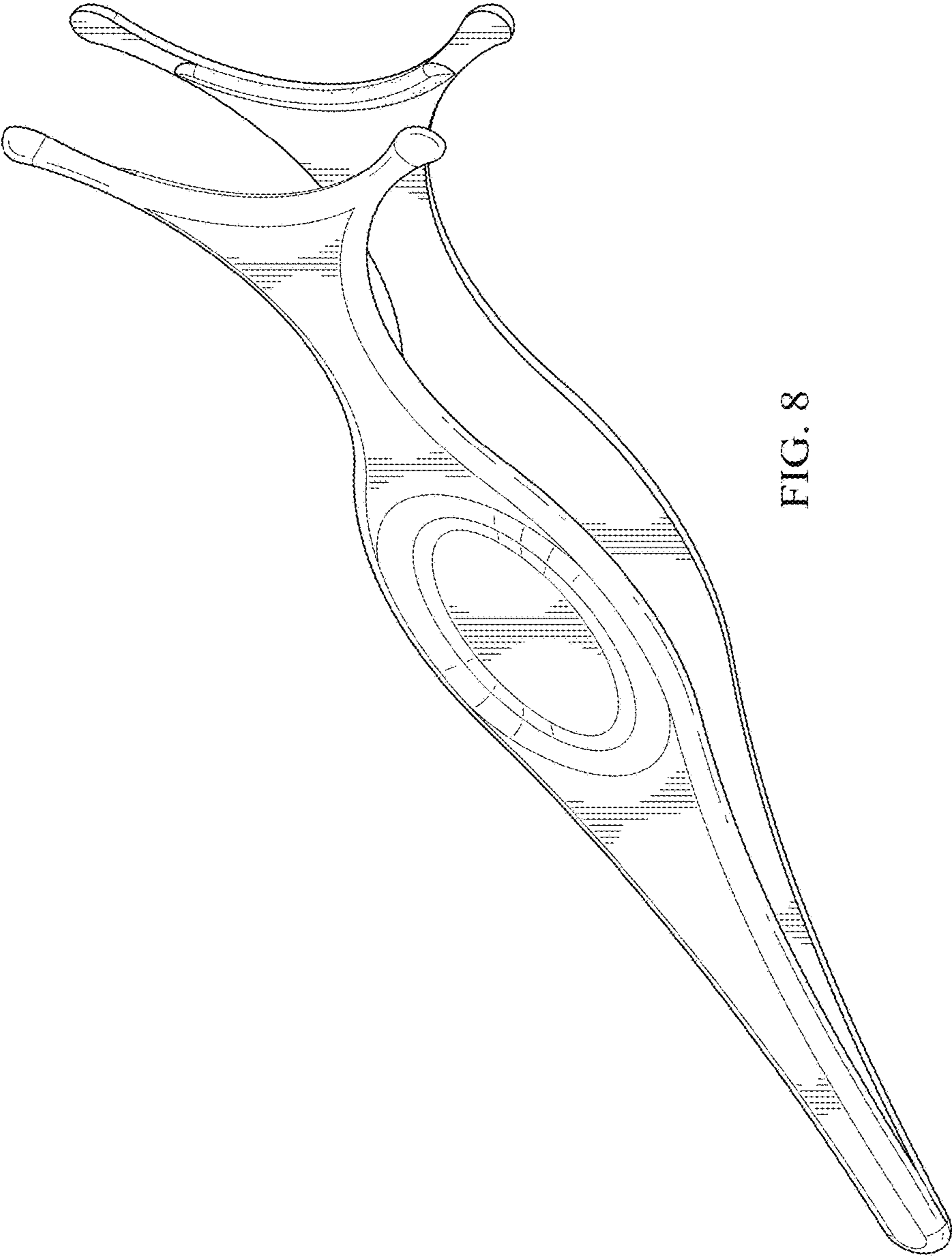


FIG. 8

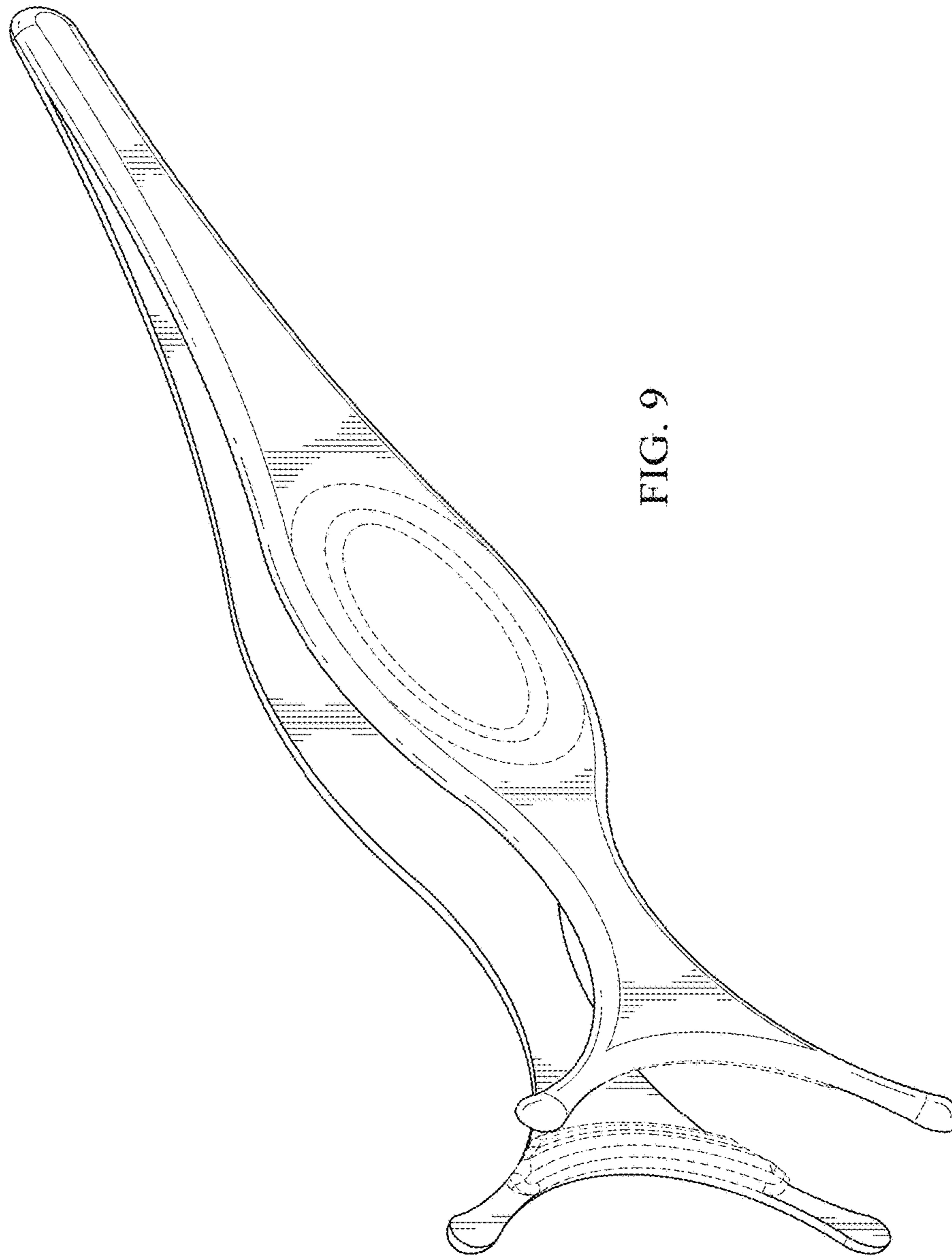


FIG. 9

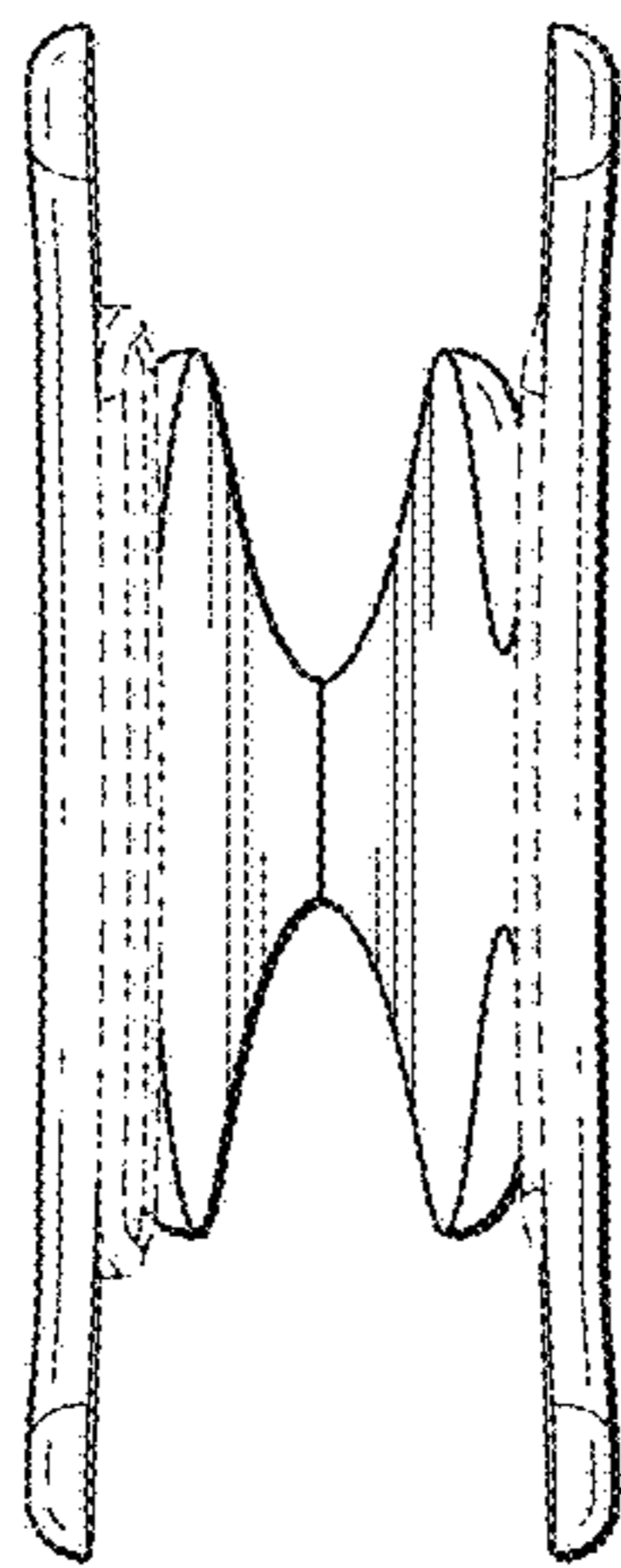


FIG. 10

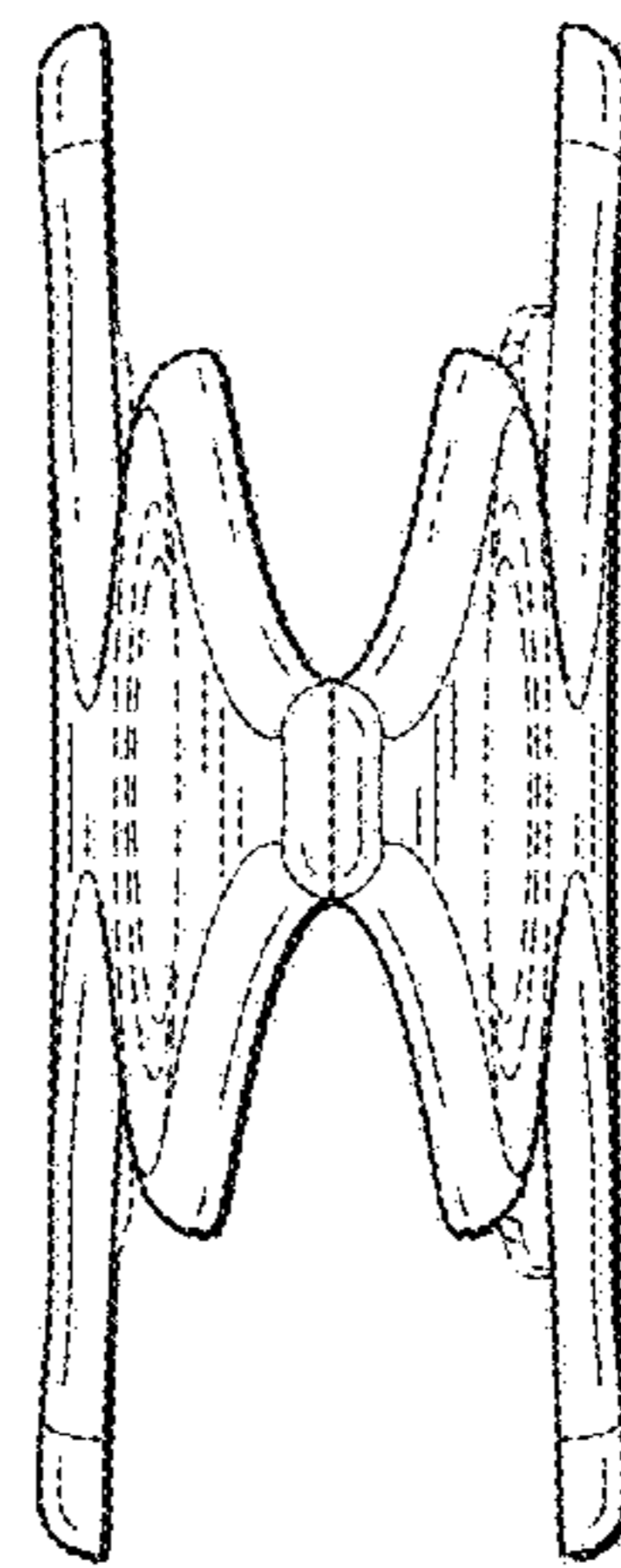


FIG. 11

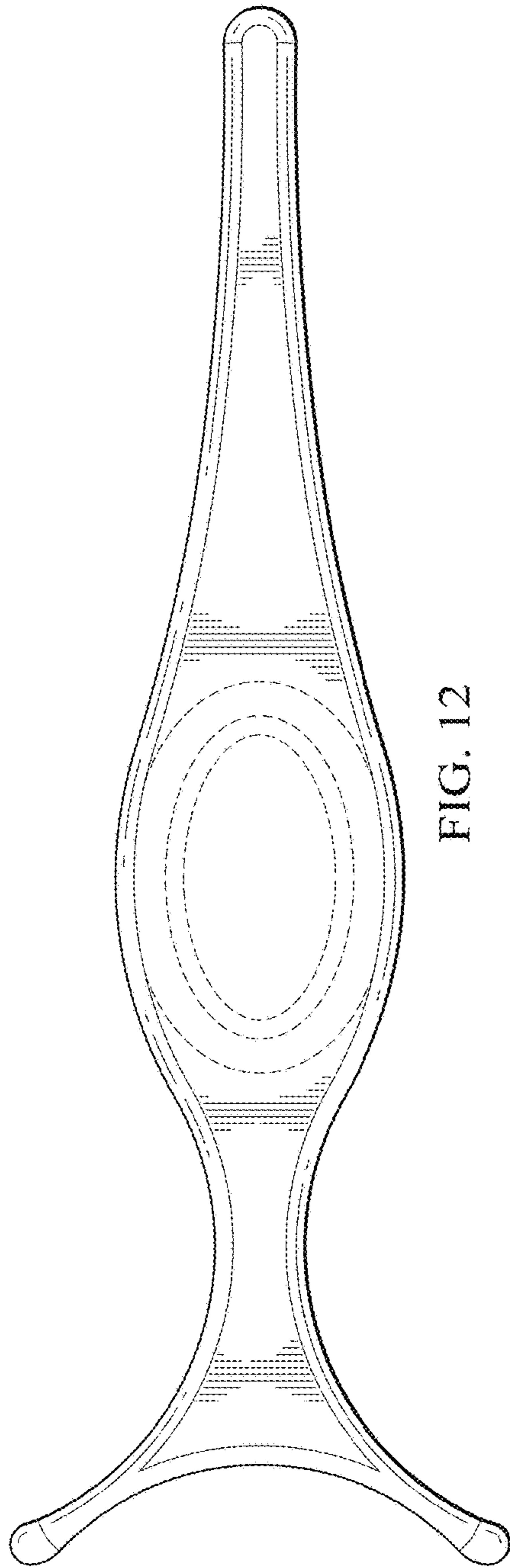


FIG. 12

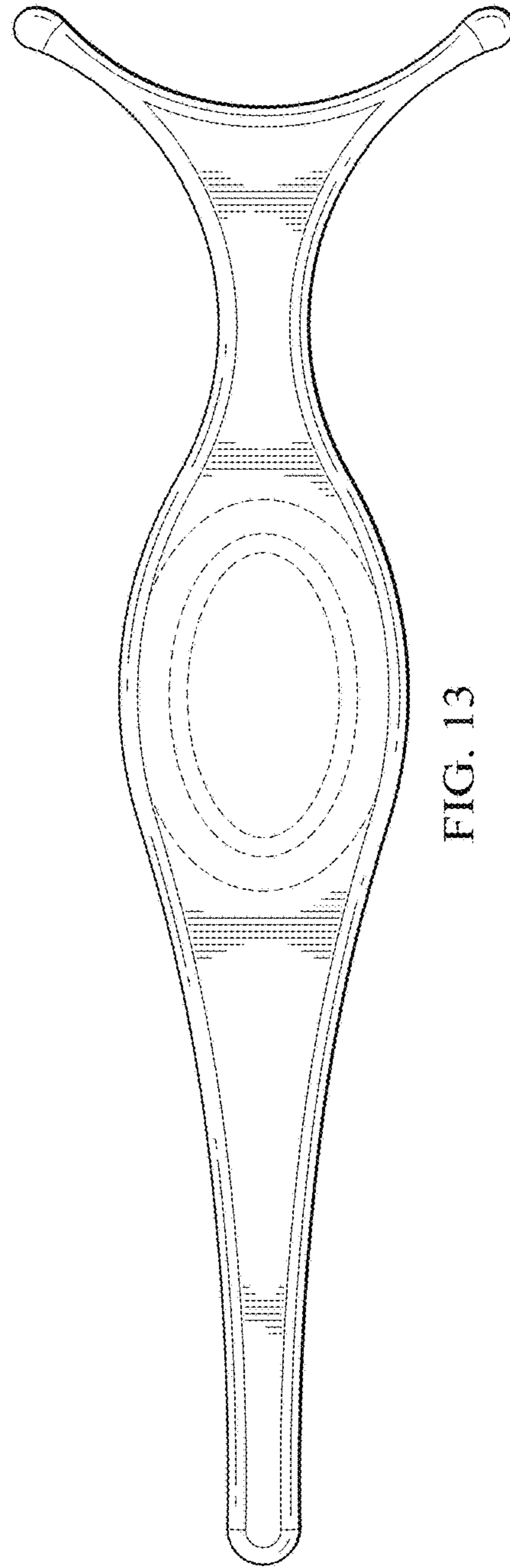


FIG. 13

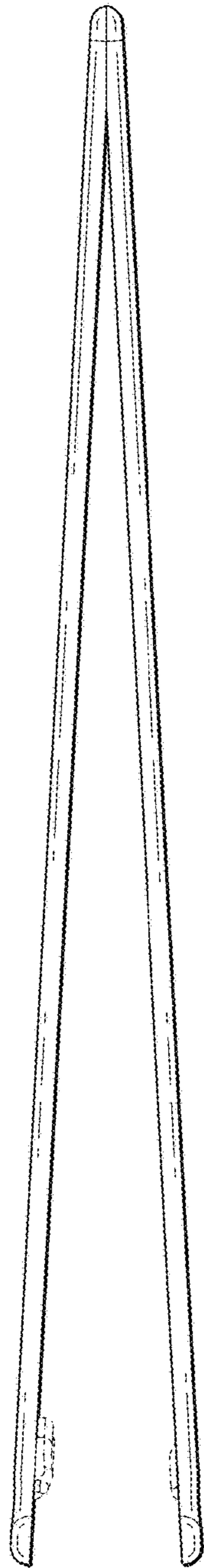


FIG. 14

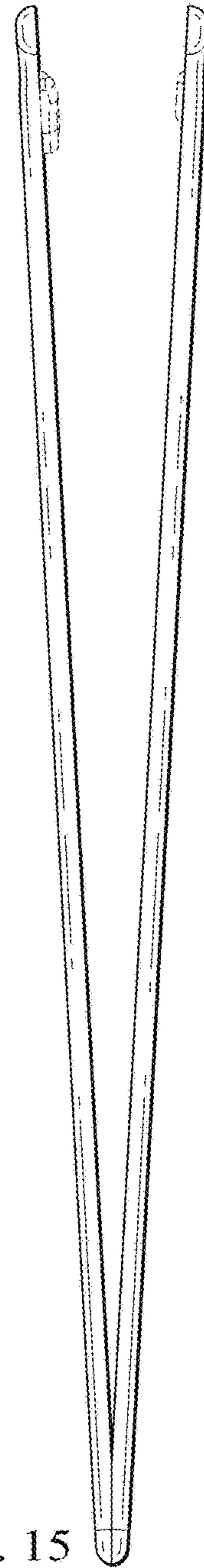


FIG. 15

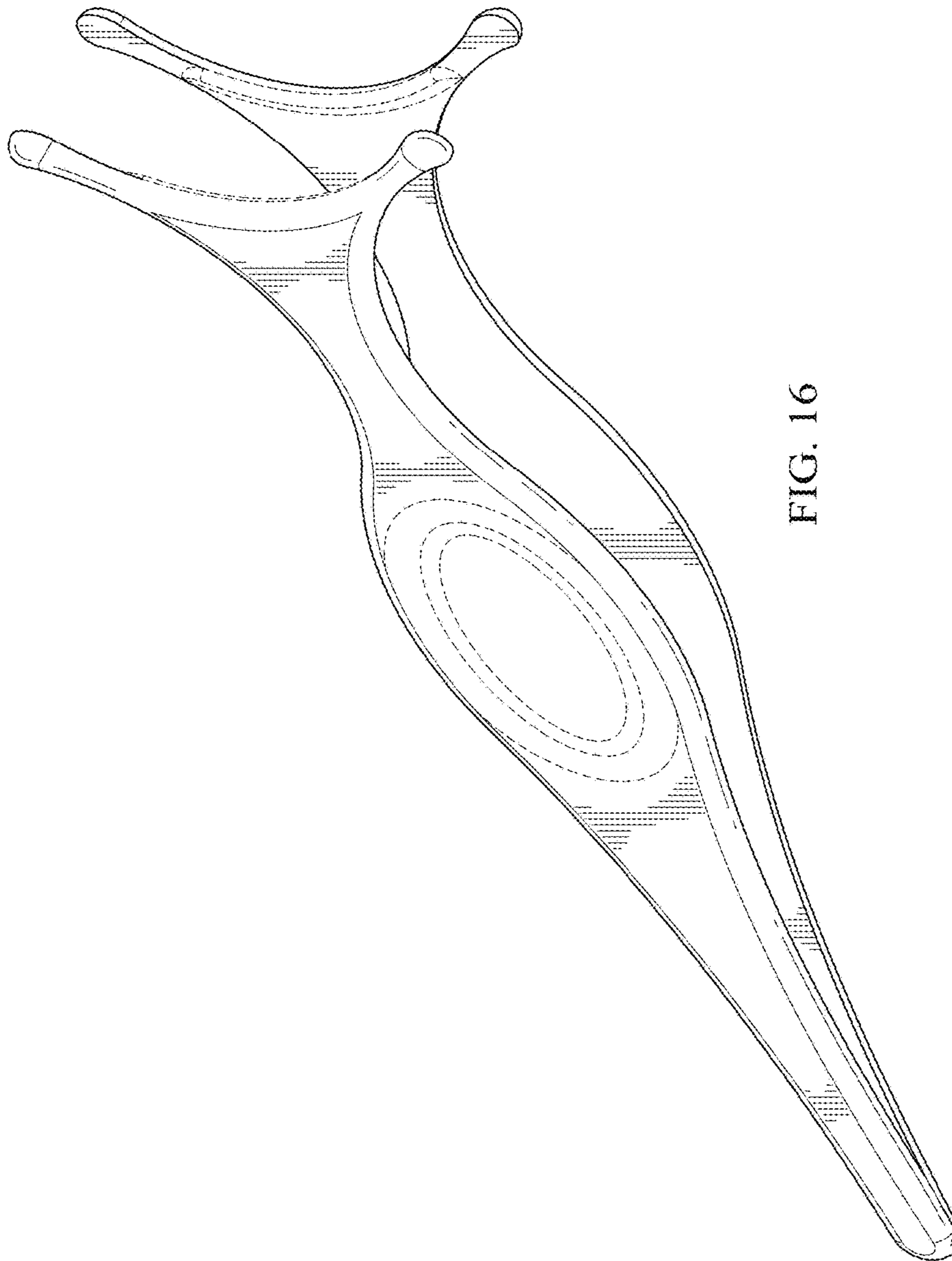


FIG. 16