



US00D863678S

(12) **United States Design Patent** (10) **Patent No.:** **US D863,678 S**
Petrosian (45) **Date of Patent:** **** Oct. 15, 2019**

(54) **APPARATUS TO CLEAN A SMOKING DEVICE**
(71) Applicant: **Arbi Petrosian**, Glendale, CA (US)
(72) Inventor: **Arbi Petrosian**, Glendale, CA (US)
(**) Term: **15 Years**
(21) Appl. No.: **29/623,771**
(22) Filed: **Oct. 26, 2017**
(51) **LOC (12) Cl.** **27-99**
(52) **U.S. Cl.**
USPC **D27/196**
(58) **Field of Classification Search**
USPC D27/100, 101, 102-105, 114, 137, 139,
D27/141-144, 152, 153, 154, 155, 160,
D27/161, 162-196, 136, 128; D23/366;
D7/416; D24/110; D8/371, 380, 499;
D32/25; D15/199
CPC A24F 47/002; A24F 47/00; A24F 3/02;
A24C 5/44; A24C 5/425
See application file for complete search history.

(56) **References Cited**

U.S. PATENT DOCUMENTS

D142,559 S * 10/1945 Herzog 131/47
D220,893 S * 6/1971 Paynter D27/194
3,688,777 A * 9/1972 Kastner A24C 5/425
131/70
3,903,902 A * 9/1975 Messner A24C 5/42
131/70
3,911,933 A * 10/1975 Crisp A24C 5/44
131/47
D250,965 S * 1/1979 Moscovitch D27/194
D256,168 S * 7/1980 Thompson D27/194
D258,540 S * 3/1981 Kotuby D27/194
D275,897 S * 10/1984 Schutze D27/194
D284,795 S * 7/1986 Webb D27/194
D315,617 S * 3/1991 Boutte D27/194

D334,631 S * 4/1993 Jones D27/194
D347,490 S * 5/1994 Gee D27/194
D348,329 S * 6/1994 Signorelli D27/193
5,456,269 A * 10/1995 Kollasch A24F 1/00
131/198.1
D368,552 S * 4/1996 Adams D27/194
5,726,421 A * 3/1998 Fleischhauer A24F 47/008
131/182
D399,600 S * 10/1998 Bowen D27/194
D400,300 S * 10/1998 Brandenburg D27/194
5,967,148 A * 10/1999 Harris A24F 47/008
131/329
D436,687 S * 1/2001 Kastner D27/194
D473,338 S * 4/2003 Brandenburg D27/194
D473,339 S * 4/2003 Yu D27/194
D492,445 S * 6/2004 Parcevaux D27/194
D494,315 S * 8/2004 Cartier D27/194
6,810,883 B2 * 11/2004 Felter A24F 47/008
131/194
7,185,659 B2 * 3/2007 Sharpe A24F 47/008
131/194

(Continued)

Primary Examiner — Marissa J Cash
(74) *Attorney, Agent, or Firm* — Thomas I. Rozsa

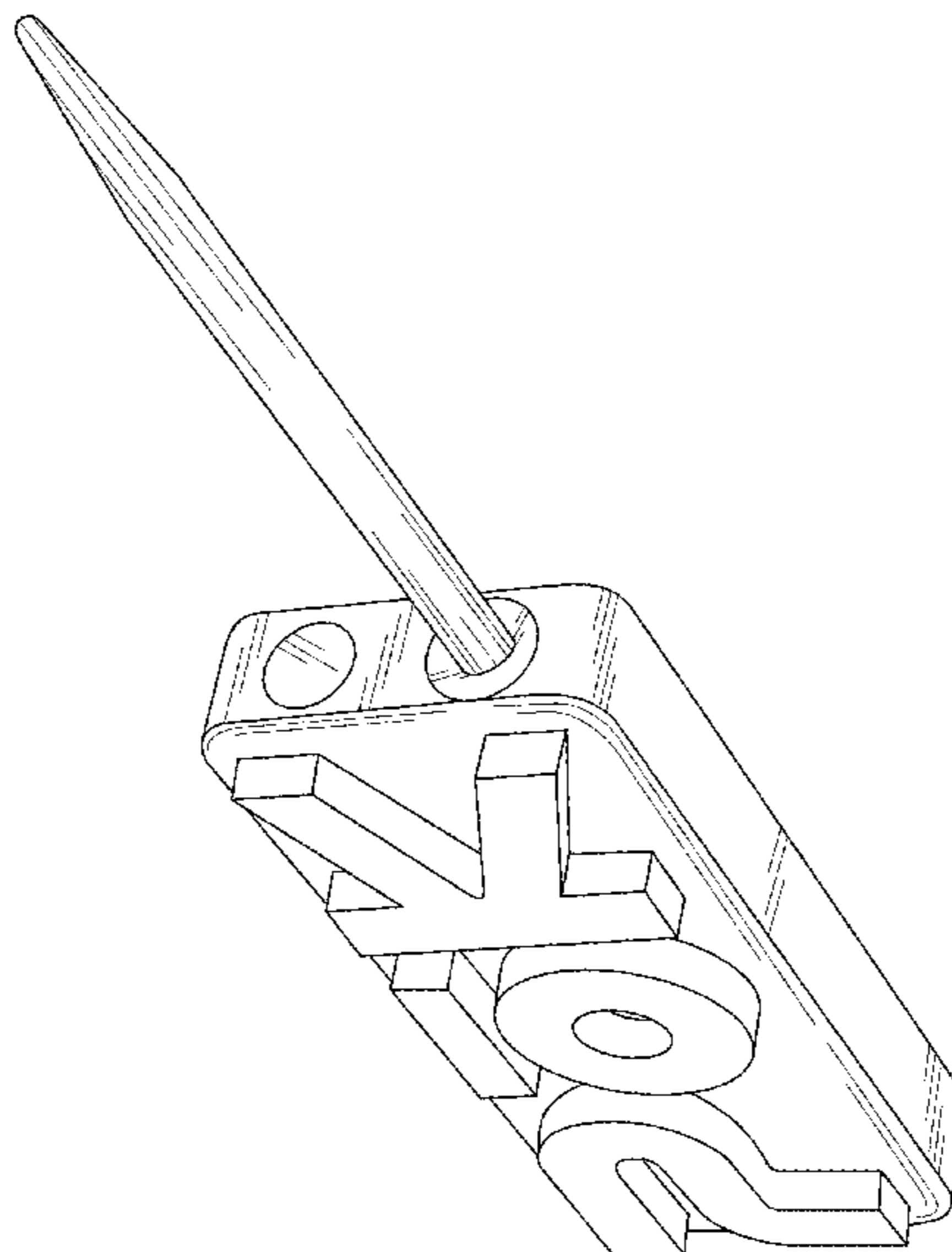
(57) **CLAIM**

The ornamental design for an apparatus to clean a smoking device, as shown and described.

DESCRIPTION

FIG. 1 is a top front right side perspective view of an apparatus to clean a smoking device, showing my new design;
FIG. 2 is a bottom rear left side elevational view thereof;
FIG. 3 is a top plan view thereof;
FIG. 4 is a bottom plan view thereof;
FIG. 5 is a left side elevational view thereof;
FIG. 6 is a right side elevational view thereof;
FIG. 7 is a front view thereof; and,
FIG. 8 is a rear view thereof.

1 Claim, 8 Drawing Sheets



(56)

References Cited

U.S. PATENT DOCUMENTS

D544,643 S * 6/2007 Lin D27/194
 D545,494 S * 6/2007 Soeprapto D27/194
 D547,002 S * 7/2007 Lin D27/194
 D547,440 S * 7/2007 Louet-Feisser D24/110
 D547,490 S * 7/2007 Simester D27/194
 D553,793 S * 10/2007 Lin D27/194
 D569,033 S * 5/2008 Parcevaux D27/194
 D570,540 S * 6/2008 Feldmann D27/194
 D579,150 S * 10/2008 Lin D27/184
 D613,032 S * 4/2010 Lin D27/194
 D613,033 S * 4/2010 Lin D27/194
 D649,708 S * 11/2011 Oneil D27/163
 D659,901 S * 5/2012 Lin D27/194
 D665,126 S * 8/2012 Lin D27/194
 D692,616 S * 10/2013 Patel D27/194
 D700,399 S * 2/2014 Lin D27/194
 D738,038 S * 9/2015 Smith D27/170
 D745,213 S * 12/2015 Alima D27/143

D747,037 S * 1/2016 Spielman B02C 18/144
 D27/194
 D753,336 S * 4/2016 Chen D27/101
 D769,521 S * 10/2016 Lin D27/194
 D773,114 S * 11/2016 Leidel D27/163
 D775,414 S * 12/2016 Ampolini D13/108
 D779,116 S * 2/2017 Brandenburg D27/194
 D799,746 S * 10/2017 Leidel D27/163
 D802,834 S * 11/2017 Mathias D27/163
 9,949,503 B2 * 4/2018 Lin A24C 5/06
 D828,622 S * 9/2018 Chen D27/162
 10,085,488 B2 * 10/2018 Kies A24F 3/00
 D833,672 S * 11/2018 Qiu D27/163
 2008/0121244 A1 * 5/2008 Bryman A24F 3/00
 131/328
 2009/0283103 A1 * 11/2009 Nielsen A24F 1/30
 131/273
 2012/0255546 A1 * 10/2012 Goetz A61M 11/041
 128/202.21
 2015/0053217 A1 * 2/2015 Steingraber A24F 47/008
 131/329

* cited by examiner

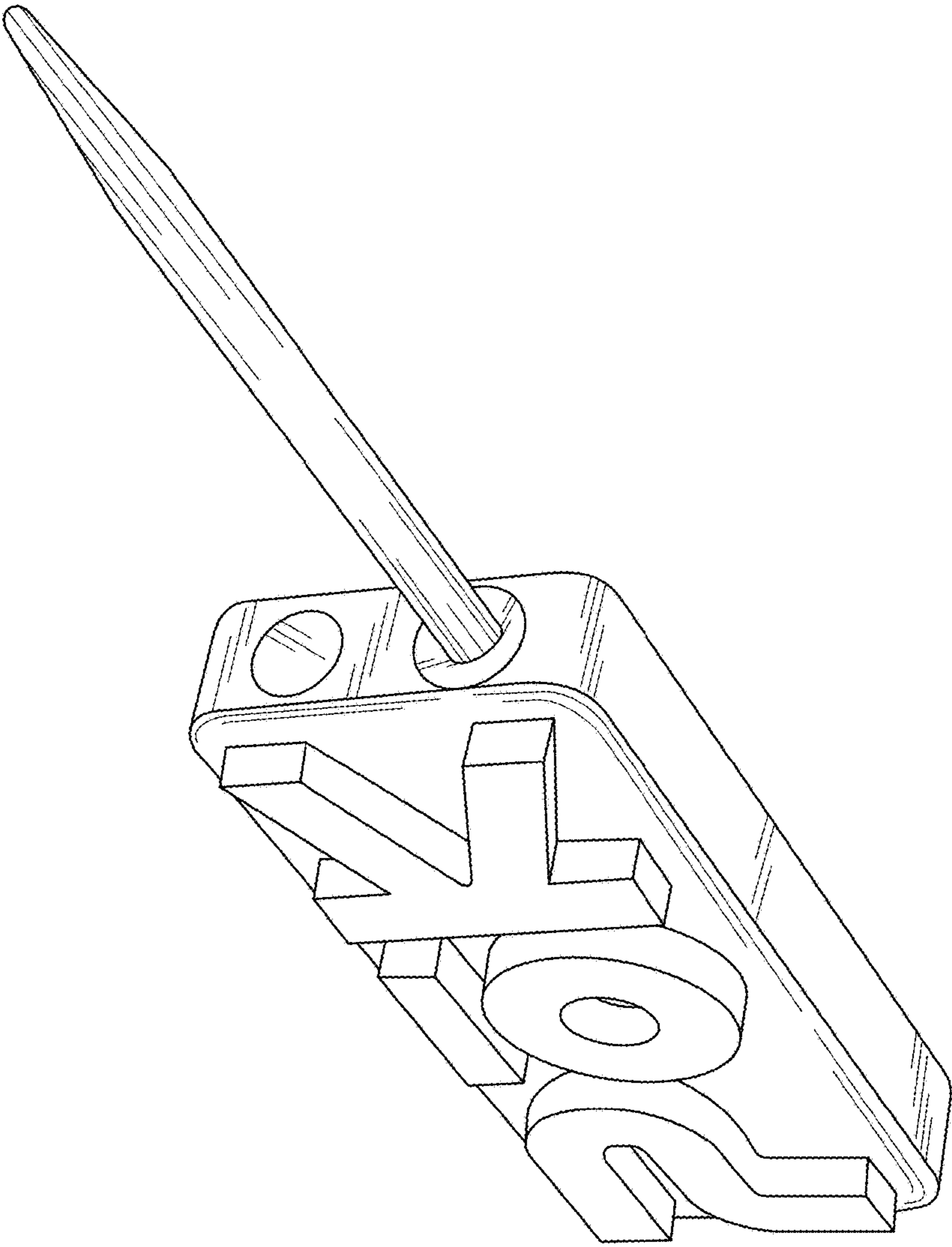


FIG. 1

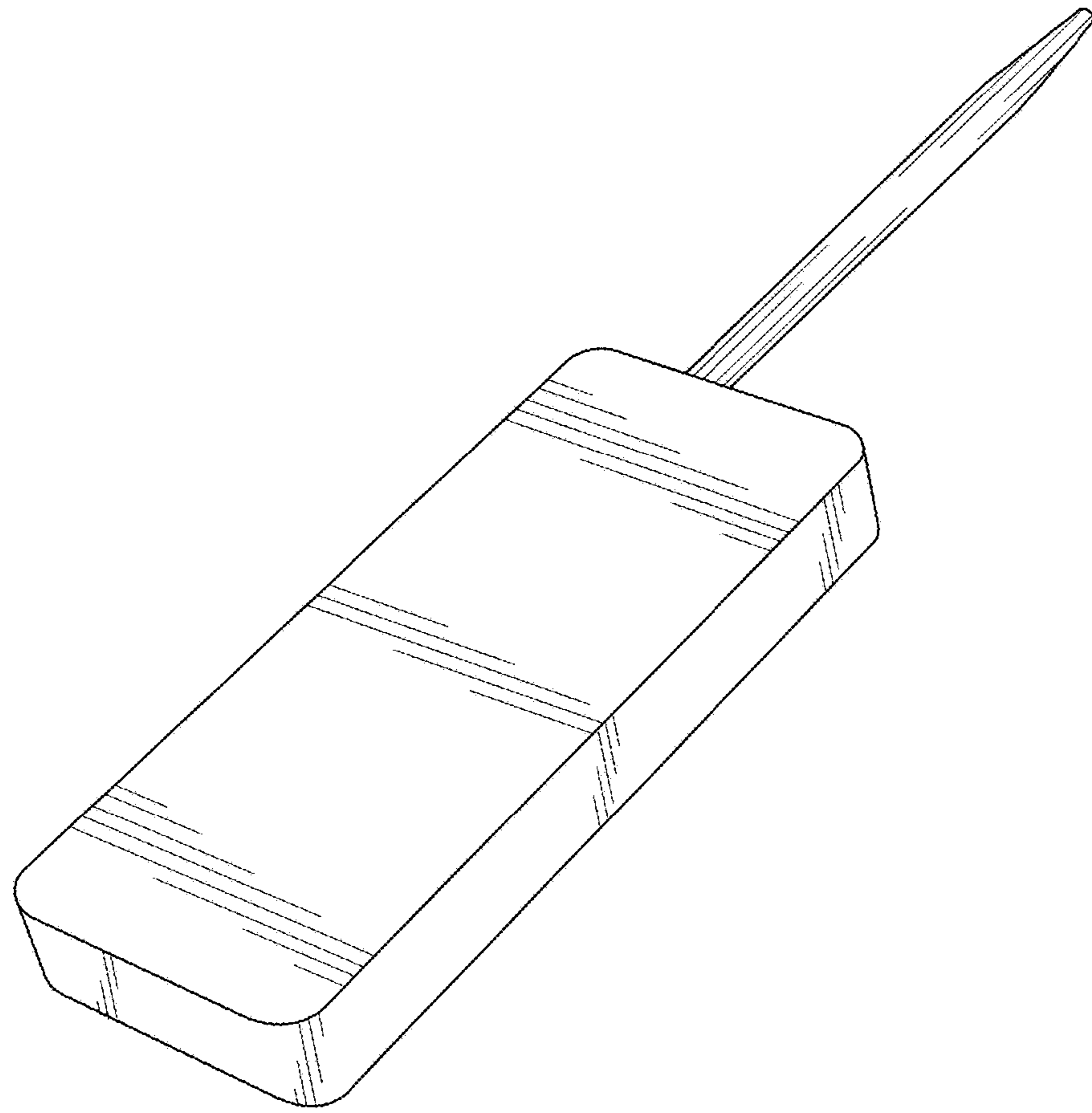


FIG. 2

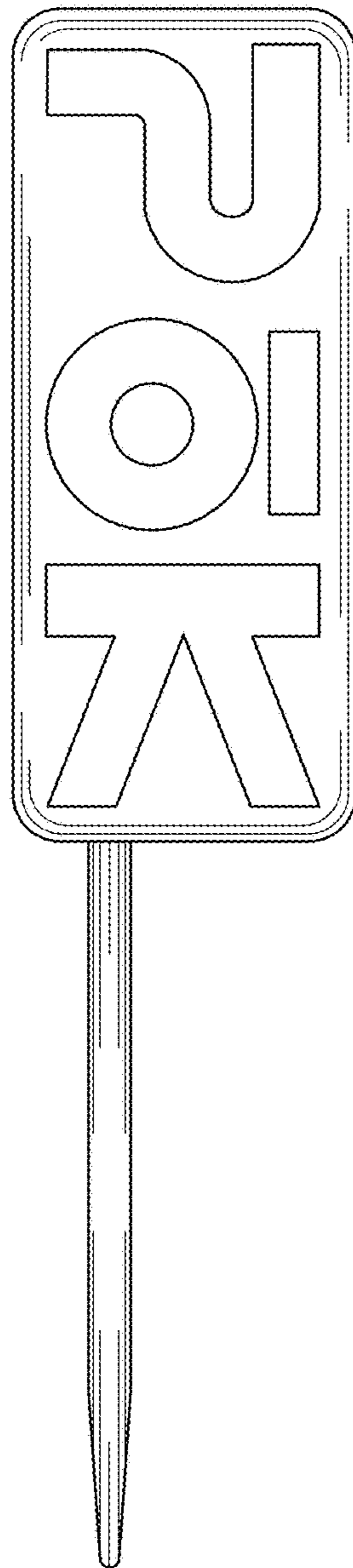


FIG. 3

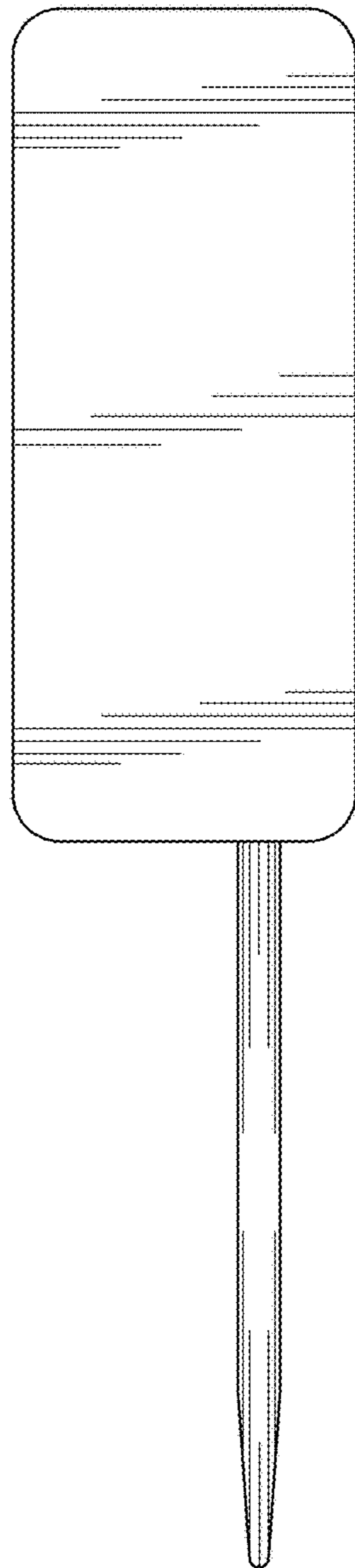


FIG. 4

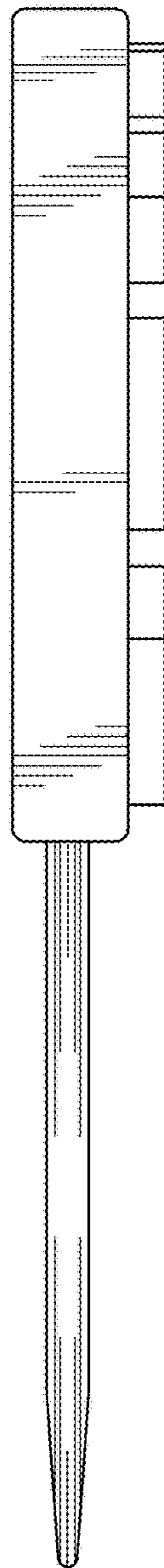


FIG. 5

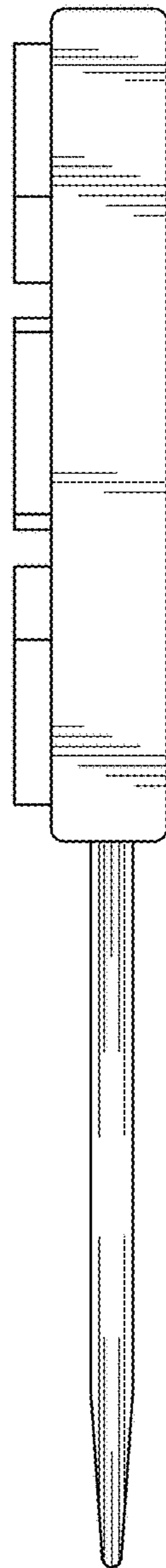


FIG. 6

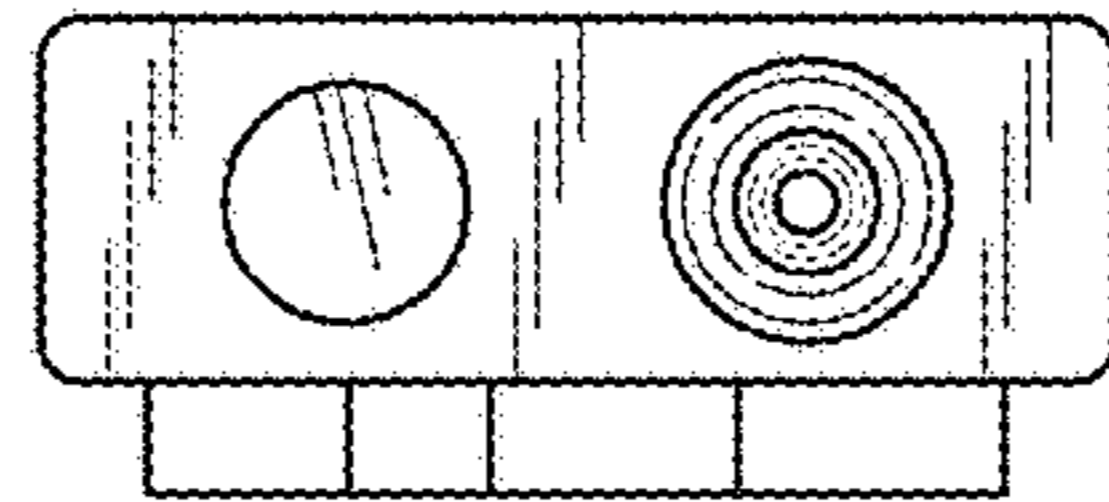


FIG. 7

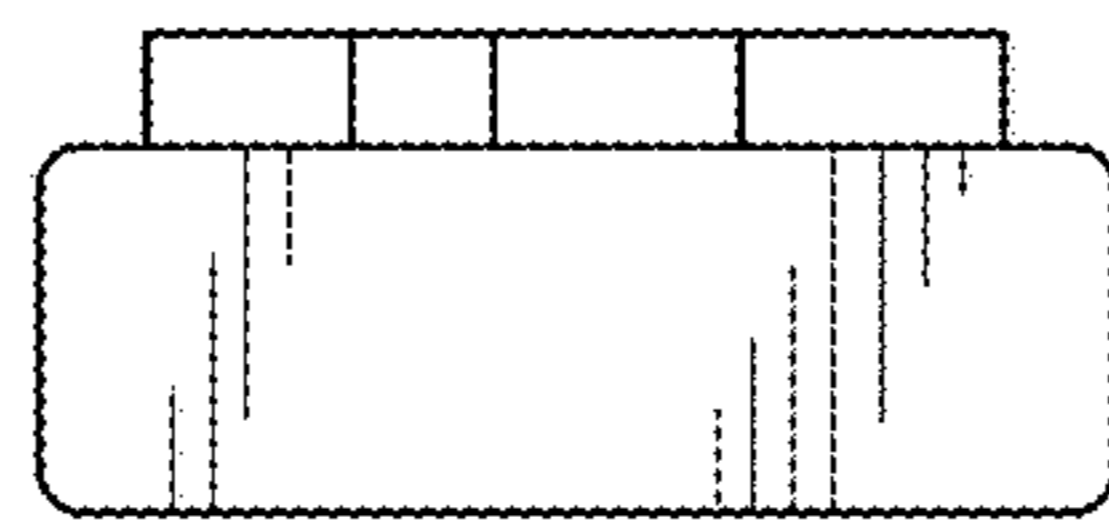


FIG. 8