



US00D863676S

(12) **United States Design Patent** (10) **Patent No.:** **US D863,676 S**
Perez et al. (45) **Date of Patent:** **** *Oct. 15, 2019**

(54) **VAPING DEVICE TANK**

FOREIGN PATENT DOCUMENTS

(71) Applicant: **Digirettes, Inc.**, Sherman Oaks, CA (US)

CN 203 327 954 U 12/2013
EP 0101227 2/1984

(Continued)

(72) Inventors: **Ruben Hector Perez**, Sherman Oaks, CA (US); **Alexander Basile**, Sherman Oaks, CA (US); **Spencer Mackay**, Sherman Oaks, CA (US); **Robert Fletcher**, Sherman Oaks, CA (US)

OTHER PUBLICATIONS

Cue Vapor System by Colins Body Blog. dated Nov. 2, 2017. found online [Apr. 27, 2018] <http://colinsbb.blogspot.com/2017/11/cue-vapor-system-preview-right-on-cue.html#!/2017/11/cue-vapor-system-preview-right-on-cue.html>.*

(Continued)

(73) Assignee: **Digirettes, Inc.**, Sherman Oaks, CA (US)

(*) Notice: This patent is subject to a terminal disclaimer.

Primary Examiner — Marissa J Cash

(74) *Attorney, Agent, or Firm* — Knobbe, Martens, Olson & Bear, LLP

(**) Term: **15 Years**

(21) Appl. No.: **29/625,780**

(57) **CLAIM**

We claim the ornamental design for a vaping device tank, as shown and described.

(22) Filed: **Nov. 13, 2017**

Related U.S. Application Data

DESCRIPTION

(63) Continuation of application No. 29/585,888, filed on Nov. 29, 2016, now Pat. No. Des. 805,687, which is (Continued)

(51) **LOC (12) Cl.** **27-07**

(52) **U.S. Cl.**
USPC **D27/167**

(58) **Field of Classification Search**
USPC D27/100, 101, 102, 103, 104, 105, 125, D27/137, 162, 163–169, 170, 171,
(Continued)

FIG. 1 is a perspective view of a front side of a vaping device tank;
FIG. 2 is a view of a right side of the vaping device tank;
FIG. 3 is another perspective view of the front side of the vaping device tank;
FIG. 4 is a view of a left side of the vaping device tank;
FIG. 5 is a top view of the vaping device tank;
FIG. 6 is a bottom view of the vaping device tank; and,
FIG. 7 is a front view of the vaping device tank.

In the drawings, the claimed design is defined by solid lines and shaded surfaces; dot-dash broken lines represent boundaries of the claim and form no part thereof; all other evenly-spaced broken lines depict unclaimed environmental subject matter only and form no part of the claimed design.

(56) **References Cited**

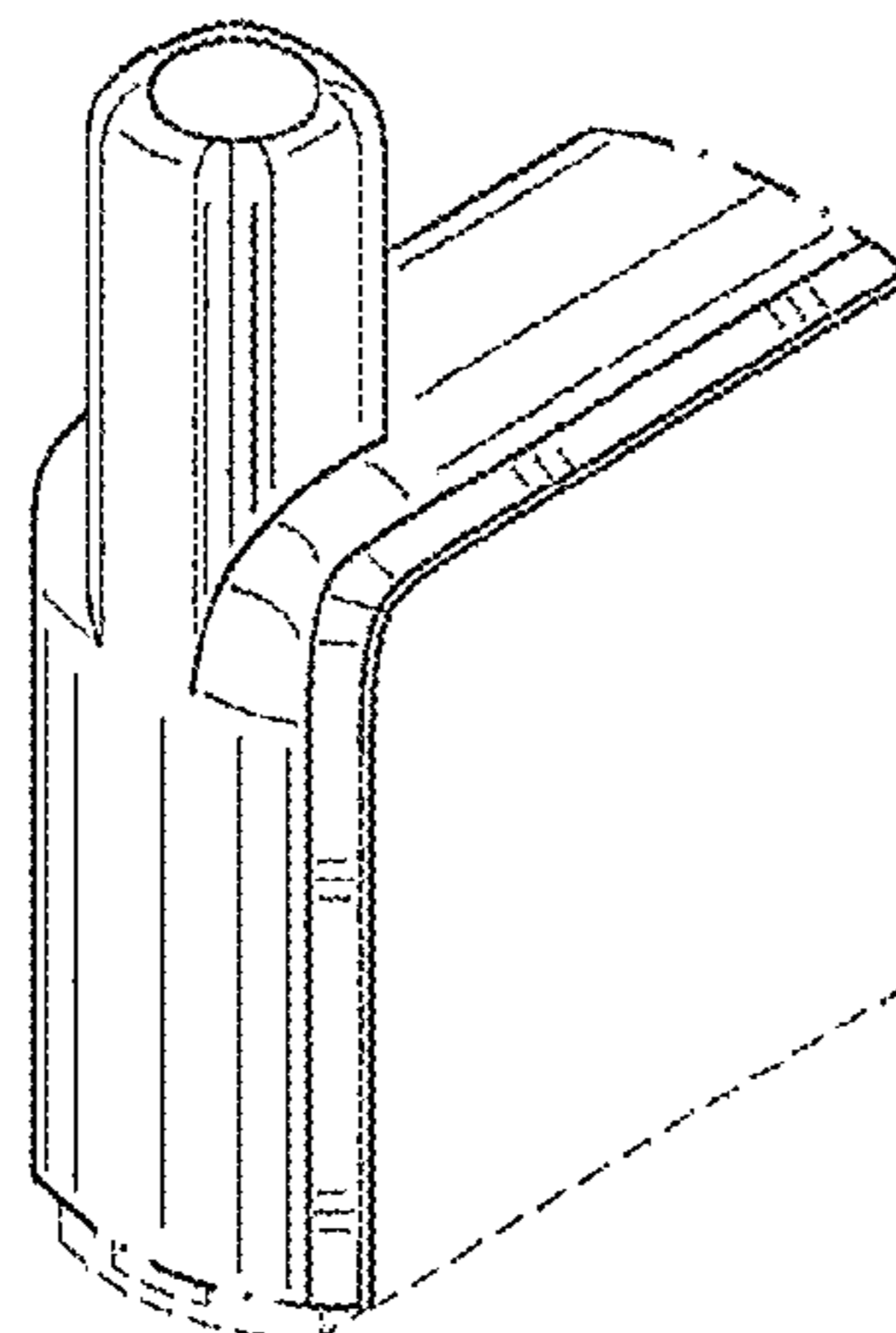
U.S. PATENT DOCUMENTS

3,585,774 A 6/1971 Rowell et al.

3,589,371 A 6/1971 LaPorte

(Continued)

1 Claim, 2 Drawing Sheets



Related U.S. Application Data

a continuation of application No. PCT/US2015/053836, filed on Oct. 2, 2015.

(58) **Field of Classification Search**

USPC D27/172-194; D23/366; D13/103, 108; D9/452, 453, 454, 457; D14/435.1
CPC A24F 1/30; A24F 5/04; A24F 9/00; A24F 47/002; A24F 47/008; A24F 7/00; A61M 15/0021; G06K 7/0004

See application file for complete search history.

(56) **References Cited**

U.S. PATENT DOCUMENTS

3,590,825 A 7/1971 Davis
3,608,716 A 9/1971 Rowell et al.
3,625,227 A 12/1971 Fether
3,703,902 A 11/1972 Sargrove
3,707,975 A 1/1973 Davis
3,760,814 A 9/1973 Fether et al.
3,769,990 A 11/1973 Williams
3,861,400 A 1/1975 Perkins et al.
3,888,160 A 6/1975 Westcott et al.
4,777,131 A 10/1988 Long et al.
4,777,967 A 10/1988 Bale et al.
4,783,418 A 11/1988 Long et al.
4,832,056 A 5/1989 Bryant et al.
4,832,057 A 5/1989 Bale et al.
4,881,555 A 11/1989 Bolt et al.
4,969,476 A 11/1990 Bale et al.
5,025,913 A 6/1991 Colley
5,046,514 A 9/1991 Bolt
5,105,835 A 4/1992 Drewett et al.
D347,490 S 5/1994 Gee
D368,552 S 4/1996 Adams
D370,300 S 5/1996 Gottvald
D373,443 S 9/1996 Gottvald
D373,847 S 9/1996 Gottvald
D386,637 S 1/1997 St-Pierre et al.
5,666,977 A 9/1997 Higgins et al.
D393,171 S 4/1998 St-Pierre et al.
D393,924 S 4/1998 Wright
5,738,120 A 4/1998 Chard
5,740,817 A 4/1998 Cunningham
D394,180 S 5/1998 St-Pierre et al.
D394,365 S 5/1998 St-Pierre et al.
D394,774 S 6/1998 St-Pierre et al.
D395,184 S 6/1998 St-Pierre et al.
D398,470 S 9/1998 St-Pierre et al.
D402,835 S 12/1998 Cyr et al.
5,845,770 A 12/1998 James et al.
D408,173 S 4/1999 Walrath et al.
D418,940 S 1/2000 Luton et al.
D421,151 S 2/2000 Luton et al.
D422,113 S 3/2000 Higgins
6,082,369 A 7/2000 Nevett et al.
6,125,855 A 10/2000 Nevett et al.
D438,105 S 2/2001 Conner et al.
6,206,008 B1 3/2001 Matteau et al.
6,209,835 B1 4/2001 Walrath et al.
6,216,861 B1 4/2001 James et al.
6,481,441 B1 1/2002 Cunningham
6,394,098 B1 5/2002 Cunningham
6,474,469 B1 11/2002 Luton et al.
6,553,999 B1 4/2003 Cardone et al.
D545,494 S 6/2007 Soeprapto
D547,440 S 7/2007 Louet-Feisser
D590,988 S 4/2009 Hon
D590,989 S 4/2009 Hon
D590,990 S 4/2009 Hon
D590,991 S 4/2009 Hon
D614,346 S 4/2010 Lik
D624,437 S 9/2010 Leclezio
7,832,410 B2 11/2010 Hon
D649,708 S 11/2011 Oneil

8,156,944 B2 4/2012 Han
D665,270 S 8/2012 Leclezio
D668,140 S 10/2012 Collins
D668,141 S 10/2012 Collins
D668,533 S 10/2012 Collins
D668,534 S 10/2012 Collins
D668,535 S 10/2012 Collins
8,347,684 B2 1/2013 Coderre
D676,741 S 2/2013 Van Landsveld et al.
8,365,742 B2 2/2013 Hon
8,375,957 B2 2/2013 Hon
8,393,331 B2 3/2013 Hon
D681,445 S 5/2013 Van Landsveld et al.
8,464,867 B2 6/2013 Holloway et al.
8,490,628 B2 7/2013 Hon
8,511,318 B2 8/2013 Hon
D690,461 S 9/2013 Chen
8,556,071 B2 10/2013 Holloway et al.
D693,670 S 11/2013 Van Landsveld et al.
8,689,804 B2 4/2014 Fernando
8,689,805 B2 4/2014 Hon
8,863,752 B2 10/2014 Hon
8,881,738 B2 11/2014 Bryman
8,893,726 B2 11/2014 Hon
8,899,239 B2 12/2014 Hon
8,910,641 B2 12/2014 Hon
D728,855 S 5/2015 Liu
D729,444 S 5/2015 Leidel
D730,572 S 5/2015 LeideL
D738,569 S 9/2015 Saide
D741,001 S 10/2015 Alarcon et al.
D742,062 S 10/2015 Aimsberger
D745,213 S 12/2015 Alima
D748,325 S 1/2016 Leidel
D748,329 S 1/2016 Bagai et al.
D751,756 S 3/2016 Hearn
D753,336 S 4/2016 Chen
D754,919 S 4/2016 Alarcon et al.
9,320,300 B2 4/2016 Hon
D755,057 S 5/2016 Mutter
9,326,546 B2 5/2016 Garcia Urbano et al.
9,326,548 B2 5/2016 Hon
9,326,549 B2 5/2016 Hon
9,326,550 B2 5/2016 Hon
9,326,551 B2 5/2016 Hon
9,339,062 B2 5/2016 Hon
D758,656 S 6/2016 Freshwater
D761,999 S 7/2016 Liu
D764,703 S 8/2016 Liu
D767,820 S 9/2016 Jordan et al.
D767,822 S 9/2016 Jordan et al.
D768,331 S 10/2016 Chen
D769,520 S 10/2016 Hua
D771,309 S 11/2016 Ward
D771,867 S 11/2016 Leidel
D773,114 S 11/2016 Leidel
D773,116 S 11/2016 Liu
D775,414 S 12/2016 Ampolini
D775,762 S 1/2017 Chen
D776,051 S 1/2017 Wang
D780,373 S 2/2017 Bennett
D788,362 S * 5/2017 Qiu D27/101
D790,767 S * 6/2017 Rush D27/168
D799,743 S * 10/2017 Qiu D27/101
D799,746 S * 10/2017 Leidel D27/163
D800,377 S * 10/2017 Liu D27/101
D802,834 S * 11/2017 Mathias D27/163
D805,685 S * 12/2017 Lee D27/101
D805,687 S * 12/2017 Perez A24F 47/008
D27/194
D807,576 S * 1/2018 Liu D27/163
D809,191 S * 1/2018 Li D27/101
D809,192 S * 1/2018 Liu D27/163
D814,693 S * 4/2018 Qiu D27/101
2006/0196518 A1 9/2006 Hon
2007/0267031 A1 11/2007 Hon
2008/0308113 A1 12/2008 Nencioni
2008/0314398 A1 12/2008 Fish
2009/0126745 A1 5/2009 Hon

(56)

References Cited

U.S. PATENT DOCUMENTS

2011/0168194 A1 7/2011 Hon
 2011/0226236 A1 9/2011 Buchberger
 2012/0090630 A1 4/2012 Hon
 2012/0111347 A1 5/2012 Hon
 2012/0211015 A1 8/2012 Li et al.
 2012/0234315 A1 9/2012 Li et al.
 2012/0261285 A1 10/2012 Holloway et al.
 2012/0261286 A1 10/2012 Holloway et al.
 2012/0266902 A1 10/2012 Drezen et al.
 2012/0273589 A1 11/2012 Hon
 2012/0279512 A1 11/2012 Hon
 2012/0285476 A1 11/2012 Hon
 2013/0125906 A1 5/2013 Hon
 2013/0139833 A1 6/2013 Hon
 2013/0167854 A1 7/2013 Shin
 2013/0206152 A1 8/2013 Garcia Urbano et al.
 2013/0213420 A1 8/2013 Hon
 2013/0228191 A1 9/2013 Newton
 2013/0276798 A1 10/2013 Hon
 2013/0276804 A1 10/2013 Hon
 2013/0284623 A1 10/2013 Groulx et al.
 2014/0014125 A1 1/2014 Fernando
 2014/0107815 A1 4/2014 Lamothe
 2014/0150810 A1 6/2014 Hon
 2014/0182608 A1 7/2014 Egoyants
 2014/0209110 A1 7/2014 Hon
 2014/0261486 A1 9/2014 Potter
 2014/0261499 A1 9/2014 Hon
 2014/0283824 A1 9/2014 Wheelock
 2014/0305453 A1 10/2014 Hon
 2014/0318560 A1 10/2014 Hon
 2014/0363314 A1 12/2014 Jiang et al.
 2015/0034103 A1 2/2015 Hon
 2015/0040926 A1 2/2015 Saydar
 2015/0040927 A1 2/2015 Li
 2015/0040929 A1 2/2015 Hon
 2015/0128971 A1 5/2015 Verleur
 2015/0128974 A1 5/2015 Hon
 2015/0136124 A1 5/2015 Aronie
 2015/0136155 A1 5/2015 Verleur
 2015/0181944 A1 7/2015 Li
 2015/0208729 A1 7/2015 Monsees
 2015/0216230 A1 8/2015 Loos et al.
 2015/0250229 A1 9/2015 Hon
 2015/0250230 A1 9/2015 Hon
 2015/0250231 A1 9/2015 Hon
 2015/0250232 A1 9/2015 Hon
 2015/0272224 A1 10/2015 Hon
 2015/0335075 A1 11/2015 Minskoff
 2016/0057811 A1 2/2016 Alarcon et al.
 2016/0073692 A1 3/2016 Alarcon et al.
 2016/0120218 A1 5/2016 Schennum
 2016/0120222 A1 5/2016 Bagai et al.
 2016/0135506 A1 5/2016 Sanchez et al.
 2016/0165955 A1 6/2016 Horne
 2016/0213866 A1 7/2016 Tan
 2016/0271347 A1 9/2016 Raichman
 2016/0353800 A1 12/2016 Di Carlo
 2016/0366946 A1 12/2016 Murison
 2017/0006918 A1 1/2017 Chen

FOREIGN PATENT DOCUMENTS

EP 0102247 3/1984
 EP 0165704 12/1985
 EP 0188916 7/1986
 EP 0227424 7/1987
 EP 0227425 7/1987
 EP 0229709 7/1987
 EP 0229710 7/1987
 EP 0234115 9/1987
 EP 0239184 9/1987
 EP 0239245 9/1987
 EP 0242202 10/1987
 EP 0264195 4/1988

EP 0286256 10/1988
 EP 0295122 12/1988
 EP 0309220 3/1989
 EP 0369697 5/1990
 EP 0380324 8/1990
 EP 0407022 1/1991
 EP 0475580 3/1992
 EP 0531075 3/1993
 EP 0693441 1/1996
 EP 0706331 4/1996
 EP 0724391 8/1996
 EP 0782534 7/1997
 EP 0848914 6/1998
 EP 0853893 7/1998
 EP 0862865 9/1998
 EP 0878999 11/1998
 EP 0924997 6/1999
 EP 0967897 1/2000
 EP 1006818 6/2000
 EP 1014810 7/2000
 EP 1017593 7/2000
 EP 1033327 9/2000
 EP 1048230 11/2000
 EP 1094724 5/2001
 EP 1098574 5/2001
 EP 1098825 5/2001
 EP 1144253 10/2001
 EP 1184300 3/2002
 EP 0981485 1/2003
 EP 1313653 5/2003
 EP 2022349 2/2009
 EP 2272386 1/2011
 EP 2325093 5/2011
 EP 2376334 10/2011
 EP 2376335 10/2011
 EP 2404515 1/2012
 EP 2415363 2/2012
 EP 2443946 4/2012
 EP 2681130 1/2014
 EP 2821356 1/2015
 EP 2878215 6/2015
 EP 2885986 6/2015
 EP 3009019 4/2016
 WO WO 1995/001108 1/1995
 WO WO 1995/010952 4/1995
 WO WO 1996/009230 3/1996
 WO WO 1997/014322 4/1997
 WO WO 1997/028706 8/1997
 WO WO 1998/007338 2/1998
 WO WO 1998/026676 6/1998
 WO WO 1998/026677 6/1998
 WO WO 1998/050288 11/1998
 WO WO 1998/054060 12/1998
 WO WO 1999/065320 12/1999
 WO WO 2000/002464 1/2000
 WO WO 2000/005151 2/2000
 WO WO 2000/007467 2/2000
 WO WO 2000/040465 7/2000
 WO WO 2000/051912 9/2000
 WO WO 2000/065939 11/2000
 WO WO 2001/022839 4/2001
 WO WO 2001/054520 8/2001
 WO WO 2001/087738 11/2001
 WO WO 2001/093705 12/2001
 WO WO 2002/018236 3/2002
 WO WO 2006/029723 3/2006
 WO WO 2008/064463 6/2008
 WO WO 2008/122589 10/2008
 WO WO 2011/003525 1/2011
 WO WO 2011/054650 5/2011
 WO WO 2011/060930 5/2011
 WO WO 2011/060931 5/2011
 WO WO 2011/064351 6/2011
 WO WO 2012/016641 2/2012
 WO WO 2012/119607 9/2012
 WO WO 2012/119611 9/2012
 WO WO 2012/160369 11/2012
 WO WO 2013/016846 2/2013
 WO WO 2013/155645 10/2013

(56)

References Cited

FOREIGN PATENT DOCUMENTS

WO	WO 2013/159245	10/2013
WO	WO 2014/194972	12/2014
WO	WO 2014/205456	12/2014
WO	WO 2015/000798	1/2015
WO	WO 2015/014704	2/2015
WO	WO 2015/018479	2/2015
WO	WO 2015/049046	4/2015
WO	WO 2015/090490	6/2015
WO	WO 2015/131991	9/2015
WO	WO 2015/161459	10/2015
WO	WO 2015/173105	11/2015
WO	WO 2015/197165	12/2015
WO	WO 2016/008150	1/2016
WO	WO 2016/023651	2/2016
WO	WO 2016/029225	2/2016
WO	WO 2016/040575	3/2016
WO	WO 2016/046116	3/2016
WO	WO 2016/054580	4/2016
WO	WO 2016/058992	4/2016
WO	WO 2016/059000	4/2016
WO	WO 2016/059003	4/2016

OTHER PUBLICATIONS

Cue Vapor by Digirette. found online [Mar. 2, 2017] <https://www.cuevapor.com/cue-vapor-system/>.

ISR received in PCT Application No. PCT/US2015/053836 dated Dec. 22, 2015.

* cited by examiner

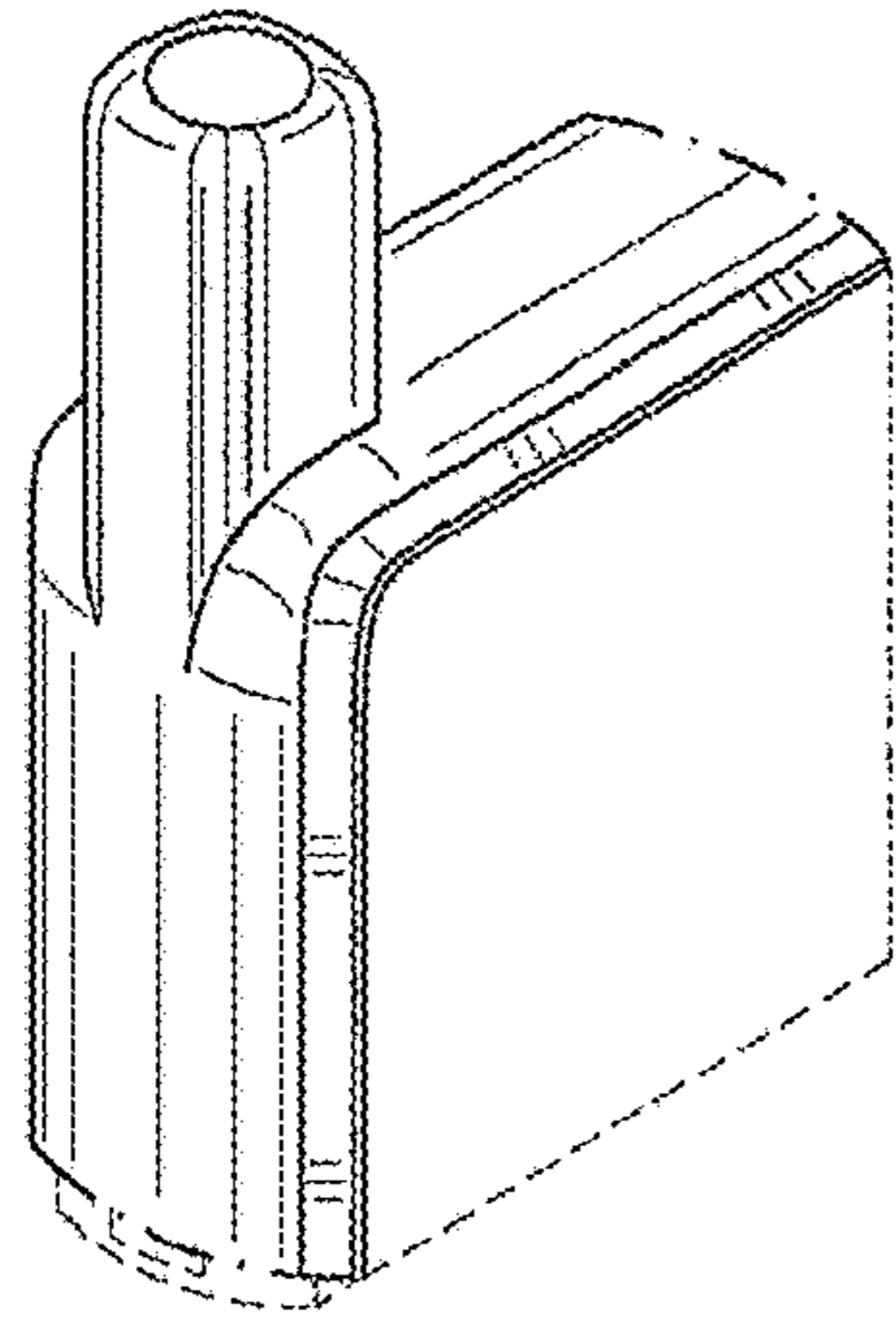


FIG. 1

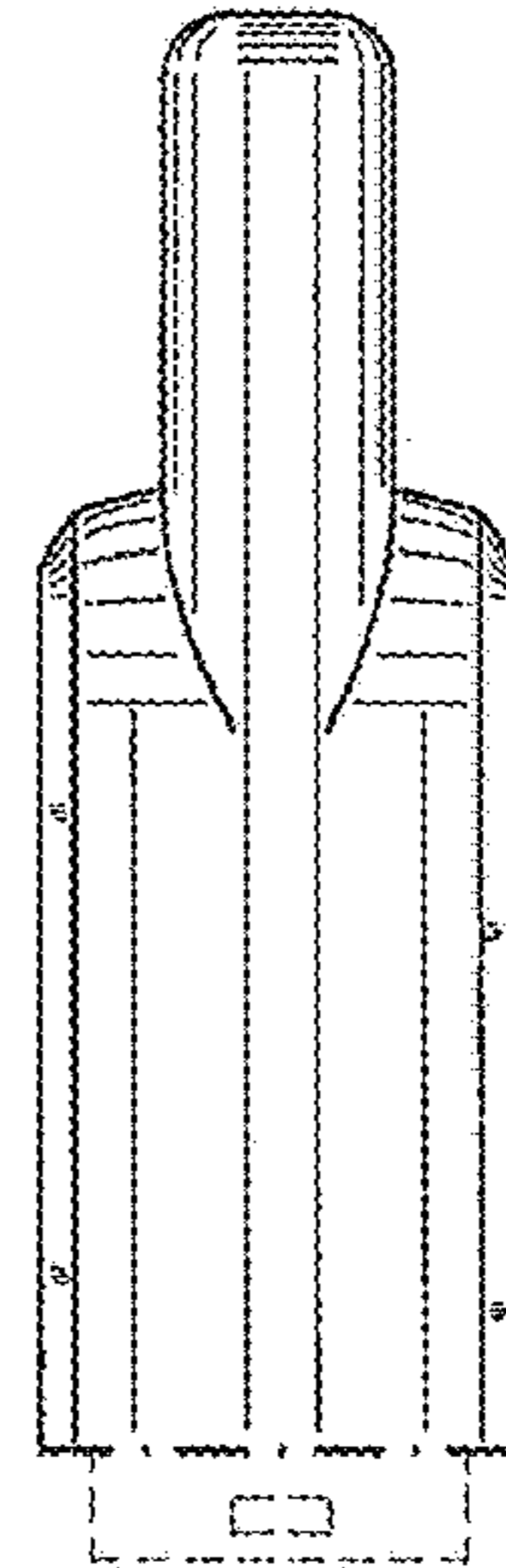


FIG. 2

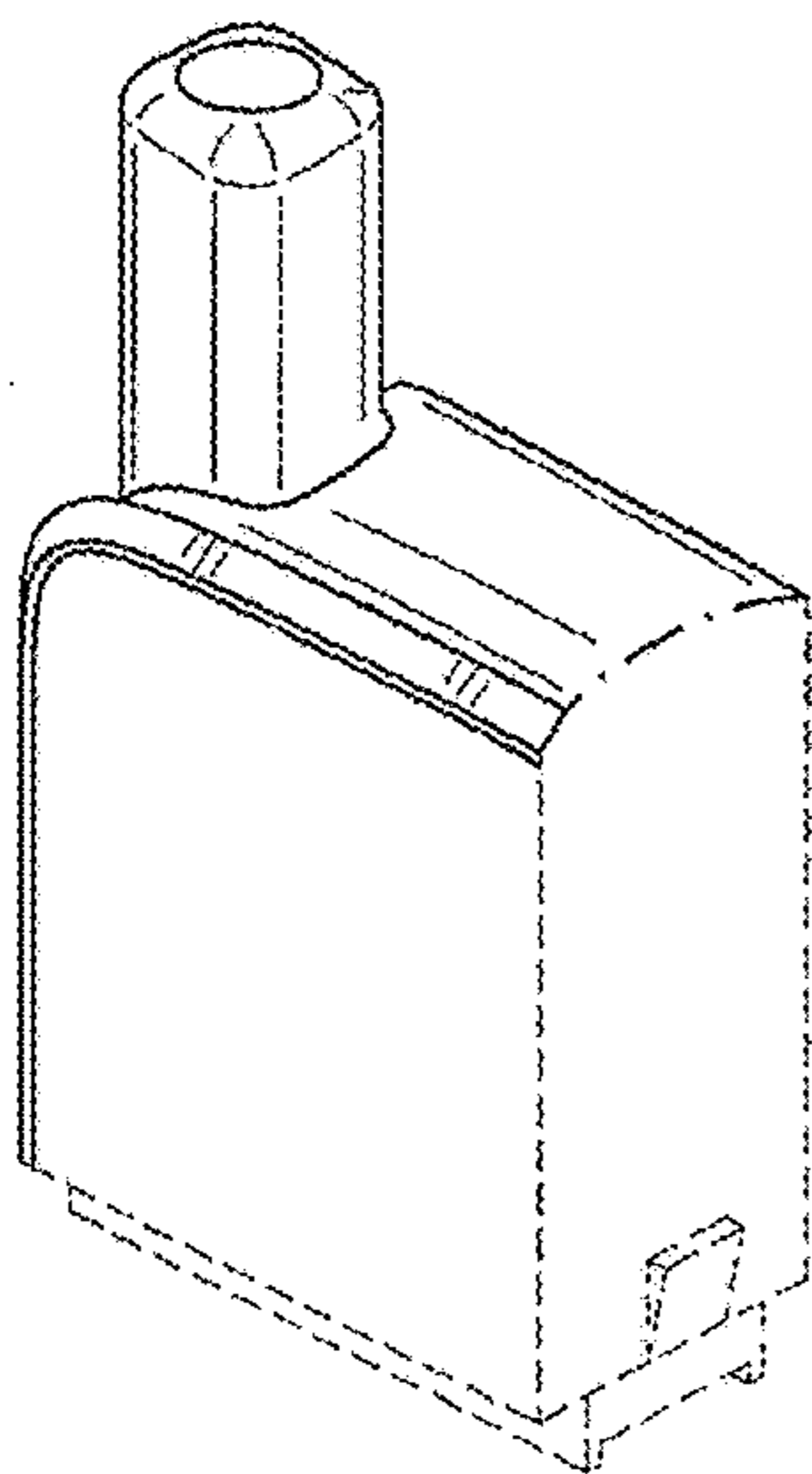


FIG. 3



FIG. 4

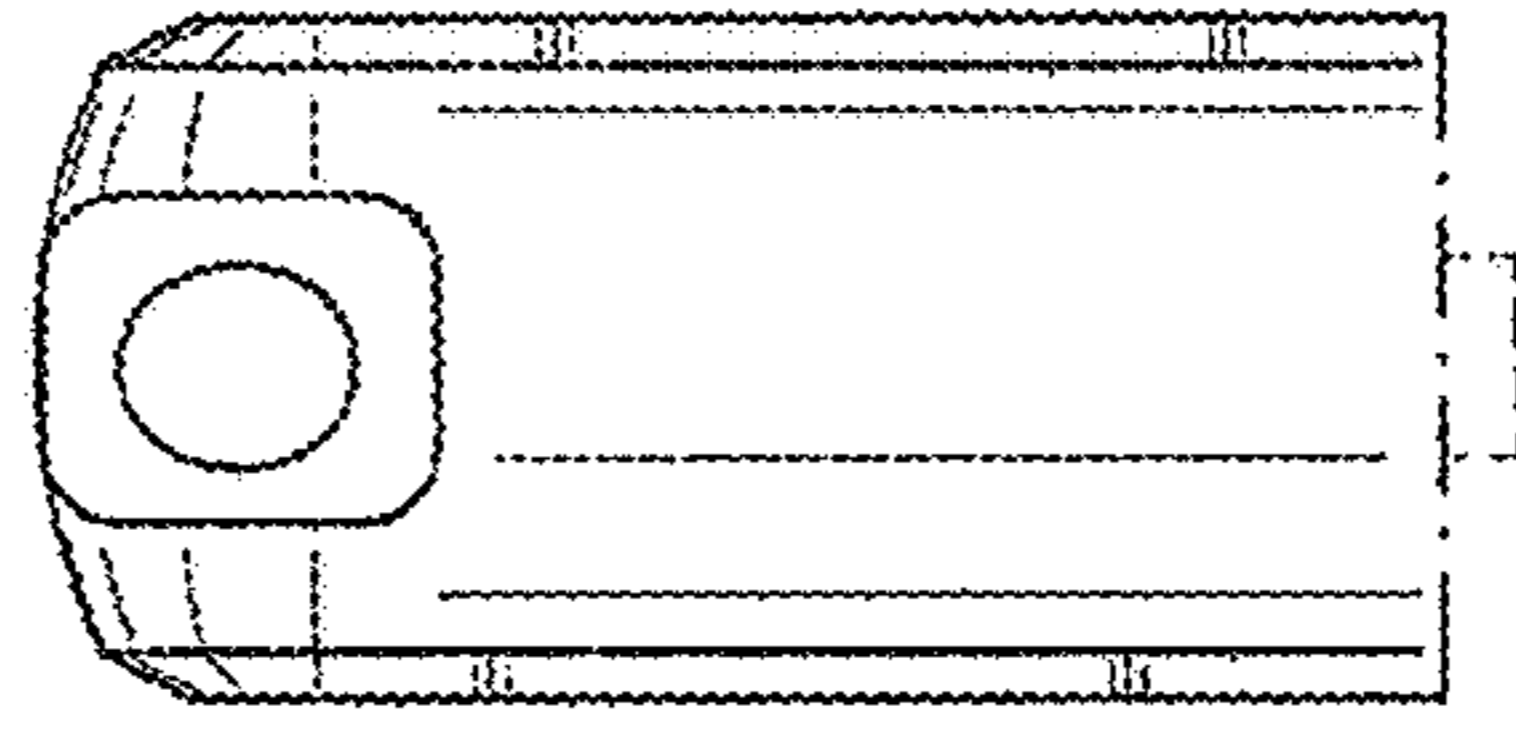


FIG. 5

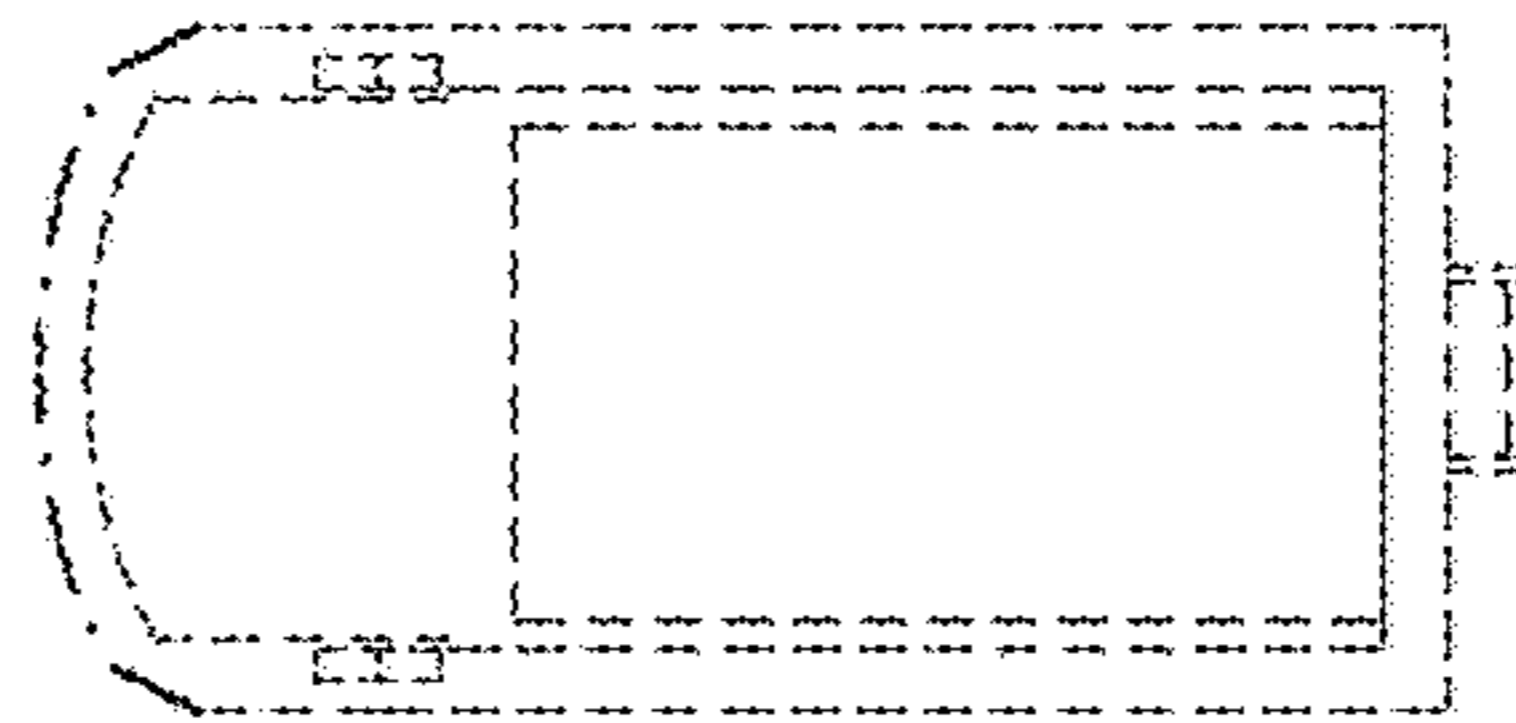


FIG. 6

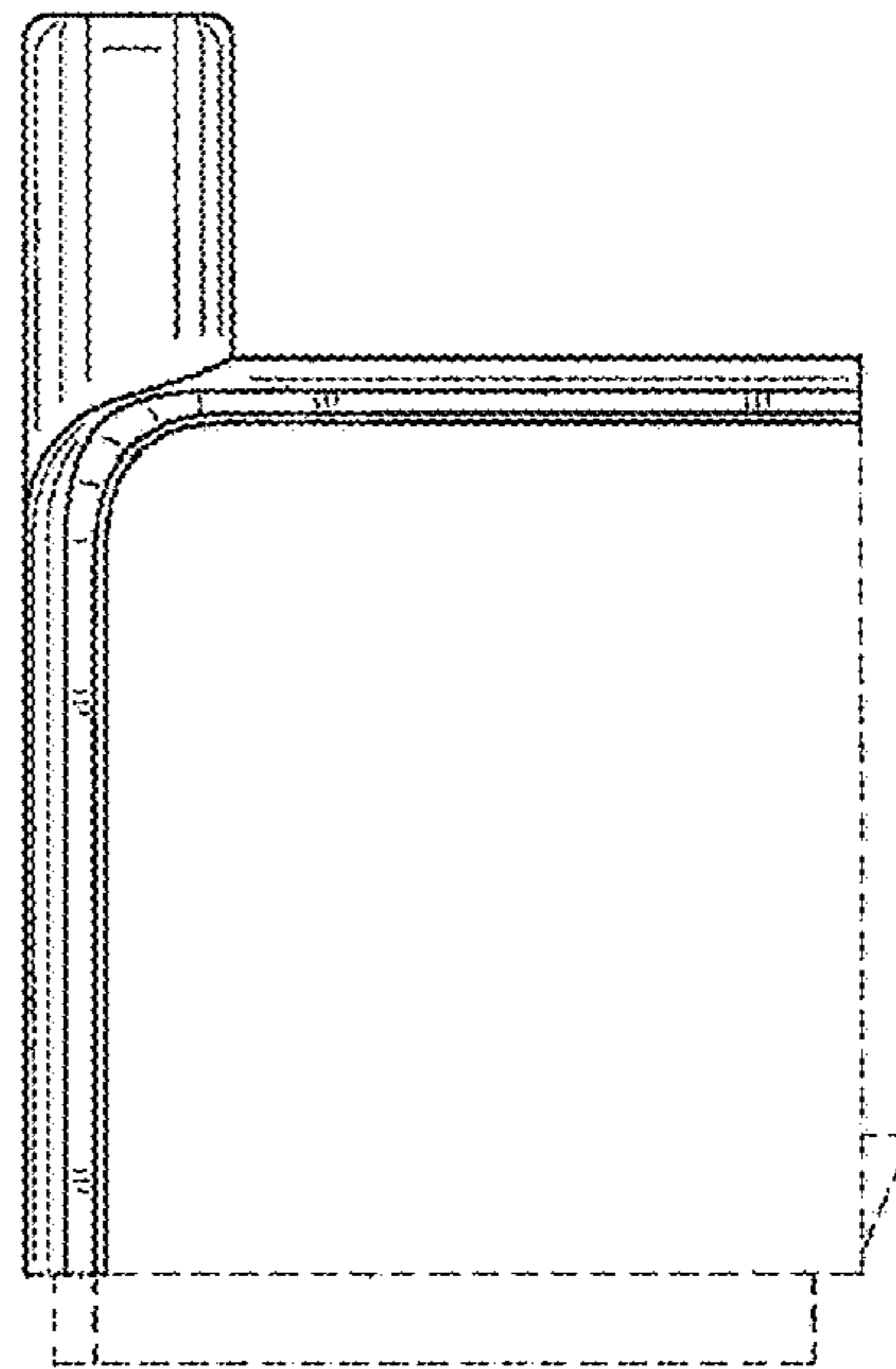


FIG. 7