



US00D863672S

(12) **United States Design Patent** (10) **Patent No.:** **US D863,672 S**
Liu (45) **Date of Patent:** **** Oct. 15, 2019**

(54) **ELECTRONIC CIGARETTE**
(71) Applicant: **Tuanfang Liu**, Shenzhen (CN)
(72) Inventor: **Tuanfang Liu**, Shenzhen (CN)
(**) Term: **15 Years**
(21) Appl. No.: **29/640,664**
(22) Filed: **Mar. 16, 2018**
(30) **Foreign Application Priority Data**
Jan. 9, 2018 (CN) 2018 3 0007628
(51) **LOC (12) Cl.** **27-02**
(52) **U.S. Cl.**
USPC **D27/162**
(58) **Field of Classification Search**
USPC D27/100, 101, 139-161, 162-194;
D23/366; D7/416; D24/110; D19/101,
D19/106, 115, 165, 195; D14/435.1;
D13/108
CPC A24F 47/008; A24F 47/002; A24F 7/00;
A24F 15/12
See application file for complete search history.

D792,020 S * 7/2017 Mendoza D27/101
D800,377 S * 10/2017 Liu D27/101
D802,834 S * 11/2017 Mathias D27/163
D807,576 S * 1/2018 Liu D27/163
D809,191 S * 1/2018 Li D27/101
D809,192 S * 1/2018 Liu D27/163
9,867,399 B1 * 1/2018 Liu A24F 47/008
D814,693 S * 4/2018 Qiu D27/101
D819,880 S * 6/2018 Qiu D27/101
D821,639 S * 6/2018 Dai D27/162
D827,921 S * 9/2018 Miller D27/101
D828,621 S * 9/2018 Qiu D27/162
D828,622 S * 9/2018 Chen D27/162
D828,953 S * 9/2018 Chen D27/167
D831,269 S * 10/2018 Qiu D27/162
D831,270 S * 10/2018 Qiu D27/162
D835,840 S * 12/2018 Liu D27/162
D835,857 S * 12/2018 Benacquisto D30/158
2015/0136124 A1 * 5/2015 Aronie A24F 47/008
128/202.21

(Continued)

Primary Examiner — Marissa J Cash
(74) *Attorney, Agent, or Firm* — Matthias Scholl P.C.;
Matthias Scholl

(57) **CLAIM**

The ornamental design for an electronic cigarette, as shown and described.

DESCRIPTION

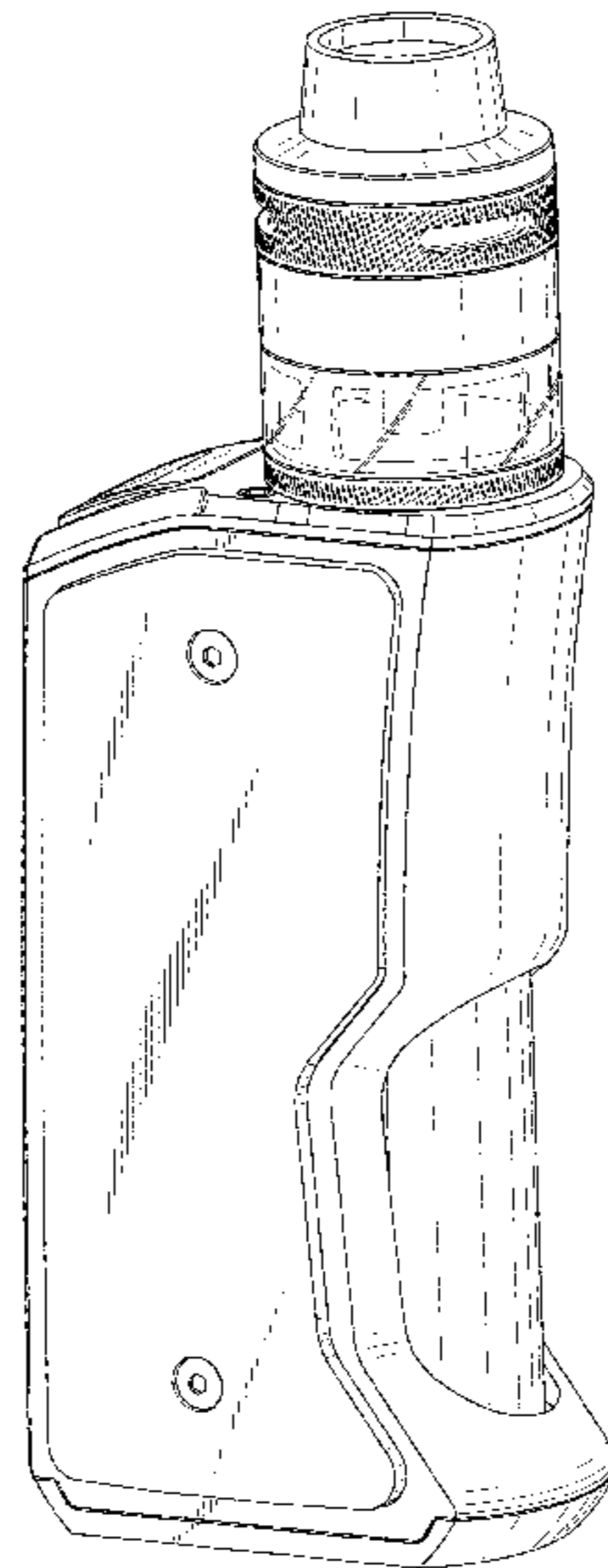
FIG. 1 is a front elevation view of an electronic cigarette;
FIG. 2 is a rear elevation view thereof;
FIG. 3 is a left-side elevation view thereof;
FIG. 4 is a right-side elevation view thereof;
FIG. 5 is a top plan view thereof;
FIG. 6 is a bottom plan view thereof;
FIG. 7 is a perspective view thereof; and,
FIG. 8 is a bottom perspective view thereof.
The portions of the article shown in broken lines form no part of the claimed design.

1 Claim, 8 Drawing Sheets

(56) **References Cited**

U.S. PATENT DOCUMENTS

D743,099 S * 11/2015 Oglesby D27/101
D753,336 S * 4/2016 Chen D27/101
D753,338 S * 4/2016 Chen D27/162
D758,655 S * 6/2016 Freshwater D27/163
D758,656 S * 6/2016 Freshwater D27/163
D760,429 S * 6/2016 Emarlou D27/163
D769,520 S * 10/2016 Hua D27/167
D771,867 S * 11/2016 Leidel D27/163
D773,114 S * 11/2016 Leidel D27/163
D775,414 S * 12/2016 Ampolini D13/108
D775,762 S * 1/2017 Chen D27/101
D790,766 S * 6/2017 Li D27/163



(56)

References Cited

U.S. PATENT DOCUMENTS

2016/0353800 A1* 12/2016 Di Carlo A24F 47/008
2017/0042228 A1* 2/2017 Liu A24F 47/008
2017/0311646 A1* 11/2017 Liu A24F 47/008
2017/0354182 A1* 12/2017 Liu A24F 47/008
2018/0110943 A1* 4/2018 Raichman A61K 9/007
2018/0160739 A1* 6/2018 Chen H01H 9/20
2018/0166238 A1* 6/2018 Chen A24F 47/00
2018/0256835 A1* 9/2018 Fornarelli A61M 15/06

* cited by examiner

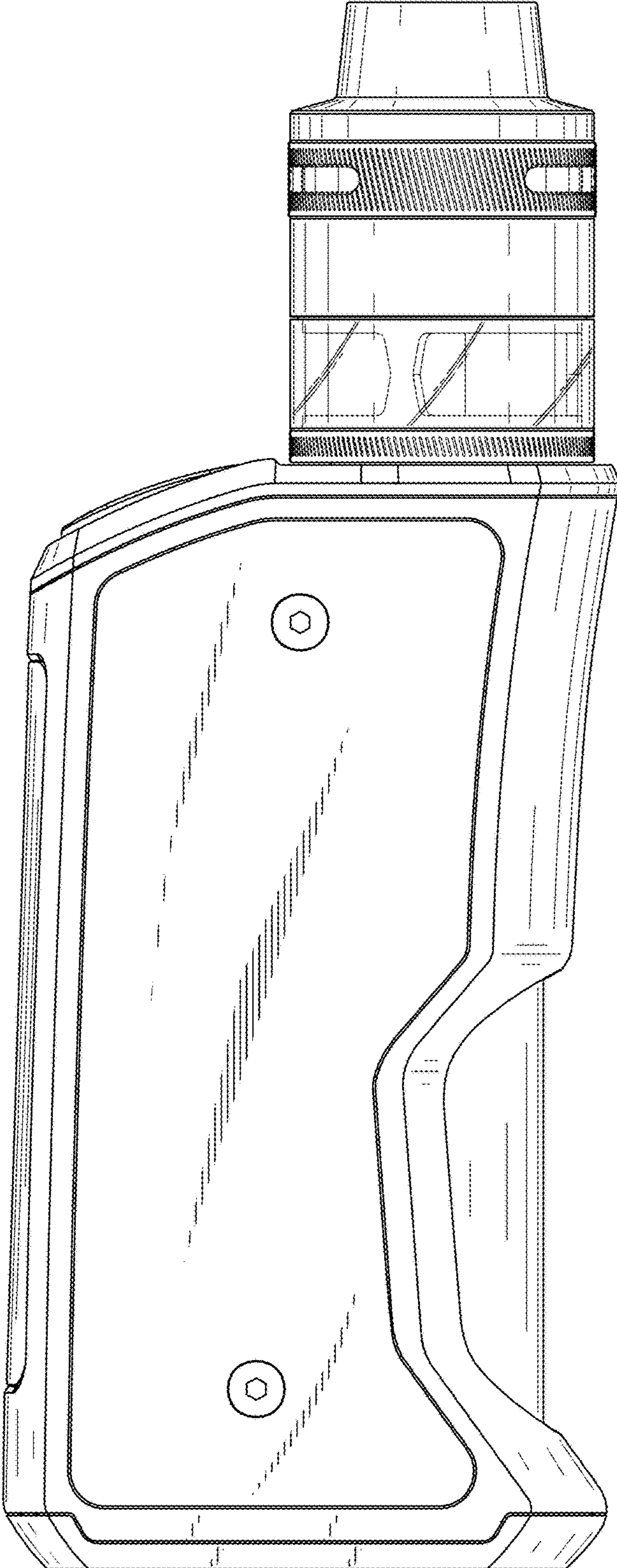


FIG. 1

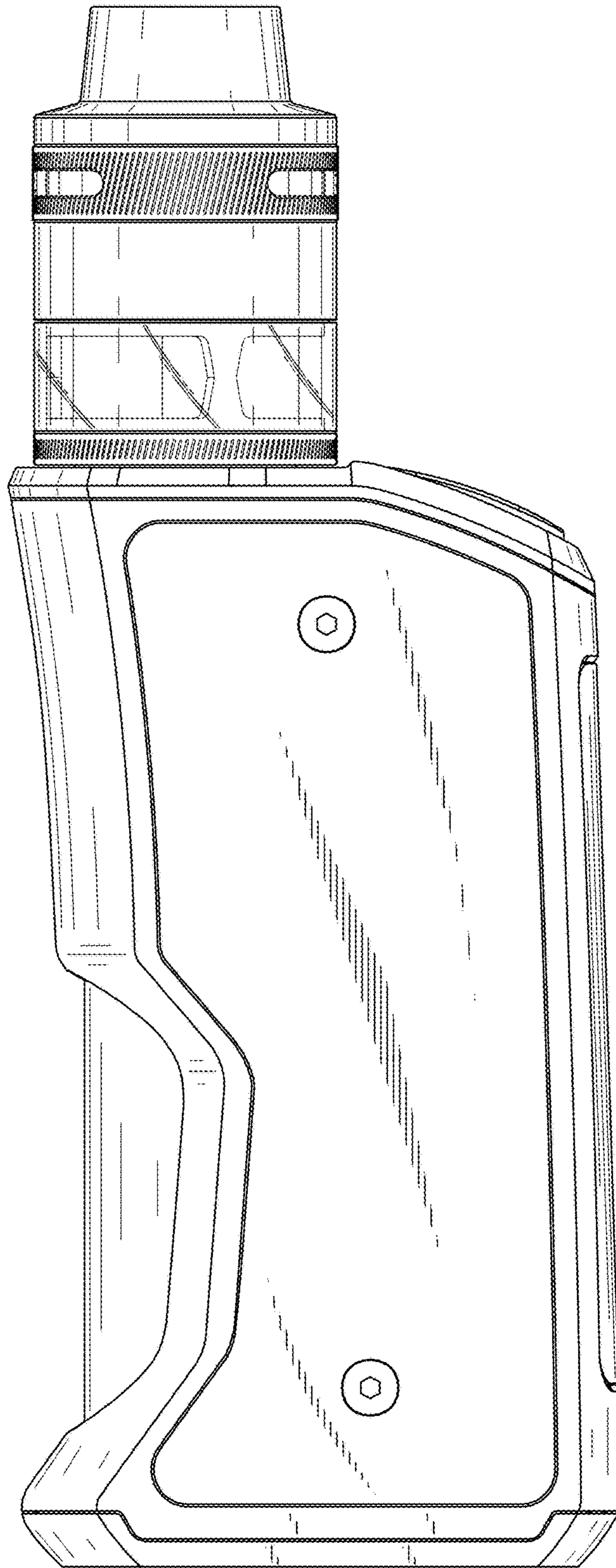


FIG. 2

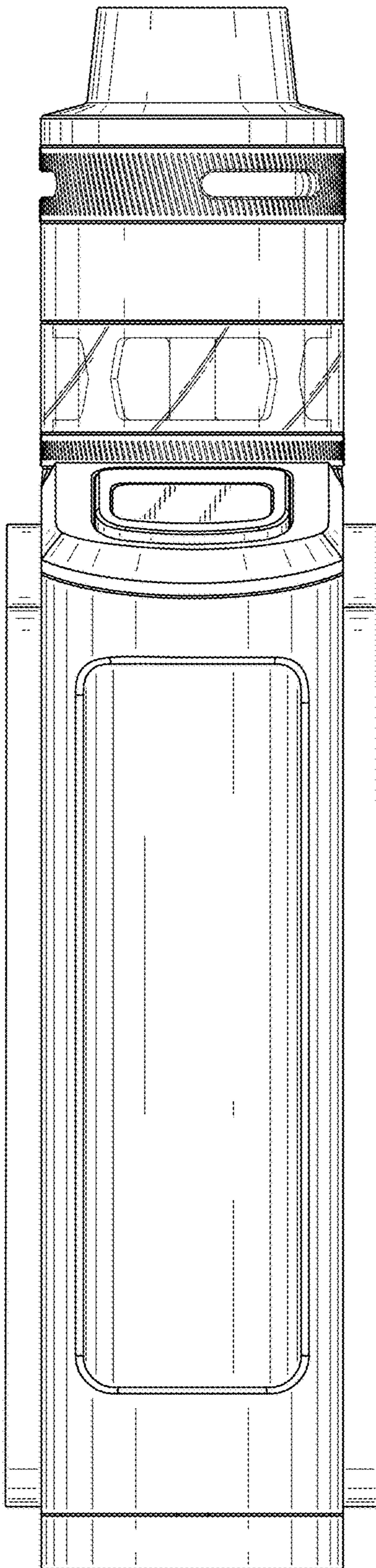


FIG. 3

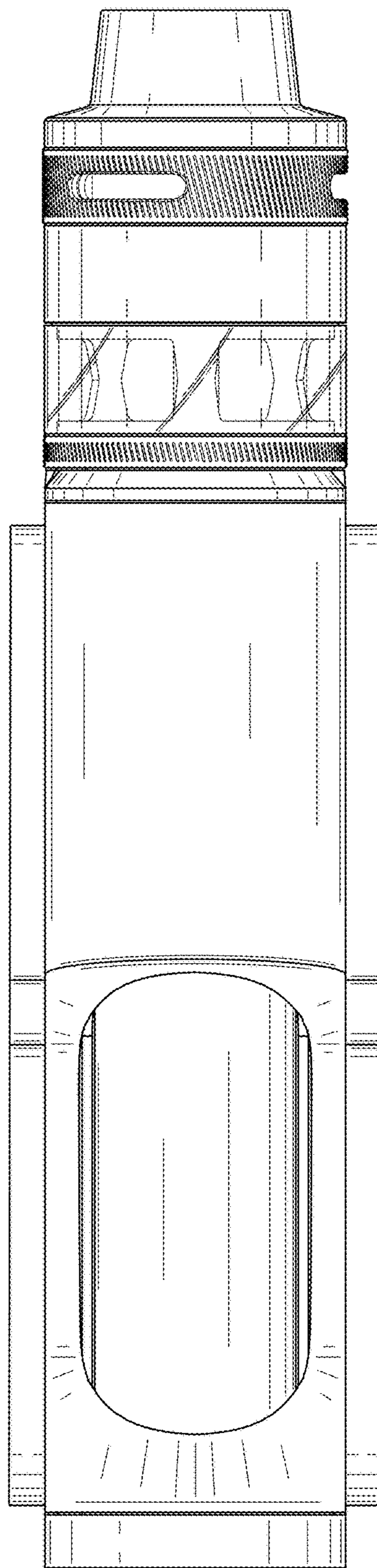


FIG. 4

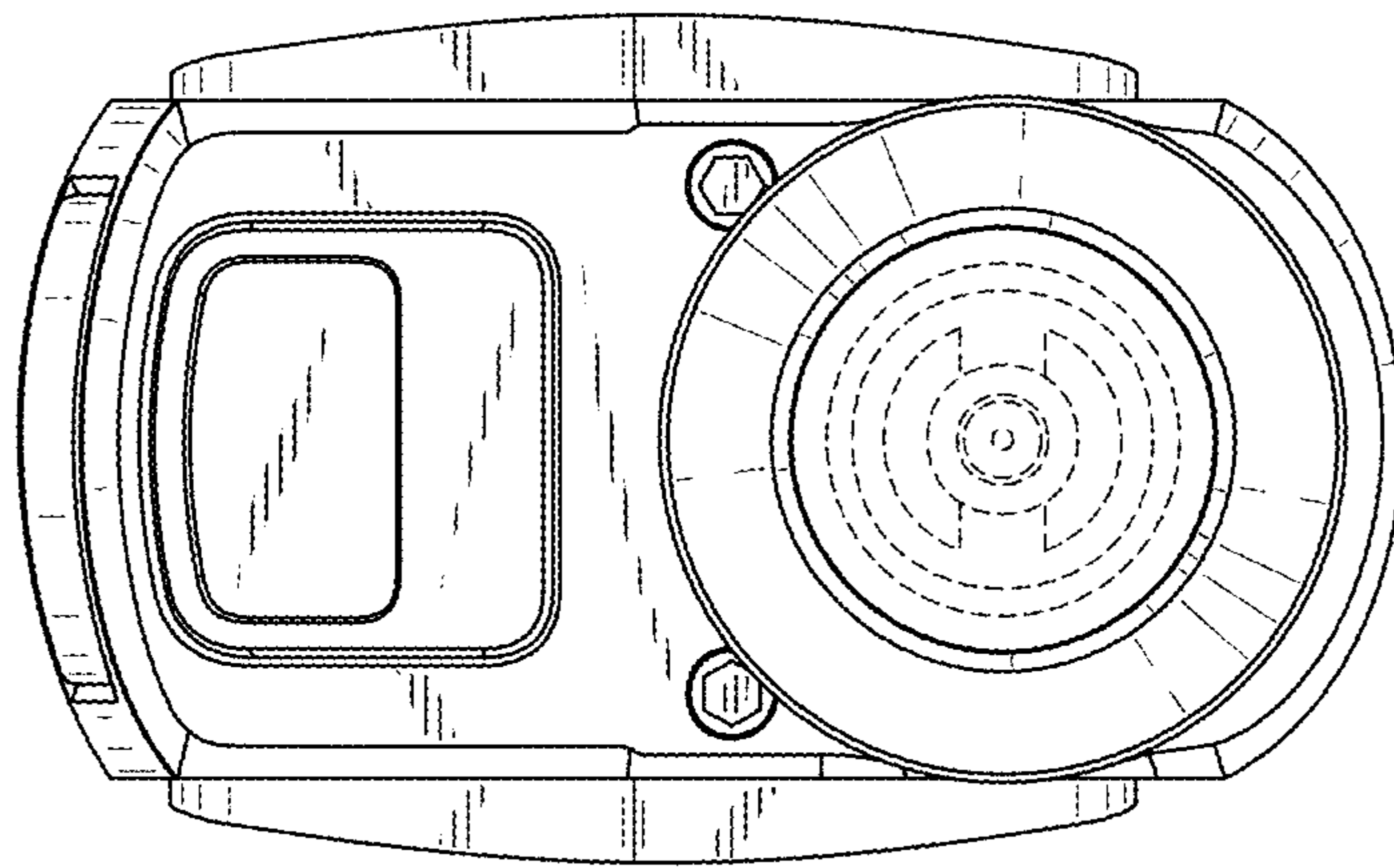


FIG. 5

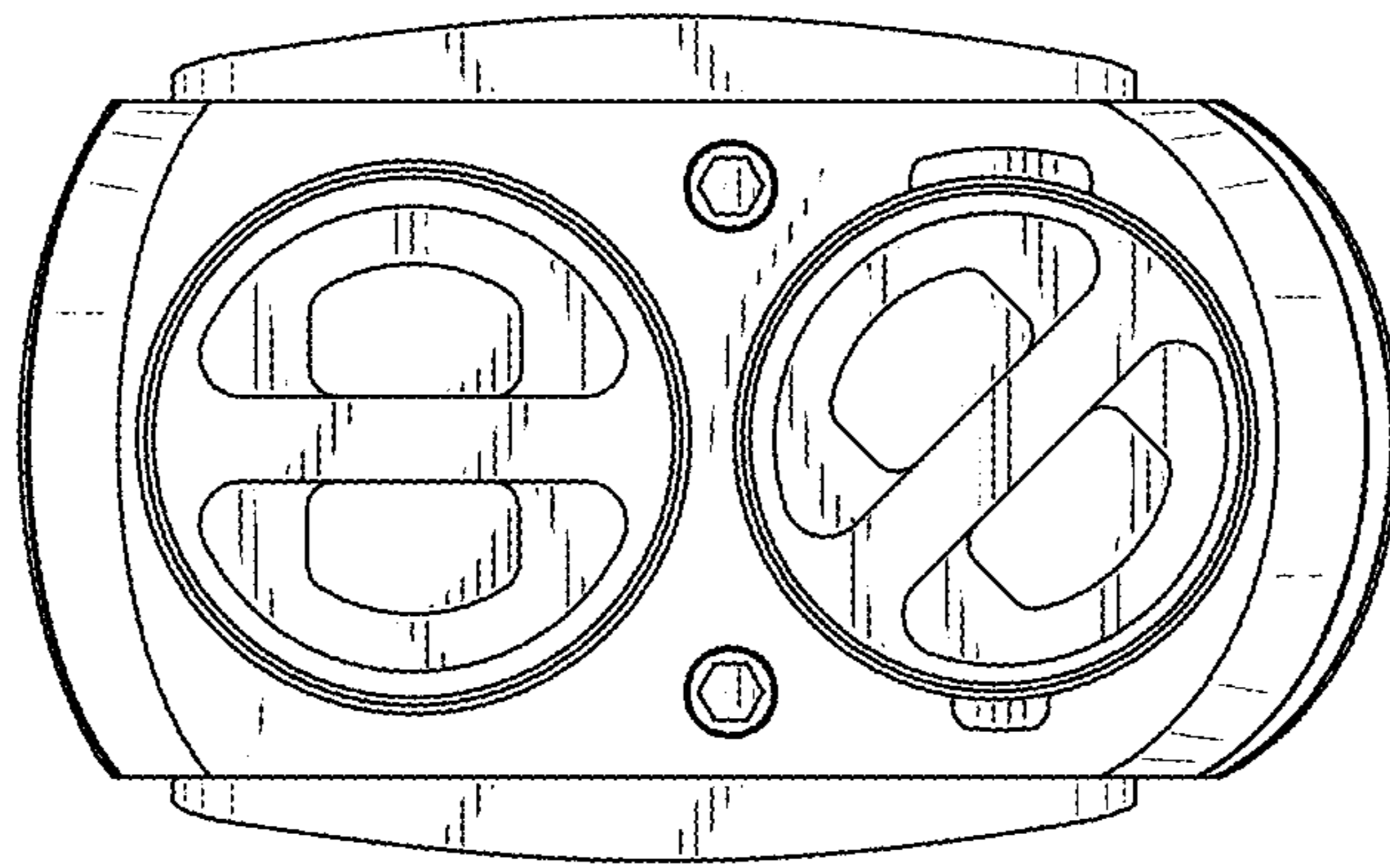


FIG. 6

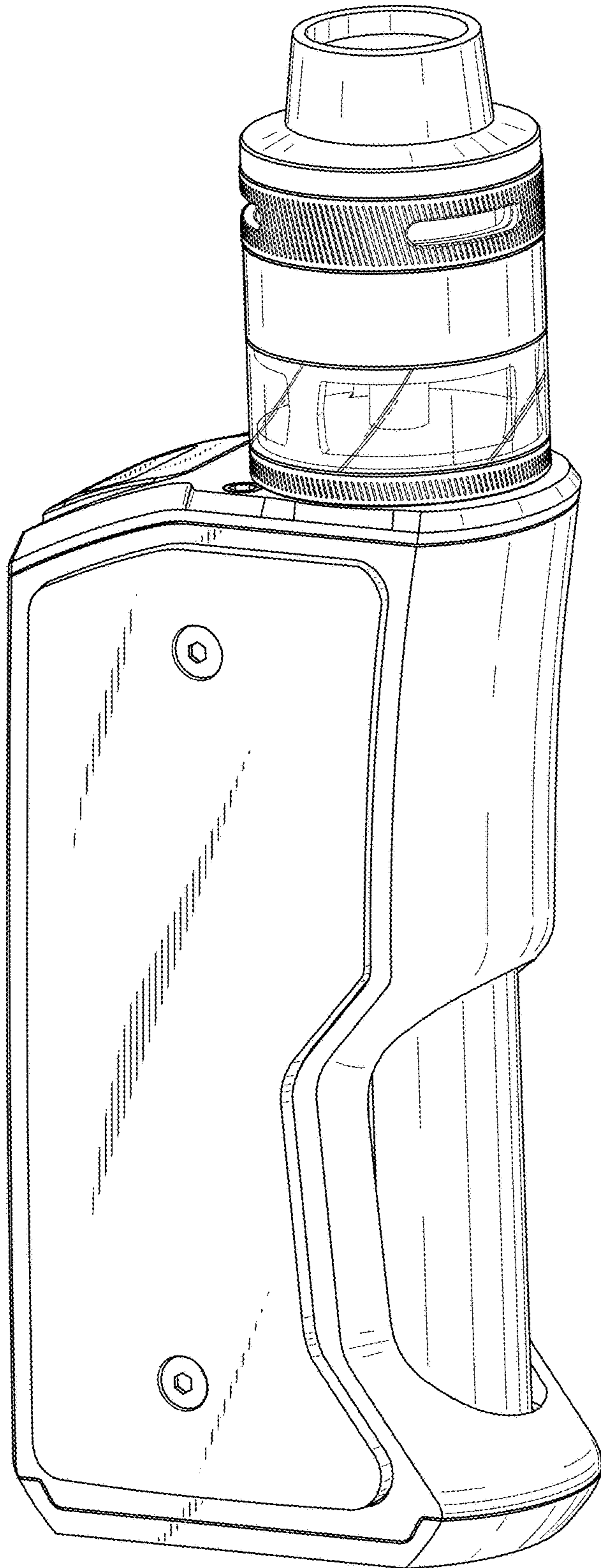


FIG. 7

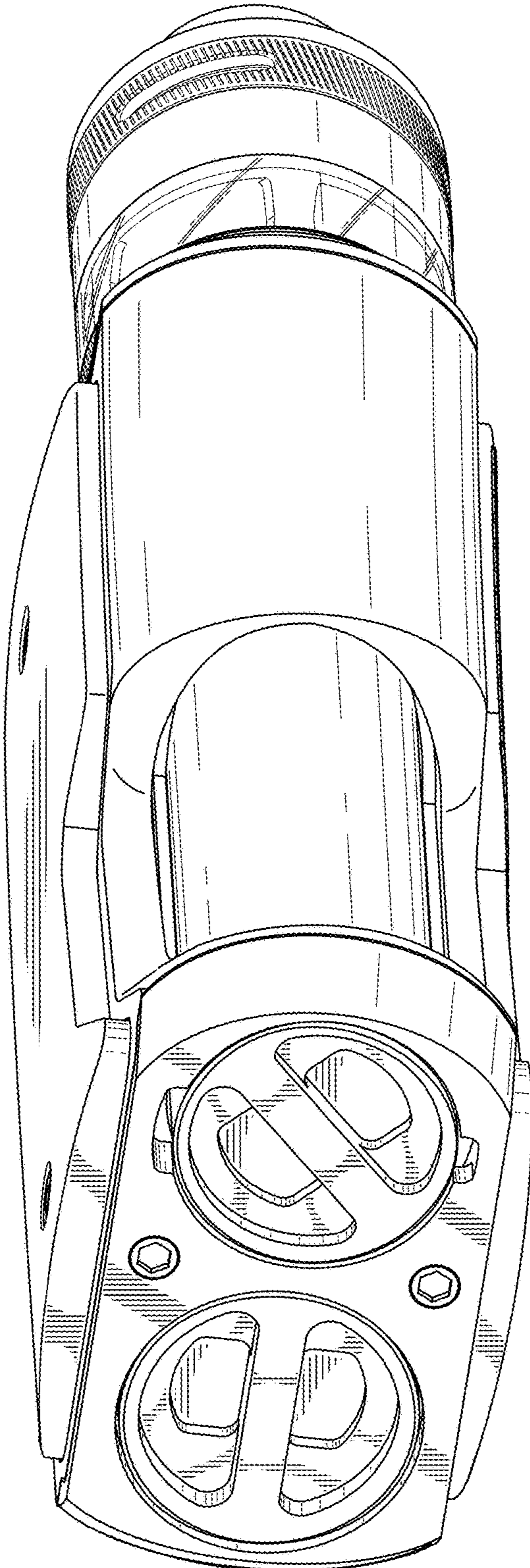


FIG. 8