



US00D863671S

(12) **United States Design Patent** (10) **Patent No.:** **US D863,671 S**
Reimann (45) **Date of Patent:** **** Oct. 15, 2019**

(54) **WATER PIPE**

FOREIGN PATENT DOCUMENTS

(71) Applicant: **William James Reimann**, Boise, ID
(US)

CN 201640446 11/2010
CN 203087516 7/2013

(Continued)

(72) Inventor: **William James Reimann**, Boise, ID
(US)

OTHER PUBLICATIONS

(**) Term: **15 Years**

Grav Labs, Catalog download, "44MM Grav Labs Flare Base Water Pipe With Honeycomb Disc", Aug. 10, 2016, 2 pages.

(21) Appl. No.: **29/629,310**

(Continued)

(22) Filed: **Dec. 12, 2017**

Primary Examiner — Marissa J Cash

(74) *Attorney, Agent, or Firm* — Parsons Behle & Latimer

Related U.S. Application Data

(63) Continuation-in-part of application No. 15/257,718, filed on Sep. 6, 2016, now abandoned, which is a continuation-in-part of application No. 14/877,138, filed on Oct. 7, 2015, now Pat. No. 9,854,834.

(57) **CLAIM**

The ornamental design for a water pipe, as shown.

(51) **LOC (12) Cl.** **27-02**

(52) **U.S. Cl.**
USPC **D27/162**

DESCRIPTION

(58) **Field of Classification Search**
USPC D27/100, 101, 139–161, 162–196;
D24/110; D23/366; D3/273; D9/455,
D9/456
CPC A24F 15/00; A24F 9/16; A24F 47/002;
A24F 1/00
See application file for complete search history.

FIG. 1 is a perspective view showing the back side of a water pipe embodying the new design;
FIG. 2 is a side elevation view showing the right side of a water pipe embodying the new design;
FIG. 3 is a side elevation view showing the left side thereof;
FIG. 4 is a side elevation view showing the front side thereof;
FIG. 5 is a side elevation view showing the rear side thereof;
FIG. 6 is a side elevation view showing the top side thereof;
and,
FIG. 7 is a side elevation view showing the bottom side thereof.

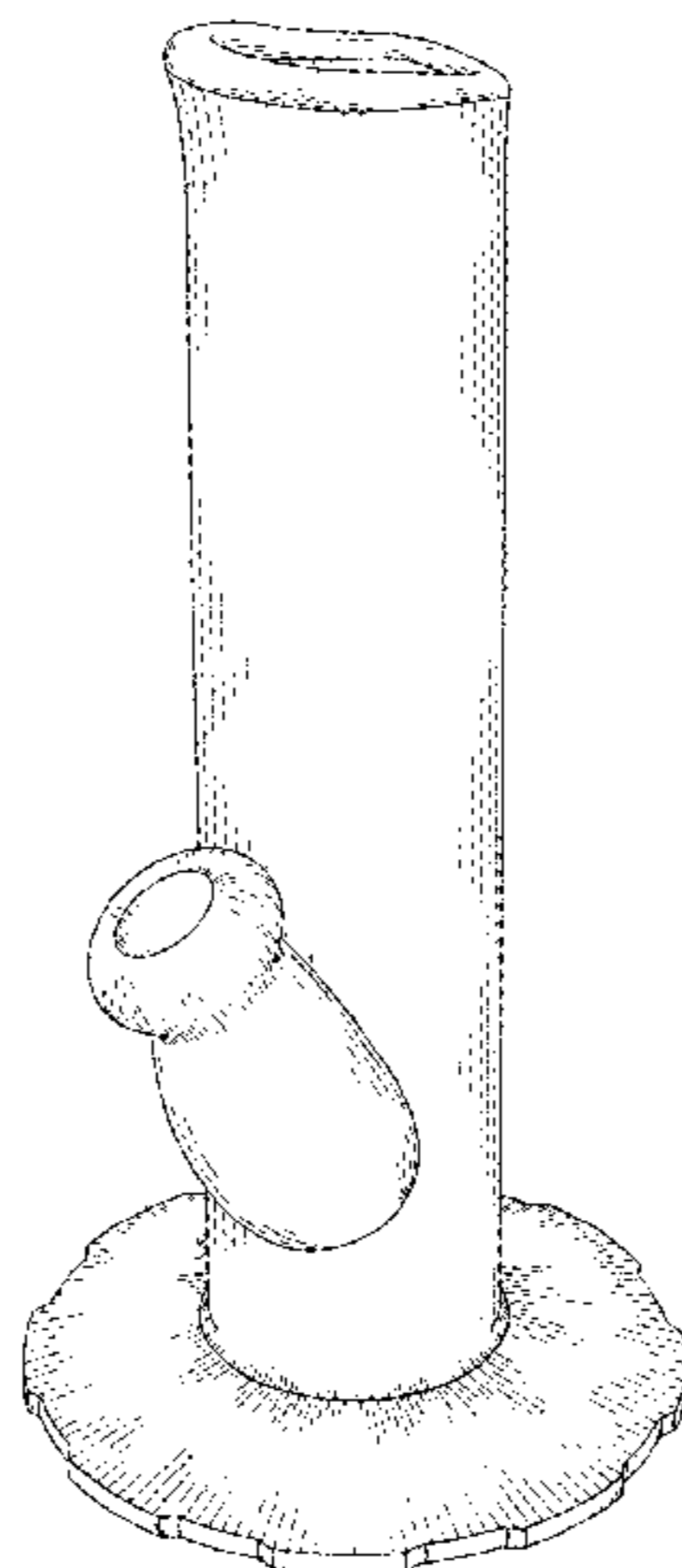
(56) **References Cited**

U.S. PATENT DOCUMENTS

373,559 A 11/1887 Kaldenberg
D231,640 S * 5/1974 Kahler D27/162
3,872,872 A 3/1975 Kahler
3,881,499 A 5/1975 McFadden et al.
3,882,875 A 5/1975 Frost
D244,473 S * 5/1977 Karl D27/162
4,020,853 A 5/1977 Nuttall
D246,602 S * 12/1977 Frost D27/170
(Continued)

In the drawings, the claimed design is defined by the shaded surfaces; broken lines immediately adjacent shaded surfaces represent boundaries of the claim and form no part thereof; all other broken lines depict portions of the water pipe that form no part of the claim.

1 Claim, 4 Drawing Sheets



(56)

References Cited

U.S. PATENT DOCUMENTS

D246,603 S * 12/1977 Frost D27/163
 D246,604 S * 12/1977 Frost D27/163
 D248,572 S * 7/1978 Graham D27/162
 D248,671 S * 7/1978 Graham D27/162
 D248,672 S * 7/1978 Graham D27/162
 D249,070 S * 8/1978 Evans D27/162
 D249,281 S * 9/1978 Graham D27/162
 D249,282 S * 9/1978 Nielsen D27/162
 4,241,741 A 12/1980 Cabados et al.
 4,253,475 A 3/1981 Schreiber et al.
 D265,595 S * 7/1982 Galanter D27/162
 4,357,948 A 11/1982 Schweitzer et al.
 D342,805 S * 12/1993 Heine D27/162
 D346,673 S * 5/1994 Newman D27/162
 D349,780 S * 8/1994 Heine D27/162
 D350,411 S * 9/1994 Heine D27/162
 D354,583 S * 1/1995 Newman D27/162
 D354,584 S * 1/1995 Newman D27/162
 D355,274 S * 2/1995 Newman D27/162
 D355,728 S * 2/1995 Newman D27/162
 D358,227 S * 5/1995 Heine D27/162
 D358,228 S * 5/1995 Heine D27/162
 D368,324 S * 3/1996 Heine D27/162
 D368,551 S * 4/1996 Richards D27/162
 D372,335 S * 7/1996 Clark D11/131.1
 D376,033 S * 11/1996 Heine D27/162
 D387,476 S * 12/1997 Chambers D27/162
 RE36,193 E * 4/1999 Newman A24F 1/30
 D27/162
 5,908,031 A * 6/1999 Clark A24F 1/30
 131/173
 5,967,147 A * 10/1999 Newman A24F 1/30
 131/173
 D442,327 S * 5/2001 Neason D27/162
 D443,950 S * 6/2001 Neason D27/162
 6,935,345 B2 8/2005 Carstens et al.
 D638,984 S * 5/2011 Gould D27/163
 D649,700 S * 11/2011 Mehio D27/162
 D649,702 S * 11/2011 Mehio D27/162
 8,469,225 B2 6/2013 Fredland
 D690,412 S * 9/2013 Spink D24/110
 8,534,295 B2 9/2013 Gonsalves
 8,550,091 B2 10/2013 Yomtov et al.

D701,599 S * 3/2014 Bengochea D24/110
 D722,720 S * 2/2015 Garbo D27/162
 D740,681 S * 10/2015 Hamilton D9/524
 D743,098 S * 11/2015 Hehir D27/163
 D806,945 S * 1/2018 Lepper D27/163
 D820,513 S * 6/2018 Camitta D27/162
 2003/0178035 A1 9/2003 Miller
 2007/0034219 A1 * 2/2007 Affinito A24F 1/30
 131/329
 2011/0005533 A1 * 1/2011 Evans B29C 33/00
 131/191
 2011/0079231 A1 4/2011 Borushek et al.
 2012/0180803 A1 7/2012 Beloni
 2013/0146070 A1 6/2013 Ross
 2013/0167852 A1 7/2013 Mcdonald
 2014/0026902 A1 1/2014 Dabes
 2014/0130812 A1 * 5/2014 Kling A24F 47/008
 131/173
 2014/0158143 A1 6/2014 Barrett
 2014/0224263 A1 8/2014 Wilson
 2014/0326256 A1 11/2014 Mckay
 2014/0360513 A1 12/2014 Morgan
 2015/0181931 A1 * 7/2015 Hoover A24F 9/14
 131/260
 2016/0015752 A1 6/2016 Alfawaz et al.
 2016/0295911 A1 * 10/2016 Kalousek A24F 1/30
 2017/0000186 A1 1/2017 Russell
 2017/0055579 A1 * 3/2017 Kuna A24F 47/008
 2017/0056607 A1 * 3/2017 Jones A61M 11/003
 2017/0099872 A1 * 4/2017 Reimann A24F 1/30
 2018/0199626 A1 * 7/2018 Cheng A24F 9/16

FOREIGN PATENT DOCUMENTS

CN 203986106 12/2014
 EP 0273770 7/1988

OTHER PUBLICATIONS

US Patent and Trademark Office; Office Action for U.S. Appl. No. 15/257,718 dated Oct. 5, 2017.

US Patent and Trademark Office; Office Action for U.S. Appl. No. 14/877,138 dated May 11, 2017.

* cited by examiner

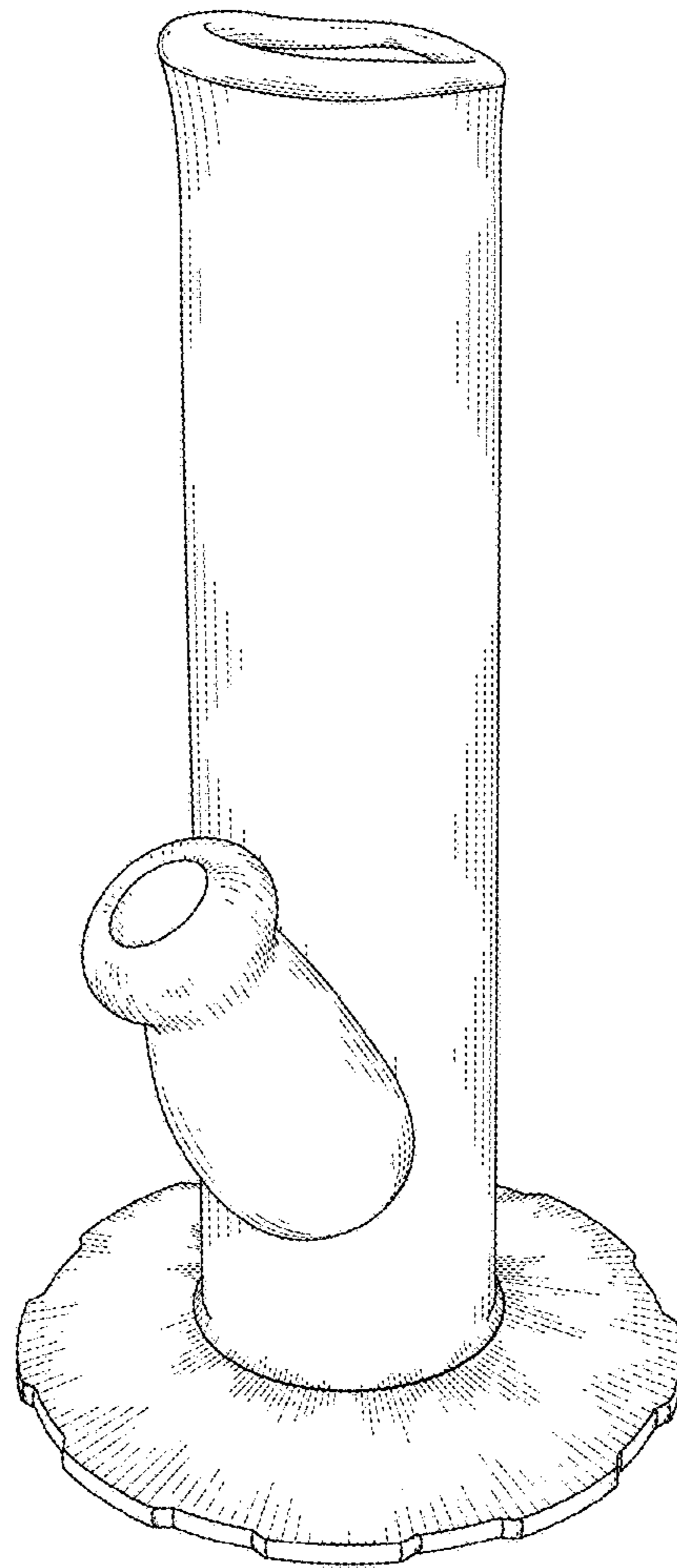


FIG. 1

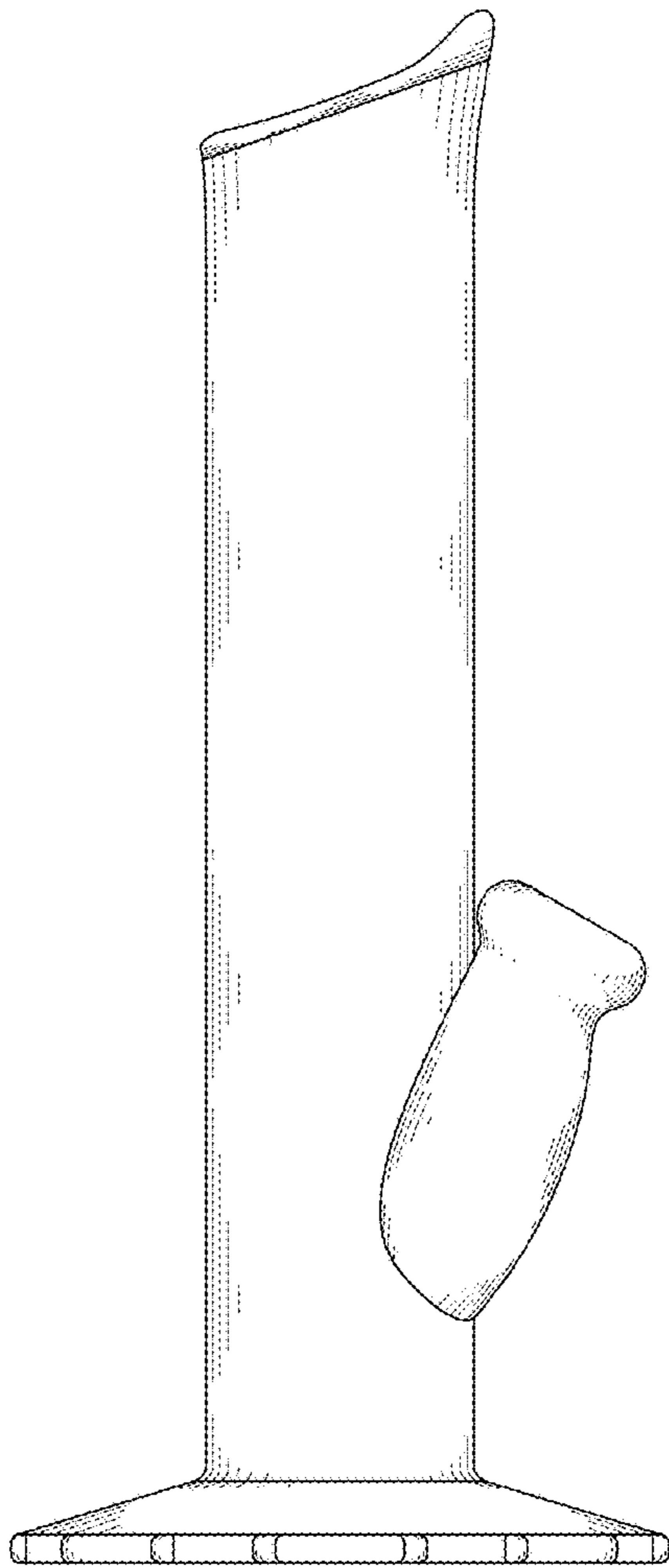


FIG. 2

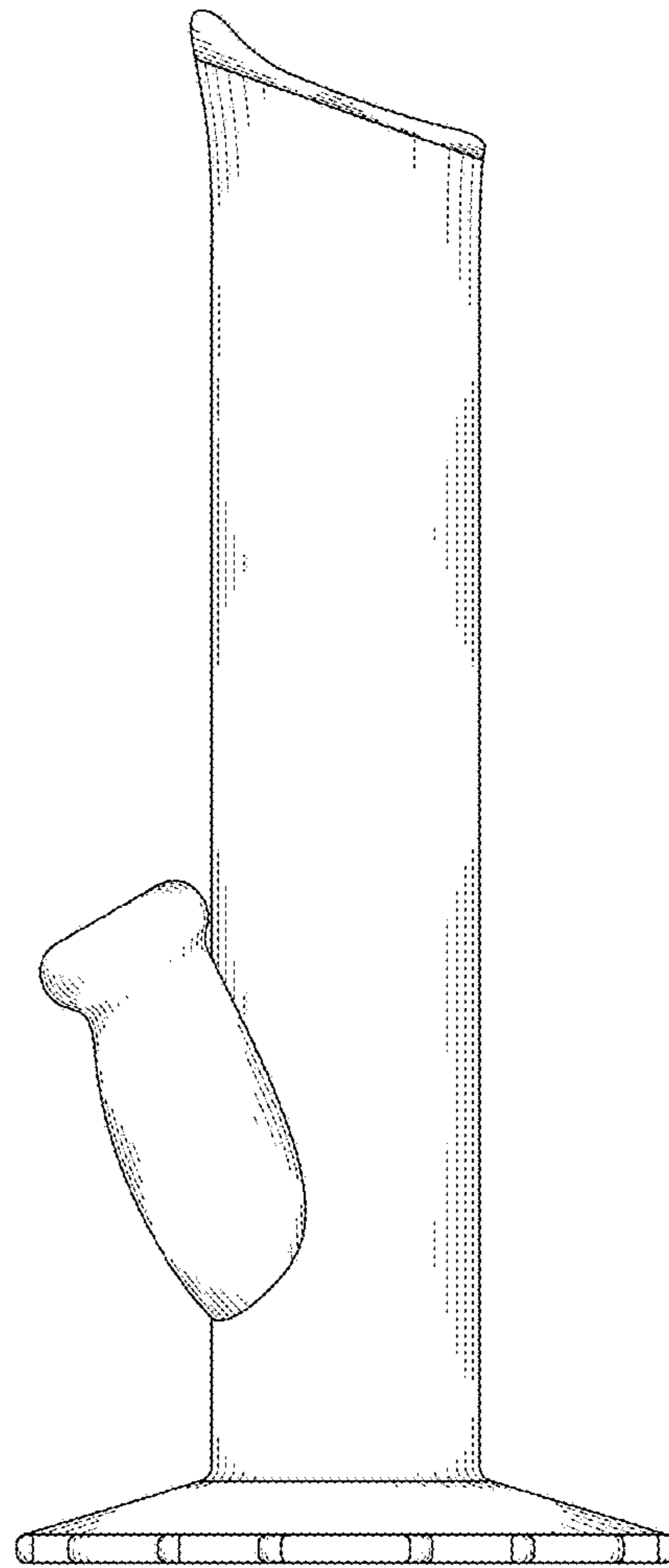


FIG. 3

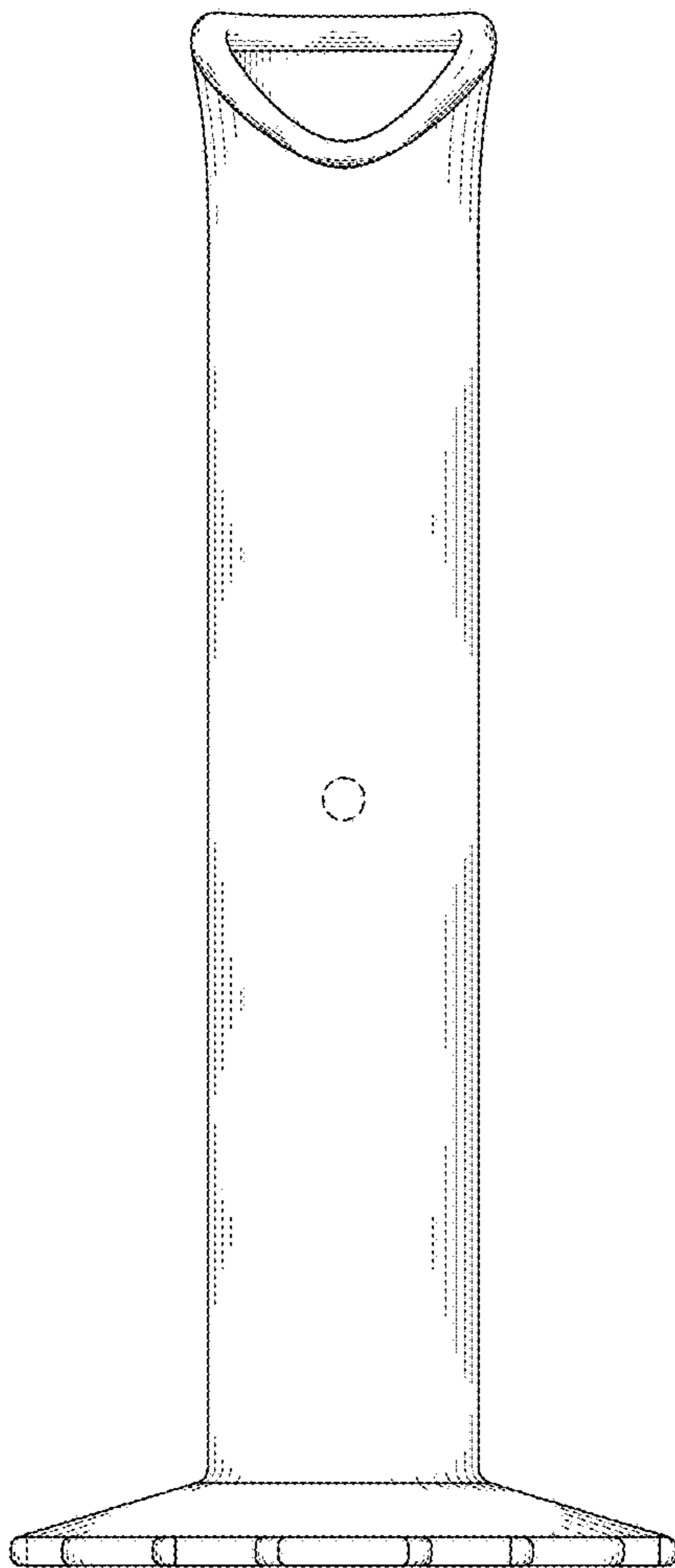


FIG. 4

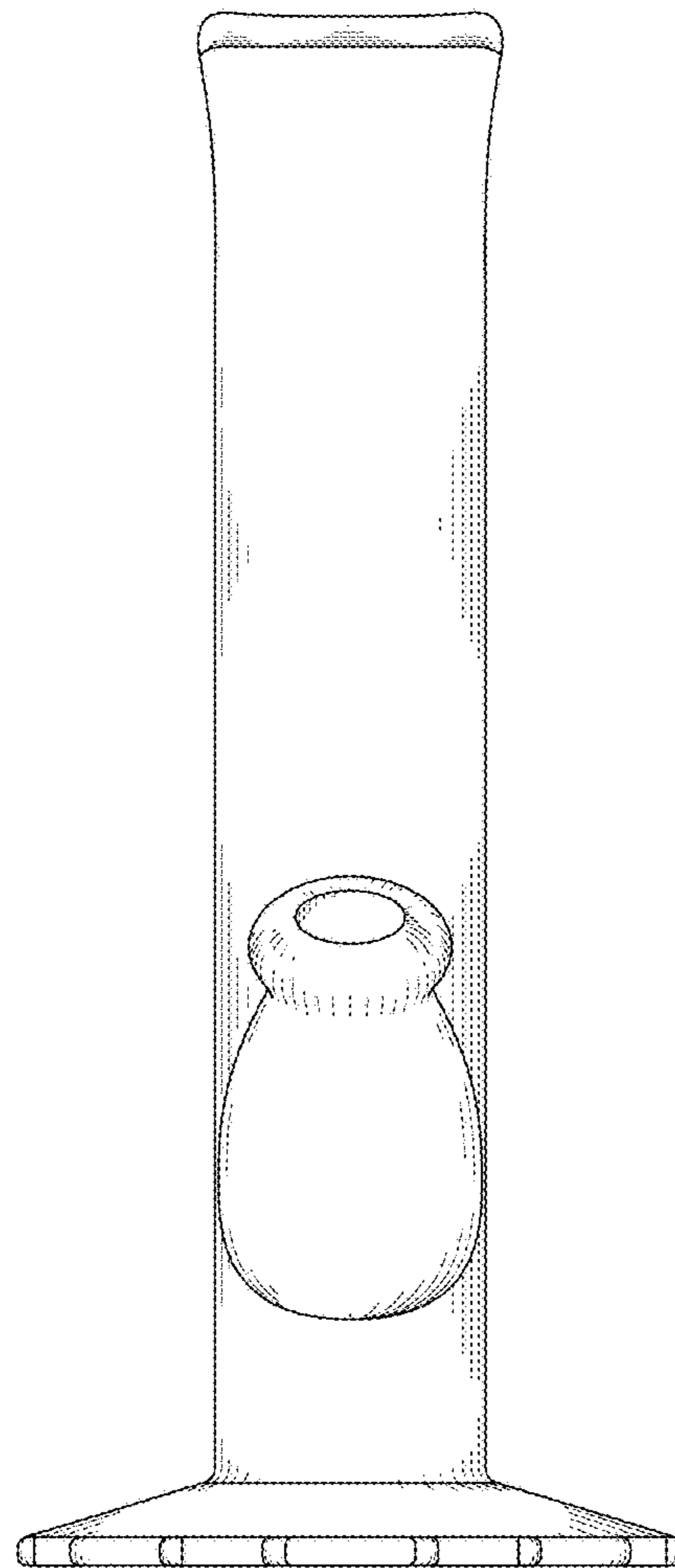


FIG. 5

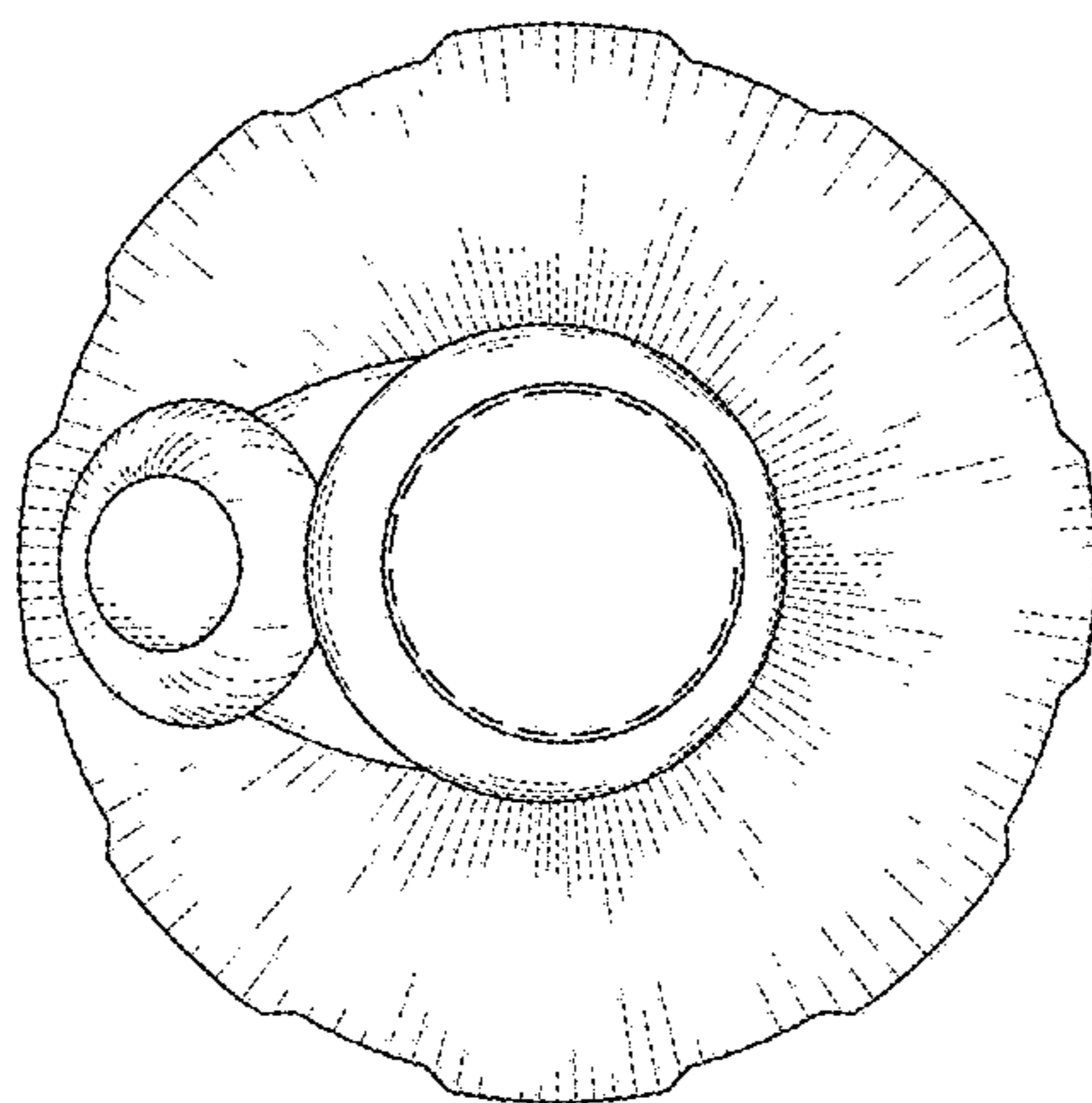


FIG. 6

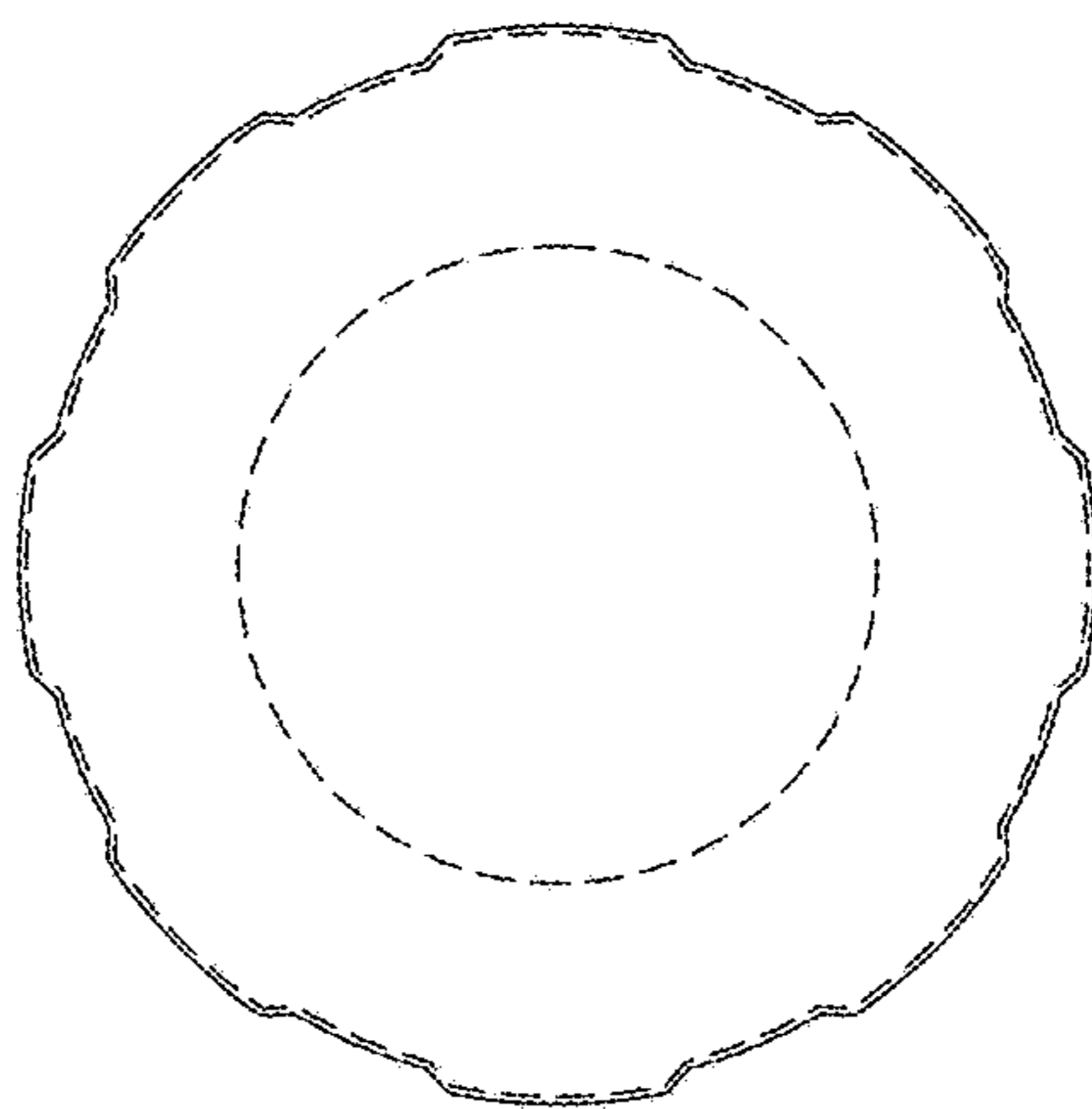


FIG. 7