



US00D863669S

(12) **United States Design Patent**
Payne

(10) **Patent No.:** **US D863,669 S**
(45) **Date of Patent:** **** Oct. 15, 2019**

(54) **LIGHTER**

(71) Applicant: **Knnox Pty Ltd**, Engadine NSW (AU)

(72) Inventor: **Charles Arthur Payne**, Redfern (AU)

(73) Assignee: **Knnox Pty Ltd**, Engadine (AU)

(**) Term: **15 Years**

(21) Appl. No.: **29/599,615**

(22) Filed: **Apr. 5, 2017**

(30) **Foreign Application Priority Data**

Mar. 15, 2017 (AU) 201711497

(51) **LOC (12) Cl.** **27-05**

(52) **U.S. Cl.**
USPC **D27/156**

(58) **Field of Classification Search**

USPC D27/156, 152, 153, 154, 157, 159, 160,
D27/139, 141, 142; 431/273, 274, 277,
431/350, 353

CPC F23Q 2/00; F23Q 2/02; F23Q 2/16; F23Q
2/161; F23Q 5/00

See application file for complete search history.

(56) **References Cited**

U.S. PATENT DOCUMENTS

D244,783 S * 6/1977 O'Brien D27/159
D314,837 S * 2/1991 Nitta D27/154
D320,467 S * 10/1991 Ichikawa D27/159
D339,209 S * 9/1993 Ichikawa D27/157
6,506,046 B1 * 1/2003 Luo F23Q 2/164
431/153
6,565,353 B2 * 5/2003 Yang F23Q 2/164
431/153

(Continued)

Primary Examiner — Manpreet S Matharu

Assistant Examiner — Rebecca Tsehaye

(74) *Attorney, Agent, or Firm* — Seed Intellectual
Property Law Group LLP

(57) **CLAIM**

The ornamental design for a lighter, as shown and described.

DESCRIPTION

FIG. 1 is a top front left side view of a lighter showing my new design in a closed configuration.

FIG. 2 is a top rear right side view of a lighter in a closed configuration showing a new design.

FIG. 3 is a top front right side view thereof.

FIG. 4 is a top rear left side view thereof.

FIG. 5 is a bottom front left side view thereof.

FIG. 6 is a bottom rear left side view thereof.

FIG. 7 is a bottom front right side view thereof.

FIG. 8 is a bottom rear right side view thereof.

FIG. 9 is a front view thereof.

FIG. 10 is a rear view thereof.

FIG. 11 is a left side view thereof.

FIG. 12 is a right side view thereof.

FIG. 13 is a top front left side view of the lighter of FIG. 1 in an open configuration.

FIG. 14 is a top rear left side view thereof.

FIG. 15 is a top front right side view thereof.

FIG. 16 is a top rear right side view thereof.

FIG. 17 is a bottom front left side view thereof.

FIG. 18 is a bottom rear left side view thereof.

FIG. 19 is a bottom front right side view thereof.

FIG. 20 is a bottom rear right side view thereof.

FIG. 21 is a front view thereof.

FIG. 22 is a rear view thereof.

FIG. 23 is a left side view thereof.

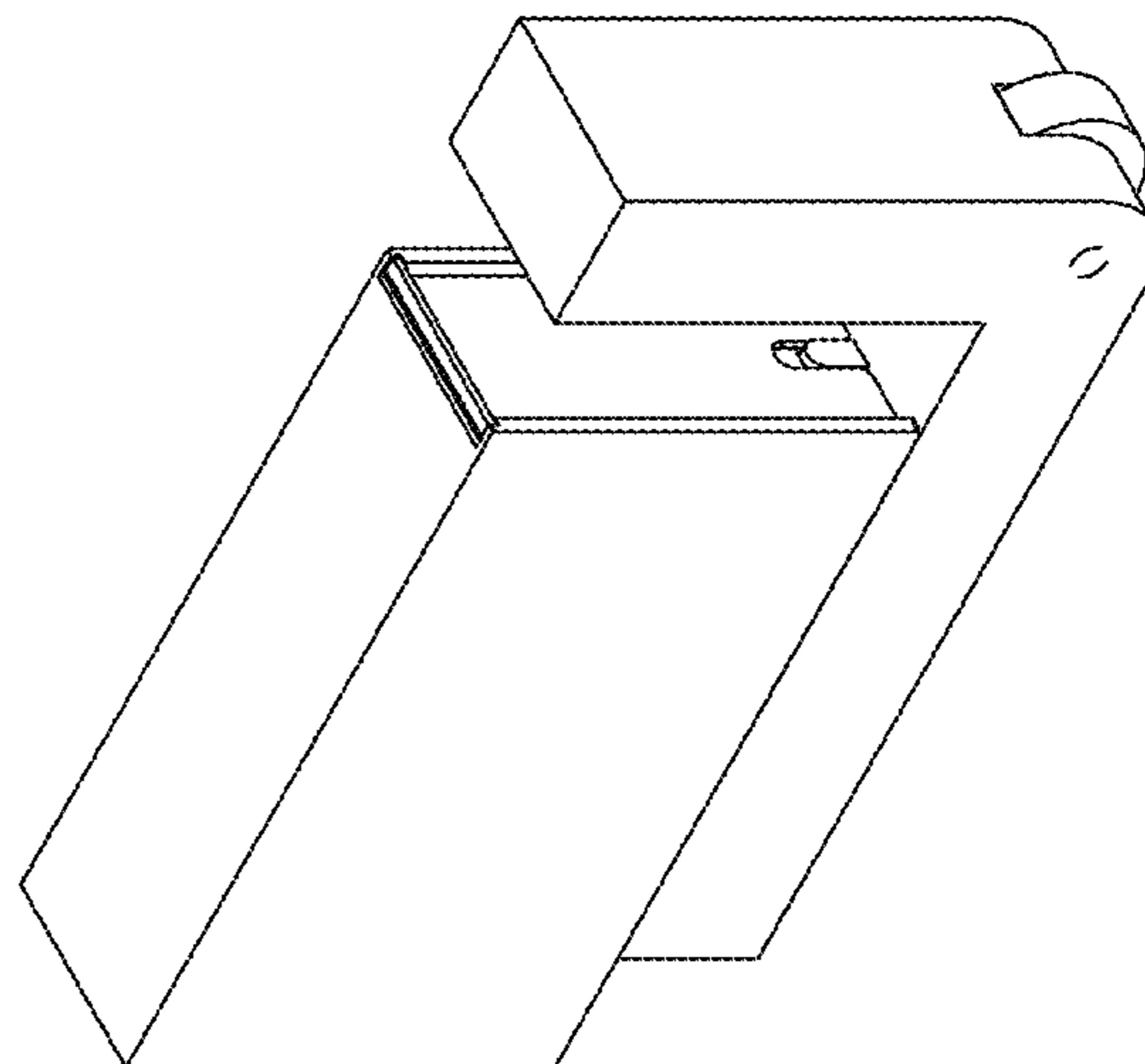
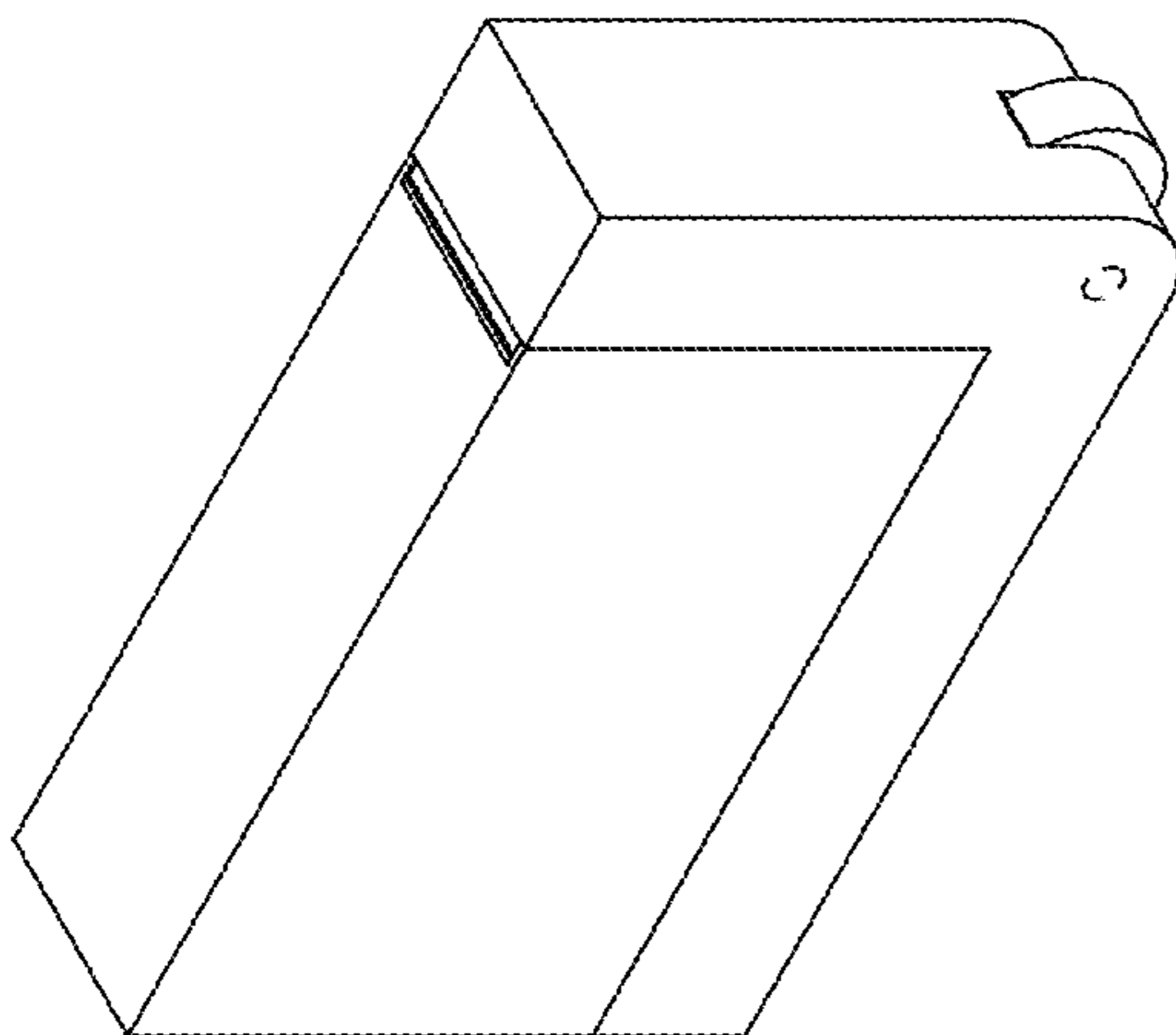
FIG. 24 is a right side view thereof.

FIG. 25 is a top view thereof; and,

FIG. 26 is a bottom view thereof.

The broken lines in the drawings depict portions of the lighter that form no part of the claimed design.

1 Claim, 23 Drawing Sheets



(56)

References Cited

U.S. PATENT DOCUMENTS

6,699,033 B2 * 3/2004 Xu F23Q 2/287
431/255
D536,480 S * 2/2007 Park D27/143
D548,396 S * 8/2007 Chen D27/157
7,335,017 B2 * 2/2008 Wong F23Q 2/162
431/277
D625,466 S * 10/2010 Martin D27/159
D629,154 S * 12/2010 Sung D27/154
D716,997 S * 11/2014 Frelander D23/367
9,046,267 B2 * 6/2015 Muste F23Q 2/287
D736,455 S * 8/2015 Liu D27/189
D736,995 S * 8/2015 Recio D27/141
D818,637 S * 5/2018 Ringel D27/141
D822,897 S * 7/2018 Almsberger D27/141

* cited by examiner

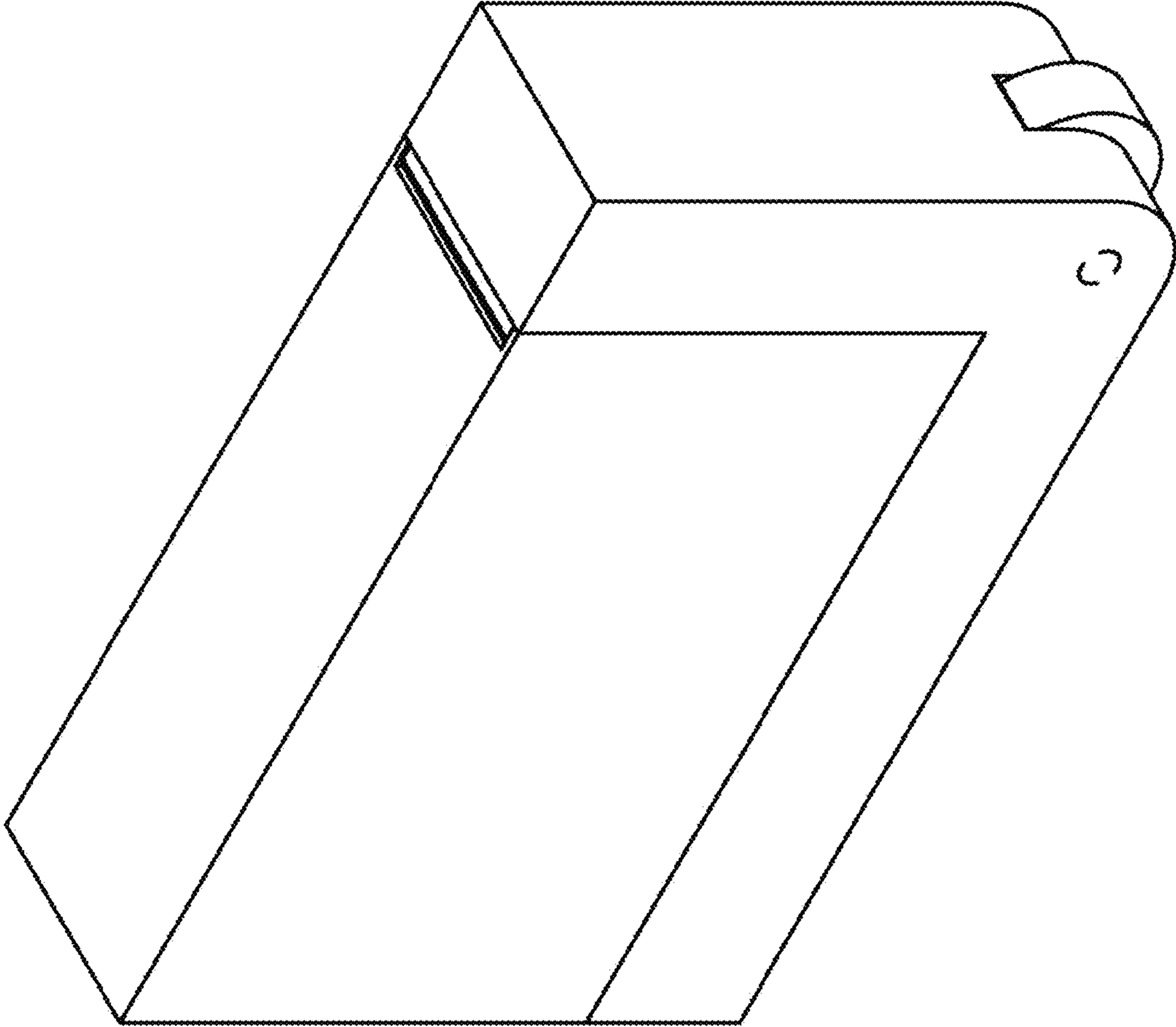


FIG. 1

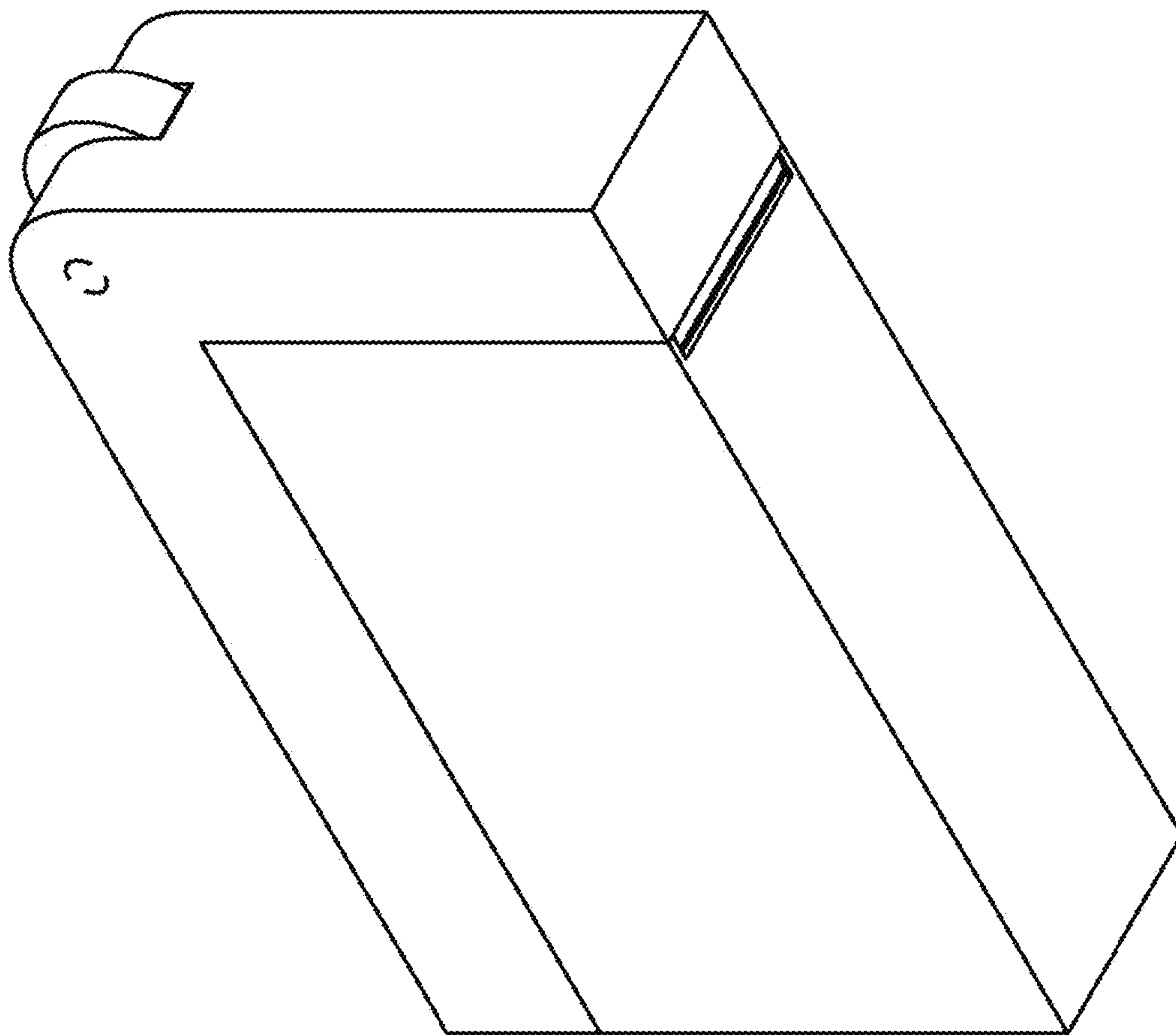


FIG. 2

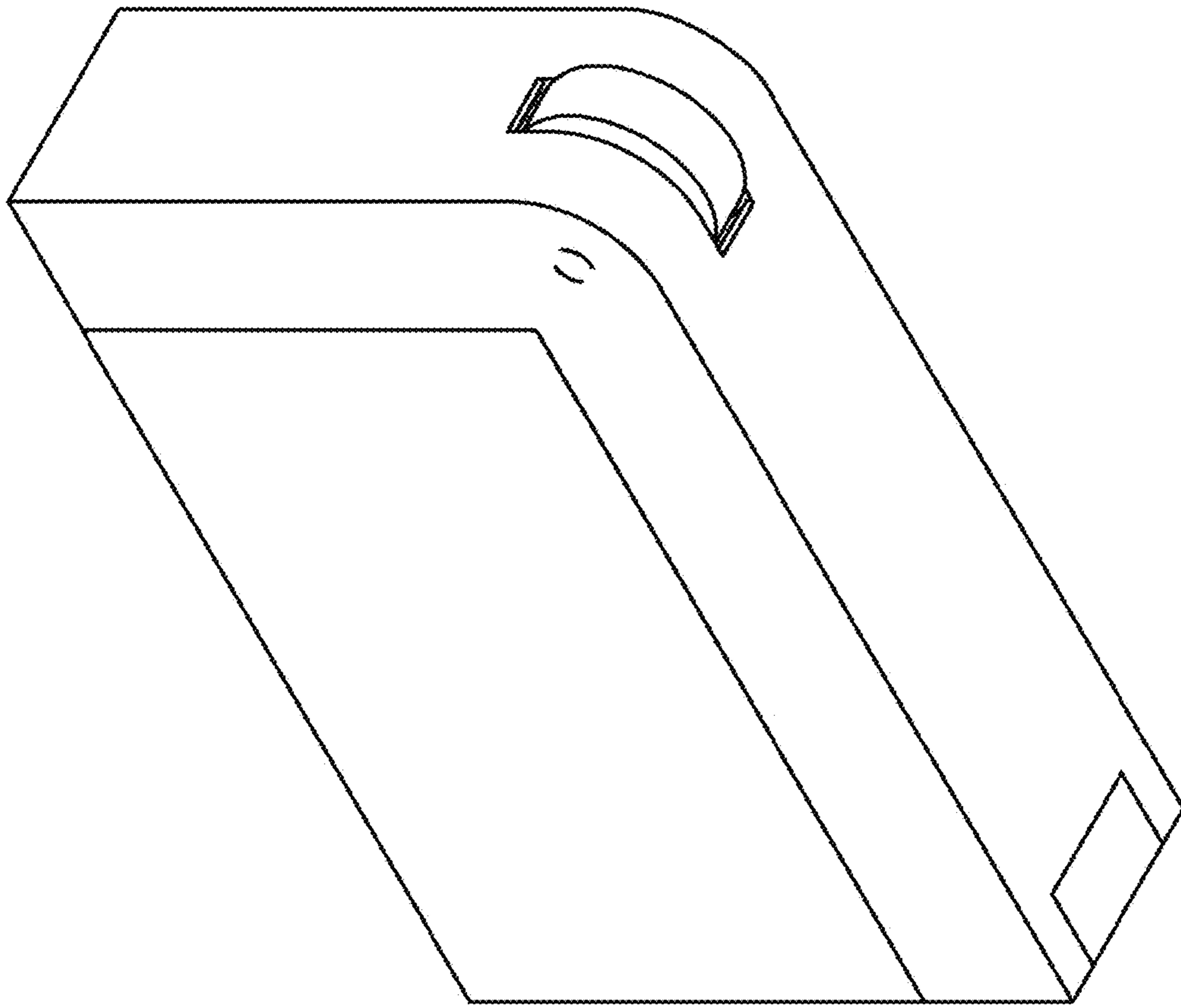


FIG. 3

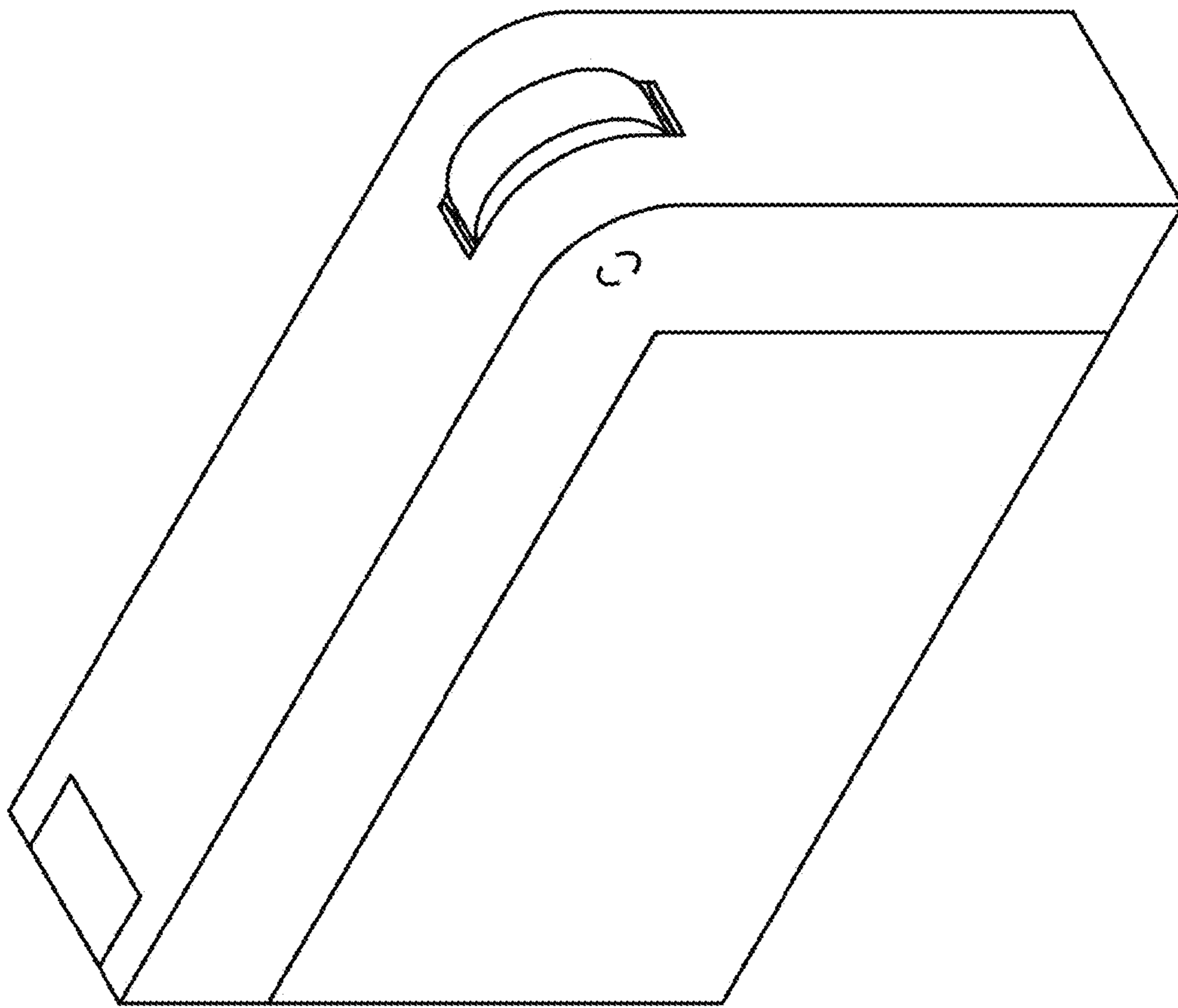


FIG. 4

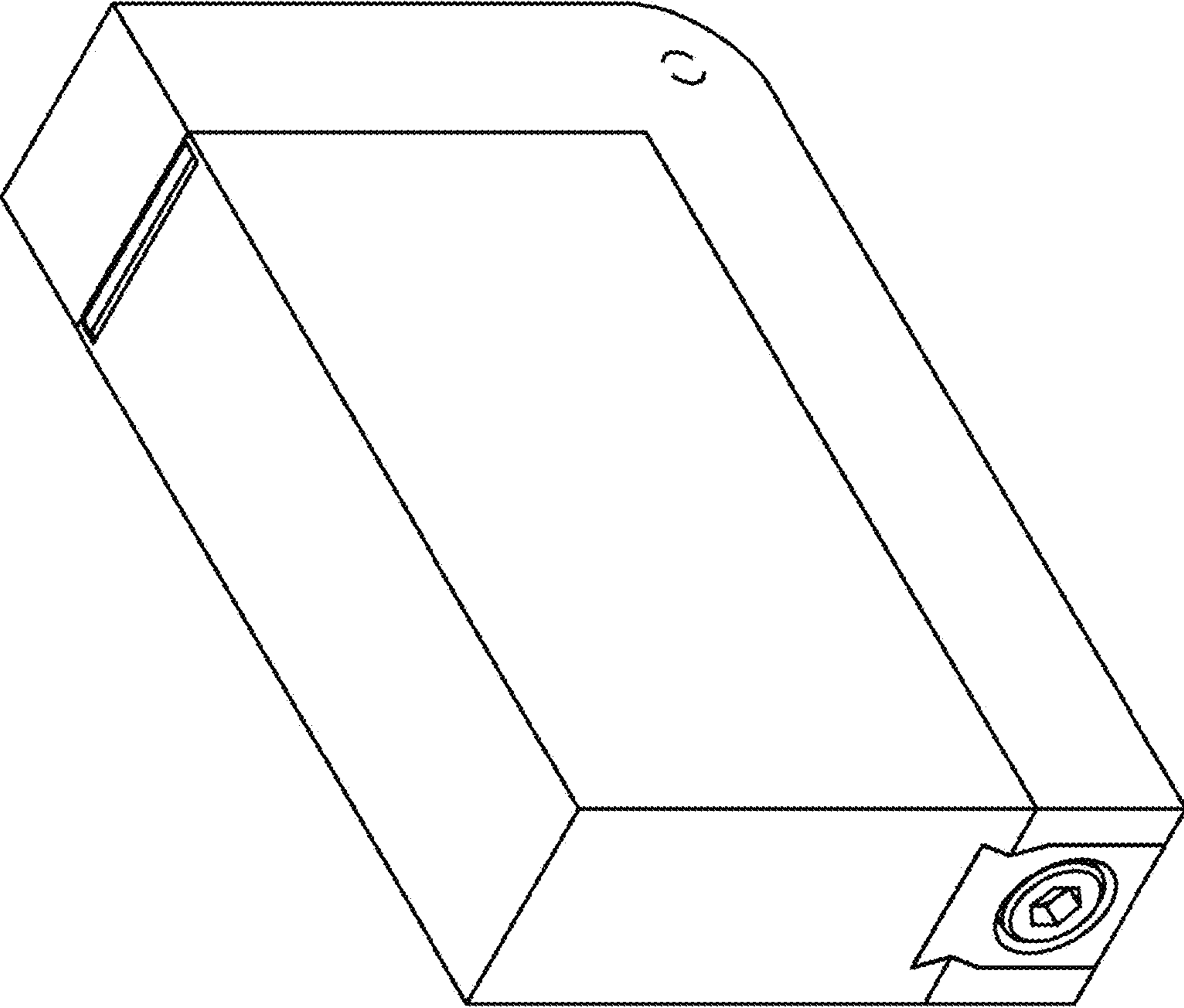


FIG. 5

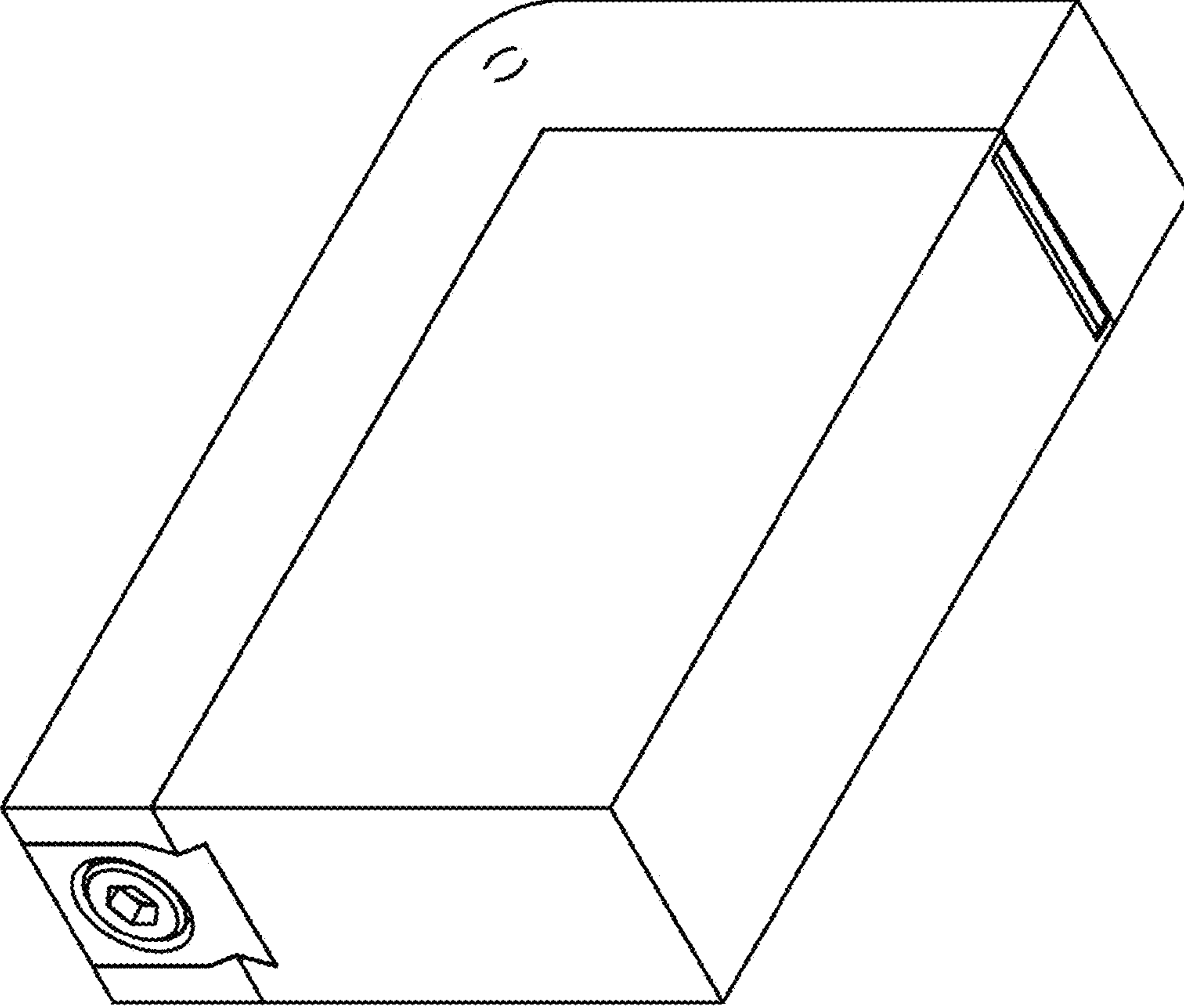


FIG. 6

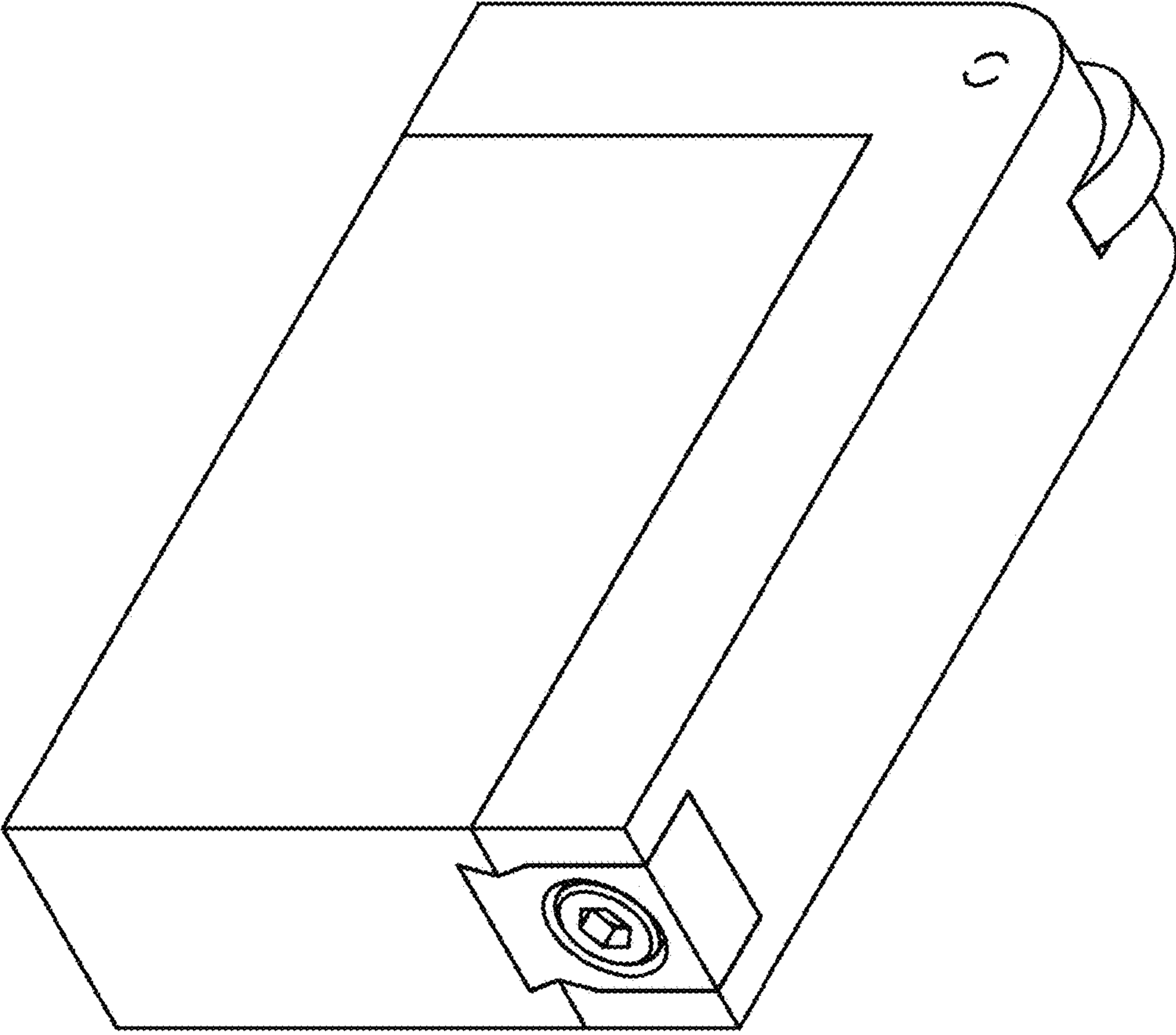


FIG. 7

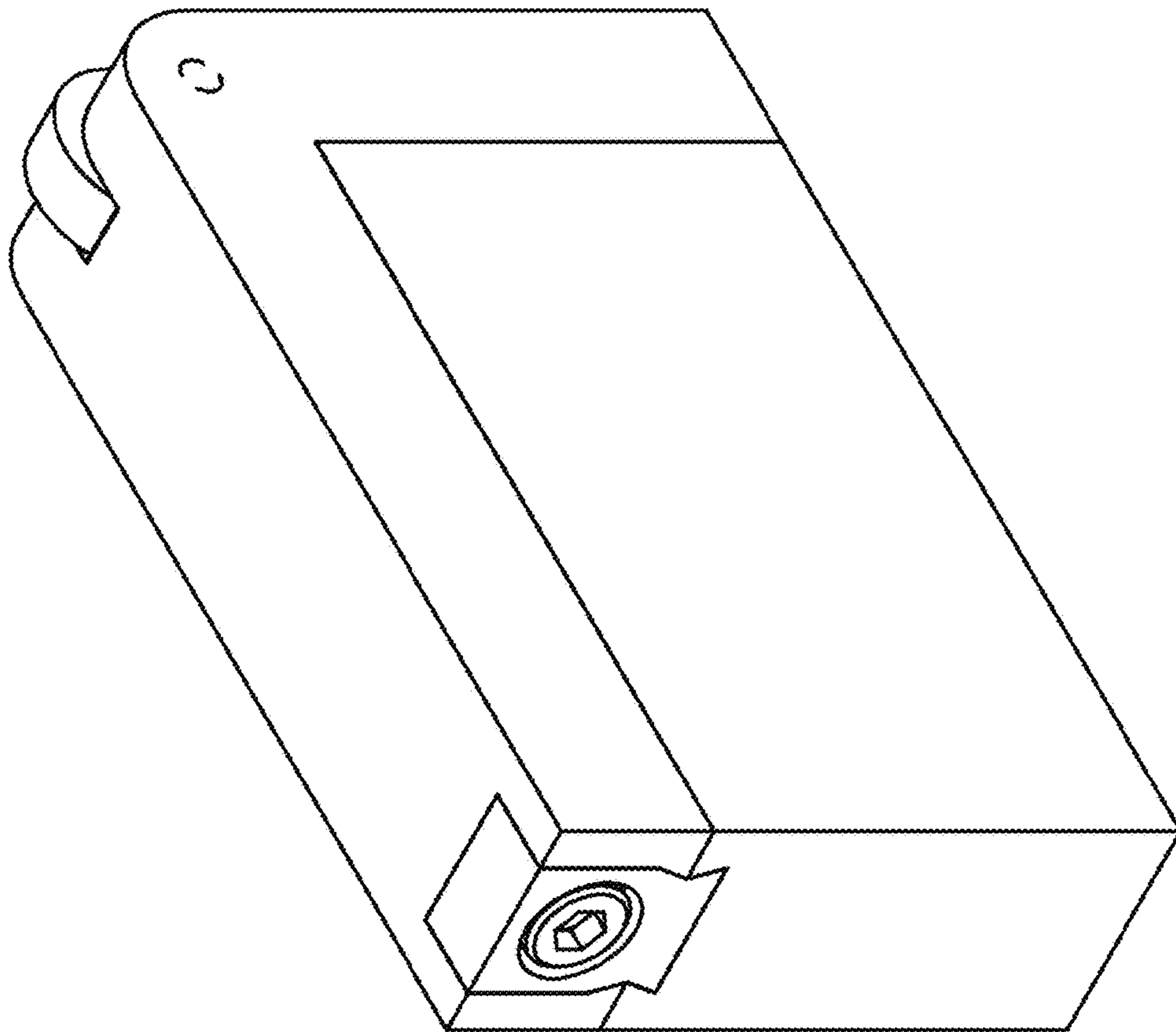


FIG. 8

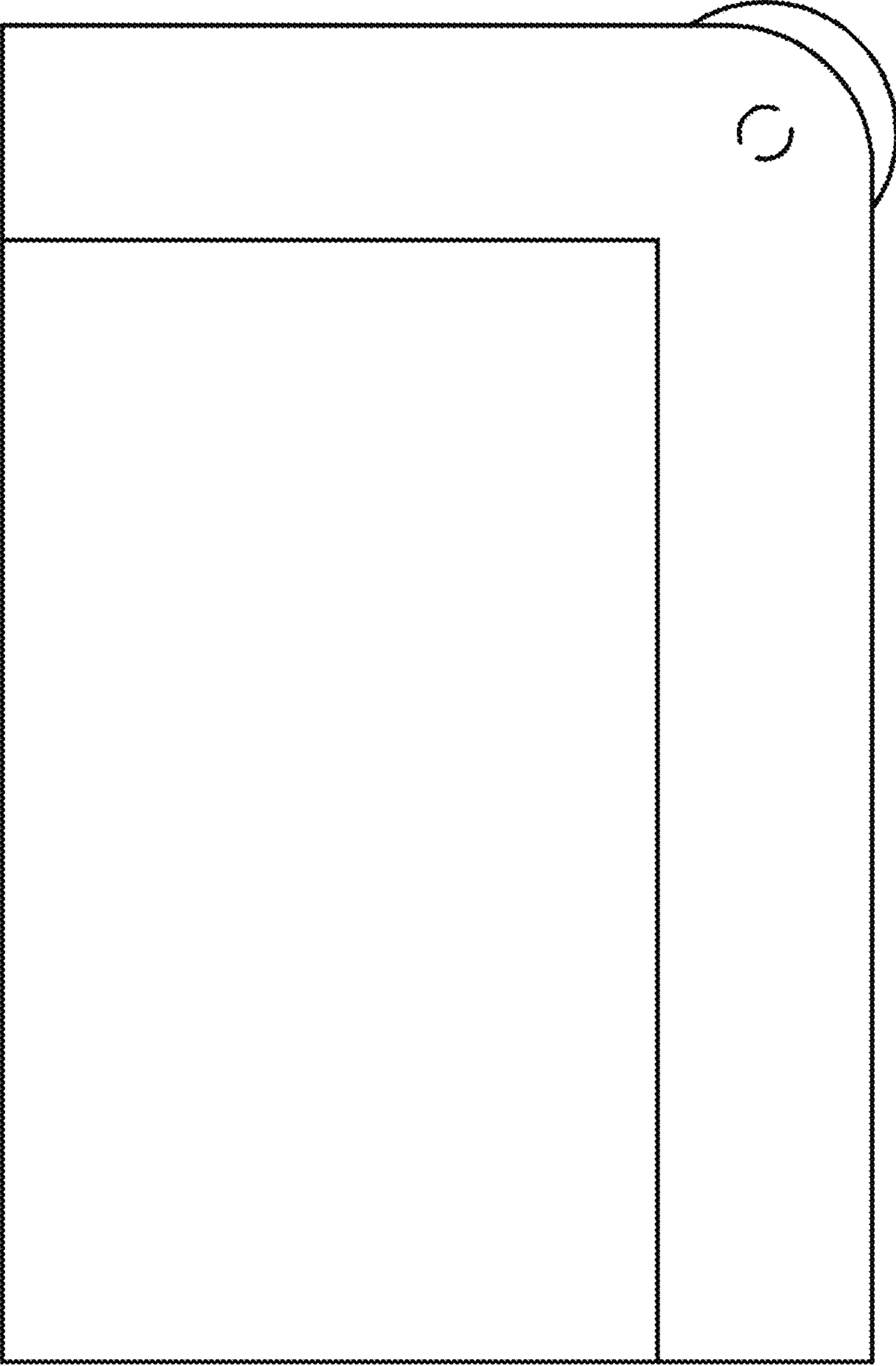


FIG. 9

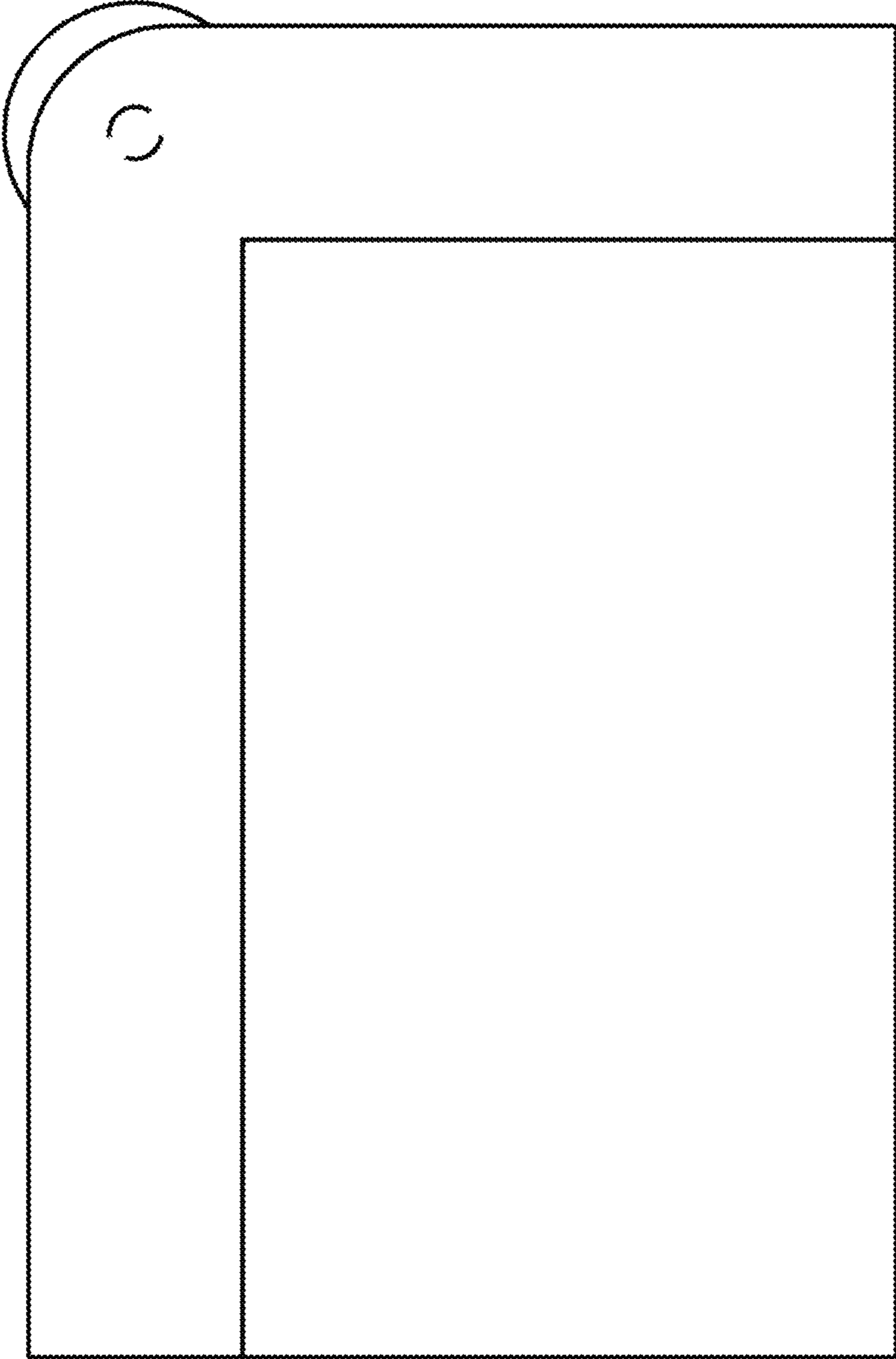


FIG. 10

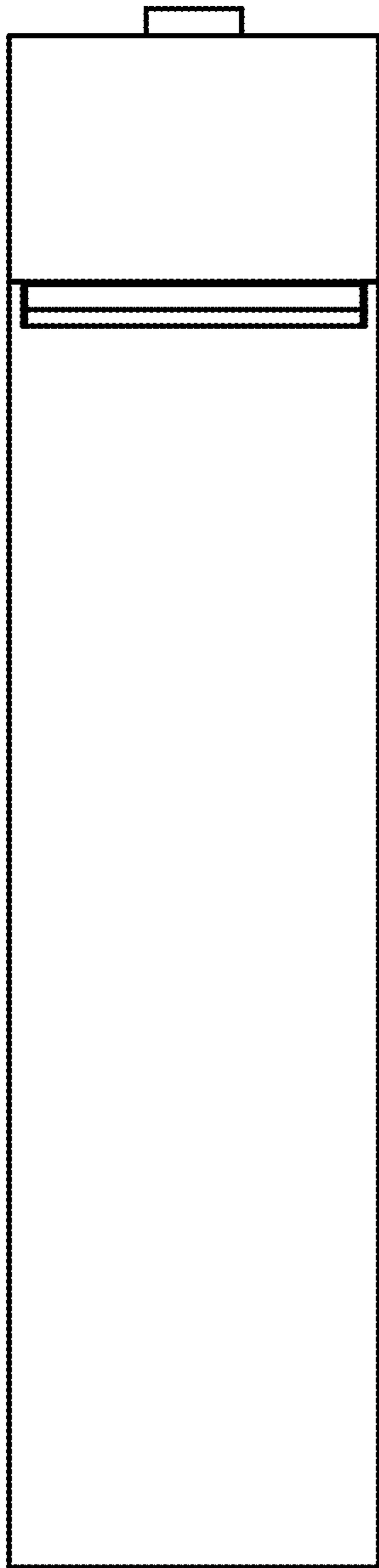


FIG. 11

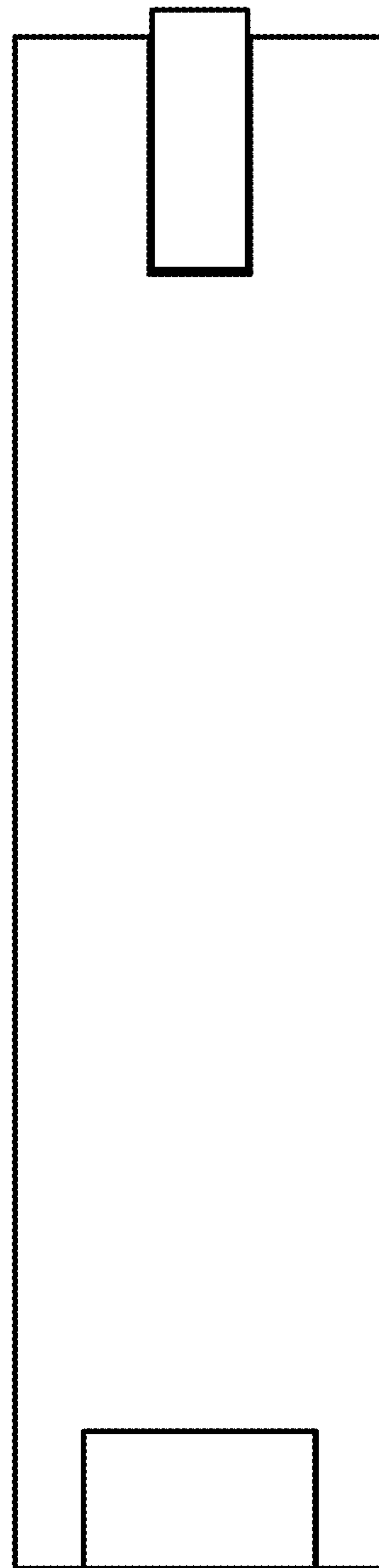


FIG. 12

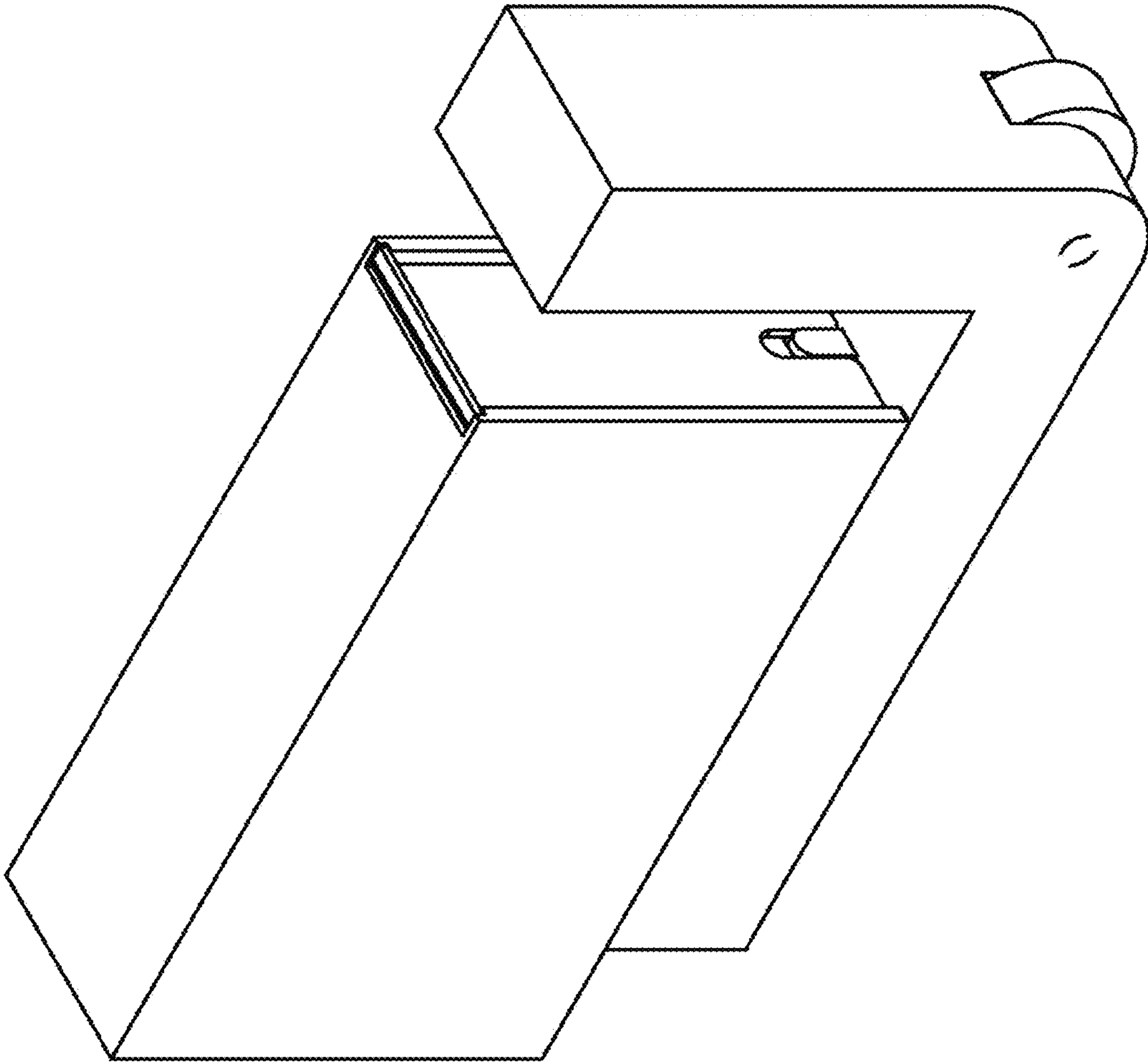


FIG. 13

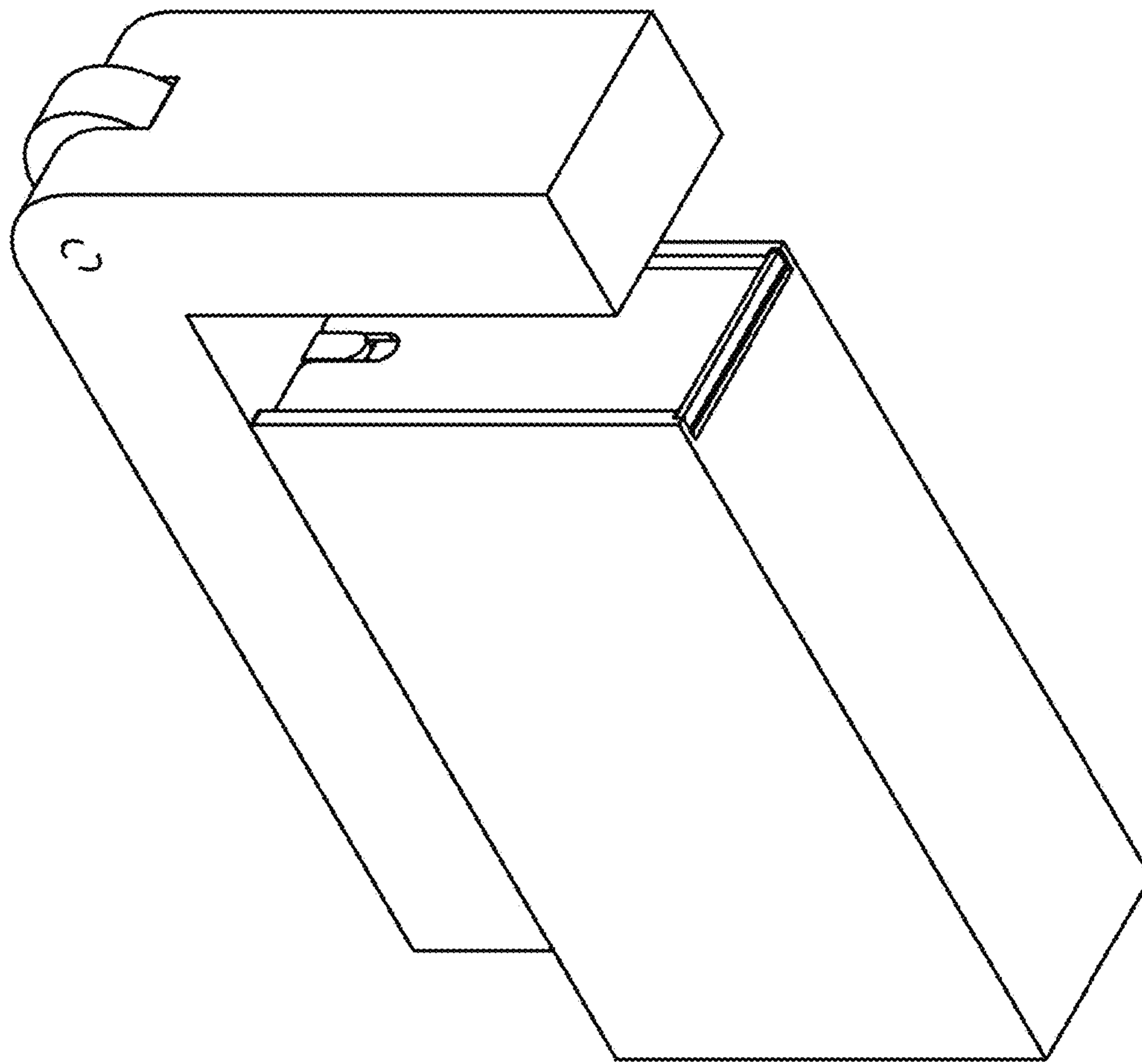


FIG. 14

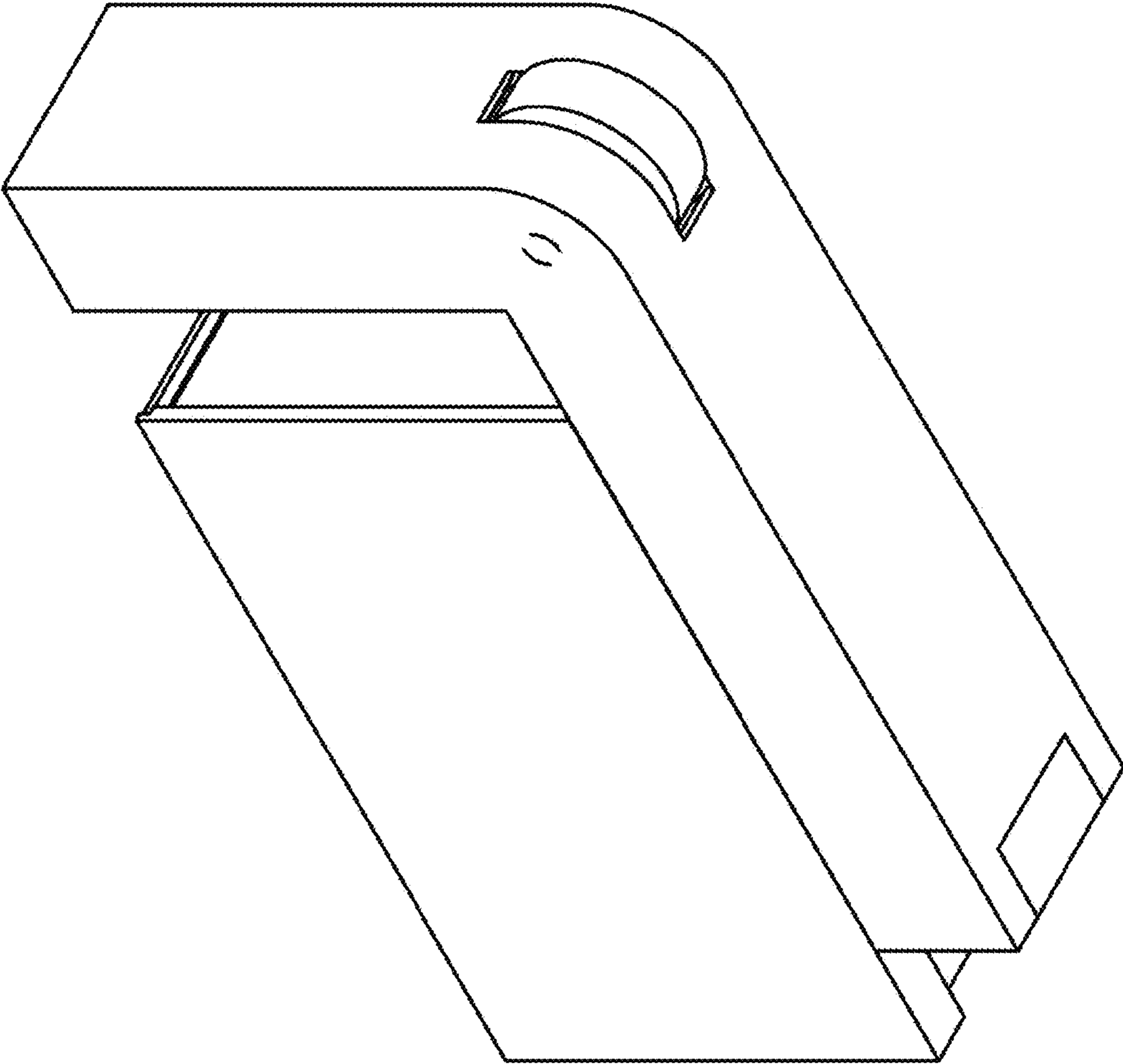


FIG. 15

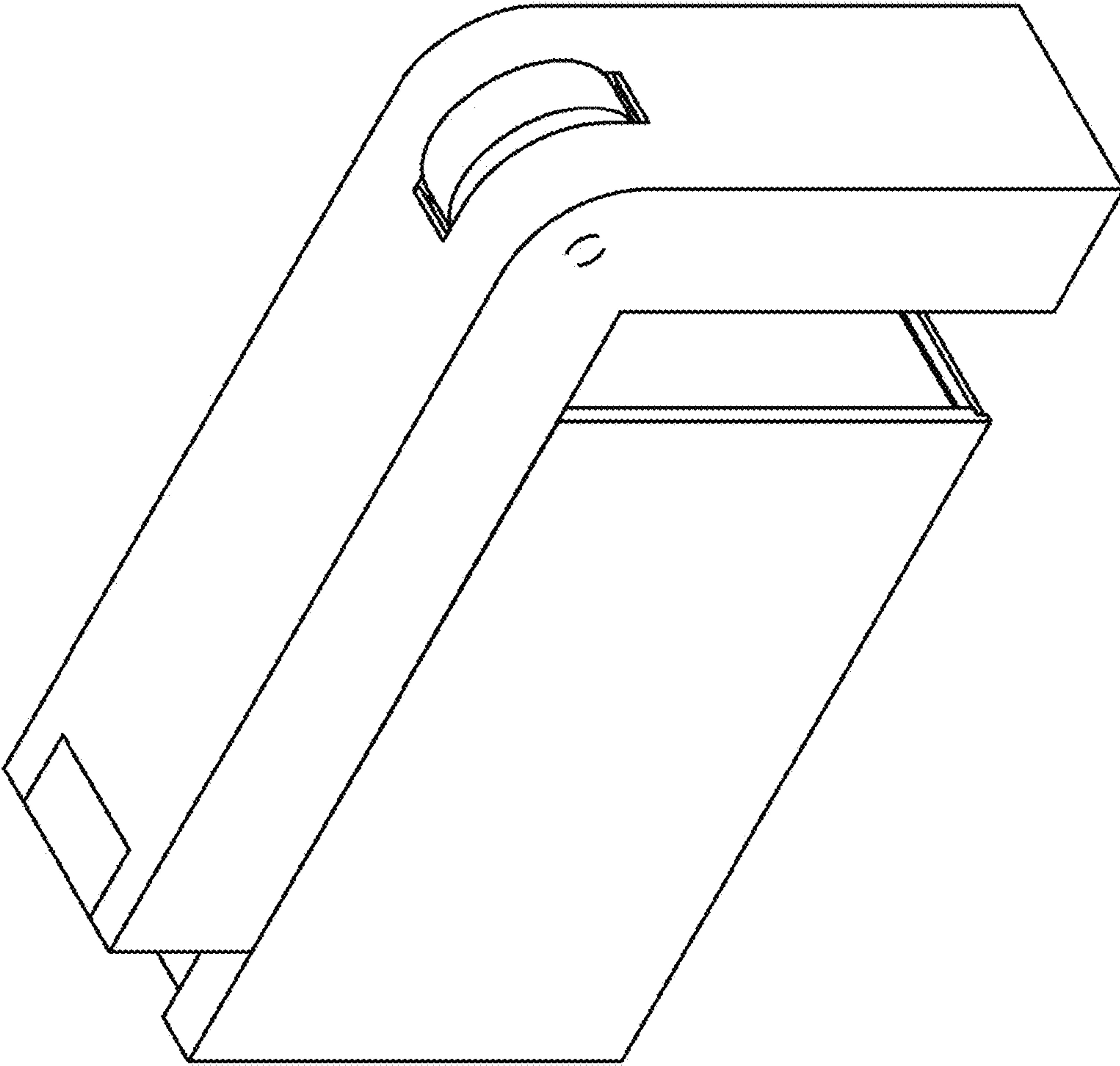


FIG. 16

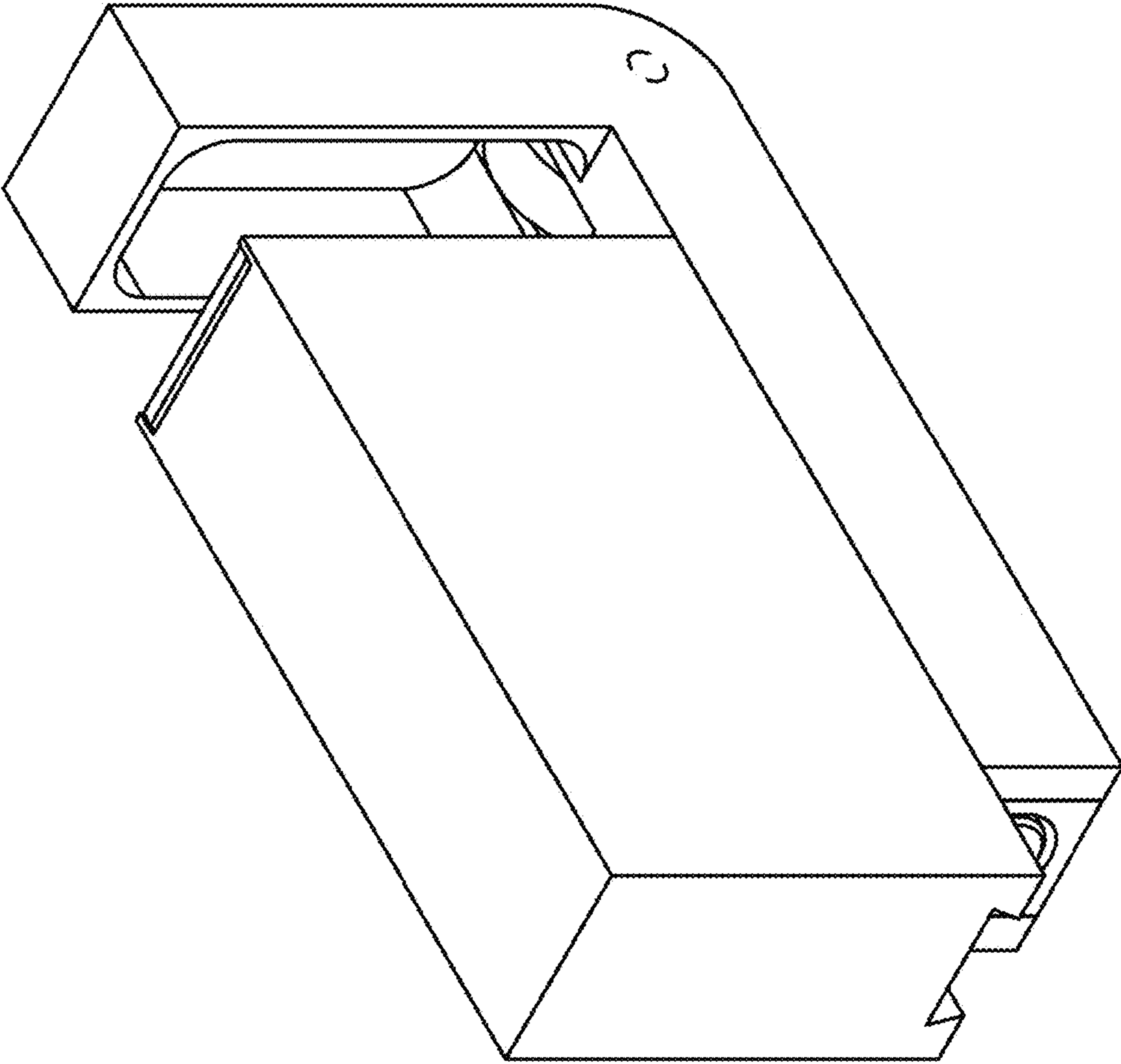


FIG. 17

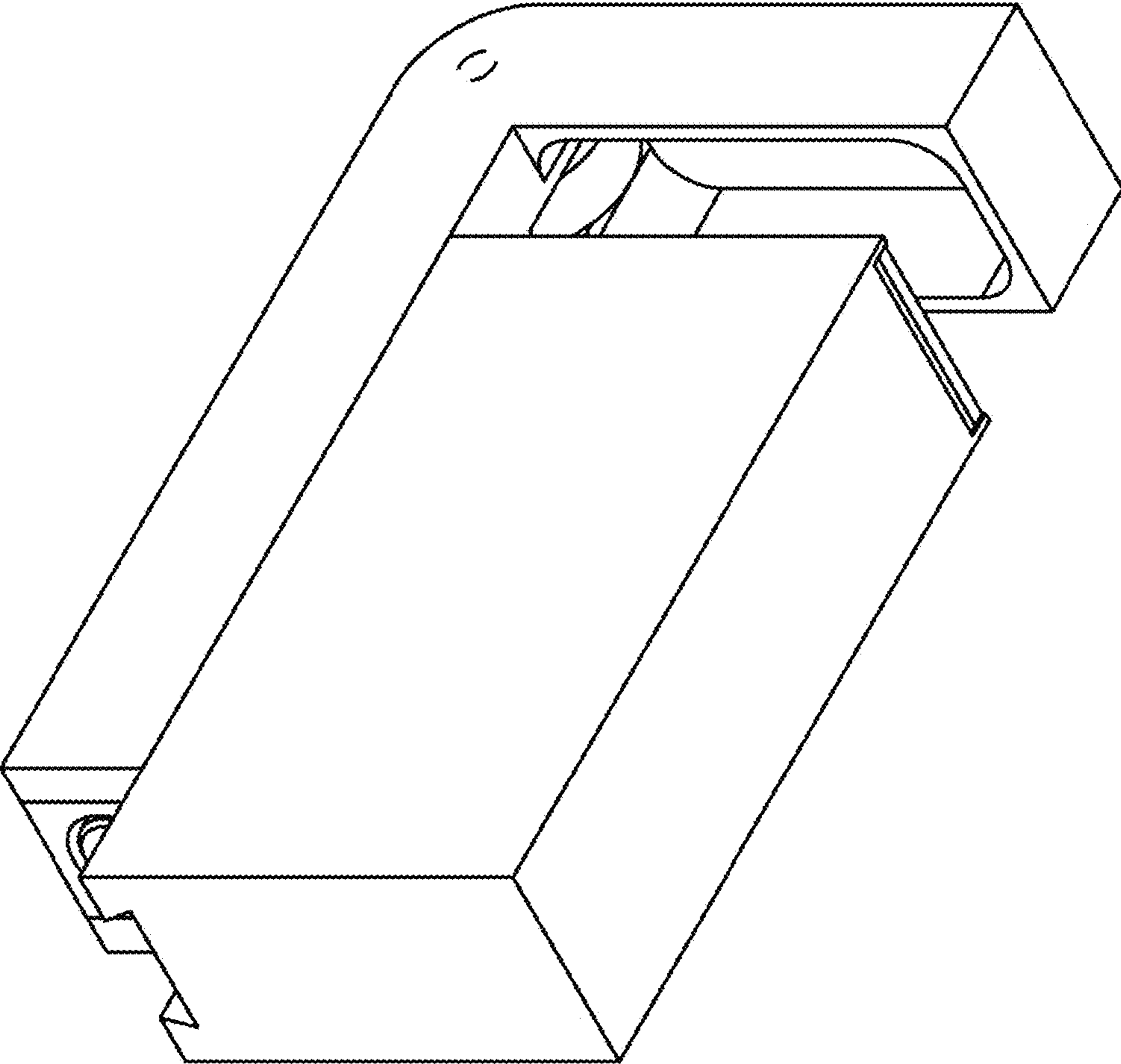


FIG. 18

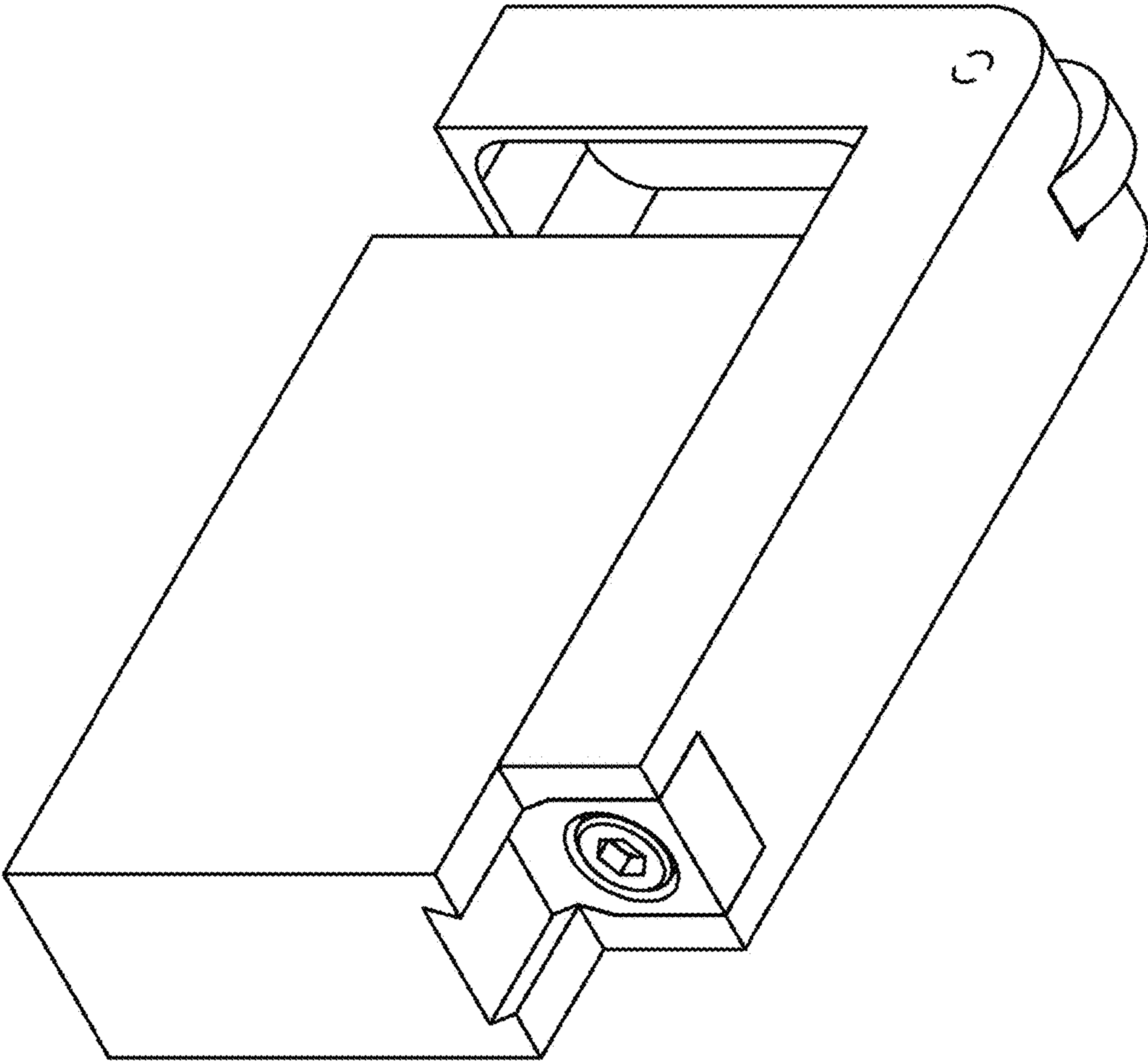


FIG. 19

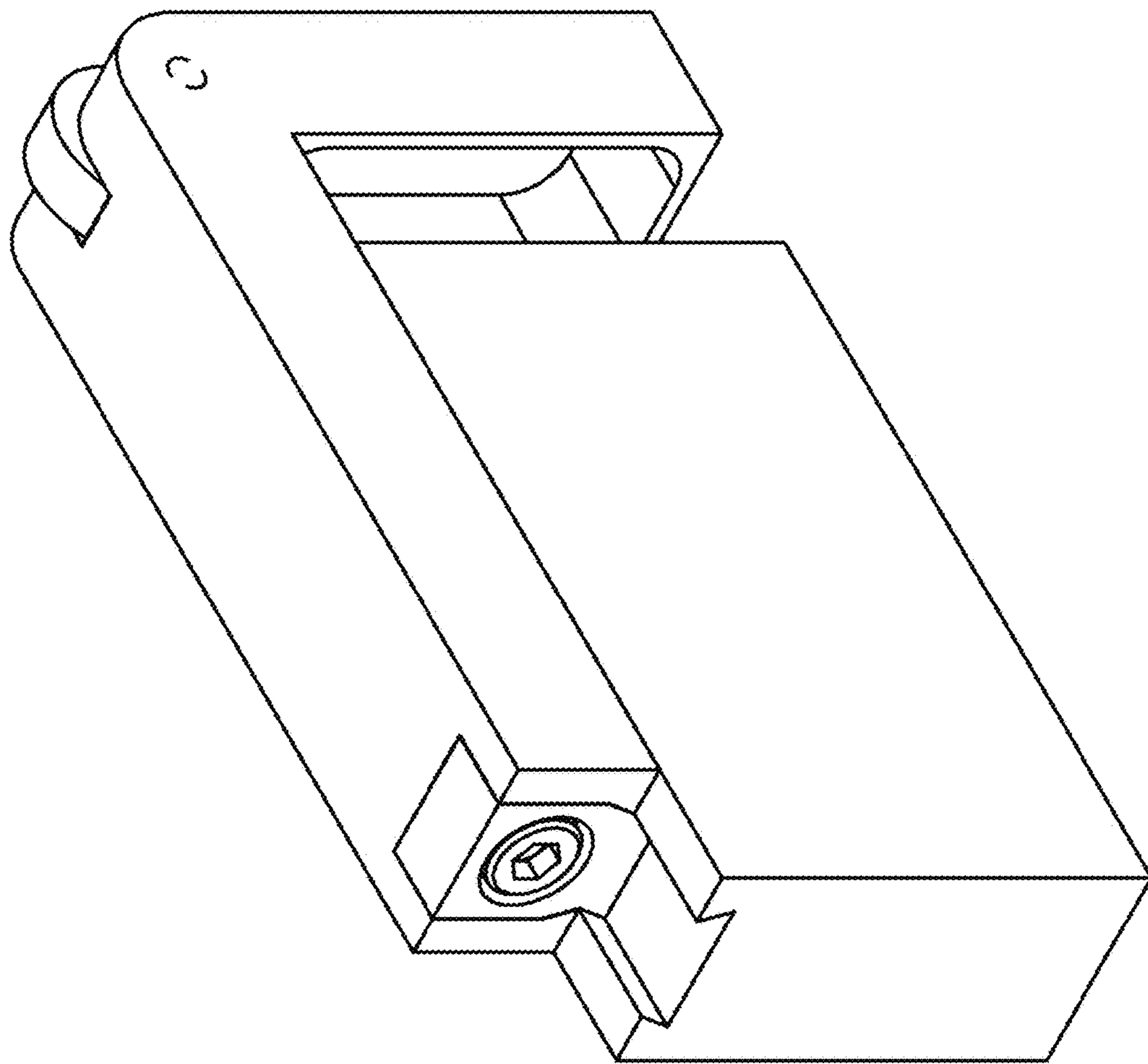


FIG. 20

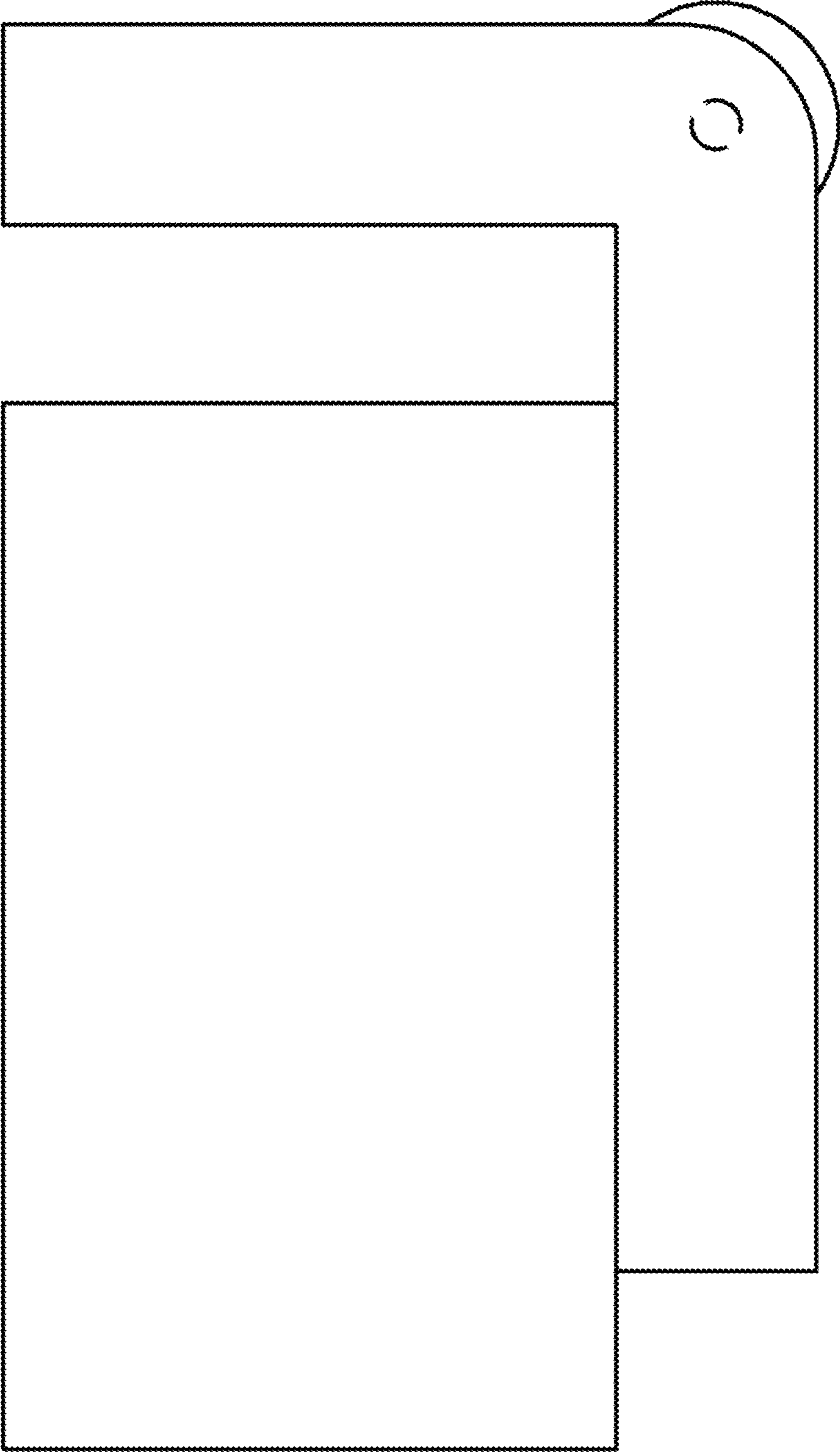


FIG. 21

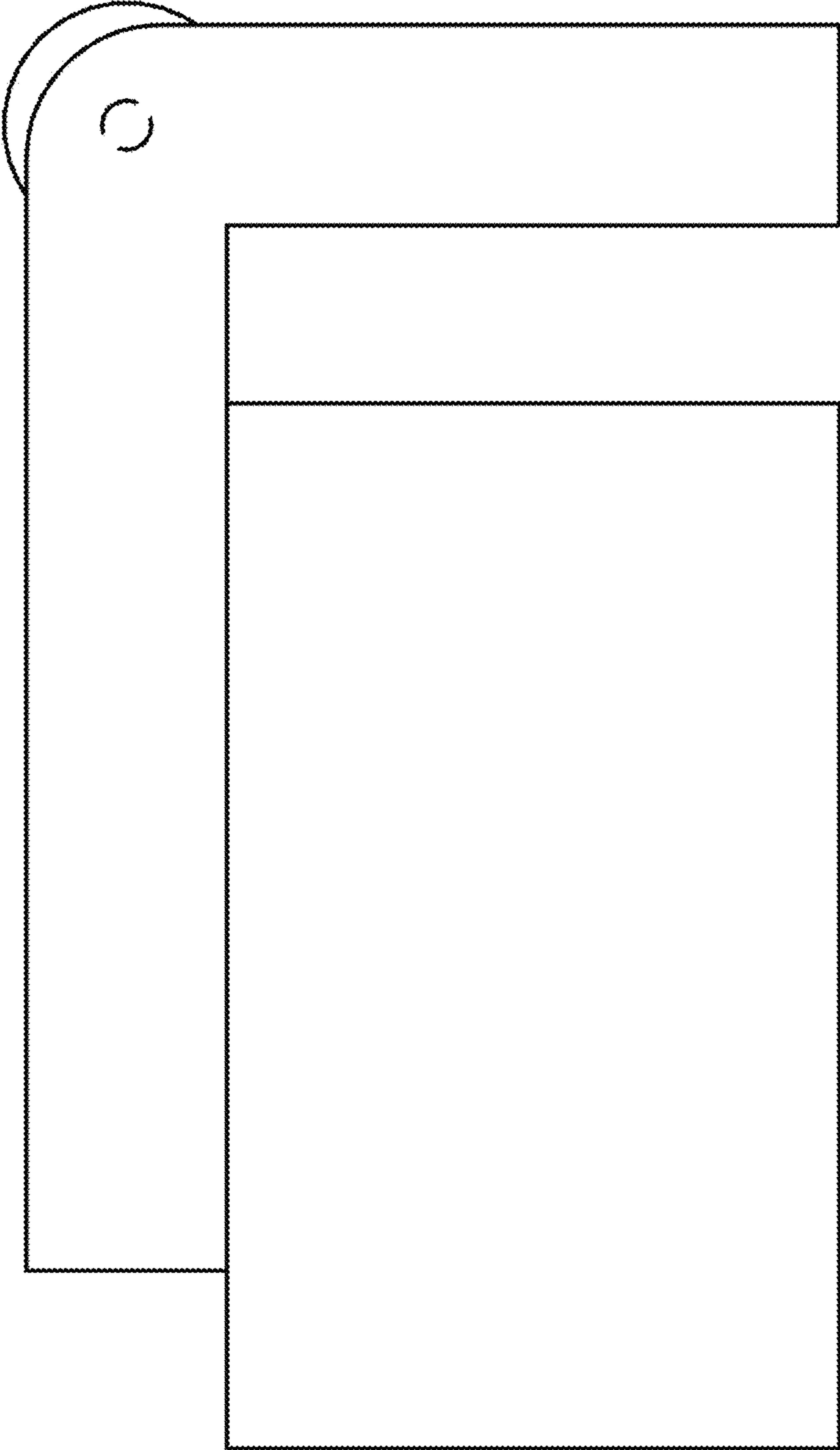


FIG. 22

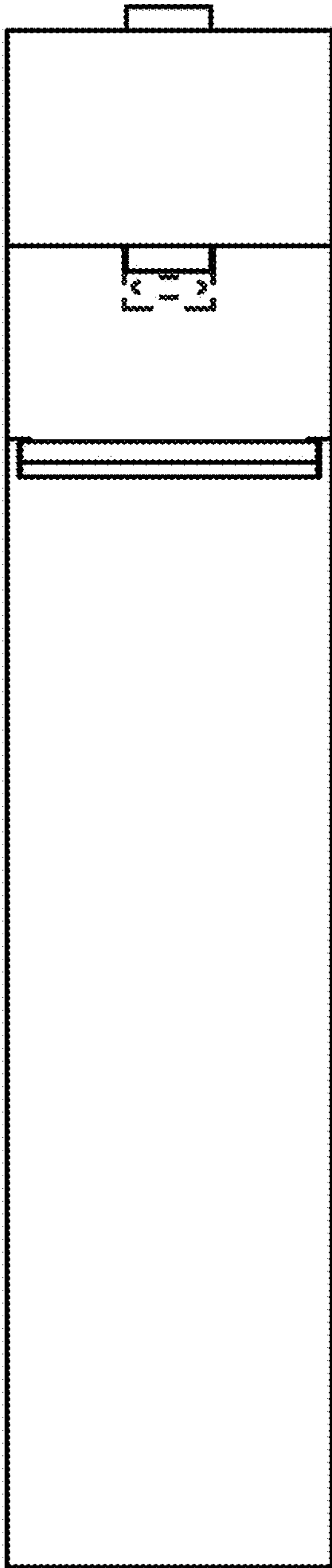


FIG. 23

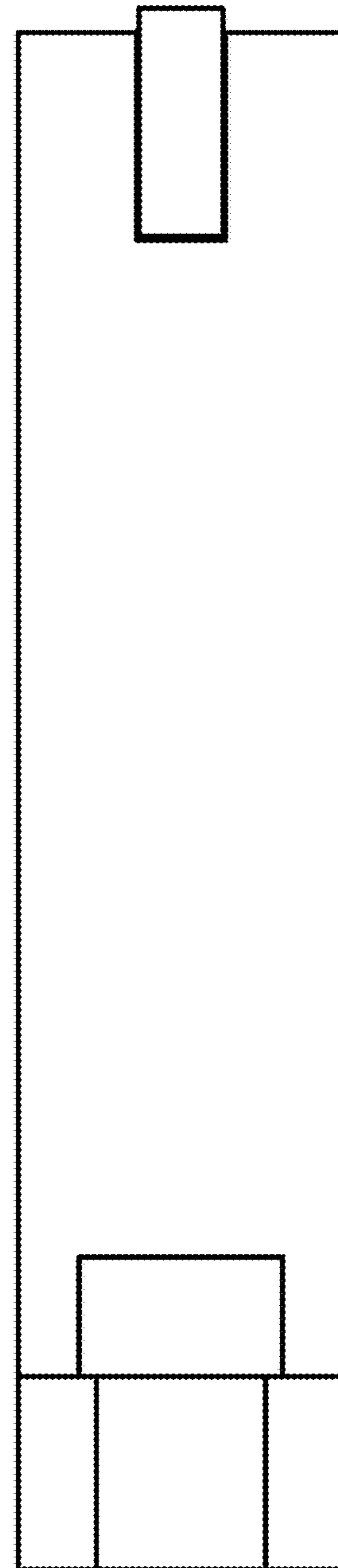


FIG. 24

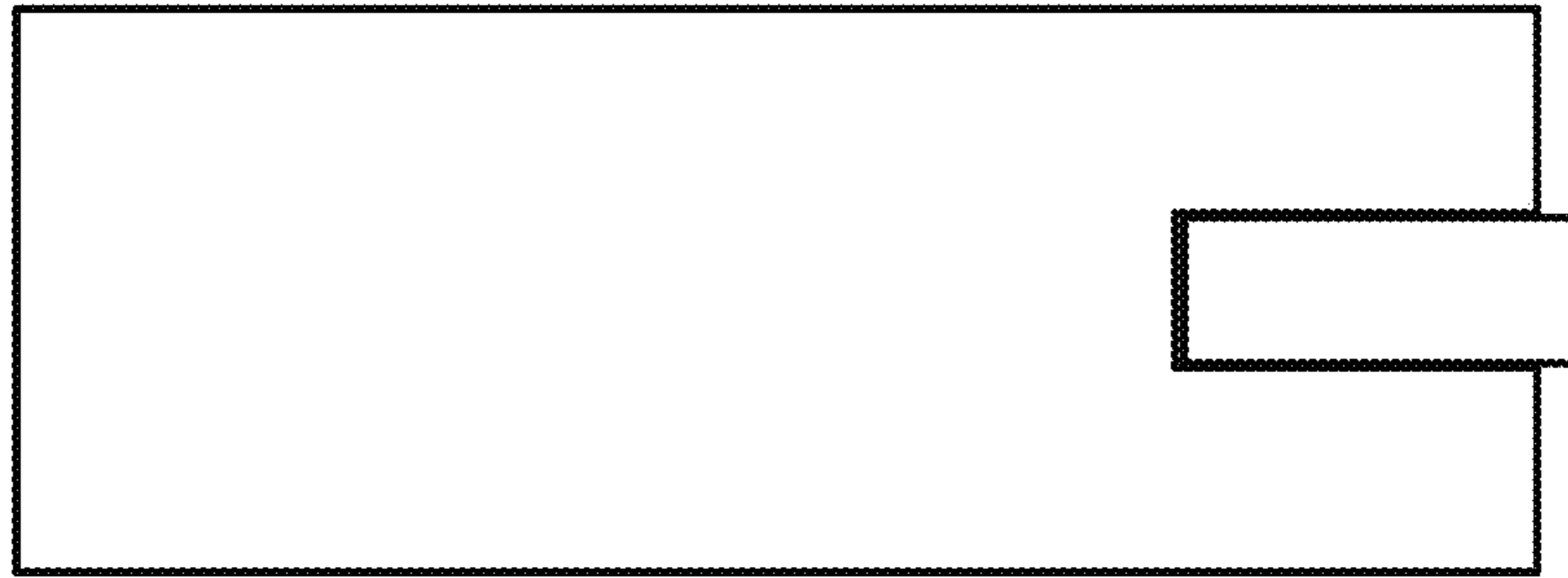


FIG. 25

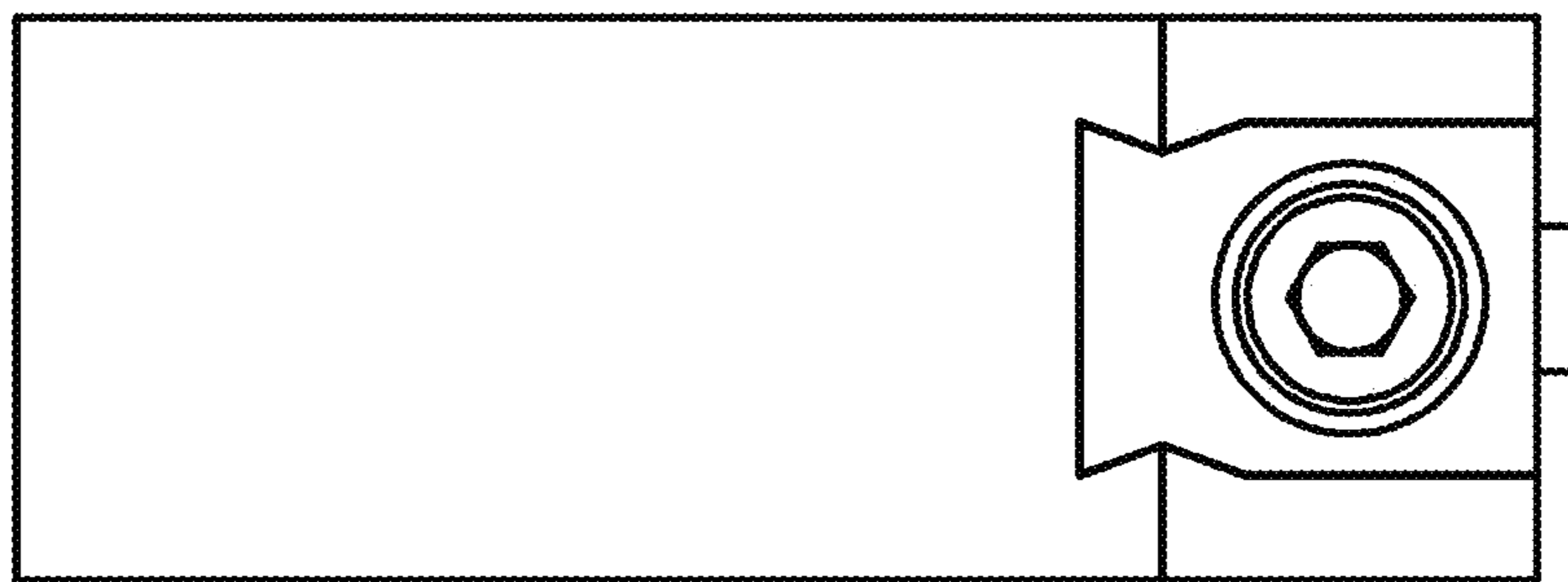


FIG. 26