



US00D863668S

(12) **United States Design Patent** (10) **Patent No.:** **US D863,668 S**
Kurdzialek (45) **Date of Patent:** **** Oct. 15, 2019**

(54) **COMBINATION LIGHTER AND CIGARETTE HOLDER**

(71) Applicant: **Albert Kurdzialek**, Fountain Hills, AZ (US)

(72) Inventor: **Albert Kurdzialek**, Fountain Hills, AZ (US)

(**) Term: **15 Years**

(21) Appl. No.: **29/589,508**

(22) Filed: **Jan. 2, 2017**

Related U.S. Application Data

(63) Continuation of application No. 29/451,232, filed on Mar. 28, 2013, now abandoned.

(51) **LOC (12) Cl.** **27-02**

(52) **U.S. Cl.**
USPC **D27/144**

(58) **Field of Classification Search**
USPC D27/100, 101, 162-170, 172-195;
D7/701

CPC A24F 15/00; A24F 17/00; A24F 23/00;
A24F 15/18

See application file for complete search history.

(56) **References Cited**

U.S. PATENT DOCUMENTS

| | | | | | | |
|-----------|---|---|---------|--------------|-------|---------|
| D156,486 | S | * | 10/1947 | Collins | | D7/701 |
| 2,777,569 | A | | 1/1957 | Starke | | |
| 2,854,011 | A | | 9/1958 | McComb | | |
| 4,159,568 | A | | 7/1979 | Berner | | |
| D260,689 | S | * | 9/1981 | Storms | | D27/144 |
| D277,034 | S | * | 1/1985 | Ramsdell | | D27/187 |
| D298,972 | S | * | 12/1988 | Schauer | | D27/161 |
| D303,159 | S | * | 8/1989 | Heath | | D27/172 |
| 4,897,033 | A | | 1/1990 | Yang | | |
| 5,181,528 | A | | 1/1993 | Chen | | |
| 5,303,721 | A | | 4/1994 | Bowen et al. | | |
| 5,345,952 | A | | 9/1994 | Nielander | | |

| | | | | | | |
|-----------|---|---|---------|------------|-------|-----------------------|
| 5,465,738 | A | * | 11/1995 | Rowland | | A24F 23/04 131/180 |
| D366,950 | S | * | 2/1996 | McKinnie | | D27/189 |
| 5,738,117 | A | | 4/1998 | Fontaine | | |
| 5,791,051 | A | | 8/1998 | Schmidt | | |
| 5,819,753 | A | | 10/1998 | Birkenthal | | |
| D402,400 | S | * | 12/1998 | Pausinger | | D27/161 |

(Continued)

OTHER PUBLICATIONS

www.thesnipper.com, advertising, Apr. 2015 on sale.

Primary Examiner — Marissa J Cash

(74) *Attorney, Agent, or Firm* — Mark V. Loen

(57) **CLAIM**

The ornamental design for a combination lighter and cigarette holder, as shown and described.

DESCRIPTION

FIG. 1 is a front view of a combination lighter and cigarette holder;

FIG. 2 is a right side view thereof;

FIG. 3 is a left side view thereof;

FIG. 4 is a top view thereof;

FIG. 5 is a bottom view thereof;

FIG. 6 is an isometric view thereof;

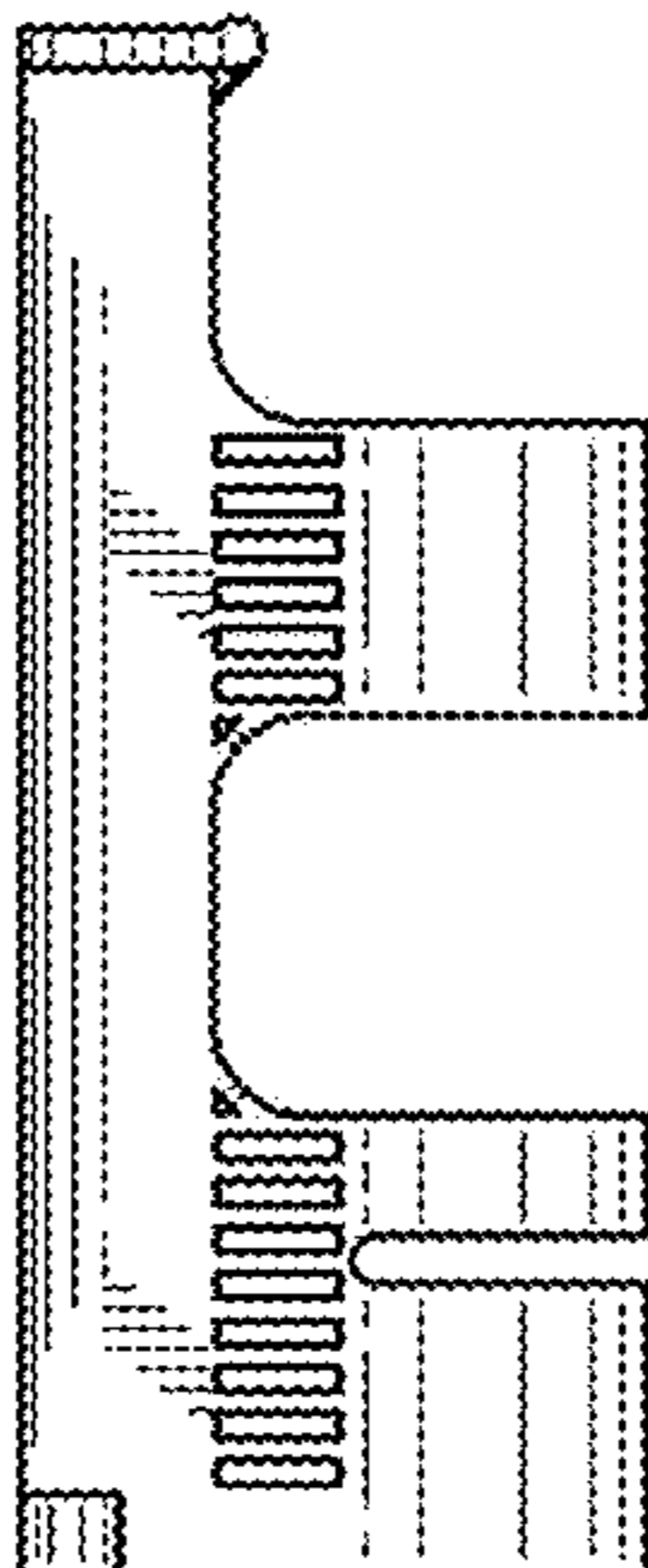
FIG. 7 is an isometric view thereof, with a cigarette lighter drawn in broken lines showing the combination lighter and cigarette holder in a condition of use;

FIG. 8 is an additional bottom view thereof showing the cigarette cutter blade slidably moved to an open position; and,

FIG. 9 is an additional front view thereof with the cigarette storage cap rotated to an open position.

The broken lines shown in FIGS. 7-9 are for purposes of illustrating environmental structure and unclaimed lines associated with the claimed design in condition of use, and which forms no part of the claimed design.

1 Claim, 3 Drawing Sheets



(56)

References Cited

U.S. PATENT DOCUMENTS

5,888,061 A 3/1999 Reynolds
 D407,845 S * 4/1999 Ruscitti D27/144
 5,911,573 A 6/1999 Tsai
 5,913,676 A 6/1999 Kim
 5,934,894 A 8/1999 Cigler
 D417,525 S * 12/1999 Brushett D27/195
 6,062,227 A 5/2000 Kuenzel
 6,151,781 A 11/2000 Delher
 D436,223 S 1/2001 Pascanu et al.
 6,257,873 B1 7/2001 Song
 6,298,856 B1 10/2001 Park
 D461,595 S 8/2002 Lee
 D465,880 S 11/2002 Smith
 D471,316 S * 3/2003 Budde D27/161
 6,527,545 B2 3/2003 Cook
 6,875,013 B2 4/2005 Smith
 D527,139 S 8/2006 Deahl
 D528,245 S * 9/2006 Smith D27/142
 D549,390 S * 8/2007 Tadych D27/183
 D553,290 S 10/2007 Smith
 D565,790 S * 4/2008 Eisman D27/161
 7,409,955 B2 8/2008 Mauldin et al.
 D577,150 S 9/2008 Bryman
 D586,953 S 2/2009 Riggio
 D616,178 S 5/2010 Baggenstos
 D617,495 S * 6/2010 LoRe D27/172
 D617,942 S 6/2010 LoRe
 D618,392 S * 6/2010 LoRe D27/172
 D622,902 S 8/2010 An
 D631,191 S * 1/2011 Luo D27/161
 D636,119 S 4/2011 Worlock
 D651,337 S * 12/2011 Bryman D27/172
 8,091,557 B2 1/2012 Cortesi
 8,171,940 B2 5/2012 Chuan

D663,892 S 7/2012 Arcos Bellvehi
 D693,820 S 11/2013 Eastwood
 D700,138 S 2/2014 Walz et al.
 8,695,608 B2 4/2014 Bardelli
 D735,935 S * 8/2015 Burrell D27/183
 D741,541 S * 10/2015 Liu D27/186
 D747,063 S 1/2016 Hermosillo
 D752,975 S 4/2016 Gatto
 D761,478 S 7/2016 Ng
 D768,918 S * 10/2016 Ward D27/167
 D779,721 S * 2/2017 Tsai D27/144
 D783,201 S * 4/2017 Pierce D27/161
 D790,766 S * 6/2017 Li D27/163
 9,681,685 B1 * 6/2017 Giordano A24F 3/00
 9,681,686 B2 * 6/2017 Miano A24F 15/18
 D791,402 S * 7/2017 Malhi D27/195
 D799,746 S * 10/2017 Leidel D27/163
 D800,377 S * 10/2017 Liu D27/101
 D800,380 S * 10/2017 Williams D27/163
 D800,383 S * 10/2017 Verleur D27/167
 D802,206 S * 11/2017 Huang D27/101
 D802,834 S * 11/2017 Mathias D27/163
 D807,818 S * 1/2018 Mathias D13/107
 2003/0172943 A1 9/2003 Connolly
 2005/0051183 A1 * 3/2005 Coulthard A24F 13/18
 131/256
 2005/0236005 A1 * 10/2005 Bears A24F 15/18
 131/235.1
 2006/0275726 A1 * 12/2006 Koropsak A24F 15/10
 431/253
 2007/0000502 A1 1/2007 Chong et al.
 2007/0137658 A1 * 6/2007 Molloy A24F 15/18
 131/187
 2009/0145448 A1 * 6/2009 Worlock A24F 13/18
 131/185

* cited by examiner

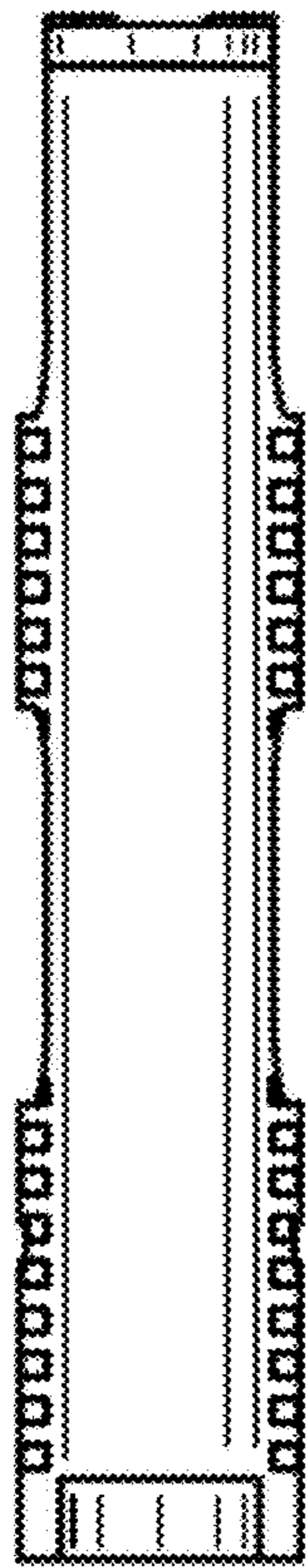


FIG. 3

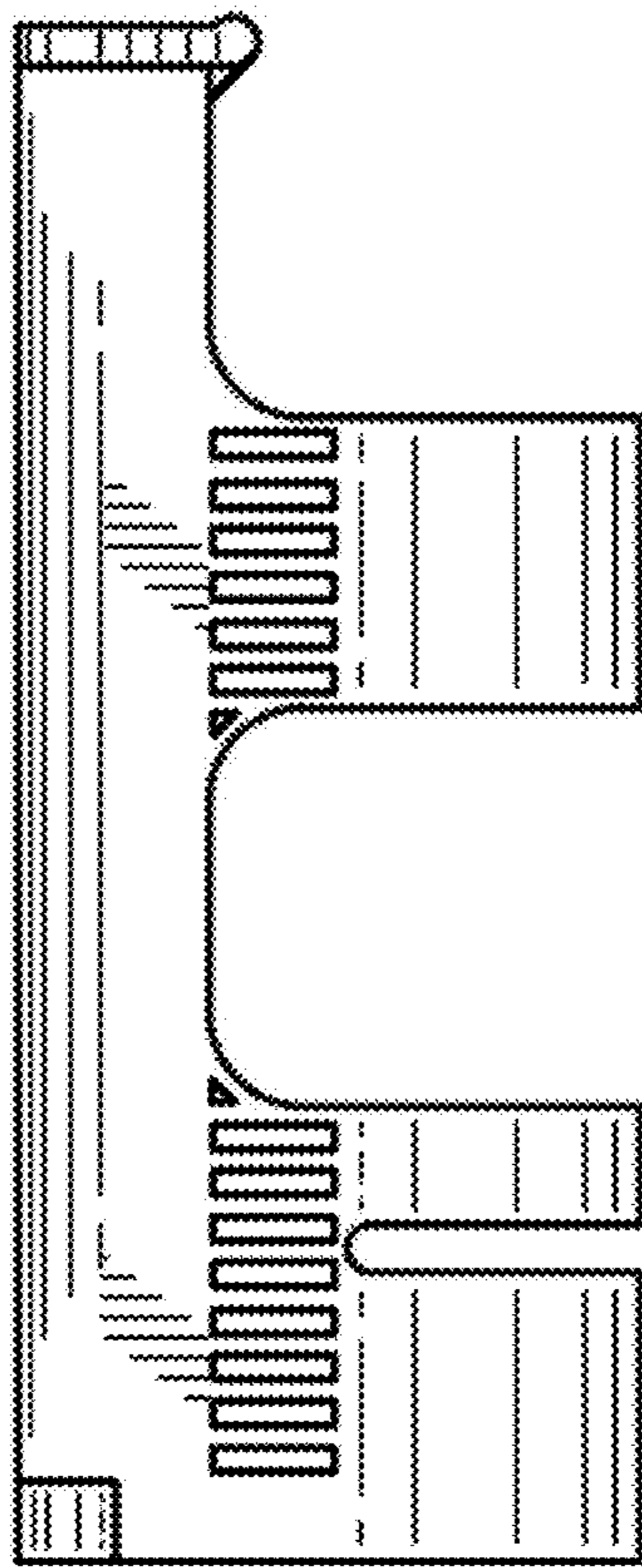


FIG. 1

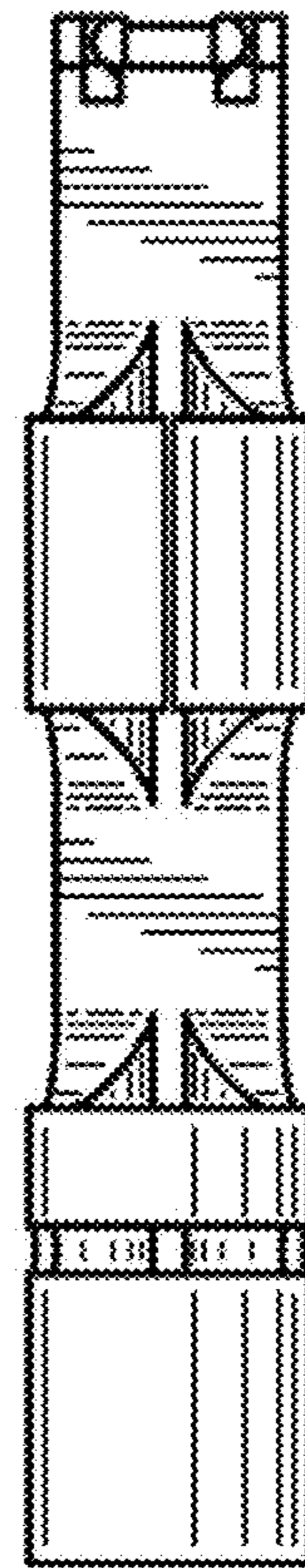


FIG. 2

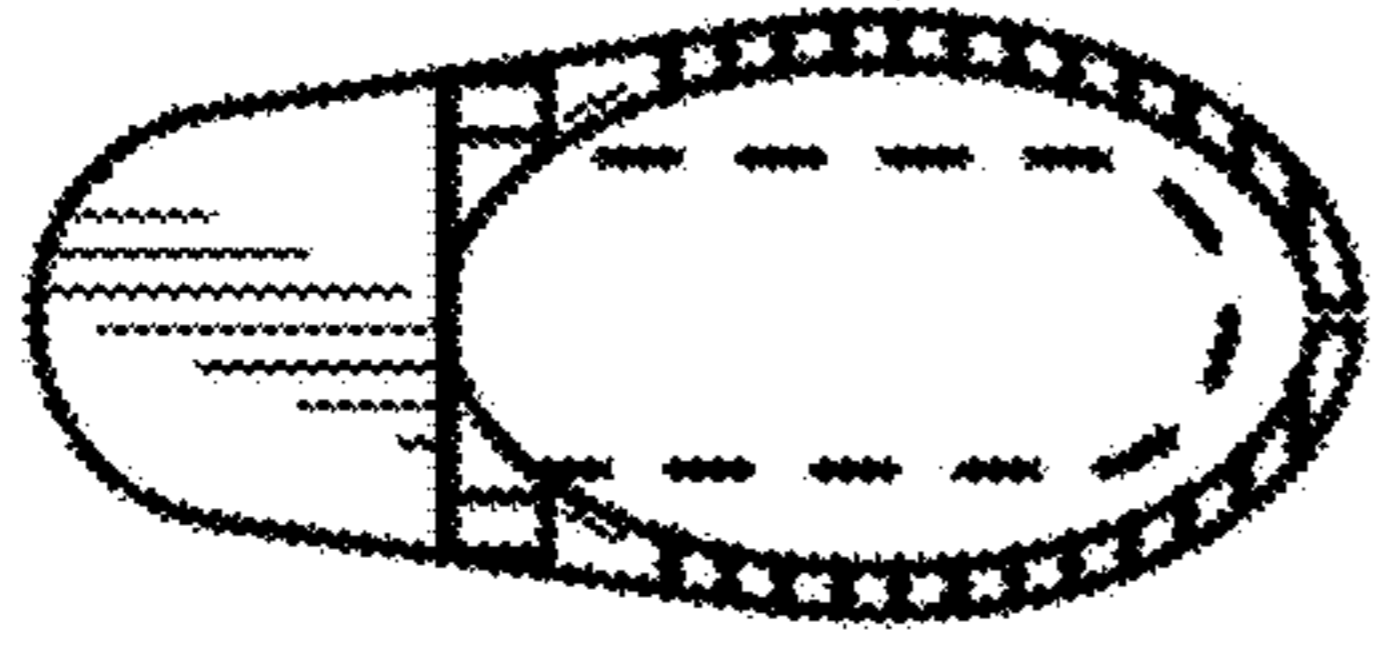


FIG. 4

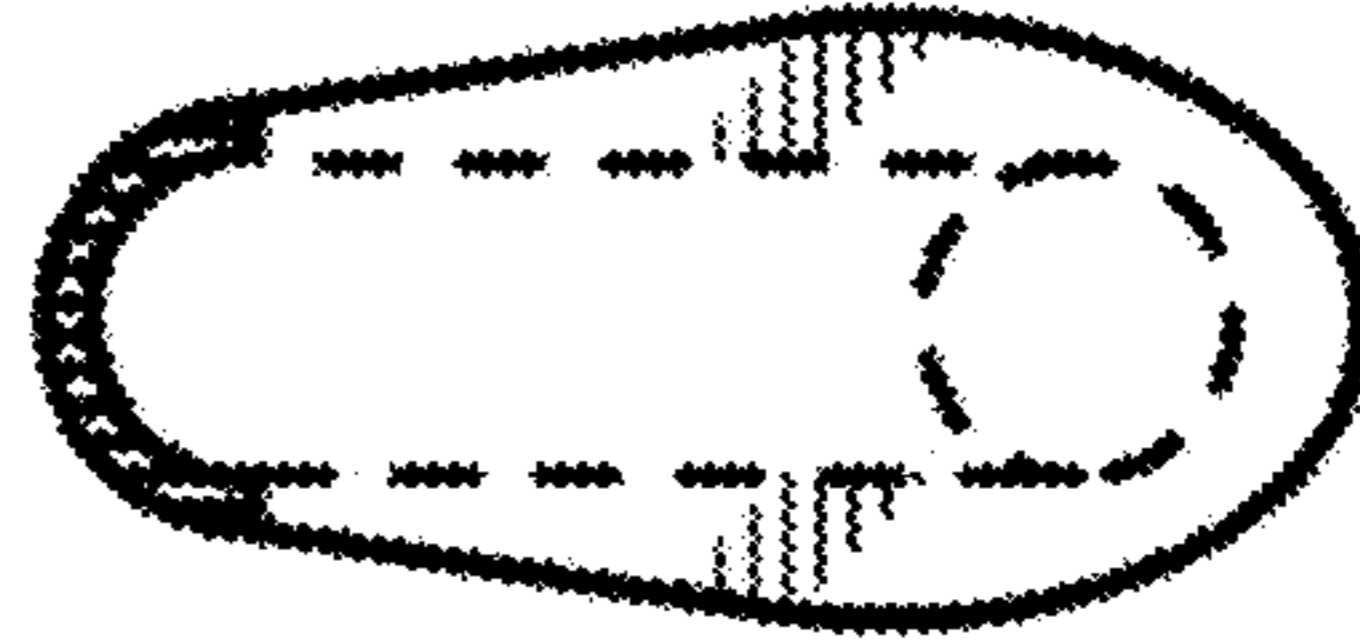


FIG. 5

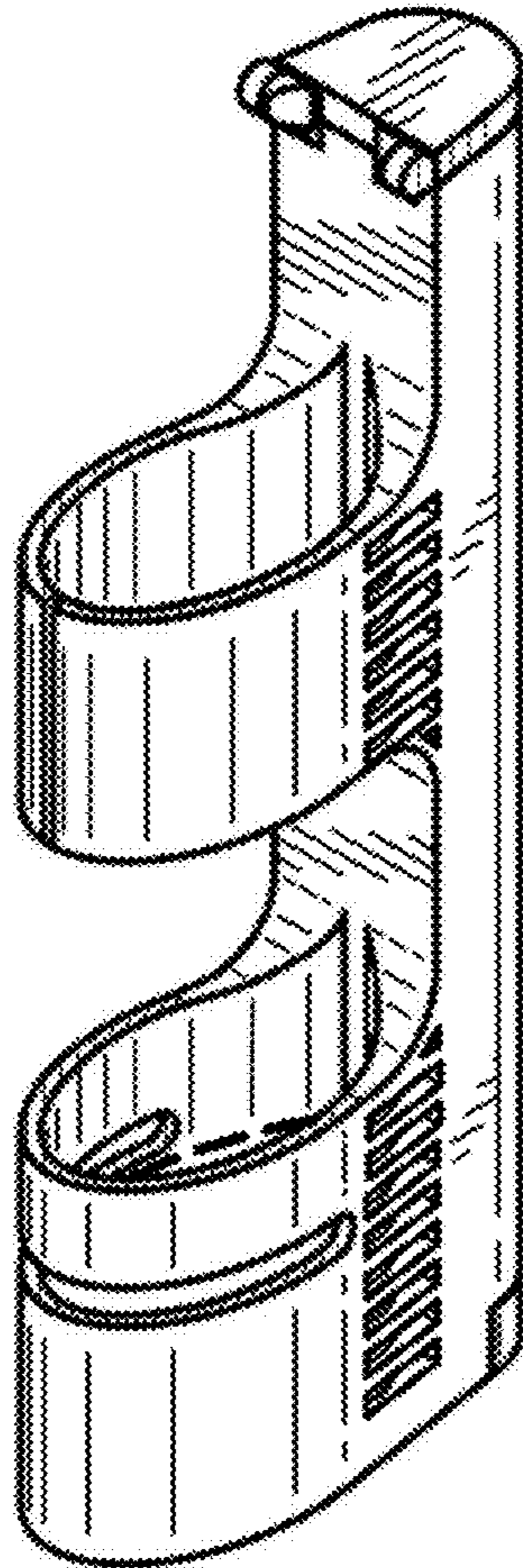


FIG. 6

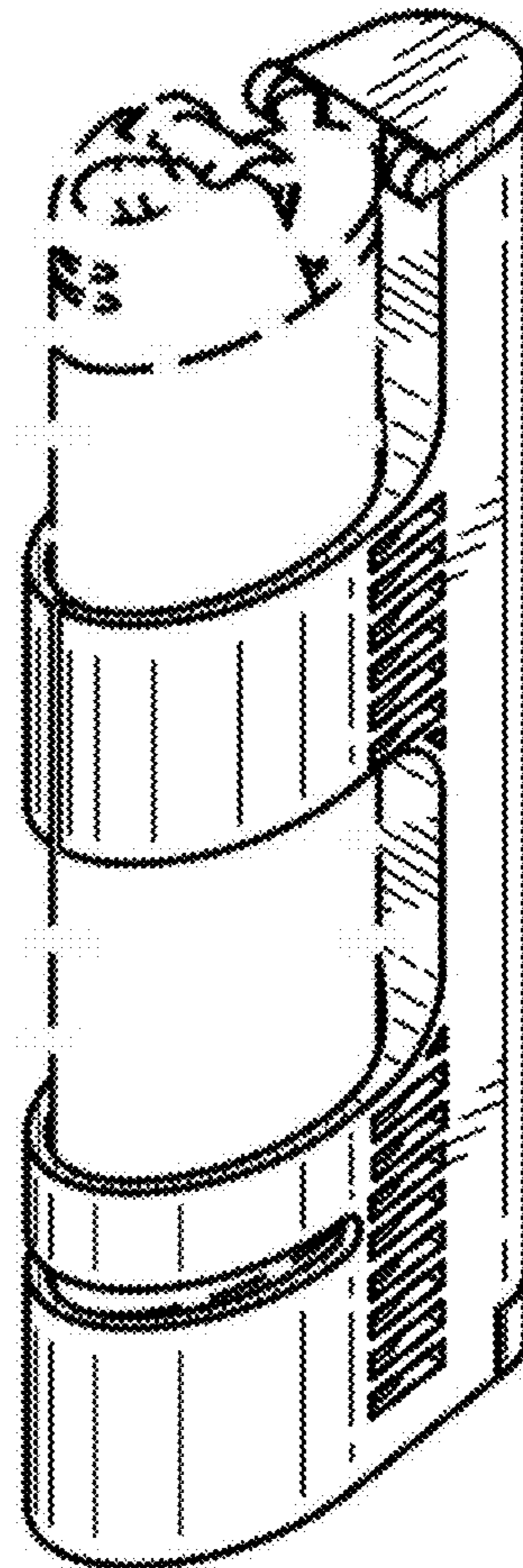


FIG. 7

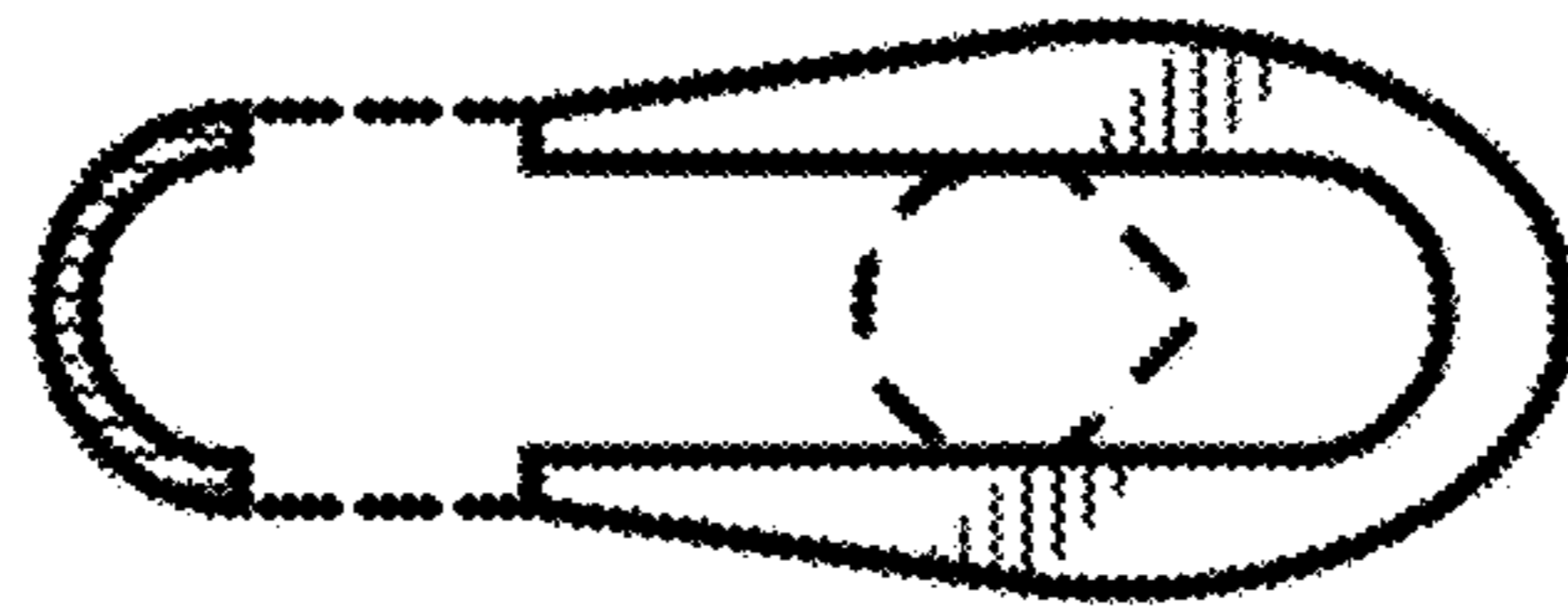


FIG. 8

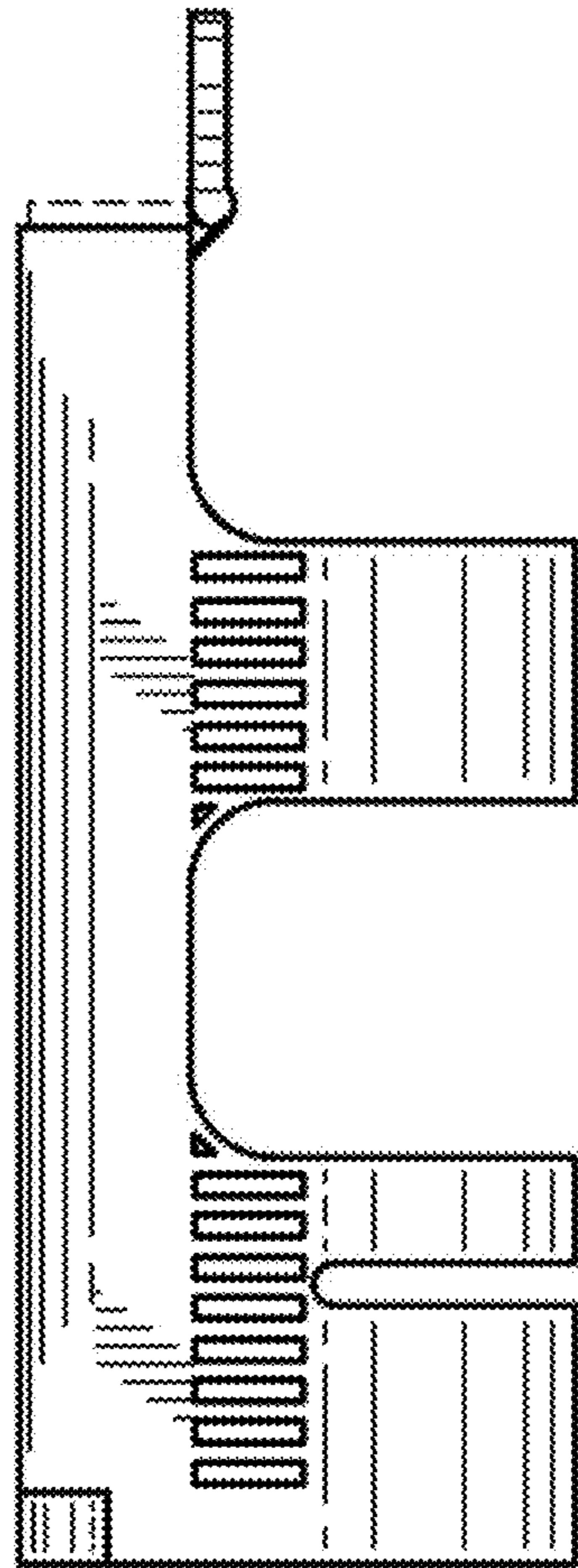


FIG. 9