



US00D863667S

(12) **United States Design Patent** (10) **Patent No.:** **US D863,667 S**
Arora (45) **Date of Patent:** **** Oct. 15, 2019**

(54) **CONTAINER WITH ASHTRAY LID**

OTHER PUBLICATIONS

(71) Applicant: **JMTD HOLDINGS LLC**, Wooster, OH (US)

Ashtray Coffee Time by Rakuten. review dated Apr. 14, 2016. found online [Sep. 21, 2018] https://review.rakuten.co.jp/item/1/321642_10000666/1.1/?scid=wi_rgm_productreviews_japanese.*

(72) Inventor: **Pranav Arora**, Columbus, OH (US)

(Continued)

(73) Assignee: **JMTD HOLDINGS LLC**, Wooster, OH (US)

Primary Examiner — Marissa J Cash

(74) *Attorney, Agent, or Firm* — Amin, Turocy & Watson, LLP

(**) Term: **15 Years**

(57) **CLAIM**

(21) Appl. No.: **29/622,679**

The ornamental design for an container with ashtray lid, as shown and described.

(22) Filed: **Oct. 18, 2017**

DESCRIPTION

Related U.S. Application Data

(62) Division of application No. 29/544,688, filed on Nov. 5, 2015, now abandoned.

(51) **LOC (12) Cl.** **27-03**

(52) **U.S. Cl.**
USPC **D27/105**

(58) **Field of Classification Search**
USPC D27/100, 101, 102, 103, 104, 105, 125, D27/137, 162, 163-169, 170, 171, D27/172-194; D23/366; D13/103, 108, D13/110; D9/452, 453, 454, 457; D14/435.1

CPC A24F 1/30; A24F 5/04; A24F 9/00; A24F 47/002; A24F 47/008; A24F 7/00; A61M 15/0021; G06K 7/0004

See application file for complete search history.

(56) **References Cited**

U.S. PATENT DOCUMENTS

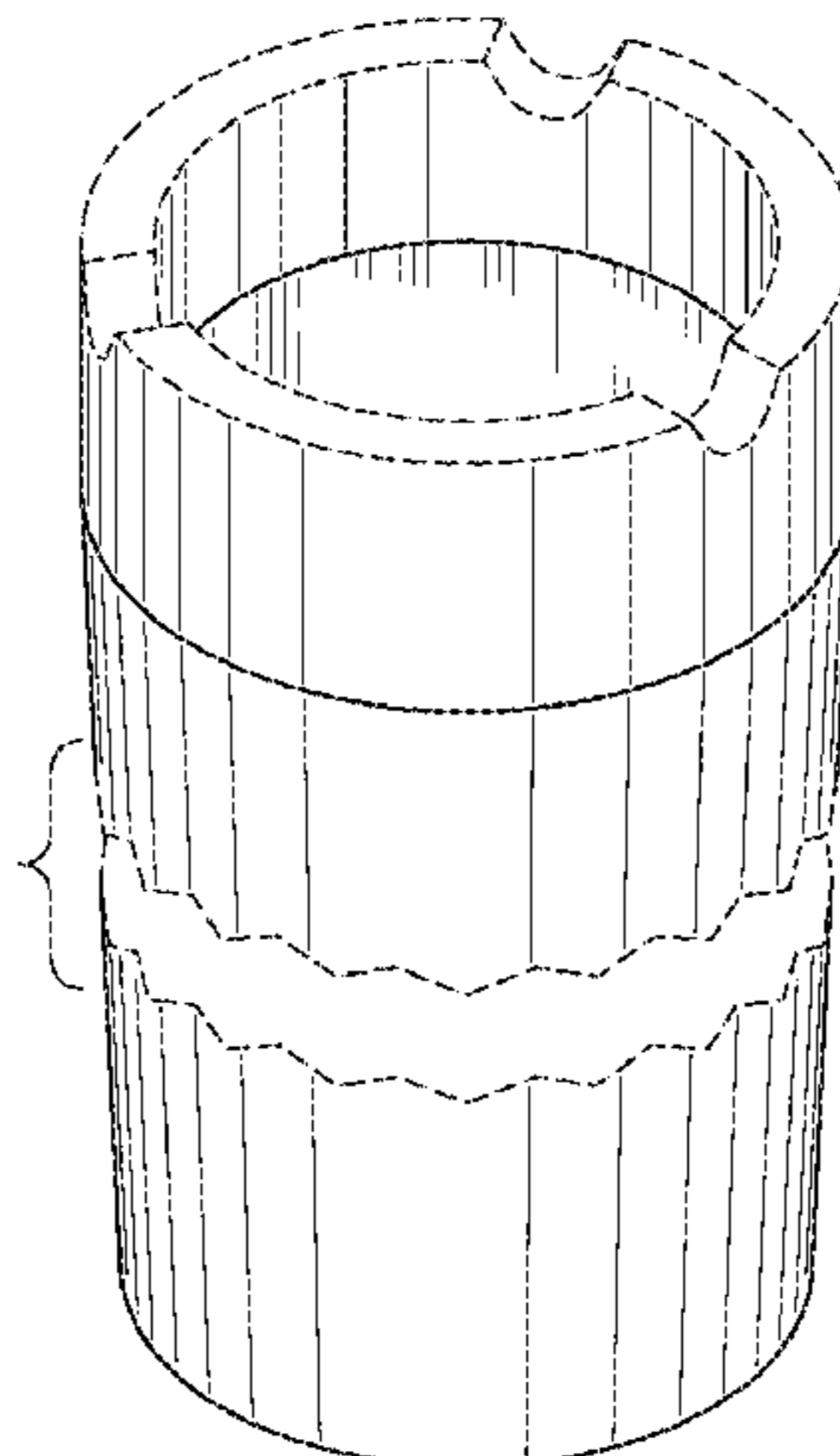
D116,973 S 10/1939 Kuhlman
D168,197 S * 11/1952 Von Bergen et al. 131/231
D168,213 S * 11/1952 Coller 131/231

(Continued)

FIG. 1 is a perspective view of a container with ashtray lid according to a first embodiment of the present design; FIG. 2 is a side view of the design of FIG. 1; FIG. 3 is another side view of the design of FIG. 1; FIG. 4 is another side view of the design of FIG. 1; FIG. 5 is another side view of the design of FIG. 1; FIG. 6 is a top view of the design of FIG. 1; FIG. 7 is bottom view of the design of FIG. 1; FIG. 8 is a perspective view of another container with ashtray lid according to a second embodiment of the present design; FIG. 9 is a side view of the design of FIG. 8; FIG. 10 is a top view of the design of FIG. 8; and, FIG. 11 is a bottom view of the design of FIG. 8.

In the drawings, the broken lines depict portions of the container with ashtray lid that form no part of the claimed design. The container with ashtray lid is shown with a symbolic break in its length. The appearance of any portion of the article between the break lines forms no part of the claimed design. The pairs of closely adjacent, spaced jagged lines in the drawings form no part of the claimed design and the portions between such pairs of jagged lines forms no part of the claimed design. Portions of the design that may be visible between the jagged lines have been removed for clarity.

1 Claim, 6 Drawing Sheets



(56)

References Cited

U.S. PATENT DOCUMENTS

D177,575 S * 5/1956 Loulk D7/511
 D212,869 S * 12/1968 Prisching D27/104
 D240,286 S * 6/1976 Sarpaneva D7/509
 D244,302 S * 5/1977 Bradley D27/104
 D248,972 S * 8/1978 Carter D27/104
 D250,314 S * 11/1978 Elliott D7/511
 D256,279 S * 8/1980 Huggins D27/104
 D258,468 S * 3/1981 Whitlock D27/104
 D259,217 S * 5/1981 Smith D27/104
 D259,757 S * 7/1981 Perrin D7/509
 D261,690 S * 11/1981 Murray, Jr. D27/163
 4,312,346 A * 1/1982 Grigg A24F 19/00
 131/231
 D267,461 S * 1/1983 Crisman D7/507
 D300,955 S * 5/1989 Sweeny
 D332,891 S * 2/1993 Cumberland D12/419
 D333,409 S * 2/1993 Dietzmann D7/507
 5,186,182 A * 2/1993 Lin
 D340,836 S * 11/1993 Cautereels D7/300.1
 D362,921 S * 10/1995 Krystek
 D381,115 S * 7/1997 Dicicco D27/125
 D395,097 S * 6/1998 Barton D27/135
 D399,025 S * 9/1998 Whitlock
 D402,078 S * 12/1998 Fleischhauer D27/194
 D453,657 S * 2/2002 Eklin D7/315
 D468,857 S * 1/2003 Foote D27/104
 6,606,996 B1 * 8/2003 Thornell et al.
 D482,570 S * 11/2003 Henderson D7/300.1
 D493,011 S * 7/2004 Foote D27/104
 D495,208 S * 8/2004 Putnam D7/300.1
 D496,753 S * 9/2004 Thornell D27/105
 D505,225 S * 5/2005 Pavic D27/103
 D519,672 S * 4/2006 Haywood
 D521,679 S * 5/2006 Haywood
 D547,611 S * 7/2007 Seum D7/510
 D551,386 S * 9/2007 Dayan D27/105

D551,502 S * 9/2007 Bodum D7/509
 D578,827 S * 10/2008 Barducci D7/507
 D599,168 S * 9/2009 Alviar D7/510
 D623,589 S * 9/2010 Tarter D13/103
 D655,134 S * 3/2012 Gilbert D7/510
 D695,138 S * 12/2013 Ball D9/435
 D721,540 S * 1/2015 Grcic D7/511
 D729,011 S * 5/2015 Boroski D7/511
 D752,391 S * 3/2016 Hatherell D7/510
 D757,497 S * 5/2016 Bodum D7/509
 D779,272 S * 2/2017 Lee D7/510
 D779,291 S * 2/2017 Kassouni D7/669
 D780,992 S * 3/2017 Lozier D27/103
 D790,276 S * 6/2017 Lane D7/507
 D793,147 S * 8/2017 Bodum D7/316
 D798,663 S * 10/2017 Matsui D7/507
 D802,837 S * 11/2017 Thompson D27/186
 D804,254 S * 12/2017 Seiders D7/608
 D807,595 S * 1/2018 Valle D30/199
 D808,734 S * 1/2018 Beckman D7/608
 D811,169 S * 2/2018 Yao D7/511
 D814,240 S * 4/2018 Kabalin D7/510
 D814,931 S * 4/2018 Alima D9/504
 D815,906 S * 4/2018 Yee D7/511
 D816,422 S * 5/2018 Nguyen D7/603
 D817,096 S * 5/2018 Kauss D7/511
 D817,715 S * 5/2018 Gispert D7/511

OTHER PUBLICATIONS

Jumbo Butt Bucket Ashtray. By AllTopBargains. dated Feb. 18, 2017. found online [Mar. 11, 2019].<https://www.walmart.com/ip/2-Jumbo-Butt-Bucket-Ashtray-Cigarette-Extinguishing-Car-Cup-Ash-Holder-Portable/130946163>.
 Office Action dated Apr. 18, 2017 for Design U.S. Appl. No. 29/544,688, 6 pages.

* cited by examiner

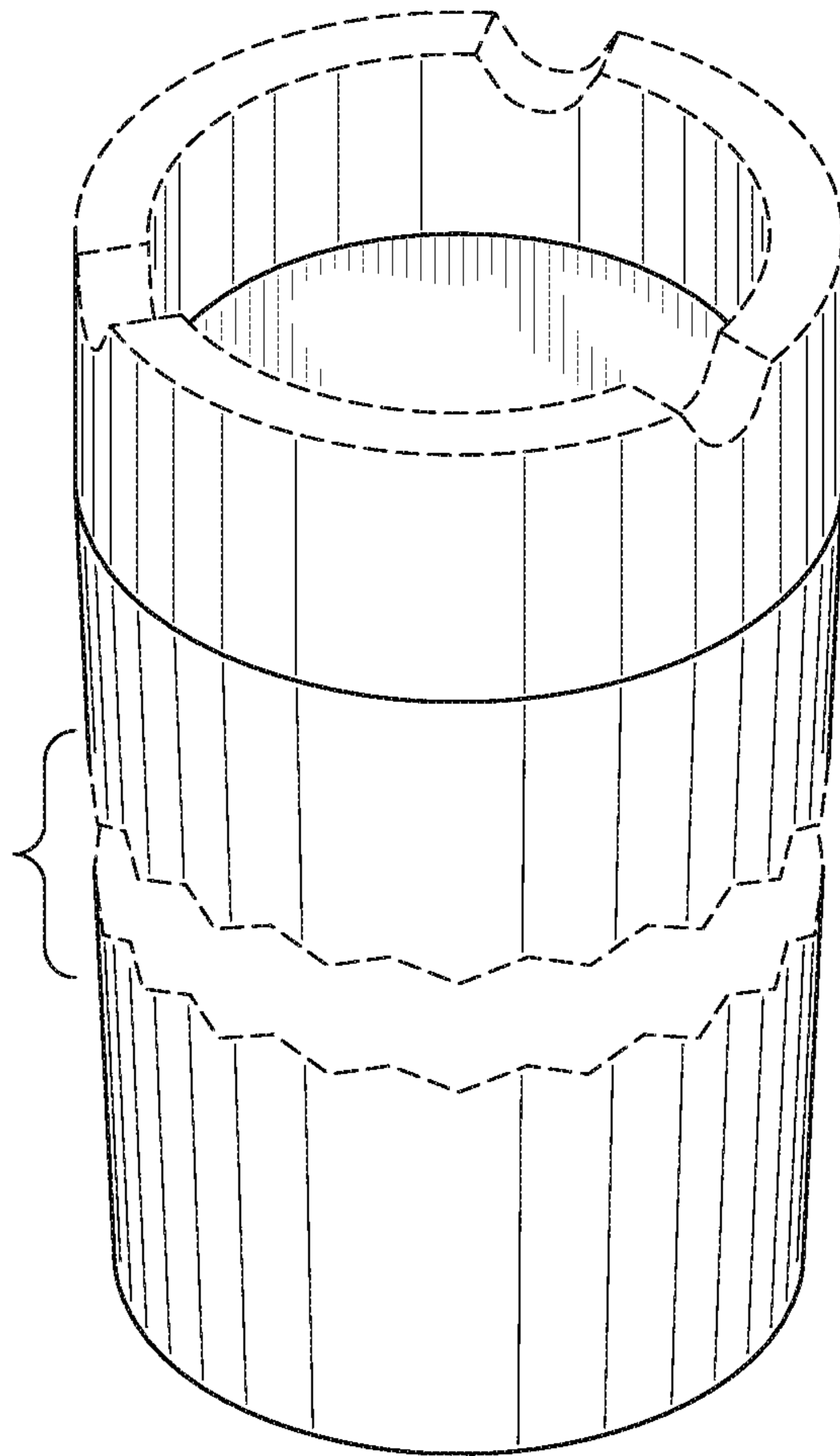


FIG. 1

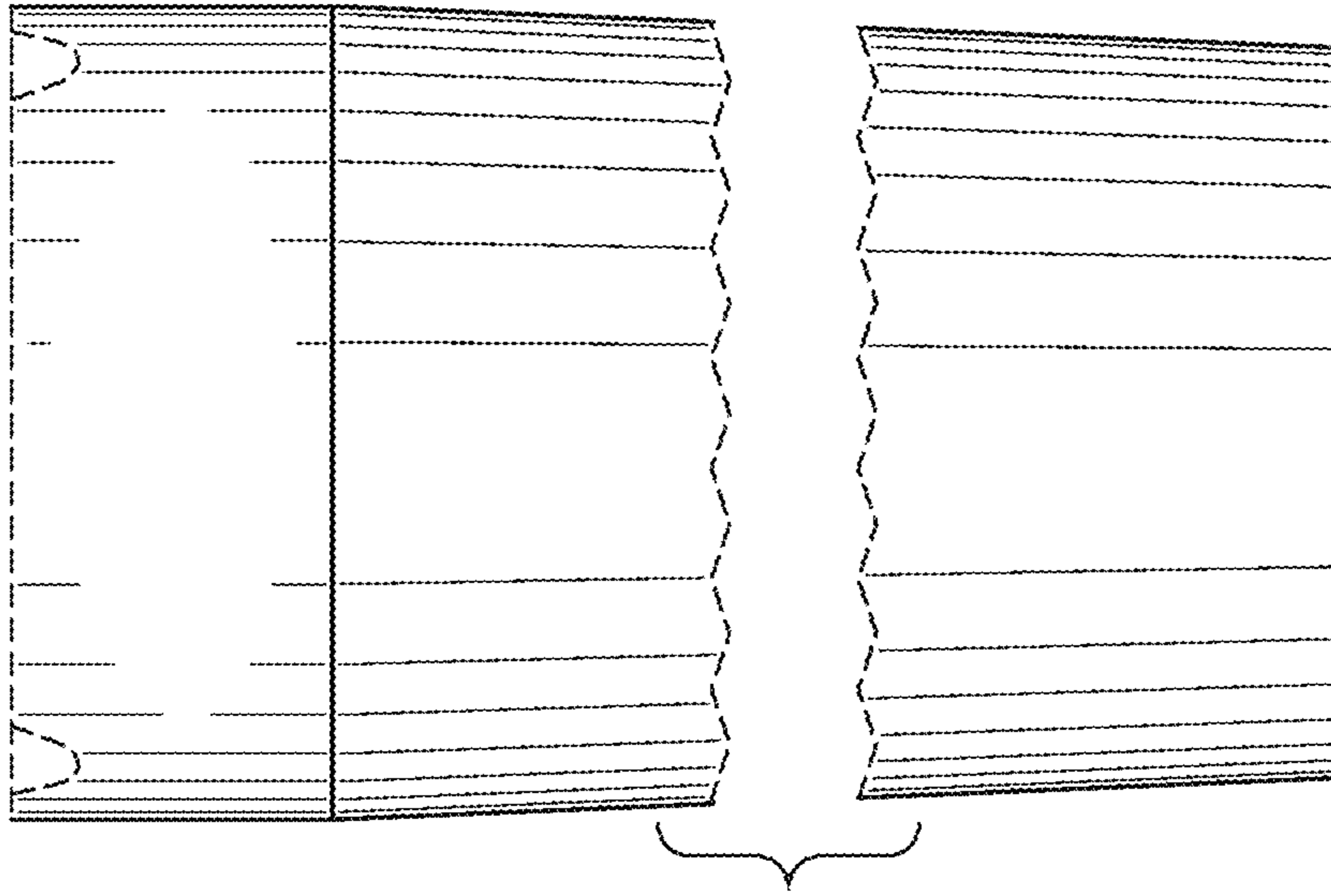


FIG. 3

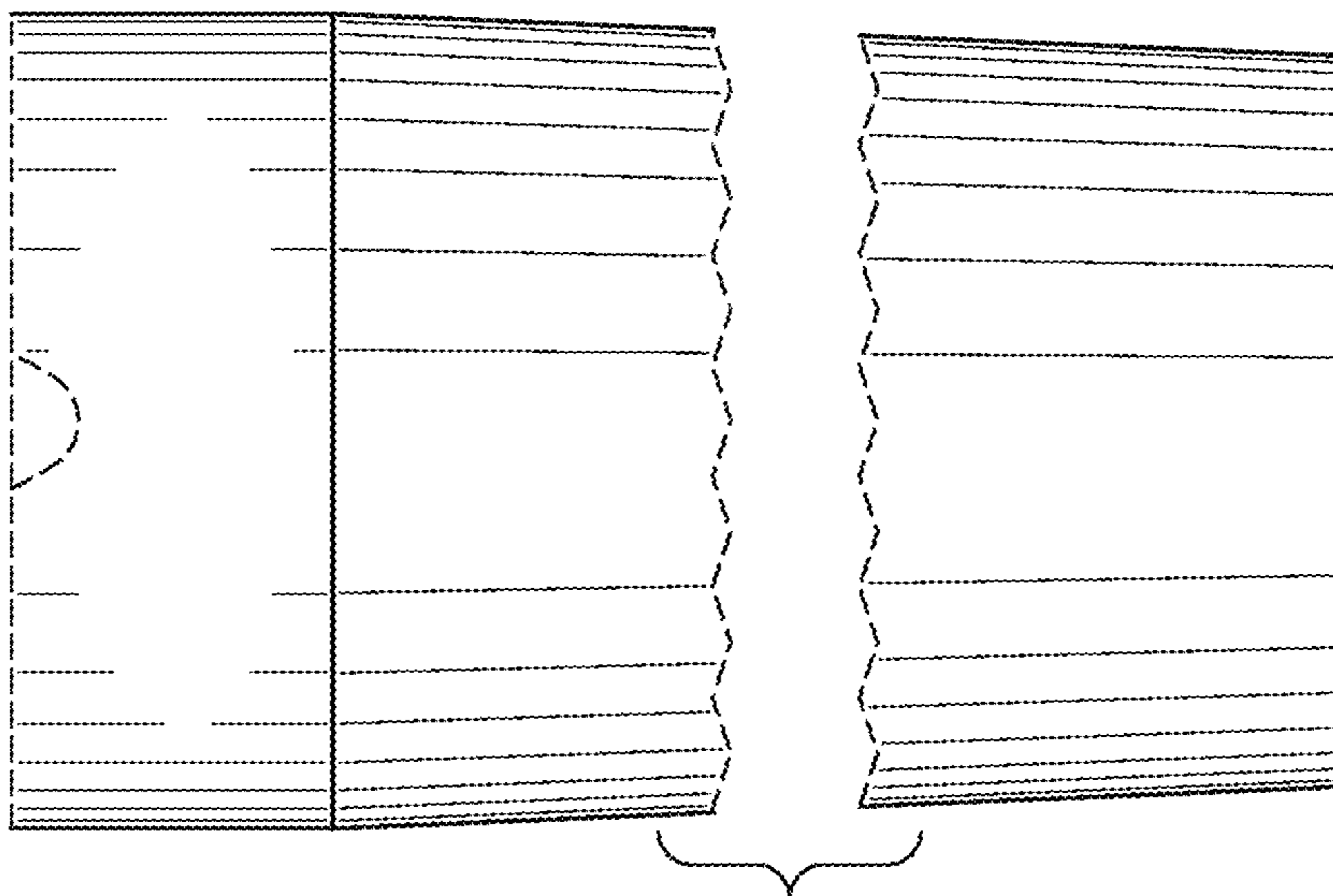


FIG. 2

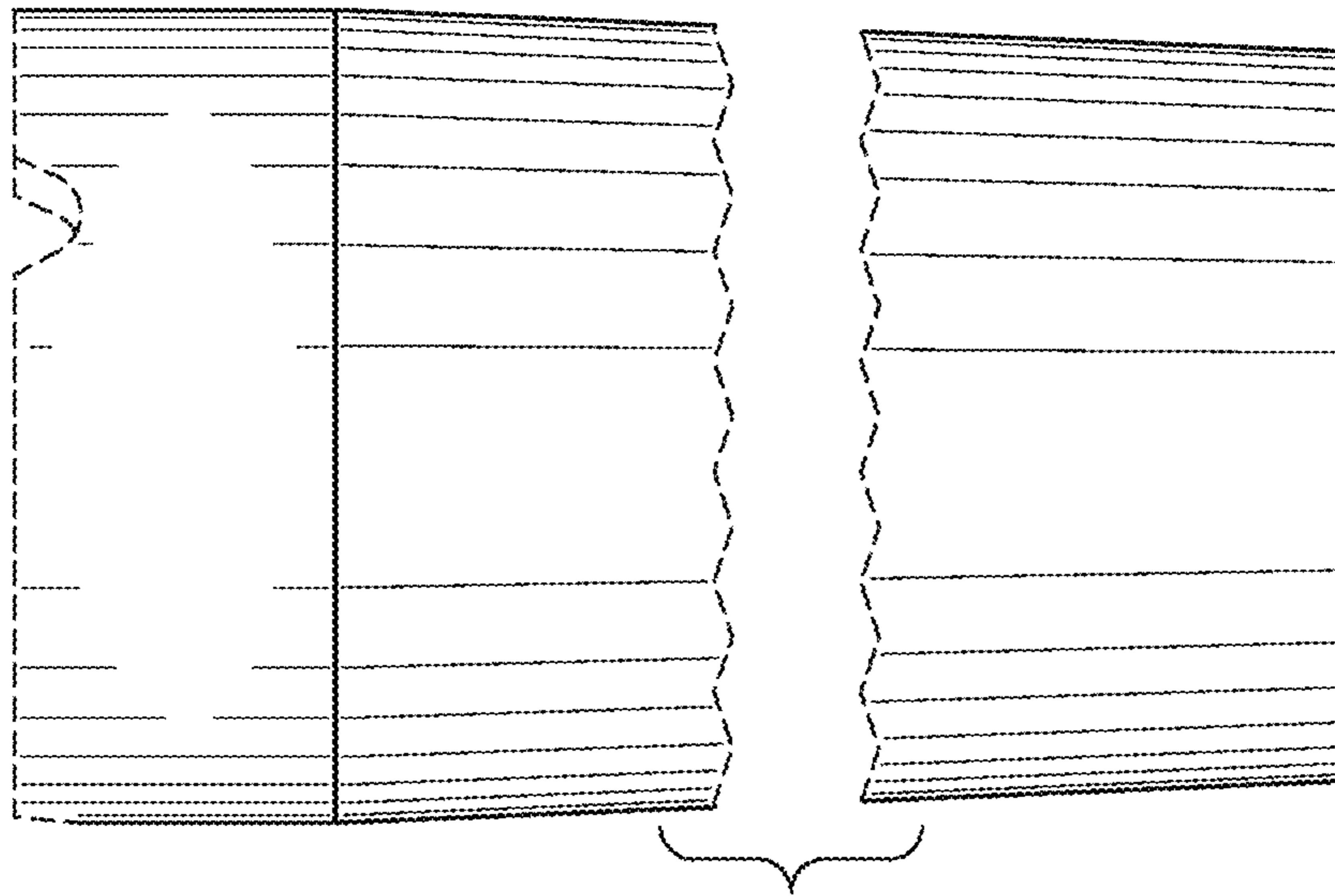


FIG. 5

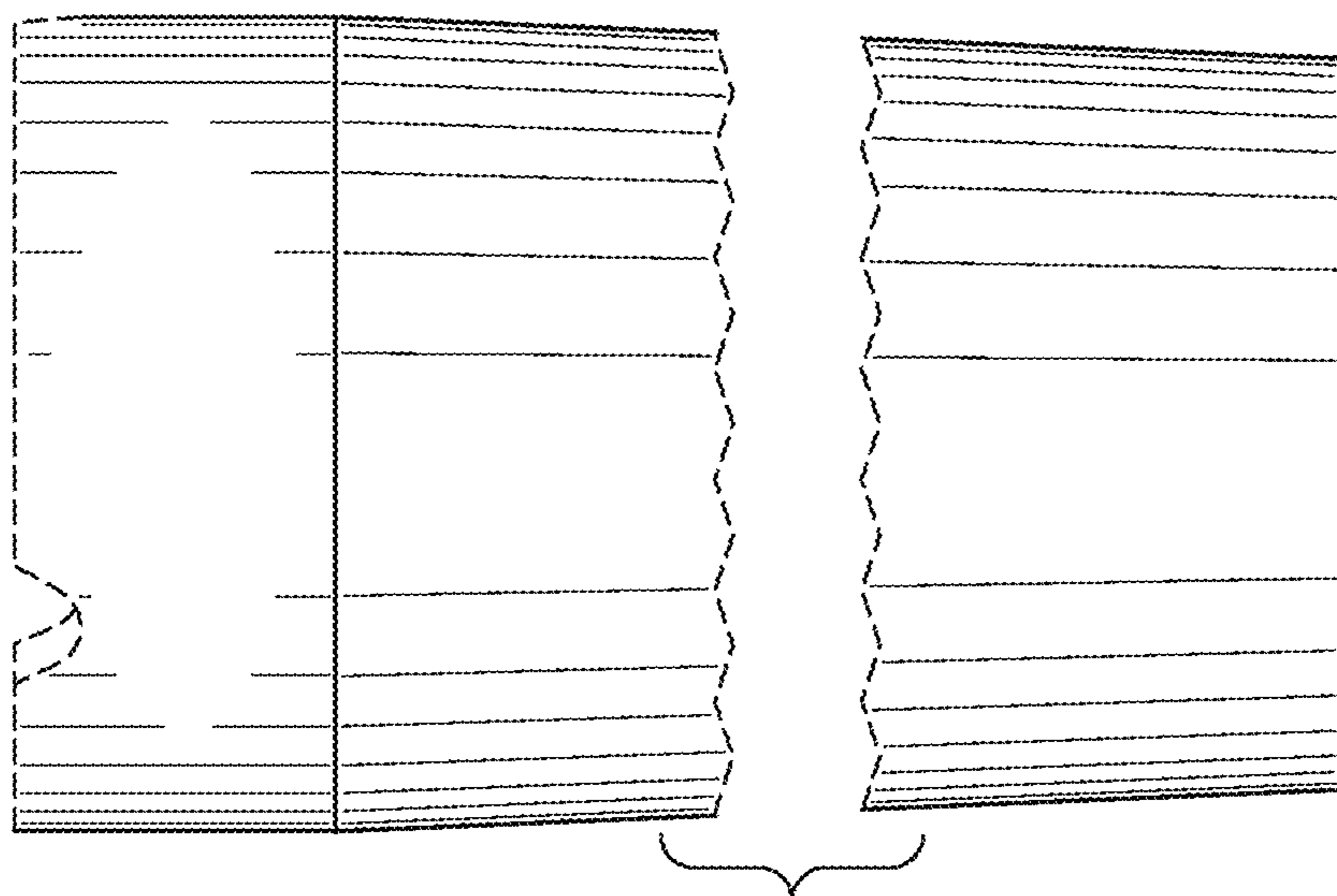


FIG. 4

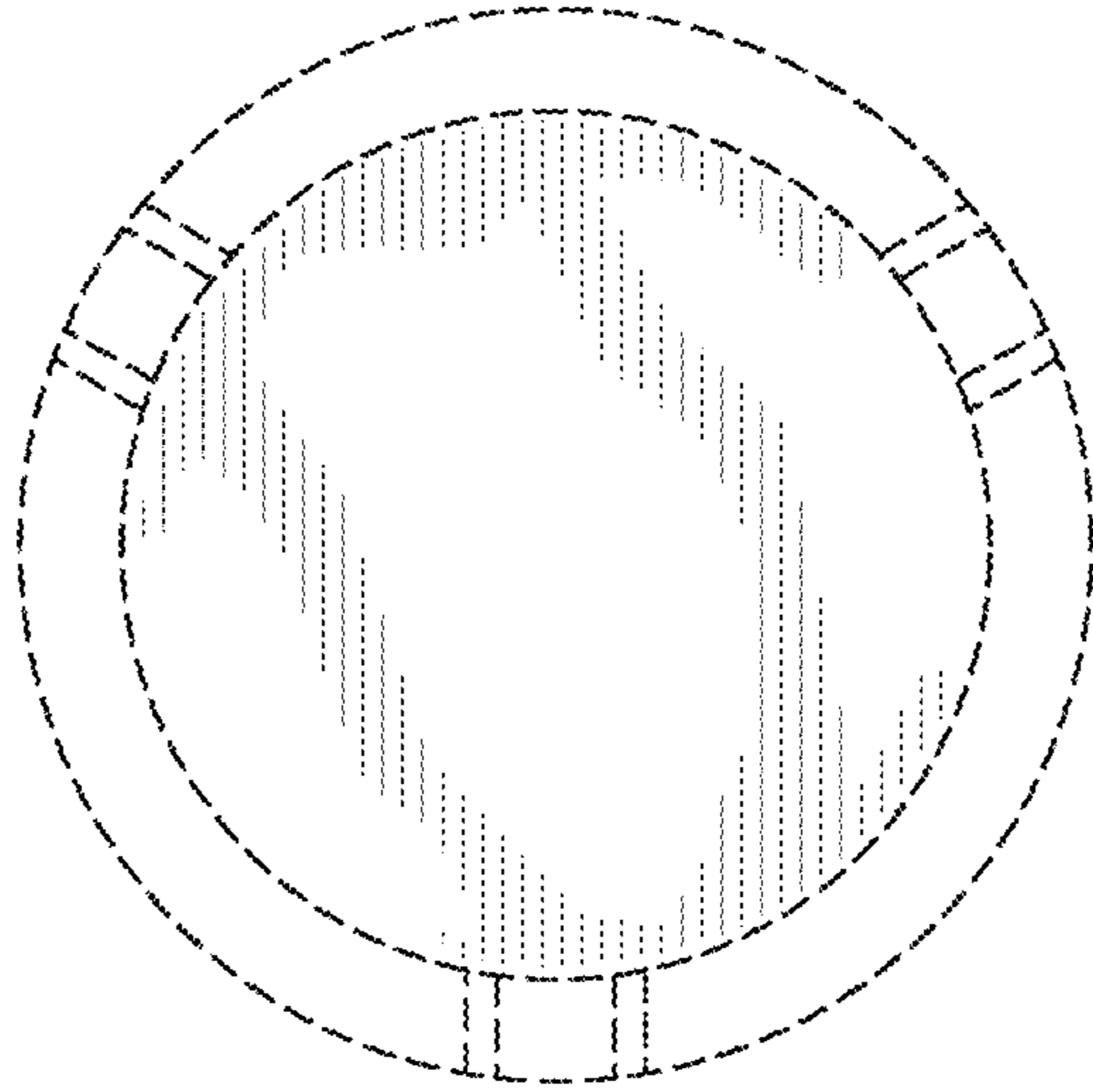


FIG. 6

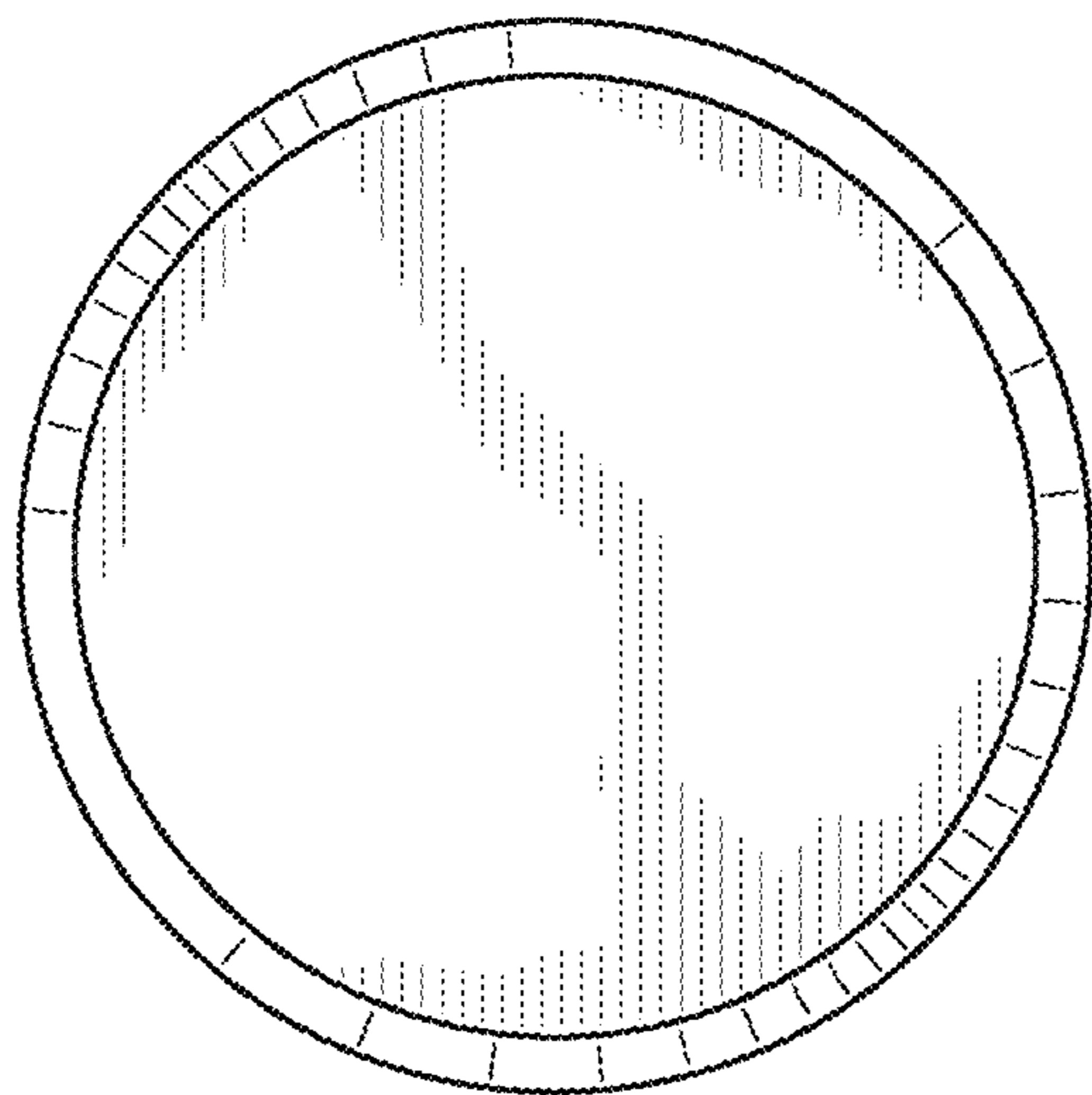


FIG. 7

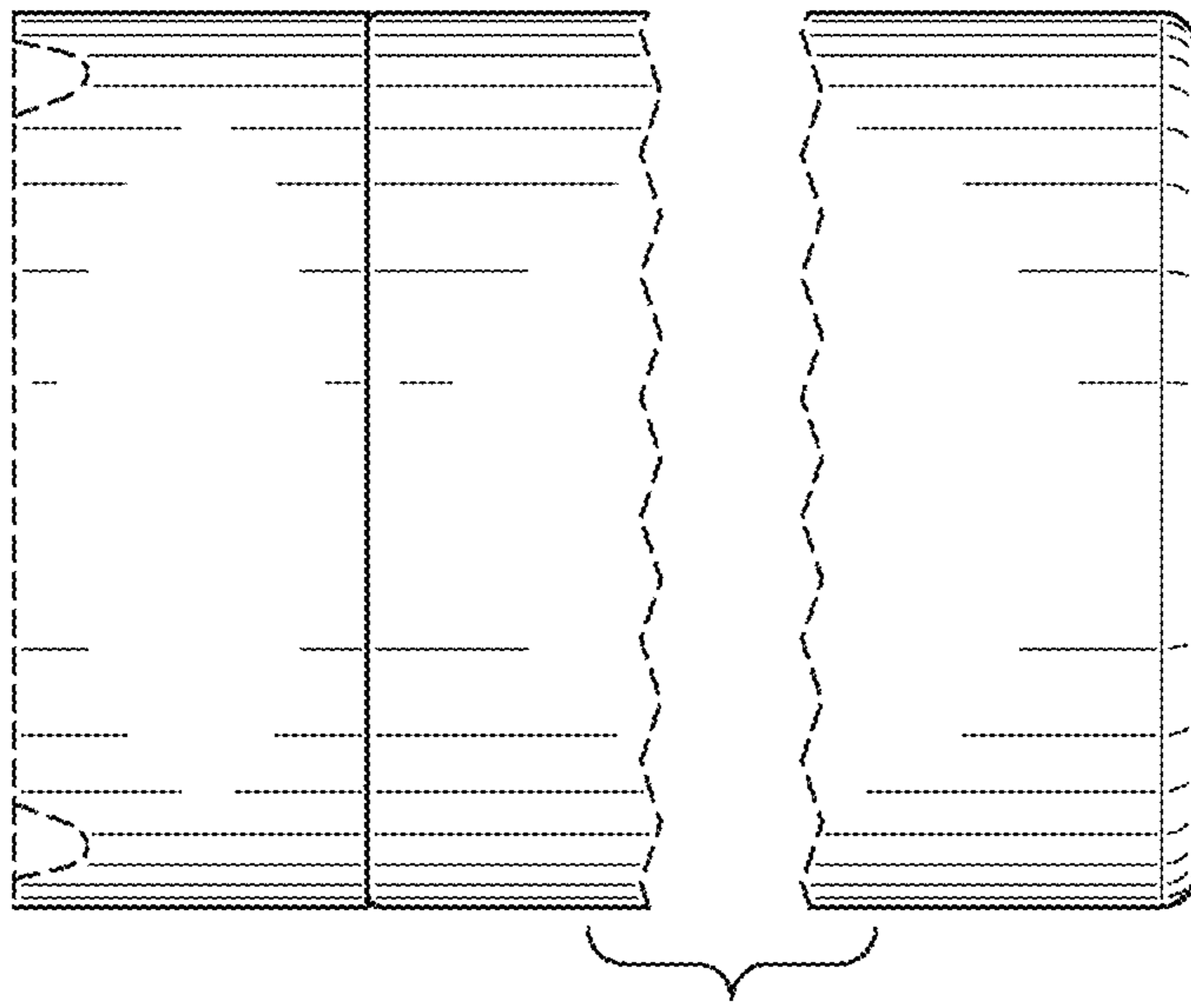


FIG. 9

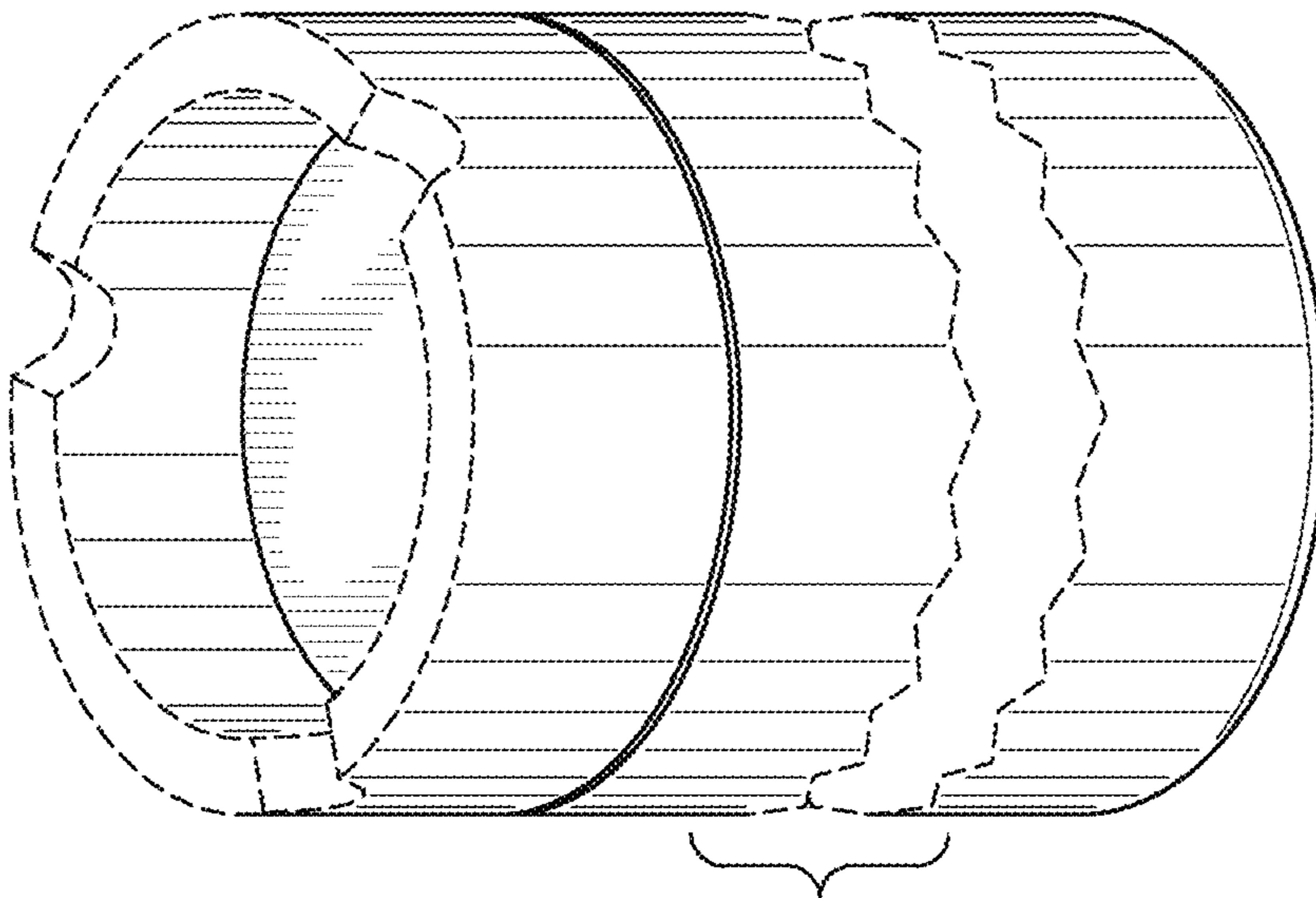


FIG. 8

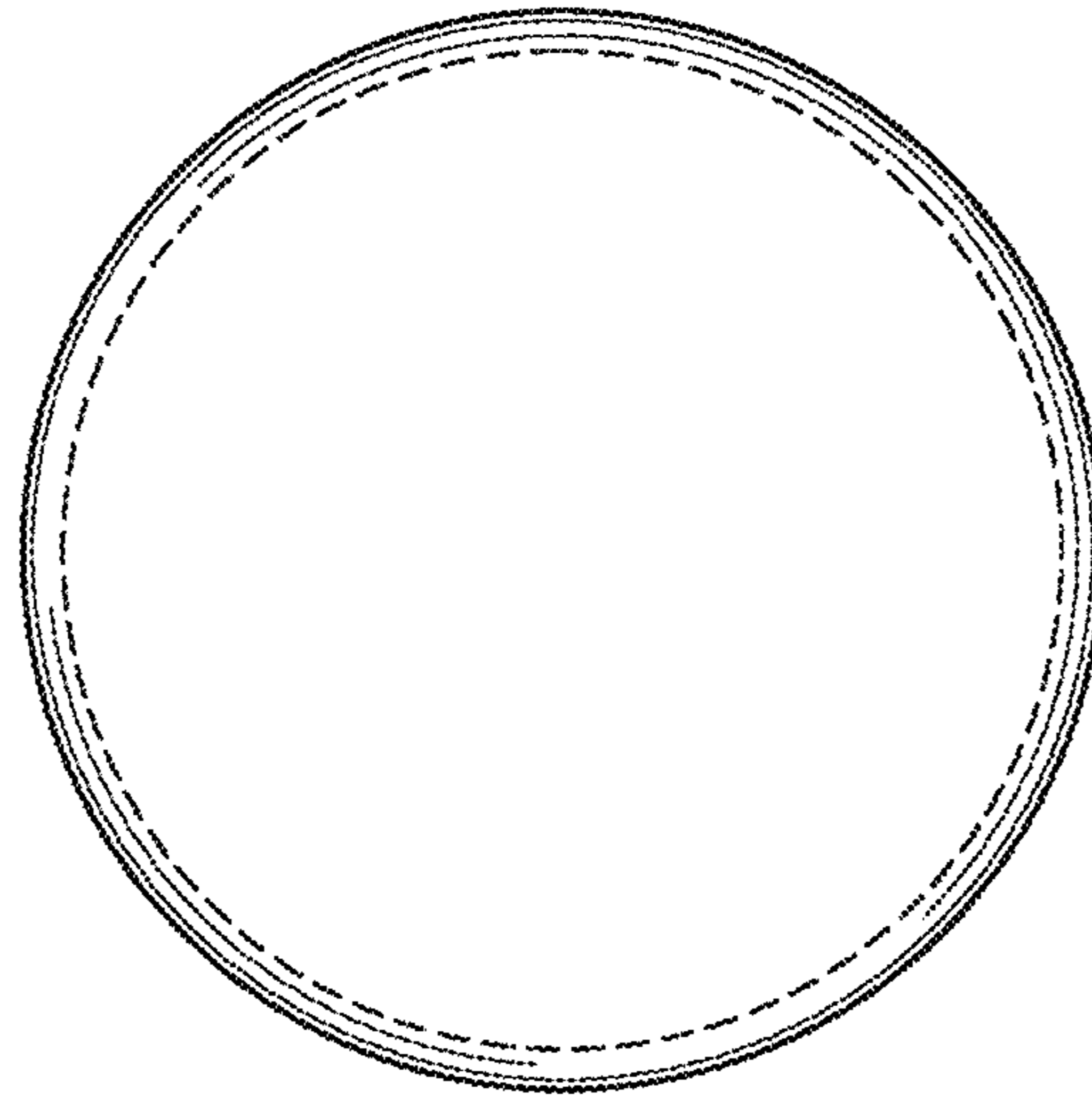


FIG. 11

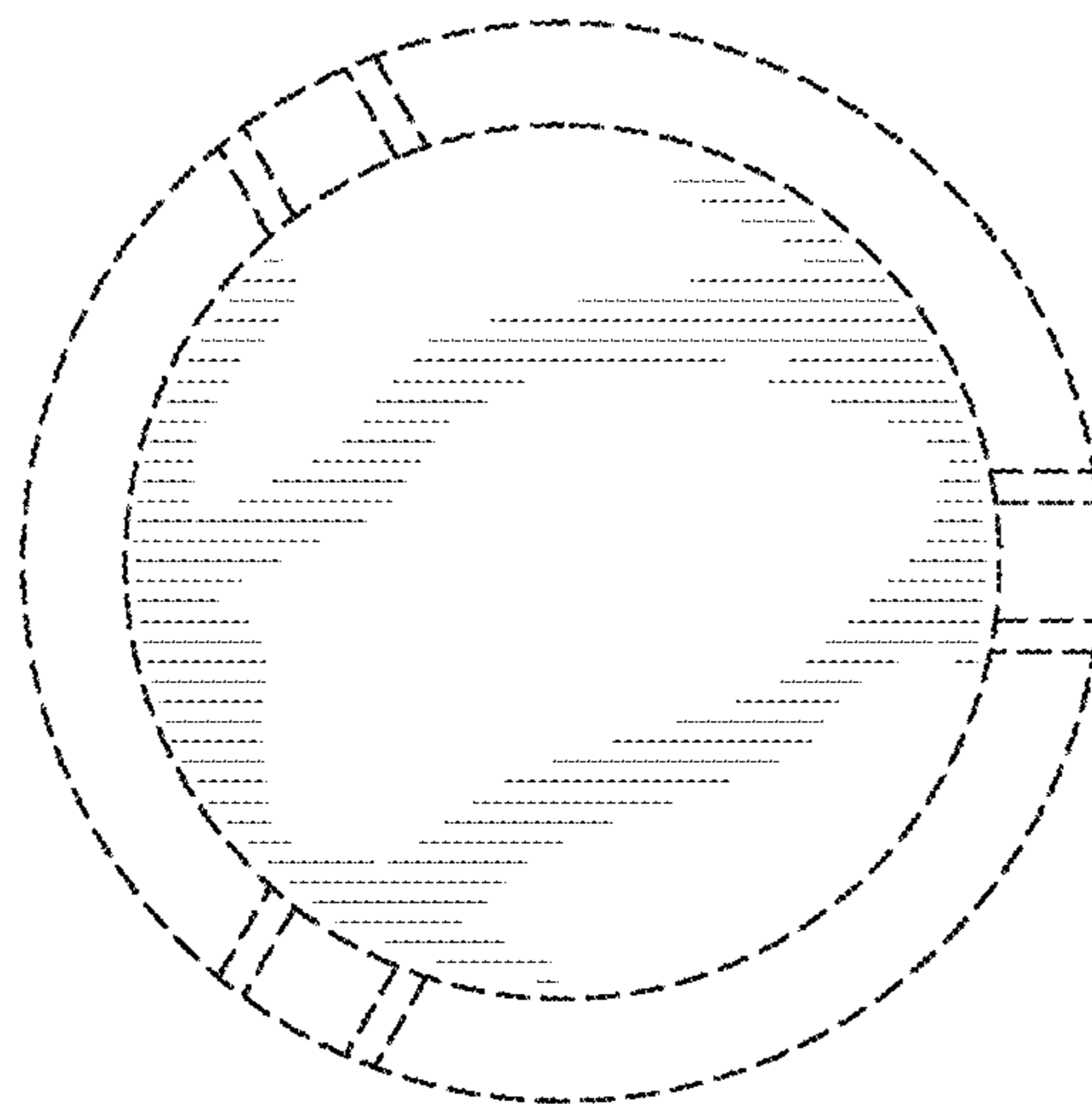


FIG. 10