



US00D863666S

(12) **United States Design Patent**  
**Wang et al.**

(10) **Patent No.:** **US D863,666 S**  
(45) **Date of Patent:** **\*\* Oct. 15, 2019**

- (54) **ELECTRONIC CIGARETTE**
- (71) Applicant: **Boulder (Shenzhen) Technologies, Inc.**,  
Shenzhen, Guangdong (CN)
- (72) Inventors: **Zeqi Wang**, Guangdong (CN); **Robert Mitchell Spircoff, II**, Guangdong (CN);  
**Victor Jacques Arthur Declety**,  
Guangdong (CN)
- (73) Assignee: **Boulder (Shenzhen) Technologies, Inc.**,  
Shenzhen (CN)
- (\*\*) Term: **15 Years**
- (21) Appl. No.: **29/643,937**
- (22) Filed: **Apr. 13, 2018**
- (30) **Foreign Application Priority Data**  
Nov. 10, 2017 (CN) ..... 2017 3 0554098
- (51) **LOC (12) Cl.** ..... **27-01**
- (52) **U.S. Cl.**  
USPC ..... **D27/101**
- (58) **Field of Classification Search**  
USPC ..... D27/100, 101, 162–196; D23/366;  
D24/110; D19/101, 106, 115, 165, 195;  
D7/416; D3/212, 247; D21/394, 573,  
D21/574, 682  
CPC ..... A24F 47/00; A24F 47/002; A24F 15/12;  
A24F 1/32; A24F 15/18  
See application file for complete search history.

- (56) **References Cited**  
**U.S. PATENT DOCUMENTS**  
D644,375 S \* 8/2011 Zhou ..... D27/101  
D653,803 S \* 2/2012 Timmermans ..... D27/163  
D687,181 S \* 7/2013 Goch ..... D27/101  
D688,415 S \* 8/2013 Kim ..... D27/101

- D688,416 S \* 8/2013 Liu ..... D27/101
- D693,053 S \* 11/2013 Chen ..... D27/101
- D694,468 S \* 11/2013 Chen ..... D27/101
- D695,450 S \* 12/2013 Benassayag ..... D24/110.5
- D718,492 S \* 11/2014 Albanese ..... D27/101
- D720,094 S \* 12/2014 Alima ..... D27/101
- D720,496 S \* 12/2014 Alima ..... D27/101
- D720,881 S \* 1/2015 Liu ..... D27/101
- D720,883 S \* 1/2015 Albanese ..... D27/101
- D723,215 S \* 2/2015 Chen ..... D27/101
- D723,216 S \* 2/2015 Chen ..... D27/101
- D724,782 S \* 3/2015 Wu ..... D27/101
- D725,310 S \* 3/2015 Eksouzian ..... D27/101
- D728,155 S \* 4/2015 Liu ..... D27/101
- D729,441 S \* 5/2015 Hua ..... D27/101
- D730,571 S \* 5/2015 Chen ..... D27/101
- D732,239 S \* 6/2015 Chen ..... D27/101
- D748,852 S \* 2/2016 Wu ..... D27/101
- D748,853 S \* 2/2016 Seibel ..... D27/101

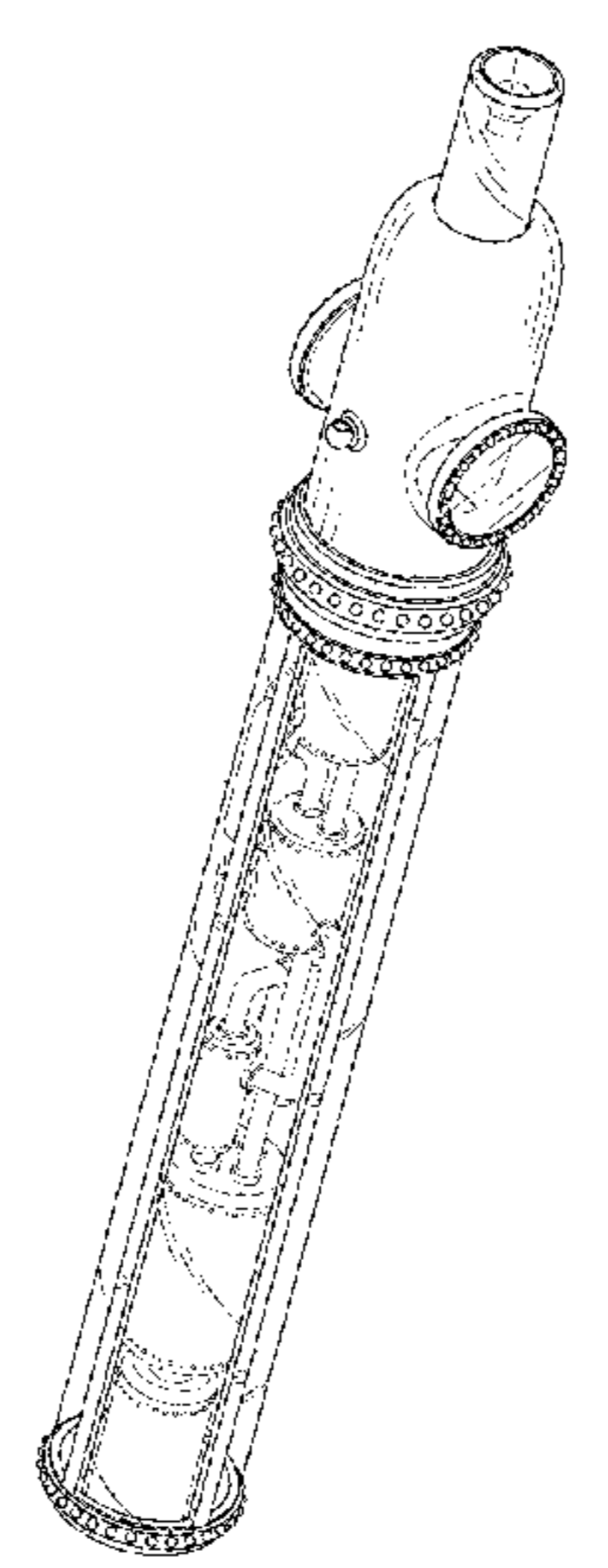
(Continued)

*Primary Examiner* — Marissa J Cash

(57) **CLAIM**  
The ornamental design for an electronic cigarette, as shown and described.

**DESCRIPTION**  
FIG. 1 is a front elevational view of an electronic cigarette showing our new design;  
FIG. 2 is a rear elevational view thereof;  
FIG. 3 is a left side view thereof;  
FIG. 4 is a right side view thereof;  
FIG. 5 is a top plan view thereof;  
FIG. 6 is a bottom plan view thereof;  
FIG. 7 is a top, rear and right side perspective view thereof;  
FIG. 8 is a bottom, front and left side perspective view thereof;  
FIG. 9 is an enlarged view of portion 9 in FIG. 1; and,  
FIG. 10 is an enlarged view of portion 10 in FIG. 8.  
The oblique lines depict transparency.

**1 Claim, 9 Drawing Sheets**



(56)

References Cited

U.S. PATENT DOCUMENTS

D752,278 S \* 3/2016 Verleur ..... D13/103  
 D758,647 S \* 6/2016 Liu ..... D27/101  
 D758,649 S \* 6/2016 Liu ..... D27/101  
 D758,651 S \* 6/2016 Wu ..... D27/101  
 D758,654 S \* 6/2016 Liu ..... D27/163  
 D759,297 S \* 6/2016 Liu ..... D27/101  
 D759,303 S \* 6/2016 Afridi ..... D27/101  
 D761,998 S \* 7/2016 Pinder ..... D27/101  
 D764,703 S \* 8/2016 Liu ..... D27/101  
 D765,308 S \* 8/2016 Liu ..... D27/101  
 D765,907 S \* 9/2016 Liu ..... D27/101  
 D768,914 S \* 10/2016 Liu ..... D27/101  
 D773,727 S \* 12/2016 Eksouzian ..... D27/101  
 D776,869 S \* 1/2017 Heidl ..... D27/163  
 D778,492 S \* 2/2017 Liu ..... D27/101  
 D778,493 S \* 2/2017 Scott ..... D27/101  
 D779,722 S \* 2/2017 Volodarsky ..... D27/162  
 D780,372 S \* 2/2017 Liu ..... D27/101  
 D780,991 S \* 3/2017 Liu ..... D27/101  
 D784,609 S \* 4/2017 Liu ..... D27/101  
 D784,610 S \* 4/2017 Bosch ..... D27/101  
 D792,021 S \* 7/2017 Beer ..... D27/101  
 D799,745 S \* 10/2017 Qiu ..... D27/101  
 D805,246 S \* 12/2017 Fakhouri ..... D27/101  
 D805,248 S \* 12/2017 Chen ..... D27/170  
 D805,685 S \* 12/2017 Lee ..... D27/101  
 D813,447 S \* 3/2018 Watson ..... D27/162

D814,103 S \* 3/2018 Levinson ..... D27/101  
 D815,341 S \* 4/2018 Qiu ..... D27/101  
 D816,266 S \* 4/2018 Tuery ..... D27/101  
 D818,635 S \* 5/2018 Pinder ..... D27/101  
 D819,262 S \* 5/2018 Lin ..... D27/101  
 D832,498 S \* 10/2018 Chen ..... D27/101  
 D835,337 S \* 12/2018 Beer ..... D27/162  
 D844,229 S \* 3/2019 Sherwood ..... D27/162  
 D848,673 S \* 5/2019 Xu ..... D27/183  
 D849,318 S \* 5/2019 Deng ..... D27/162  
 2009/0126745 A1 \* 5/2009 Hon ..... A24F 47/008  
 131/273  
 2013/0068239 A1 \* 3/2013 Youn ..... A24F 47/008  
 131/273  
 2015/0034104 A1 \* 2/2015 Zhou ..... A24F 47/008  
 131/329  
 2015/0122252 A1 \* 5/2015 Frija ..... A24F 47/008  
 128/202.21  
 2015/0181944 A1 \* 7/2015 Li ..... A24F 47/008  
 131/329  
 2015/0342258 A1 \* 12/2015 Chen ..... H05B 3/06  
 131/329  
 2016/0295913 A1 \* 10/2016 Guo ..... B05B 17/0615  
 2016/0353799 A1 \* 12/2016 Otto ..... A24F 47/008  
 2017/0013878 A1 \* 1/2017 Schuler ..... H05B 1/0244  
 2018/0153216 A1 \* 6/2018 Wong ..... H05B 1/0277  
 2018/0325178 A1 \* 11/2018 Zhao ..... A24F 47/008  
 2019/0008207 A1 \* 1/2019 Crowe ..... A24F 47/008  
 2019/0037928 A1 \* 2/2019 Fornarelli ..... A24F 47/008

\* cited by examiner

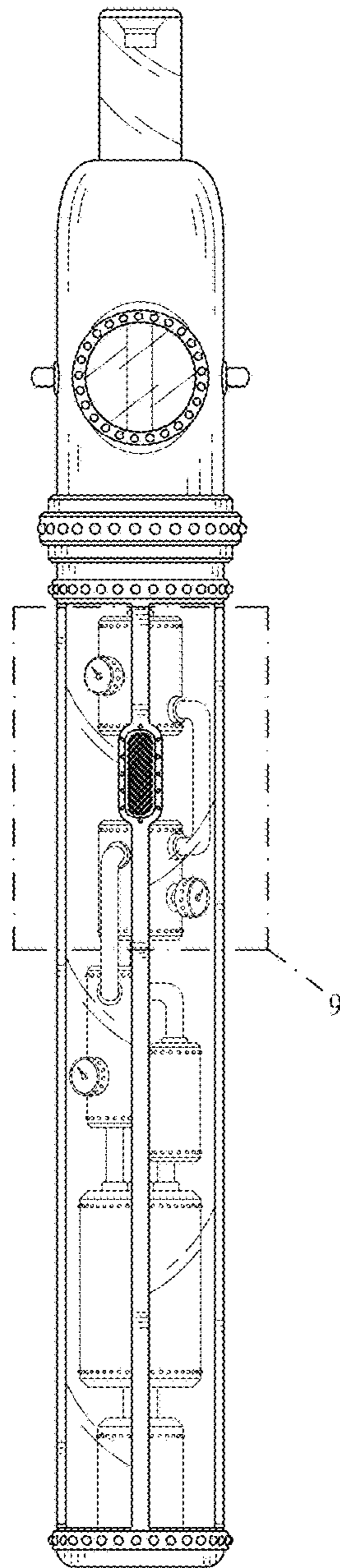


FIG. 1

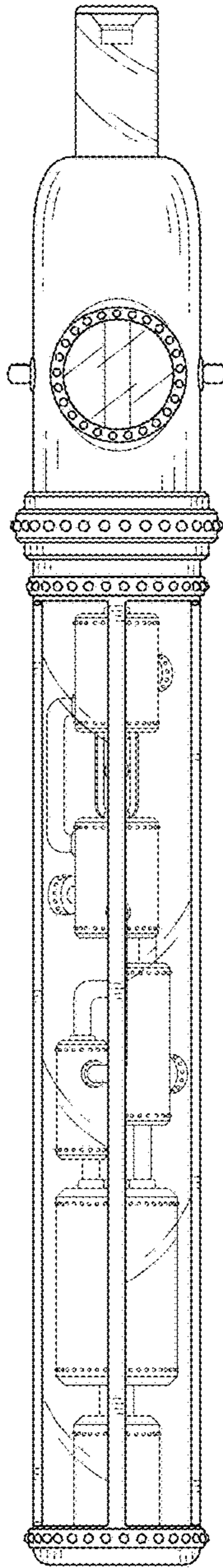


FIG.2

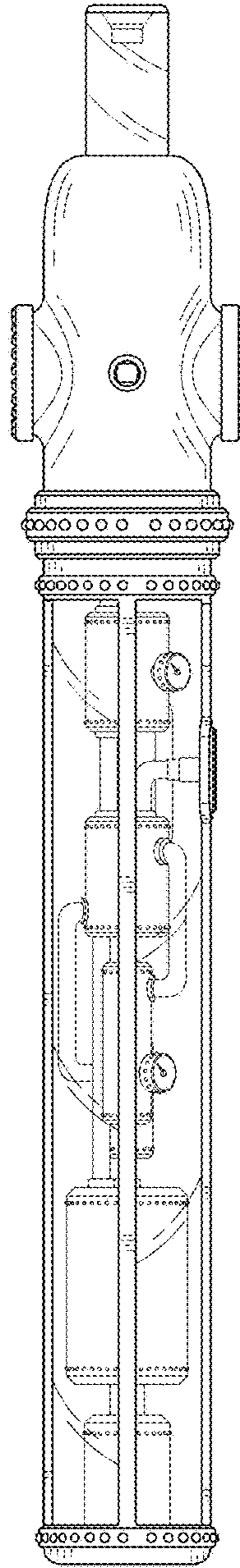


FIG.3

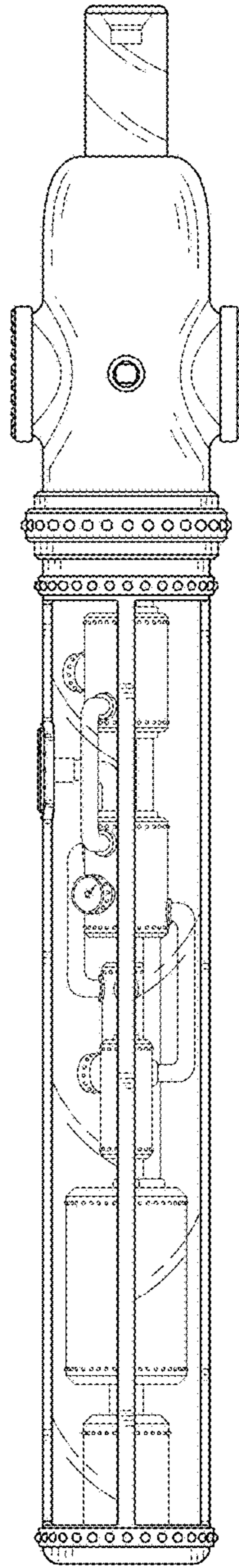


FIG.4

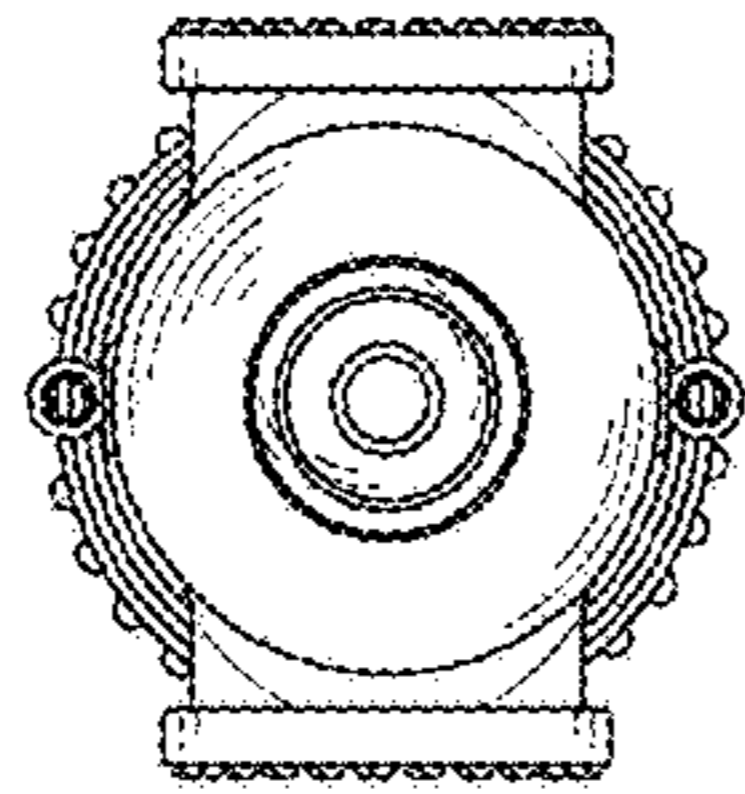


FIG. 5

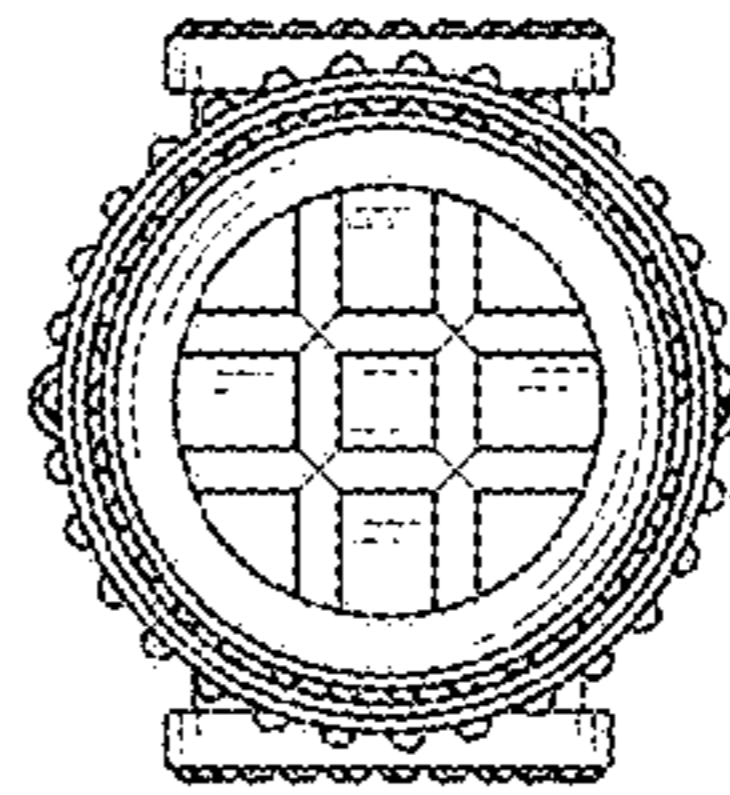


FIG. 6

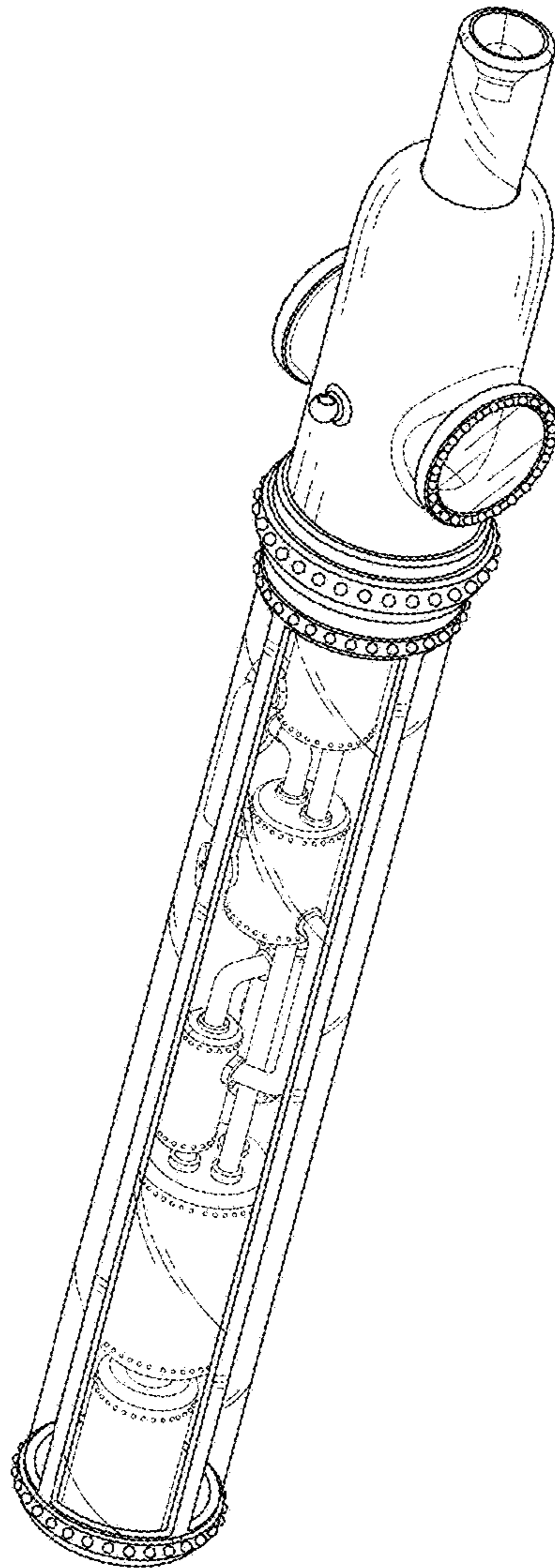


FIG.7



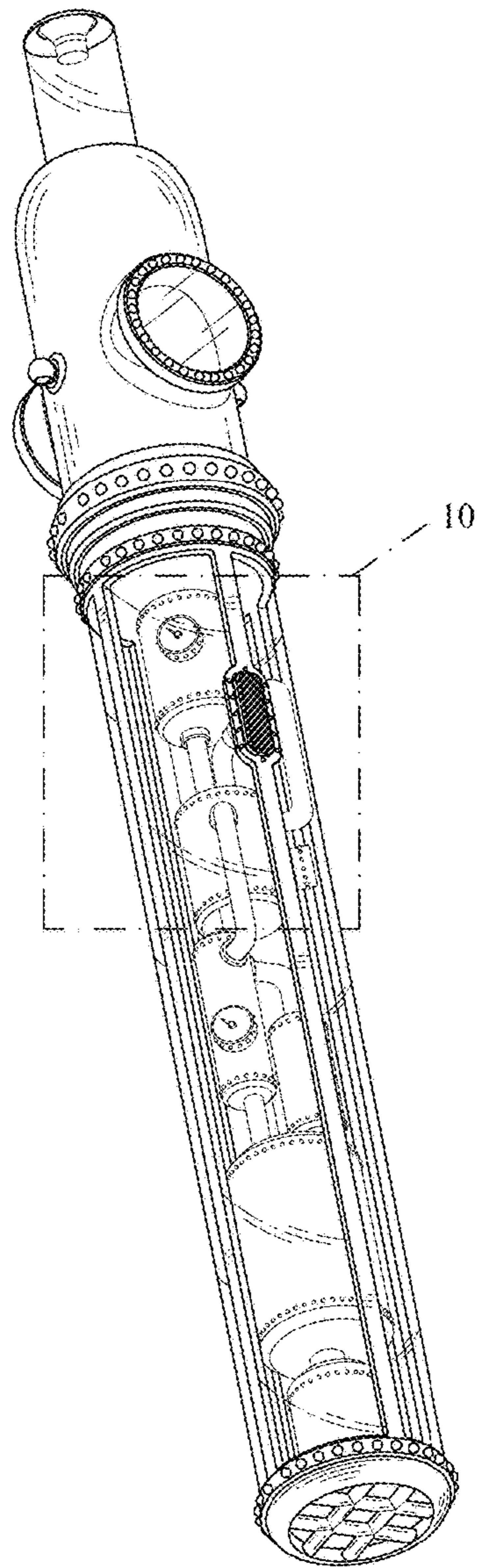


FIG.8

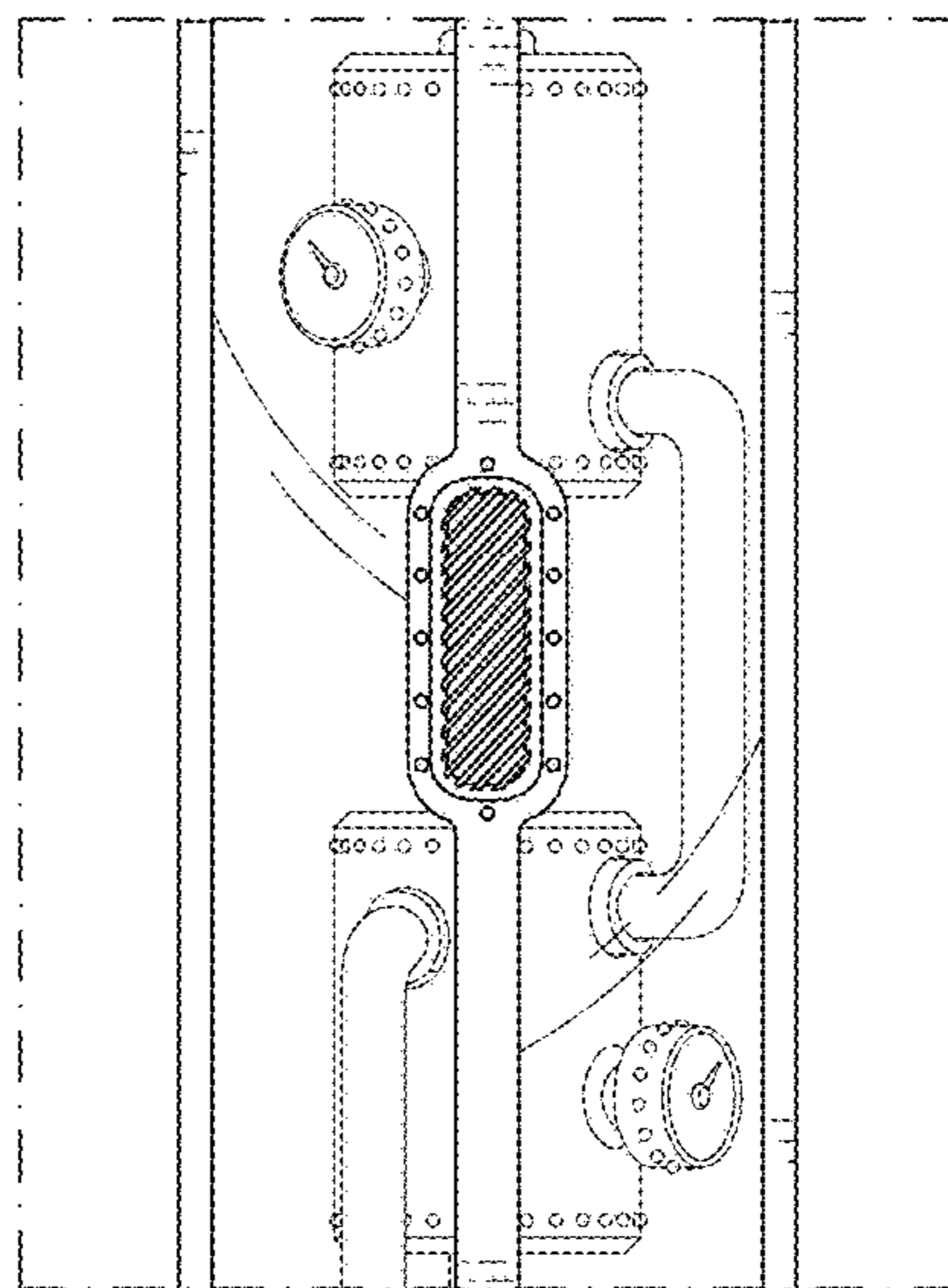


FIG. 9

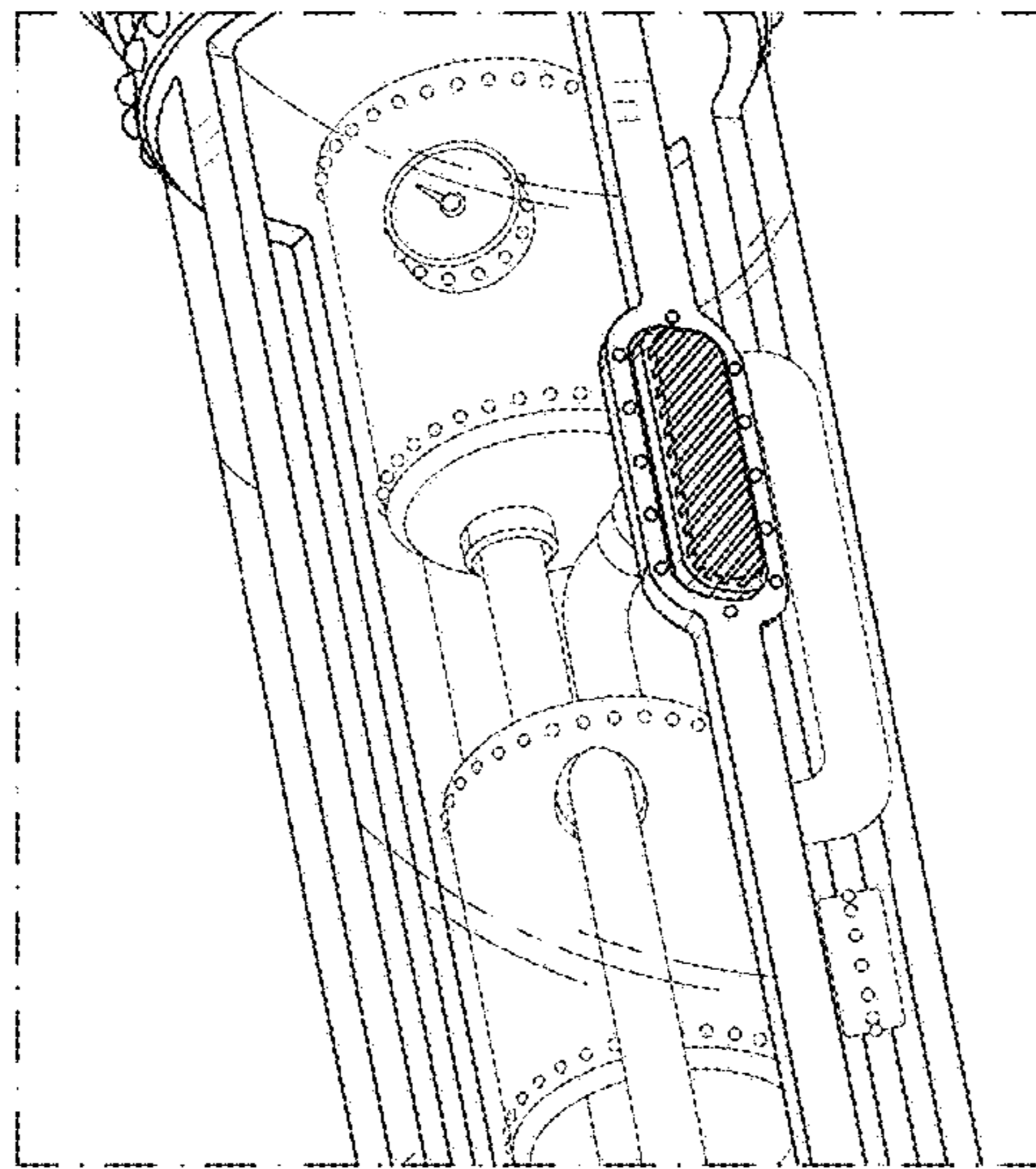


FIG.10