



US00D863662S

(12) **United States Design Patent**
Yong et al.

(10) **Patent No.:** **US D863,662 S**
(45) **Date of Patent:** **** Oct. 15, 2019**

- (54) **VEHICLE FOG LIGHT BEZEL**
- (71) Applicant: **GM GLOBAL TECHNOLOGY OPERATIONS LLC**, Detroit, MI (US)
- (72) Inventors: **Sungjin A. Yong**, Incheon (KR);
Dongkyu D. Kim, Incheon (KR);
Gyungwon Lee, Incheon (KR)
- (73) Assignee: **GM GLOBAL TECHNOLOGY OPERATIONS LLC**, Detroit, MI (US)
- (**) Term: **15 Years**
- (21) Appl. No.: **29/625,732**
- (22) Filed: **Nov. 13, 2017**
- (51) **LOC (12) Cl.** **26-99**
- (52) **U.S. Cl.**
USPC **D26/139**
- (58) **Field of Classification Search**
USPC D12/86, 90-92, 114, 163, 169, 171-173,
D12/181, 190, 196, 197, 199, 400;
D17/1, 222; D26/28-36, 139
CPC .. B62J 6/02; B62J 6/00; B60Q 3/0279; B60Q
3/104; B60Q 3/10408; B60Q 3/10466;
B60Q 3/12653; B60Q 3/128; F21S 48/00;
F21S 48/10; F21S 48/115; F21S 48/225;
F21S 48/1233; F21S 48/1266; F21S
48/1388; F21S 48/2268; F21V 21/04
See application file for complete search history.

(56) **References Cited**

U.S. PATENT DOCUMENTS

D570,742 S	6/2008	Takagi et al.	
D592,105 S	5/2009	Dean et al.	
D595,895 S *	7/2009	Lamm	D26/139
D597,447 S	8/2009	Folden	
D600,595 S	9/2009	Nakamura et al.	
D601,925 S	10/2009	O'Donnell	

D603,755 S	11/2009	Peters	
D604,203 S	11/2009	O'Donnell	
D604,893 S *	11/2009	Woolley	D26/139
D605,082 S	12/2009	Munson	
D605,083 S	12/2009	Manoogian, II et al.	
D605,977 S	12/2009	Zipfel et al.	
D605,978 S	12/2009	Wolff et al.	
D608,249 S	1/2010	Peters	
D608,497 S *	1/2010	Walter	D26/139
D608,690 S	1/2010	Folden et al.	
D608,691 S	1/2010	Zak, Jr. et al.	
D609,608 S	2/2010	Boniface et al.	
D611,387 S	3/2010	Thompson et al.	
D611,879 S	3/2010	Kim et al.	
D612,297 S	3/2010	Peters et al.	
D613,645 S	4/2010	Song et al.	
D615,458 S	5/2010	Thompson et al.	
D618,595 S	6/2010	Ware et al.	
D623,090 S	9/2010	Cox et al.	
D627,262 S	11/2010	Ikeda et al.	
D635,488 S	4/2011	Phipps	
D644,147 S	8/2011	Suh et al.	

(Continued)

Primary Examiner — Philip S Hyder
Assistant Examiner — Cary M Robinson

(57) **CLAIM**

The ornamental design for a vehicle fog light bezel, as shown and described.

DESCRIPTION

FIG. 1 is a perspective view of a vehicle fog light bezel that resides on a rightside of the vehicle (the leftside vehicle fog light bezel being a mirror image of this rightside vehicle fog light bezel);

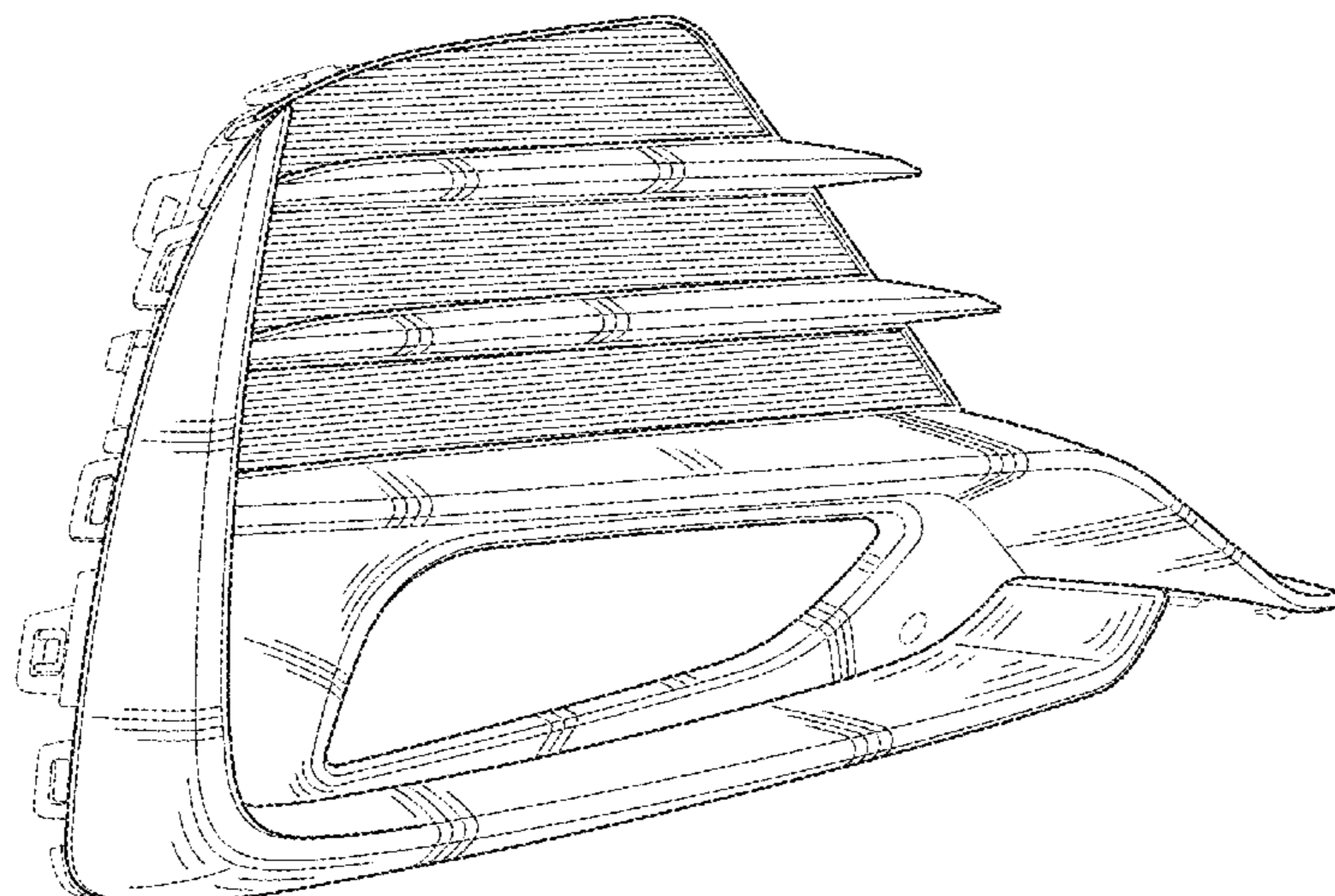
FIG. 2 is a front view thereof;

FIG. 3 is a rightside view thereof; and,

FIG. 4 is a top view thereof.

The broken lines in the drawings illustrate portions of the vehicle fog light bezel that form no part of the claimed design.

1 Claim, 2 Drawing Sheets



(56)

References Cited

U.S. PATENT DOCUMENTS

D644,567 S	9/2011	Kozub		D749,249 S	2/2016	Thole et al.	
D653,389 S *	1/2012	Xu	D26/139	D749,250 S	2/2016	Thole et al.	
D657,718 S	4/2012	Zipfel et al.		D749,985 S	2/2016	Kozub et al.	
D659,052 S	5/2012	Ware et al.		D749,997 S	2/2016	McMahan et al.	
D659,053 S	5/2012	Ware et al.		D750,001 S	2/2016	Thole et al.	
D668,182 S	10/2012	Barba Franco et al.		D753,032 S	4/2016	Smith et al.	
D668,183 S	10/2012	Smart		D753,033 S	4/2016	Thole et al.	
D678,820 S	3/2013	Son et al.		D753,034 S	4/2016	Thole et al.	
D678,821 S	3/2013	Ikeda et al.		D753,035 S	4/2016	Boniface et al.	
D680,909 S	4/2013	Munson et al.		D753,559 S	4/2016	McMahan et al.	
D680,910 S	4/2013	David		D753,560 S	4/2016	McMahan et al.	
D681,870 S *	5/2013	Behmer	D26/139	D753,567 S	4/2016	Boniface et al.	
D684,899 S	6/2013	Baker		D754,571 S	4/2016	Boniface et al.	
D686,536 S	7/2013	McCabe et al.		D754,572 S	4/2016	McMahan et al.	
D692,798 S	11/2013	Thurber		D755,088 S	5/2016	McMahan et al.	
D692,799 S	11/2013	Smith et al.		D756,869 S	5/2016	McMahan et al.	
D696,157 S	12/2013	Loeb		D758,271 S	6/2016	McMahan et al.	
D699,629 S	2/2014	Ikeda et al.		D759,295 S *	6/2016	Rupar	D26/139
D700,871 S	3/2014	O'Donnell et al.		D764,975 S	8/2016	Aengenheyster	
D703,103 S	4/2014	Lee		D764,976 S	8/2016	Aengenheyster	
D704,103 S	5/2014	Mack et al.		D767,449 S	9/2016	Pevovar et al.	
D705,132 S	5/2014	Ware et al.		D767,450 S	9/2016	Lee et al.	
D705,699 S	5/2014	Ware et al.		D767,451 S	9/2016	Kozub et al.	
D713,298 S	9/2014	Dyson		D767,454 S	9/2016	McMahan et al.	
D713,764 S	9/2014	Ferlazzo et al.		D767,458 S	9/2016	Kim	
D716,696 S	11/2014	Thole et al.		D767,459 S	9/2016	Kim	
D716,706 S	11/2014	Thole et al.		D767,460 S	9/2016	Kozub et al.	
D716,709 S	11/2014	Thole et al.		D767,461 S	9/2016	Kozub et al.	
D717,696 S	11/2014	Thole et al.		D771,528 S	11/2016	Smith et al.	
D718,189 S	11/2014	Krieg et al.		D771,529 S	11/2016	Thole et al.	
D718,683 S	12/2014	Thole et al.		D771,532 S	11/2016	Kapitonov	
D722,282 S	2/2015	Loeb		D771,533 S	11/2016	Kapitonov	
D722,533 S	2/2015	Thole et al.		D772,766 S	11/2016	Kozub et al.	
D722,534 S	2/2015	Munson et al.		D772,767 S	11/2016	Kim	
D724,510 S	3/2015	McMahan et al.		D773,084 S	11/2016	Kapitonov	
D725,001 S	3/2015	McMahan et al.		D773,086 S	11/2016	McCabe et al.	
D726,591 S	4/2015	Jacob		D774,226 S	12/2016	McCabe et al.	
D730,776 S	6/2015	Smart		D775,003 S	12/2016	Pevovar et al.	
D730,783 S	6/2015	Henriques et al.		D775,007 S	12/2016	Thole et al.	
D732,427 S	6/2015	Loeb		D775,010 S	12/2016	Kim et al.	
D732,429 S	6/2015	Loeb		D775,049 S	12/2016	Scheer et al.	
D732,430 S	6/2015	Loeb		D775,549 S	1/2017	Karras	
D732,431 S	6/2015	Loeb		D775,554 S	1/2017	Kapitonov	
D732,432 S	6/2015	Aengenheyster		D776,020 S	1/2017	Kapitonov	
D732,433 S	6/2015	Aengenheyster		D776,581 S	1/2017	Pevovar et al.	
D732,435 S	6/2015	Mackay		D776,583 S	1/2017	Scheer et al.	
D733,002 S	6/2015	Loeb		D776,841 S	1/2017	Kozub et al.	
D735,611 S	8/2015	Aengenheyster		D776,843 S	1/2017	McCabe et al.	
D735,627 S	8/2015	Smith		D776,846 S	1/2017	Willett et al.	
D736,451 S	8/2015	Smith		D776,865 S *	1/2017	Svensson	D26/139
D739,306 S	9/2015	McMahan et al.		D776,866 S *	1/2017	Svensson	D26/139
D739,317 S	9/2015	McMahan et al.		D777,359 S	1/2017	Kozub et al.	
D741,223 S	10/2015	Kim et al.		D777,360 S	1/2017	Kozub et al.	
D743,309 S	11/2015	Thole et al.		D777,361 S	1/2017	Kozub et al.	
D743,313 S	11/2015	Smith et al.		D777,604 S	1/2017	McNerney	
D743,314 S	11/2015	Thole et al.		D777,605 S	1/2017	Ferlazzo et al.	
D743,857 S	11/2015	McMahan et al.		D777,620 S	1/2017	Pevovar et al.	
D744,158 S	11/2015	Willett et al.		D777,621 S	1/2017	Kim	
D745,086 S	12/2015	Finos et al.		D777,622 S	1/2017	Kozub et al.	
D745,719 S	12/2015	Boniface et al.		D777,628 S	1/2017	Kozub et al.	
D745,725 S	12/2015	McMahan et al.		D777,955 S	1/2017	Willett et al.	
D745,726 S	12/2015	McMahan et al.		D778,212 S	2/2017	Kozub et al.	
D745,837 S	12/2015	Smith et al.		D778,215 S	2/2017	Kozub et al.	
D746,726 S	1/2016	Smith et al.		D780,064 S	2/2017	Smith et al.	
D746,727 S	1/2016	Smith et al.		D780,067 S	2/2017	Zipfel et al.	
D746,728 S	1/2016	Smith et al.		D780,068 S	2/2017	Whitla et al.	
D746,729 S	1/2016	Boniface et al.		D780,077 S	2/2017	Kim et al.	
D746,730 S	1/2016	Kim et al.		D780,081 S	2/2017	Lee	
D747,514 S	1/2016	McMahan et al.		D780,084 S	2/2017	Scheer et al.	
D747,515 S	1/2016	McMahan et al.		D780,631 S	3/2017	Kozub et al.	
D747,819 S	1/2016	Thole et al.		D780,644 S	3/2017	Kim et al.	
D749,021 S	2/2016	Boniface et al.		D781,184 S	3/2017	Thole et al.	
D749,026 S	2/2016	Smith et al.		D781,192 S	3/2017	Kozub et al.	
D749,027 S	2/2016	McMahan et al.		D782,379 S	3/2017	Wassell	
D749,246 S	2/2016	Thole et al.		D783,482 S	4/2017	Smith et al.	
				D784,213 S	4/2017	Karras	
				D784,223 S	4/2017	Lee	
				D784,226 S	4/2017	Cheng	
				D784,579 S	4/2017	Cheng et al.	

(56)

References Cited

U.S. PATENT DOCUMENTS

D784,877 S	4/2017	Lee	D793,300 S	8/2017	Kreig et al.
D784,886 S	4/2017	Smith et al.	D793,301 S	8/2017	Kozub
D785,521 S	5/2017	Smith et al.	D793,302 S	8/2017	Kozub
D785,855 S *	5/2017	Svensson D26/139	D793,311 S	8/2017	Whitla et al.
D786,149 S	5/2017	Pevovar et al.	D793,590 S	8/2017	Kozub et al.
D786,743 S	5/2017	Smith et al.	D793,591 S	8/2017	Kozub et al.
D786,750 S	5/2017	Lee	D793,917 S	8/2017	Kozub
D787,446 S	5/2017	Cockerill	D793,918 S	8/2017	Kozub
D787,984 S	5/2017	Fang	D794,229 S	8/2017	Barry
D787,988 S	5/2017	Lee	D794,230 S	8/2017	Kozub
D787,989 S	5/2017	Kozub et al.	D795,747 S	8/2017	Bailie
D787,990 S	5/2017	Kozub et al.	D795,757 S	8/2017	Pevovar et al.
D787,992 S	5/2017	Lee	D795,758 S	8/2017	Karras
D787,993 S	5/2017	McCabe et al.	D795,759 S	8/2017	Kozub et al.
D788,001 S	5/2017	Lee	D795,760 S	8/2017	Kozub et al.
D788,641 S	6/2017	Arnold	D795,762 S	8/2017	Lee
D788,644 S	6/2017	Mueller	D795,763 S	8/2017	Kozub
D788,645 S	6/2017	Mueller	D796,088 S	8/2017	McCabe et al.
D789,250 S	6/2017	Arnold	D796,093 S	8/2017	Mainville
D789,260 S	6/2017	Smith	D796,390 S	9/2017	Pevovar et al.
D789,575 S	6/2017	Willett	D797,537 S	9/2017	Cooper et al.
D789,841 S	6/2017	Lee	D797,603 S	9/2017	Noone et al.
D789,849 S	6/2017	Lee	D797,614 S	9/2017	Lee
D791,018 S	7/2017	Mylenek	D797,616 S	9/2017	Lee
D791,644 S	7/2017	Fang	D797,624 S	9/2017	Nakamura
D792,290 S	7/2017	Smith et al.	D797,625 S	9/2017	Perkins
D792,293 S	7/2017	McCabe et al.	D797,631 S	9/2017	Pevovar et al.
D792,294 S	7/2017	McCabe et al.	D797,632 S	9/2017	Zipfel et al.
D792,295 S	7/2017	McCabe et al.	D797,967 S	9/2017	Barry
D792,815 S	7/2017	Kozub	D797,970 S	9/2017	Mainville
D792,816 S	7/2017	Kozub	D797,971 S	9/2017	Mainville
D793,290 S	8/2017	Kozub	D797,972 S	9/2017	Whitla et al.
D793,292 S	8/2017	Lee	D798,204 S	9/2017	Mainville
D793,293 S	8/2017	Lee et al.	D799,384 S	10/2017	Kozub et al.
D793,294 S	8/2017	Lee	D799,385 S	10/2017	Kozub et al.
D793,295 S	8/2017	McCabe et al.	D799,386 S	10/2017	Kozub et al.
D793,296 S	8/2017	Smith et al.	D799,728 S	10/2017	Whitla et al.
D793,297 S	8/2017	Smith et al.	D801,236 S	10/2017	Kozub et al.
D793,299 S	8/2017	Kreig et al.	D801,577 S	10/2017	Ruiz
			D801,882 S	11/2017	Kozub et al.
			D802,205 S	11/2017	Ruiz

* cited by examiner

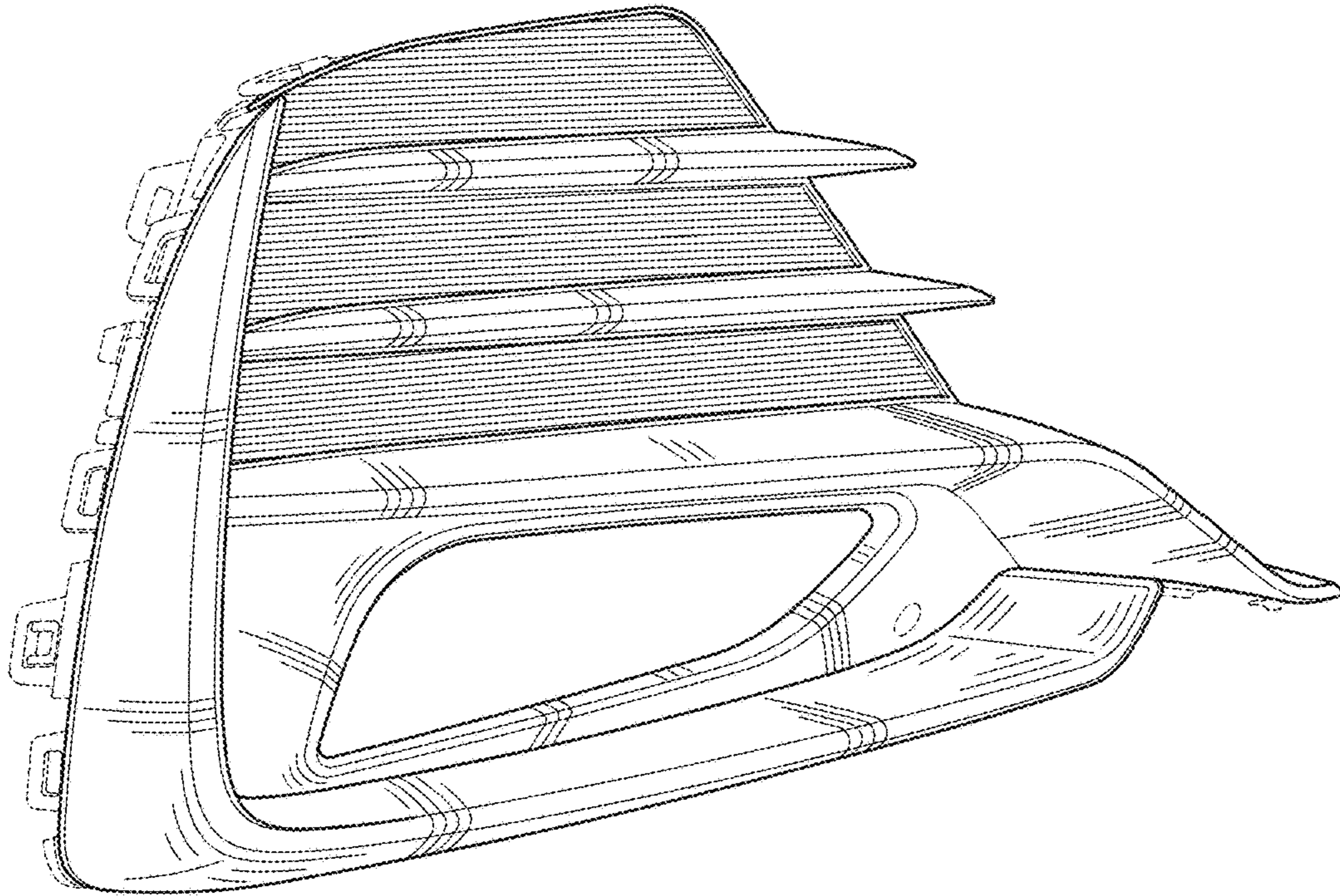


FIG. 1

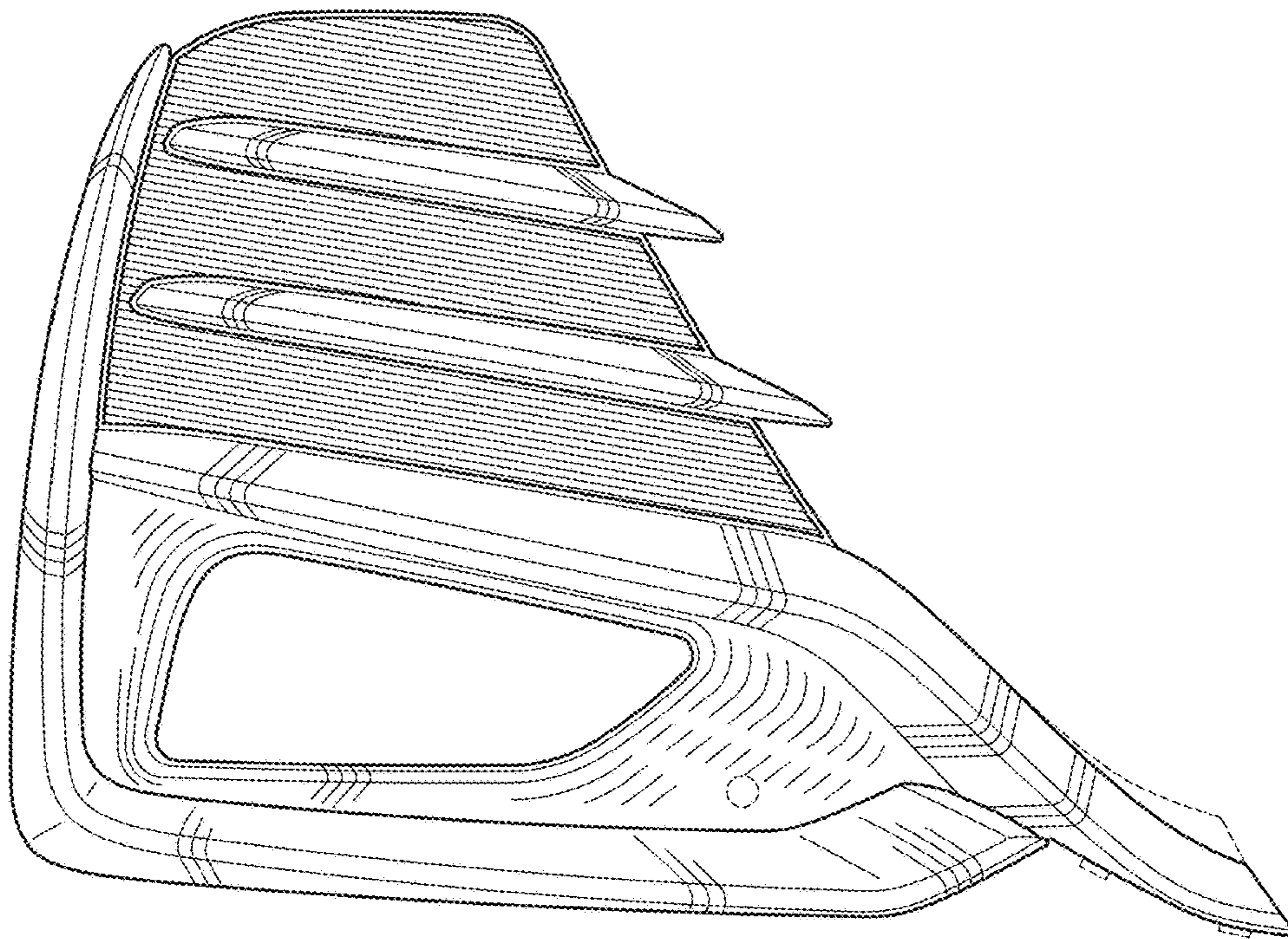


FIG. 2

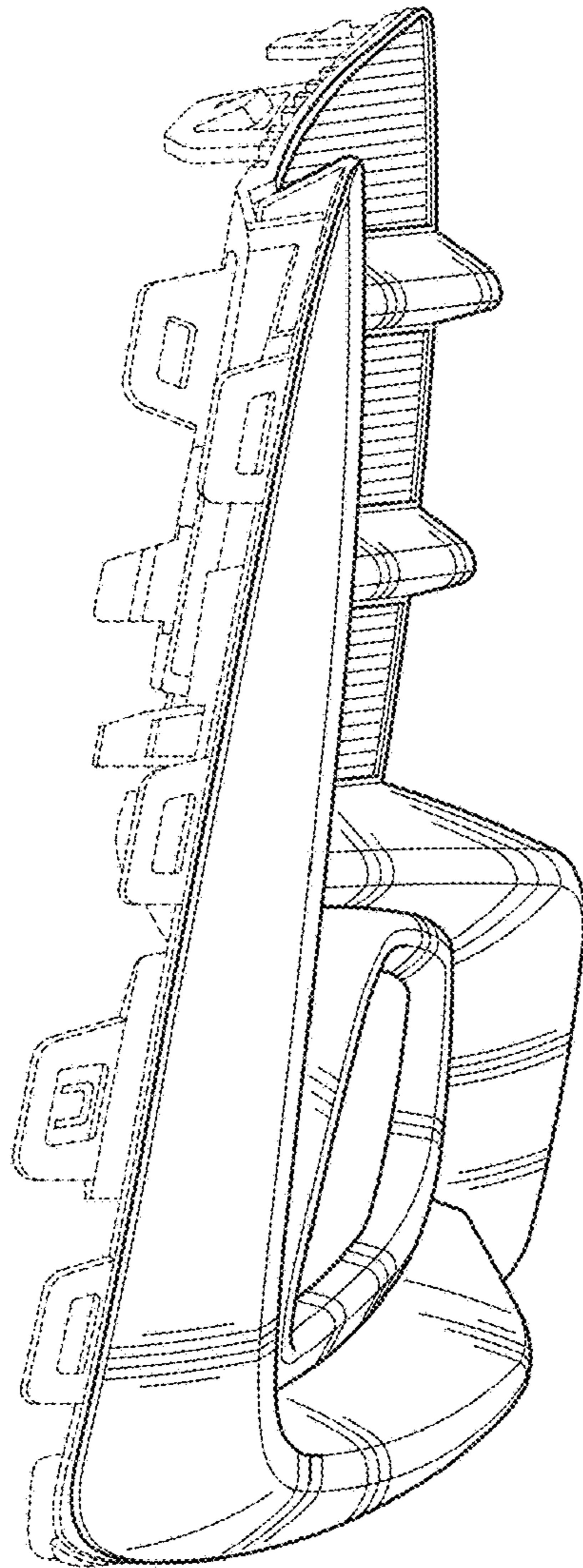


FIG. 3

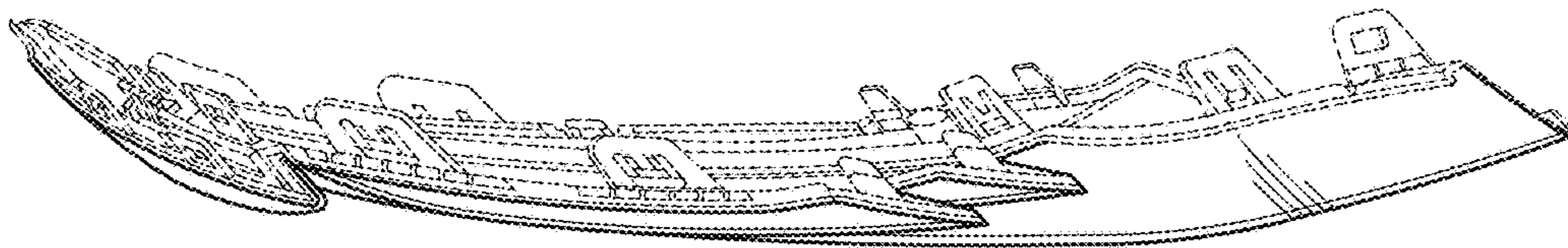


FIG. 4