



US00D863660S

(12) **United States Design Patent**
Stanley

(10) **Patent No.:** **US D863,660 S**
(45) **Date of Patent:** **** Oct. 15, 2019**

- (54) **HORTICULTURE GROW LIGHT**
- (71) Applicant: **HGCI, Inc.**, Las Vegas, NV (US)
- (72) Inventor: **John Stanley**, Vancouver, WA (US)
- (73) Assignee: **HGCI, Inc.**, Las Vegas, NV (US)
- (**) Term: **15 Years**
- (21) Appl. No.: **29/590,390**
- (22) Filed: **Jan. 10, 2017**

2,339,100 A 1/1944 Netting
 D143,061 S 12/1945 Creed
 D156,014 S 11/1949 Lazerson
 (Continued)

FOREIGN PATENT DOCUMENTS

CN ZL 201430166983.7 4/2015
 CN ZL 201530131007.2 7/2015

OTHER PUBLICATIONS

Horticultural Lights, image post date Jul. 7, 2014, site visited Sep. 30, 2015 (online), <<http://web.archive.org/web/20140707223459/http://www.kindgreenbuds.com/cannabis-grow-bible/best-lighting-systems/>>.

(Continued)

Primary Examiner — Natasha Vujcic
 (74) *Attorney, Agent, or Firm* — Ulmer & Berne LLP

Related U.S. Application Data

- (63) Continuation of application No. 29/492,971, filed on Jun. 4, 2014, now Pat. No. Des. 779,703.
- (51) **LOC (12) Cl.** **26-05**
- (52) **U.S. Cl.**
USPC **D26/138**
- (58) **Field of Classification Search**
USPC D26/72, 74, 76, 78–83, 85, 86, 88, 90, D26/93, 111, 113, 118, 119, 120, 121, D26/122, 138, 139, 140, 141, 142, 152
CPC F21S 2/00; F21S 4/00; F21S 4/003; F21S 4/005; F21S 4/006; F21S 4/007; F21S 4/008; F21S 6/00; F21S 8/00; F21S 8/024; F21S 8/026; F21S 8/031; F21S 8/033; F21S 8/035–037; F21S 8/04; F21S 8/043; F21S 8/063
See application file for complete search history.

(57) **CLAIM**

The ornamental design for a horticulture grow light, as shown and described.

DESCRIPTION

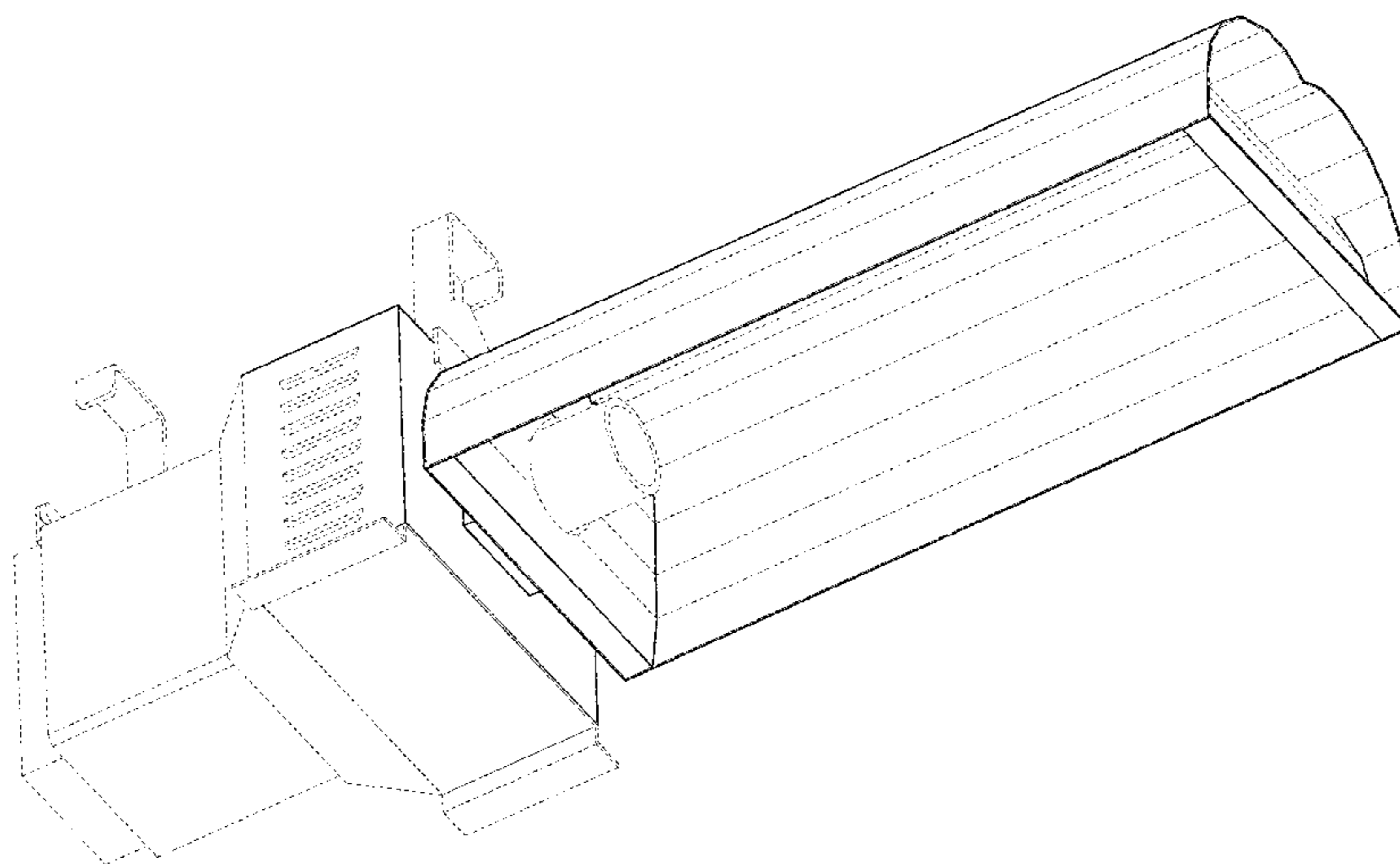
FIG. 1 is a perspective view of a horticulture grow light, as viewed from below, showing my new design;
 FIG. 2 is a perspective view of the grow light shown in FIG. 1, as viewed from above;
 FIG. 3 is a left side view of the light shown in FIG. 1;
 FIG. 4 is a right side view of the light shown in FIG. 1;
 FIG. 5 is a front elevation view of the light shown in FIG. 1;
 FIG. 6 is a rear elevation view of the light shown in FIG. 1;
 FIG. 7 is a top plan view of the light shown in FIG. 1; and
 FIG. 8 is a bottom plan view of the light shown in FIG. 1.
 The broken-line disclosure shown in the views is understood to represent portions of the article in which the claimed design is embodied, but which form no part of the claimed design.

(56) **References Cited**

U.S. PATENT DOCUMENTS

D106,614 S 10/1937 Waterbury
 D123,768 S 12/1940 Scribner
 D132,786 S 6/1942 Netting
 D133,216 S 7/1942 Parlato
 D135,375 S 3/1943 Biller

1 Claim, 7 Drawing Sheets



(56)

References Cited

U.S. PATENT DOCUMENTS

2,740,883	A	4/1956	Michael	8,998,473	B1	4/2015	Anderson
2,740,885	A	4/1956	Kruger	9,010,970	B2	4/2015	Guercio
3,272,978	A	9/1966	Jackson	9,016,907	B2	4/2015	Stanley
D237,236	S	10/1975	Green	D731,701	S	6/2015	Hargreaves
4,363,371	A	12/1982	Hutchinson	D732,233	S	6/2015	Reynolds
D268,287	S	3/1983	Boschetti	D732,235	S	6/2015	Reynolds
4,779,178	A	10/1988	Spitz	D736,450	S	8/2015	Reynolds
4,814,954	A	3/1989	Spitz	D737,134	S	8/2015	Thompson
4,933,821	A	6/1990	Anderson	D737,498	S	8/2015	Stanley
D311,597	S	10/1990	Poot	9,100,209	B2	8/2015	Blessitt
5,253,152	A	10/1993	Yang	D739,595	S	9/2015	Reynolds
D352,126	S	11/1994	Ruud	D740,486	S	10/2015	Stanley
5,453,180	A	9/1995	Henriksson	D747,029	S	1/2016	Reynolds
D377,234	S	1/1997	Roberts	D748,849	S	2/2016	Stanley
D413,176	S	8/1999	Mier-Langer	D748,850	S	* 2/2016	Johnson D26/118
6,053,624	A	4/2000	Cronk	D750,312	S	2/2016	Reynolds
D428,516	S	7/2000	Reo	D750,316	S	2/2016	Reynolds
D447,272	S	8/2001	Smith	D751,244	S	3/2016	Reynolds
D456,938	S	5/2002	Wardenburg	D751,247	S	3/2016	Reynolds
D459,825	S	7/2002	Field	9,279,550	B2	3/2016	Torabifard
D465,049	S	10/2002	Ludwig	D757,323	S	5/2016	Reynolds
D469,564	S	1/2003	Brok	D762,320	S	7/2016	Reynolds
6,527,422	B1	3/2003	Hutchinson	D765,306	S	8/2016	Wardenburg
6,595,662	B2	7/2003	Wardenburg	D767,193	S	9/2016	Jung
6,988,816	B2	1/2006	Witkowski	9,453,639	B2	9/2016	Mandy
D542,460	S	5/2007	Hargreaves	D769,514	S	10/2016	Reynolds
D543,652	S	5/2007	Hargreaves	D770,670	S	11/2016	Reynolds
D543,654	S	5/2007	Hargreaves	D770,671	S	11/2016	Reynolds
D544,131	S	6/2007	Blackman	D775,405	S	12/2016	Stanley
D544,139	S	6/2007	Hargreaves	D779,703	S	* 2/2017	Stanley D26/78
D544,626	S	6/2007	Hargreaves	D780,985	S	* 3/2017	Stanley D26/118
D544,983	S	6/2007	Hargreaves	D783,888	S	* 4/2017	Reynolds D26/118
D544,984	S	6/2007	Hargreaves	D797,351	S	* 9/2017	Stanley D26/118
D544,985	S	6/2007	Hargreaves	D797,352	S	9/2017	Stanley
D544,987	S	6/2007	Hargreaves	D797,353	S	* 9/2017	Stanley D26/118
D544,995	S	6/2007	Hargreaves	D804,710	S	* 12/2017	Stanley D26/118
D545,484	S	6/2007	Hargreaves	D811,647	S	* 2/2018	Stanley D26/118
D545,485	S	6/2007	Hargreaves	D812,282	S	* 3/2018	Reynolds D26/72
D586,030	S	2/2009	Genova	D814,687	S	* 4/2018	Stanley D26/118
7,524,090	B2	4/2009	Hargreaves	D825,096	S	* 8/2018	Reynolds D26/118
7,534,011	B2	5/2009	Townsley	D825,826	S	* 8/2018	Stanley D26/118
D613,900	S	4/2010	Hargreaves	D825,827	S	* 8/2018	Stanley D26/118
D614,801	S	4/2010	Collins	D831,265	S	* 10/2018	Stanley D26/118
7,722,208	B1	5/2010	Dupre	D837,442	S	* 1/2019	Reynolds D26/118
7,722,228	B2	5/2010	Broer	D838,033	S	* 1/2019	Xiong D26/118
D633,640	S	3/2011	Wauters	D839,471	S	* 1/2019	Reynolds D26/118
D634,060	S	3/2011	Wardenburg	2001/0023173	A1	9/2001	Schiedegger
D634,468	S	3/2011	Hargreaves	2002/0141195	A1	10/2002	Wardenburg
D634,469	S	3/2011	Hargreaves	2008/0205030	A1	8/2008	Hargreaves
D637,162	S	5/2011	Bridgman	2008/0205071	A1	8/2008	Townsley
D637,752	S	5/2011	Mehktarian	2008/0219008	A1	9/2008	Schaefer
7,959,331	B2	6/2011	Ho	2008/0278950	A1	11/2008	Pickard
7,972,044	B2	7/2011	Burkhauser	2009/0262540	A1	10/2009	Hargreaves
D661,833	S	6/2012	Imajo	2009/0262543	A1	10/2009	Ho
8,209,912	B2	7/2012	Hargreaves	2009/0310373	A1	12/2009	Burkhauser
D669,204	S	10/2012	Snell	2009/0323335	A1	12/2009	Yang
D670,850	S	11/2012	Helenowski	2012/0051041	A1	3/2012	Edmond
D672,911	S	12/2012	Mayfield	2013/0083539	A1	4/2013	Dimitriadis
D675,369	S	1/2013	Michaud	2015/0082692	A1	3/2015	Wardenburg
8,348,481	B2	1/2013	Chang	2015/0252993	A1	9/2015	Stanley
D676,185	S	2/2013	Piegras	OTHER PUBLICATIONS			
D678,599	S	3/2013	Boyer	Horticultural Lighting, image post date Sep. 2008, site visted Sep. 30, 2015, (online), < http://www.dendroboard.com/forum/sponsor-classifieds/104681-grow-your-own-plants-horticulture-neherp.html >.			
D683,064	S	5/2013	Tuck	Steel S Section, image post date Aug. 30, 2000, site visted Sep. 30, 2015 (online), < http://web.archive.org/web/20000830093120/http://www.efunda.com/math/areas/RolledSteelBeamsS.cfm >.			
D693,959	S	11/2013	Boyer				
D698,986	S	2/2014	Reynolds				
D698,987	S	2/2014	Stanley				
8,905,575	B2	12/2014	Durkee				
D725,819	S	3/2015	Reynolds				

* cited by examiner

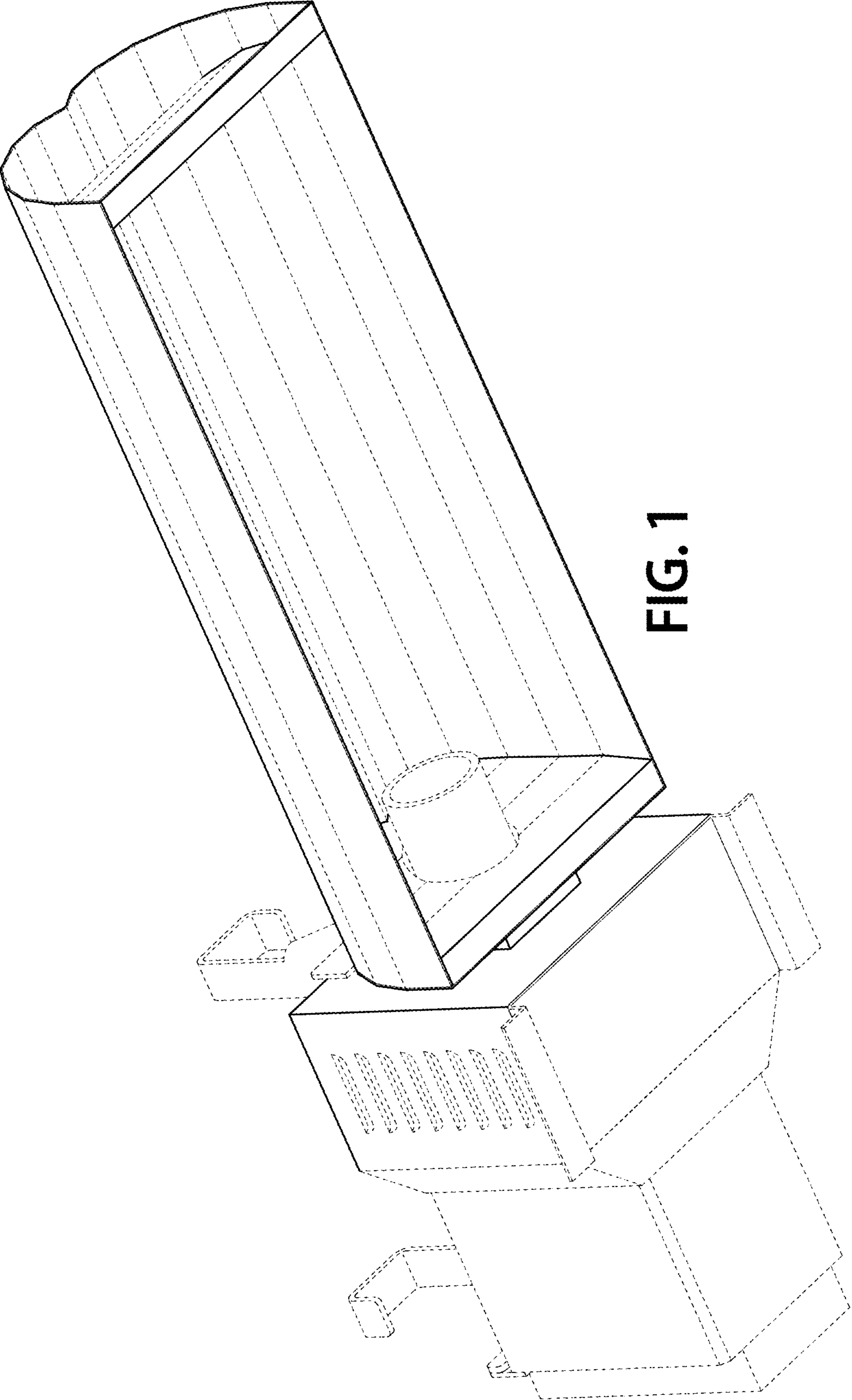


FIG. 1

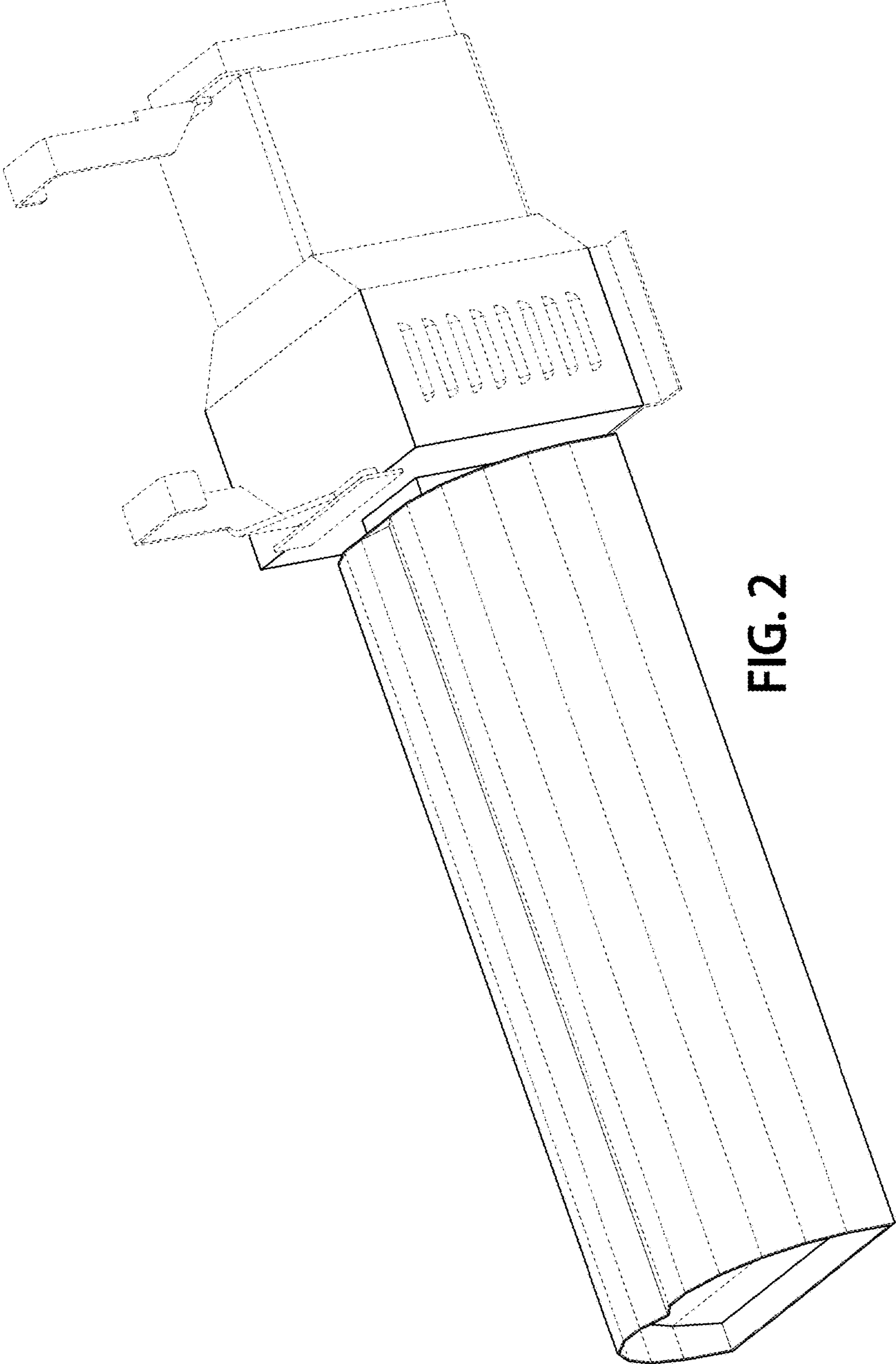


FIG. 2

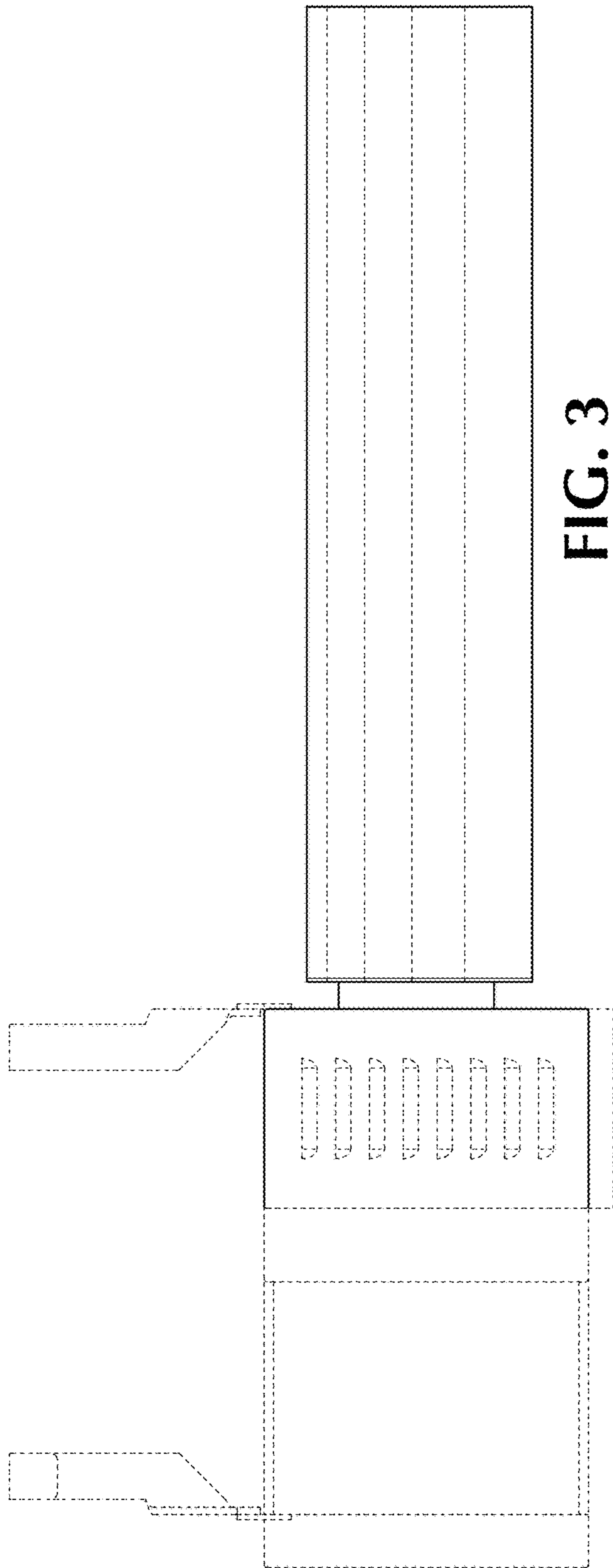


FIG. 3

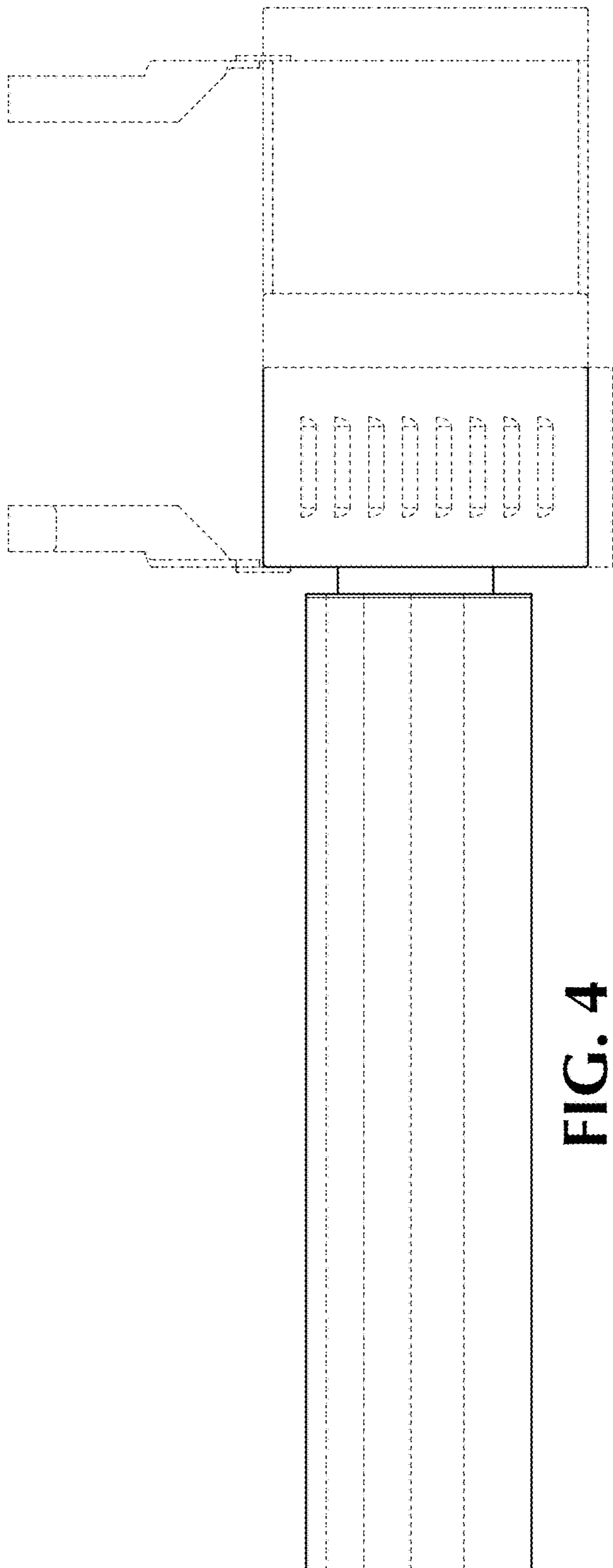


FIG. 4

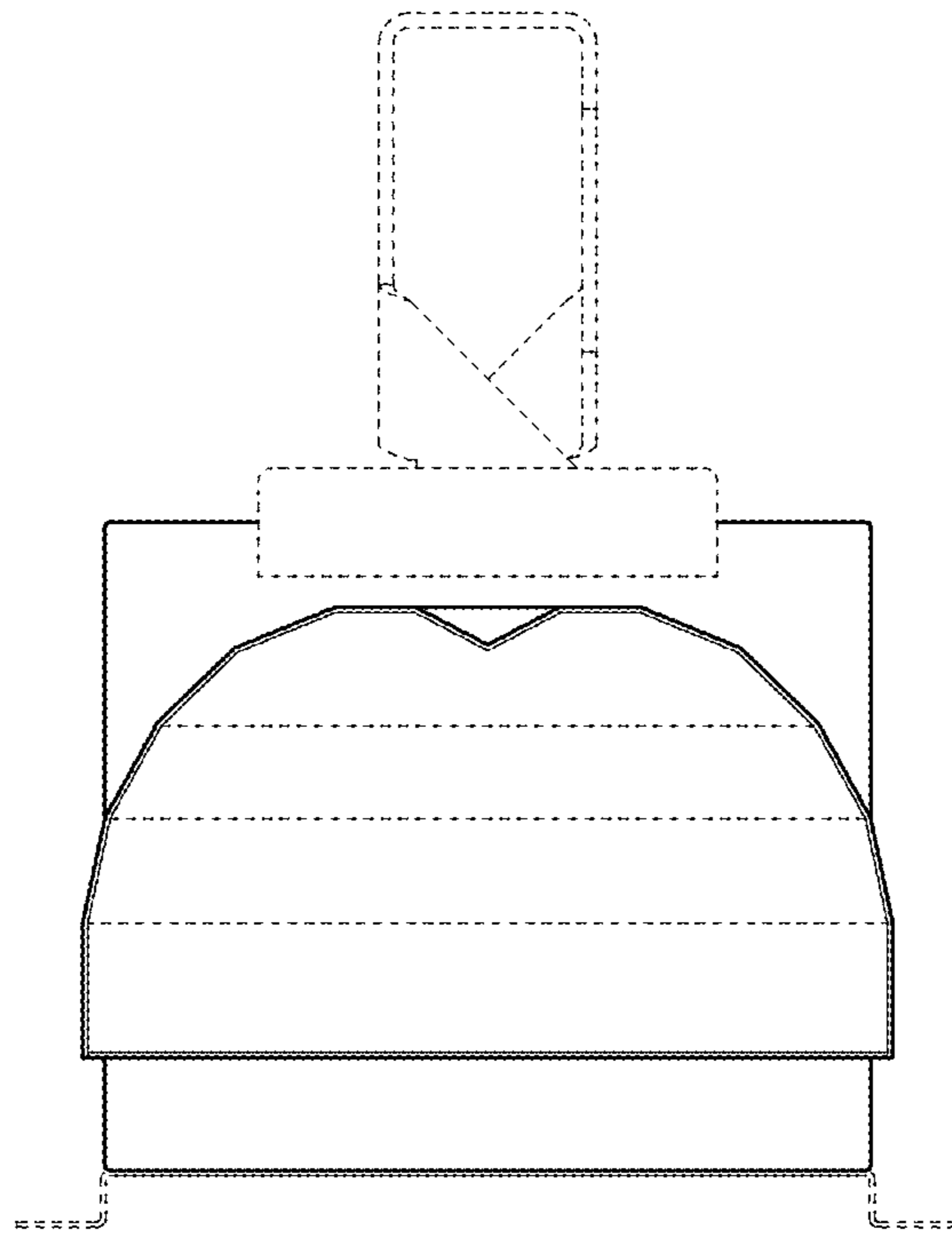


FIG. 5

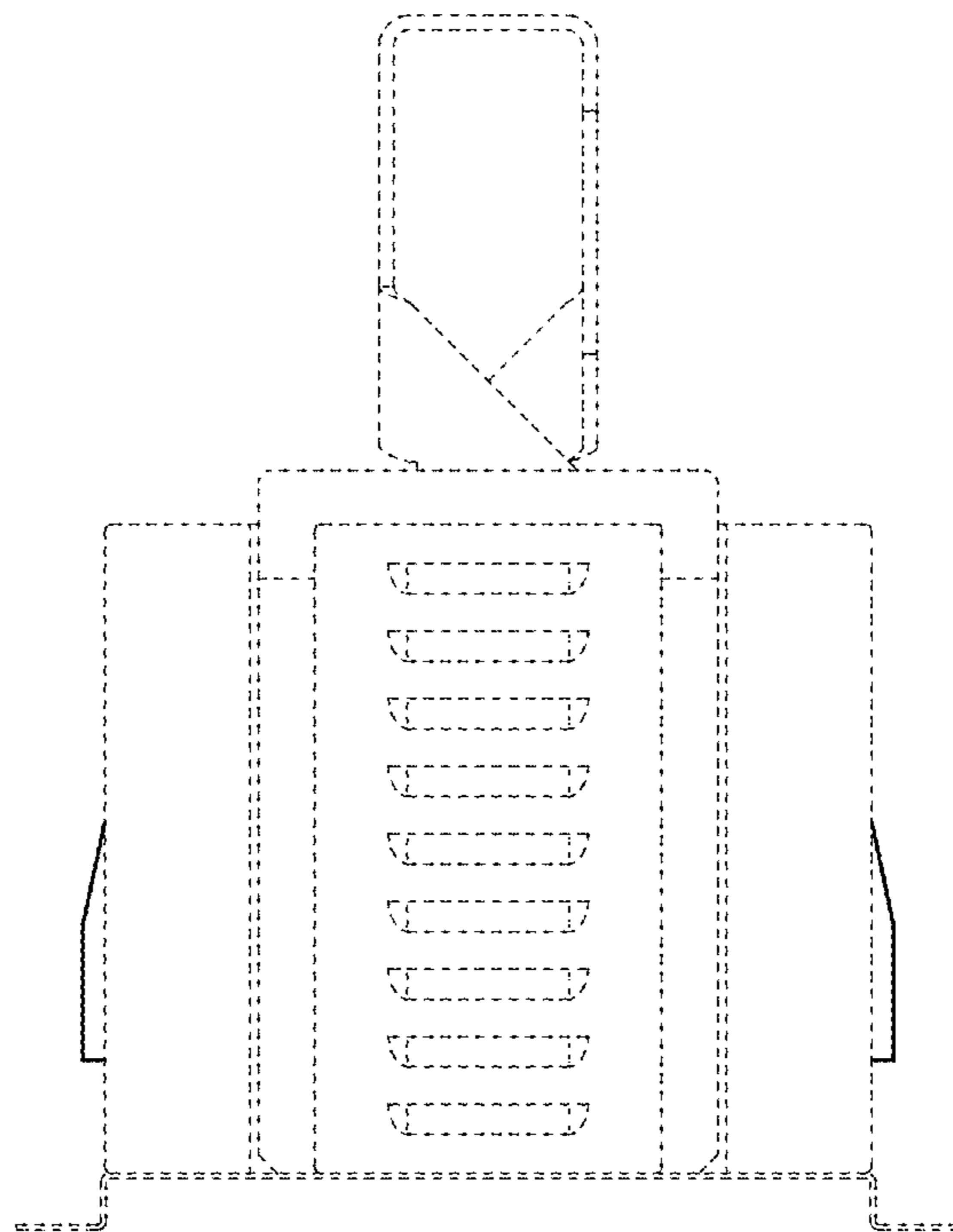


FIG. 6

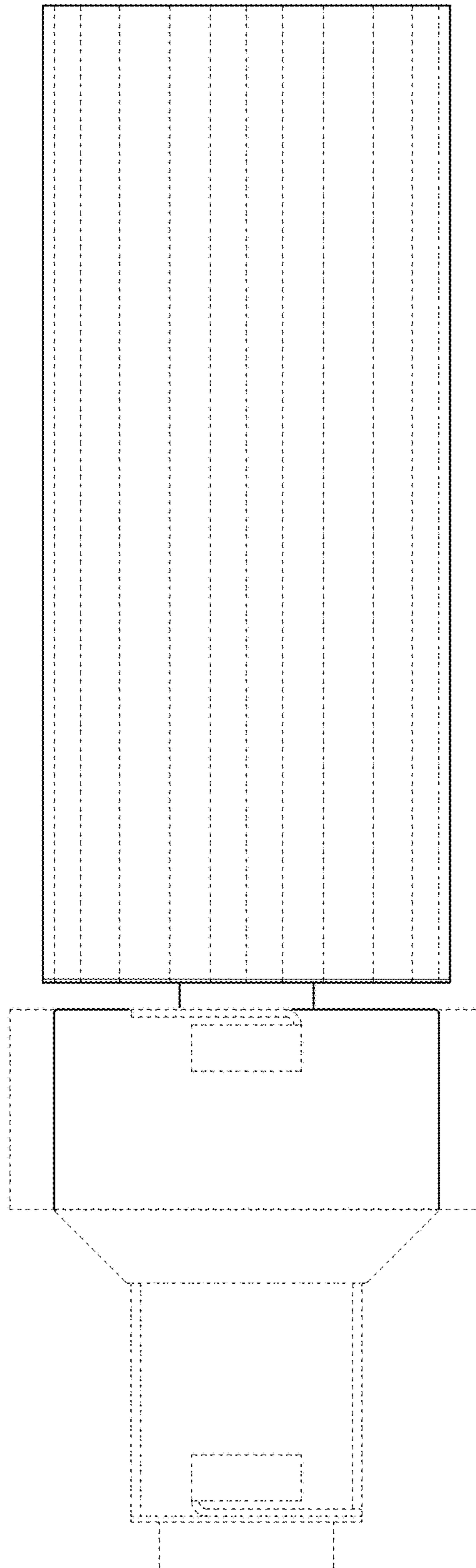


FIG. 7

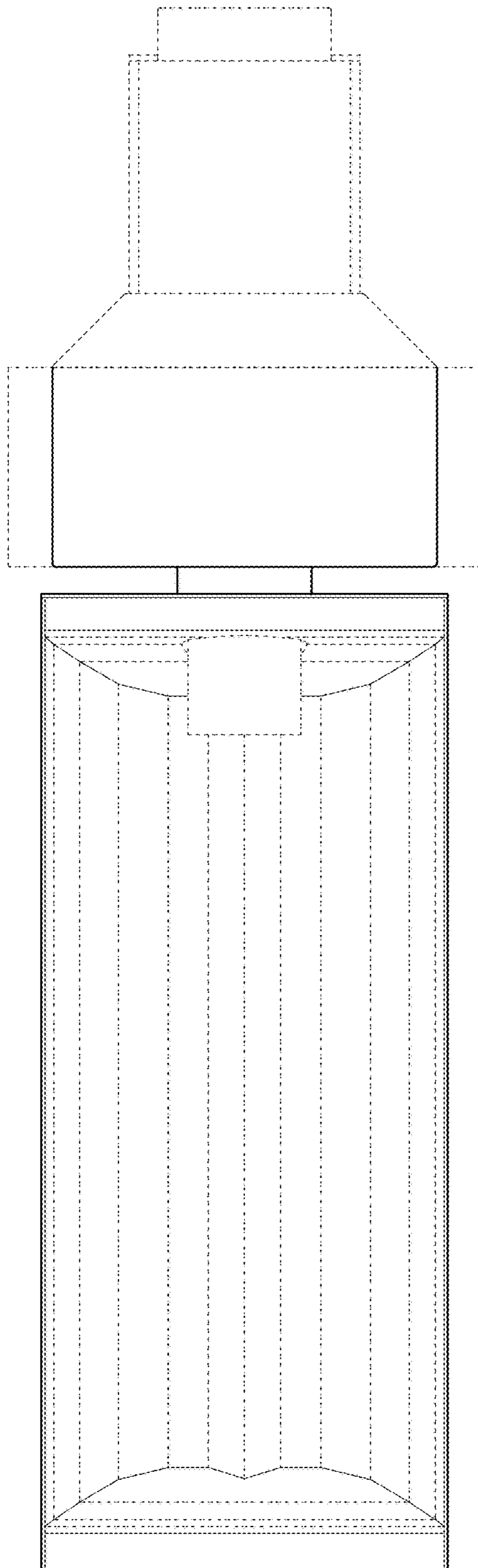


FIG. 8