



US00D863658S

(12) **United States Design Patent** (10) **Patent No.:** **US D863,658 S**
Altamura et al. (45) **Date of Patent:** **** Oct. 15, 2019**

(54) LIGHT PROJECTOR HOUSING	5,280,417 A * 1/1994 Hall F21S 8/081 362/153
(71) Applicant: Seasonal Specialties, LLC , Eden Prairie, MN (US)	5,649,760 A * 7/1997 Beadle F21V 17/02 362/267
(72) Inventors: Steven Altamura , Scarsdale, NY (US); Weng Yunbing , Taizhou (CN); Chen YongTai , WenLin (CN)	6,902,292 B2 * 6/2005 Lai F21S 8/081 362/153
(73) Assignee: Seasonal Specialties, LLC , Eden Prairie, MN (US)	D615,229 S * 5/2010 van Klinken D26/63
(**) Term: 15 Years	D632,414 S 2/2011 Croce
(21) Appl. No.: 29/663,118	D652,975 S 1/2012 Harshaw
(22) Filed: Sep. 12, 2018	D672,484 S 12/2012 Chen
	D698,478 S 1/2014 Randolph
	D773,094 S * 11/2016 Dworschak D26/63
	D777,963 S * 1/2017 Helms D26/63
	D797,974 S * 9/2017 Liang D26/63
	D814,680 S * 4/2018 Altamura D26/63
	D824,561 S * 7/2018 Waldmann D26/63
	D828,948 S * 9/2018 Altamura D26/113
	D832,492 S * 10/2018 Murphy D26/118
	D837,429 S * 1/2019 Yu D26/63
	D838,890 S * 1/2019 Xiong D26/63

(Continued)

Related U.S. Application Data

- (62) Division of application No. 29/591,327, filed on Jan. 19, 2017, now Pat. No. Des. 828,948.
- (51) **LOC (12) Cl.** **26-99**
- (52) **U.S. Cl.**
USPC **D26/118**
- (58) **Field of Classification Search**
USPC D26/1, 24, 61, 63, 65, 67, 85, 92, 113,
D26/118, 138, 142, 145, 155; D21/718,
D21/840
CPC F21V 21/14; F21V 15/01; F21V 14/02;
F21V 21/30; F21V 21/00; F21V 14/00;
F21V 17/02; F21V 21/12; F21V 21/08;
F21S 8/00; F21S 8/003; F21S 8/043;
F21S 8/081; F21Y 2105/001
See application file for complete search history.

(56) **References Cited**

U.S. PATENT DOCUMENTS

3,104,064 A * 9/1963 Bellek F21S 8/081 362/267
D333,529 S * 2/1993 Denison D26/63

Primary Examiner — Brian N. Vinson
 (74) *Attorney, Agent, or Firm* — Hamre, Schumann,
 Mueller & Larson, P.C.

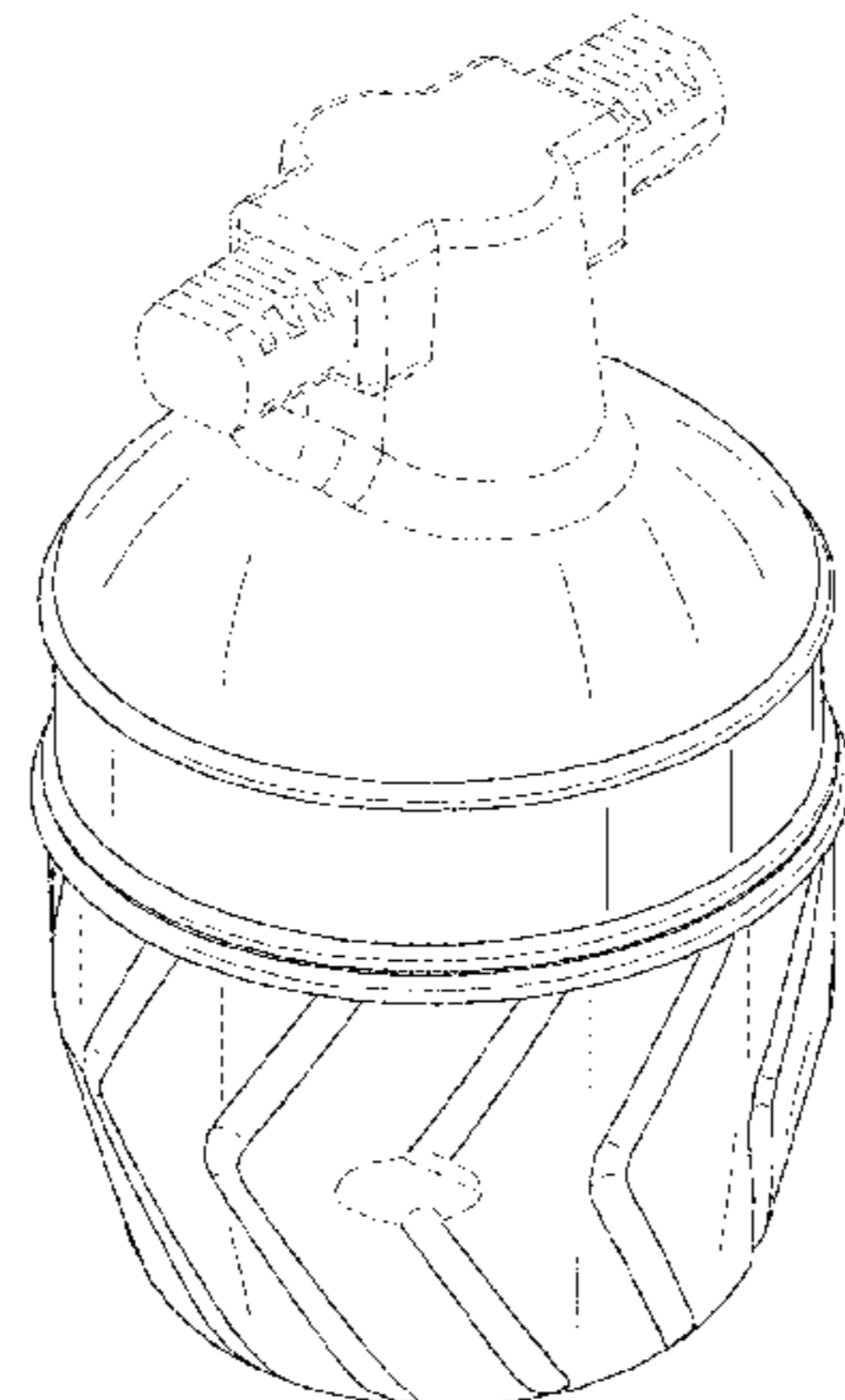
(57) **CLAIM**

The ornamental design for a light projector housing, as shown and described.

DESCRIPTION

FIG. 1 is a perspective view of a light projector housing showing our new design.
 FIG. 2 is a left side planar view of FIG. 1 thereof.
 FIG. 3 is a right side planar view of FIG. 1 thereof.
 FIG. 4 is a front planar view of FIG. 1 thereof.
 FIG. 5 is a back planar view of FIG. 1 thereof.
 FIG. 6 is a top planar view of FIG. 1 thereof; and,
 FIG. 7 is a bottom planar view of FIG. 1 thereof.
 The broken line disclosure represents portions of the housing which form no part of the claimed design.

1 Claim, 4 Drawing Sheets



(56)

References Cited

U.S. PATENT DOCUMENTS

D840,574 S * 2/2019 Brynjolfsson D26/63
2016/0025309 A1* 1/2016 Zhang F21V 21/08
362/382

* cited by examiner

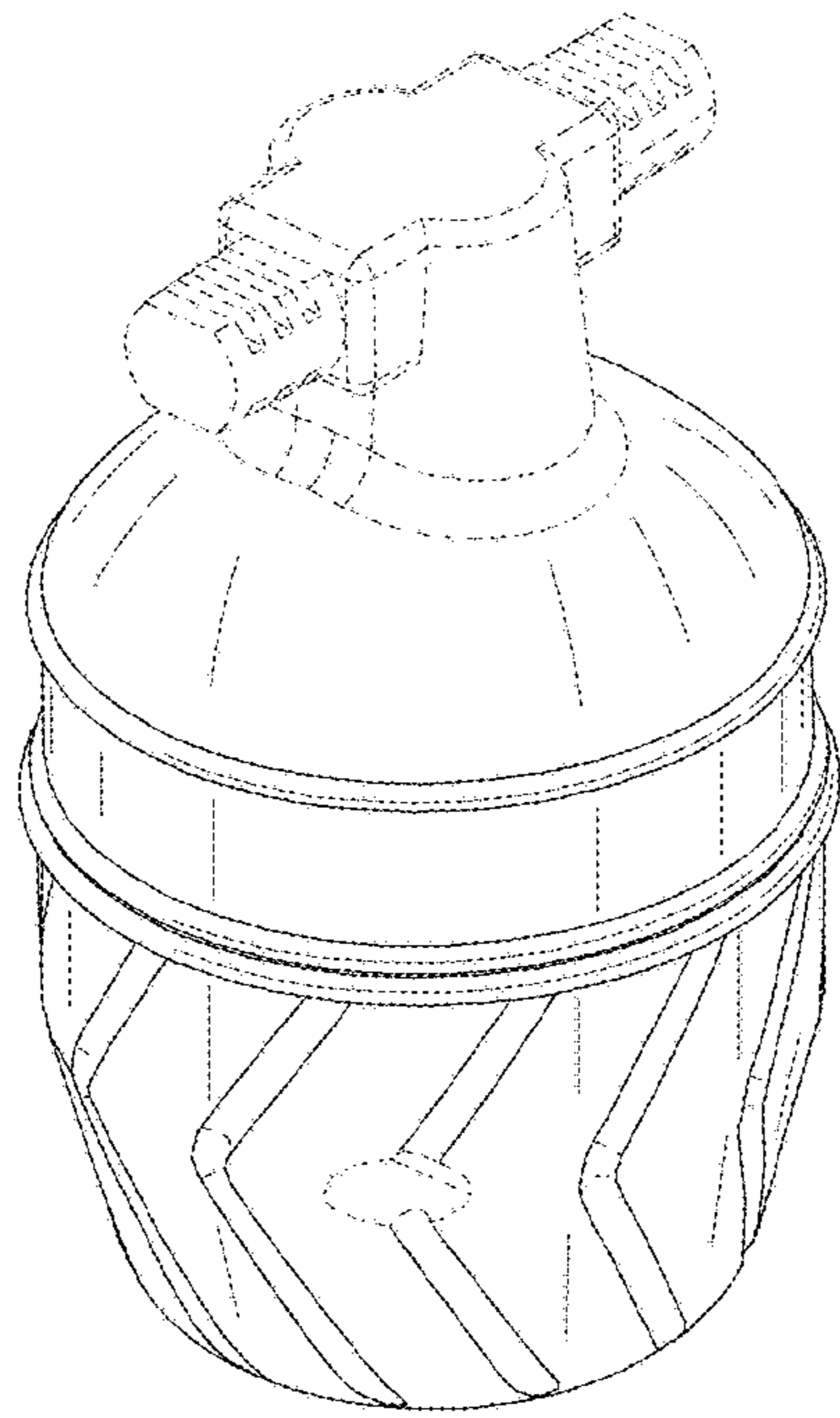


FIG. 1

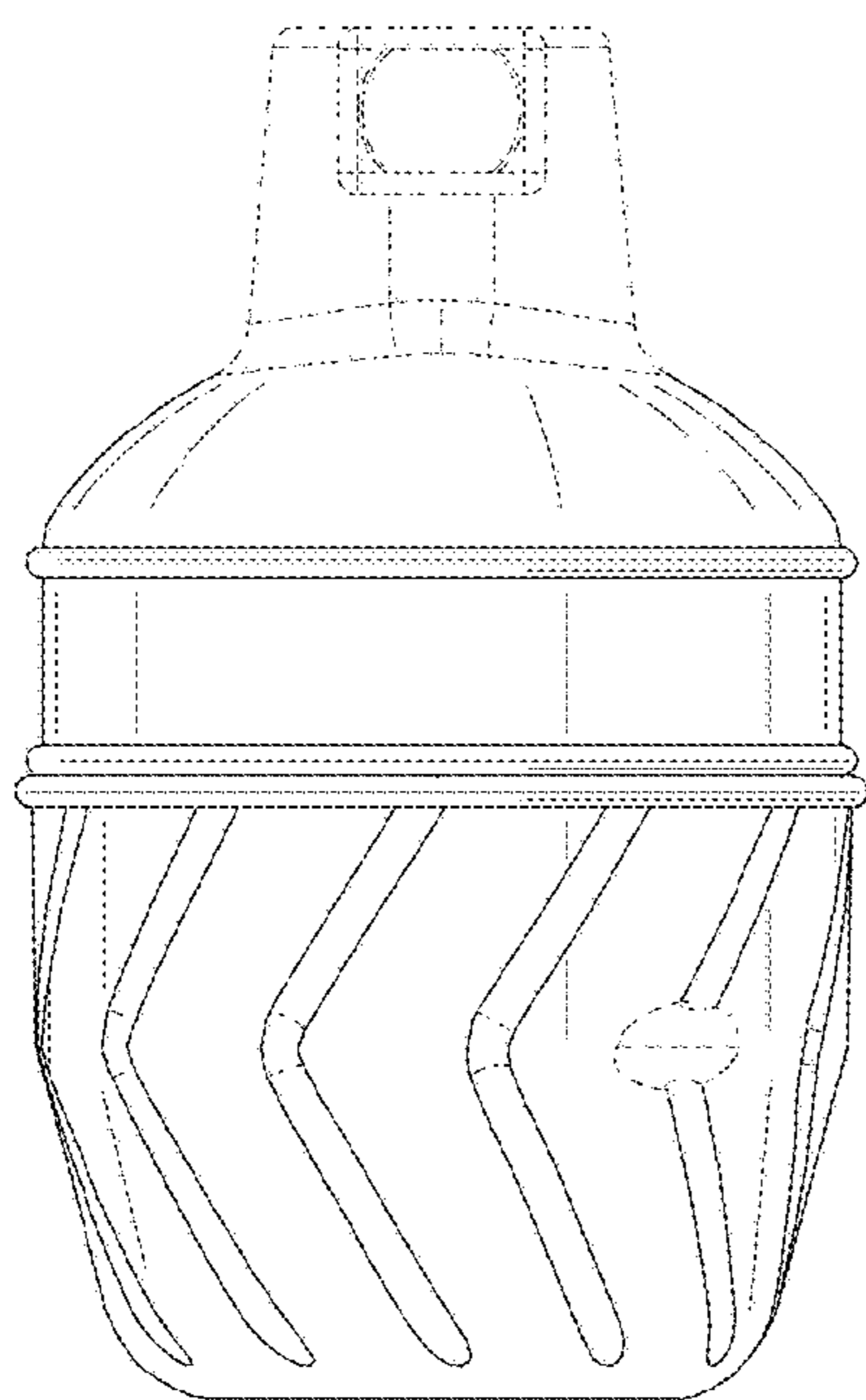


FIG. 2

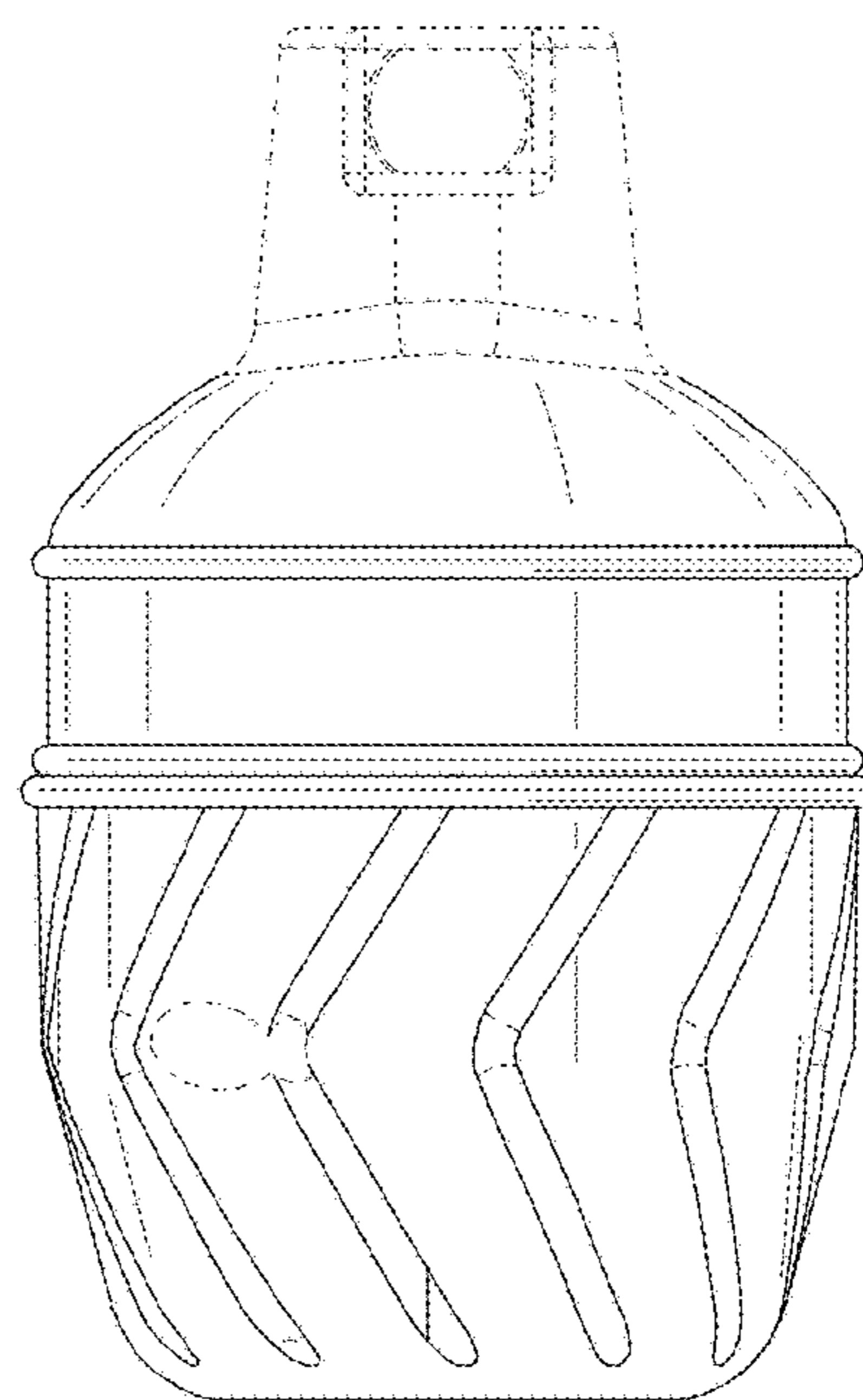


FIG. 3

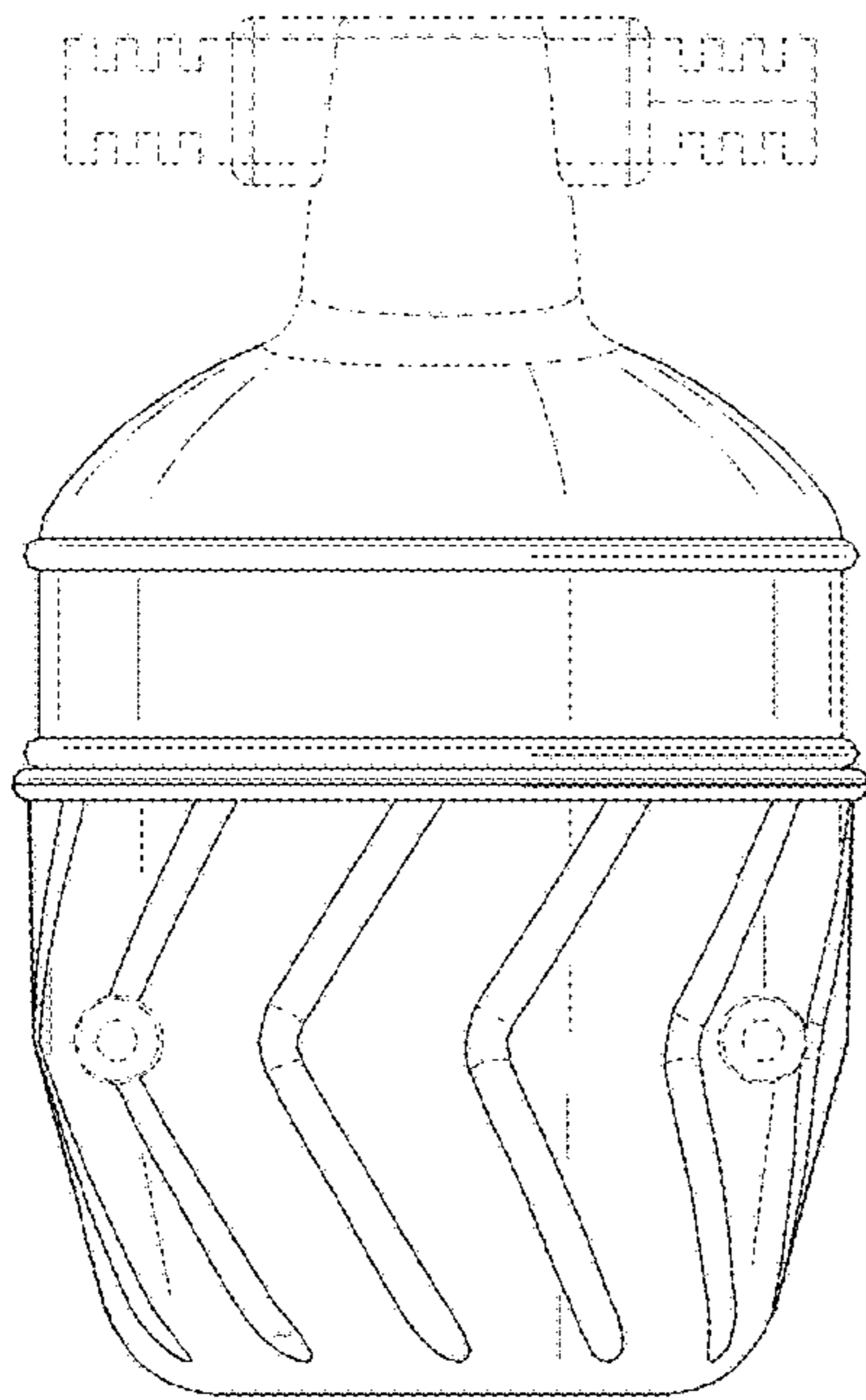


FIG. 4

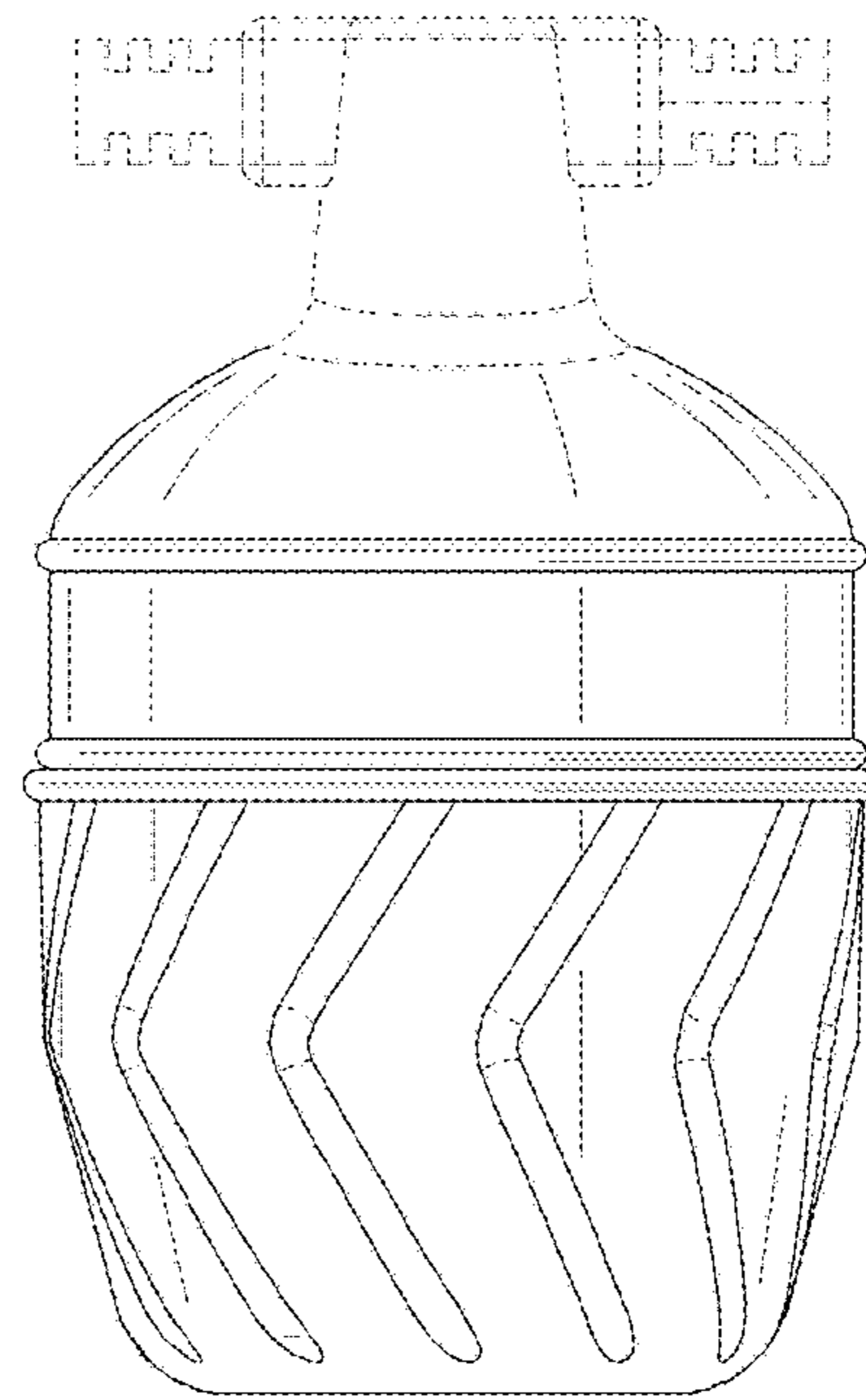


FIG. 5

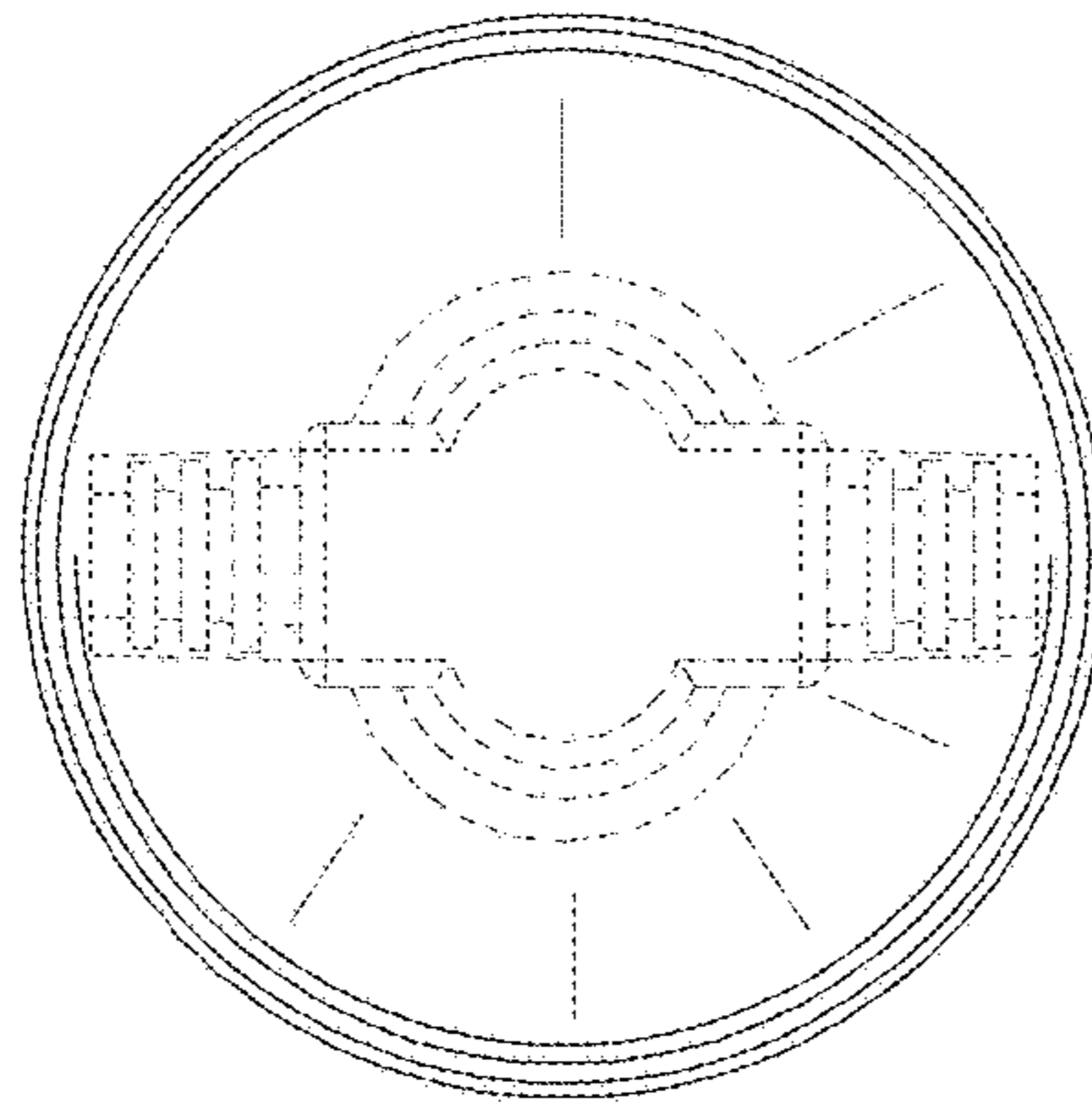


FIG. 6

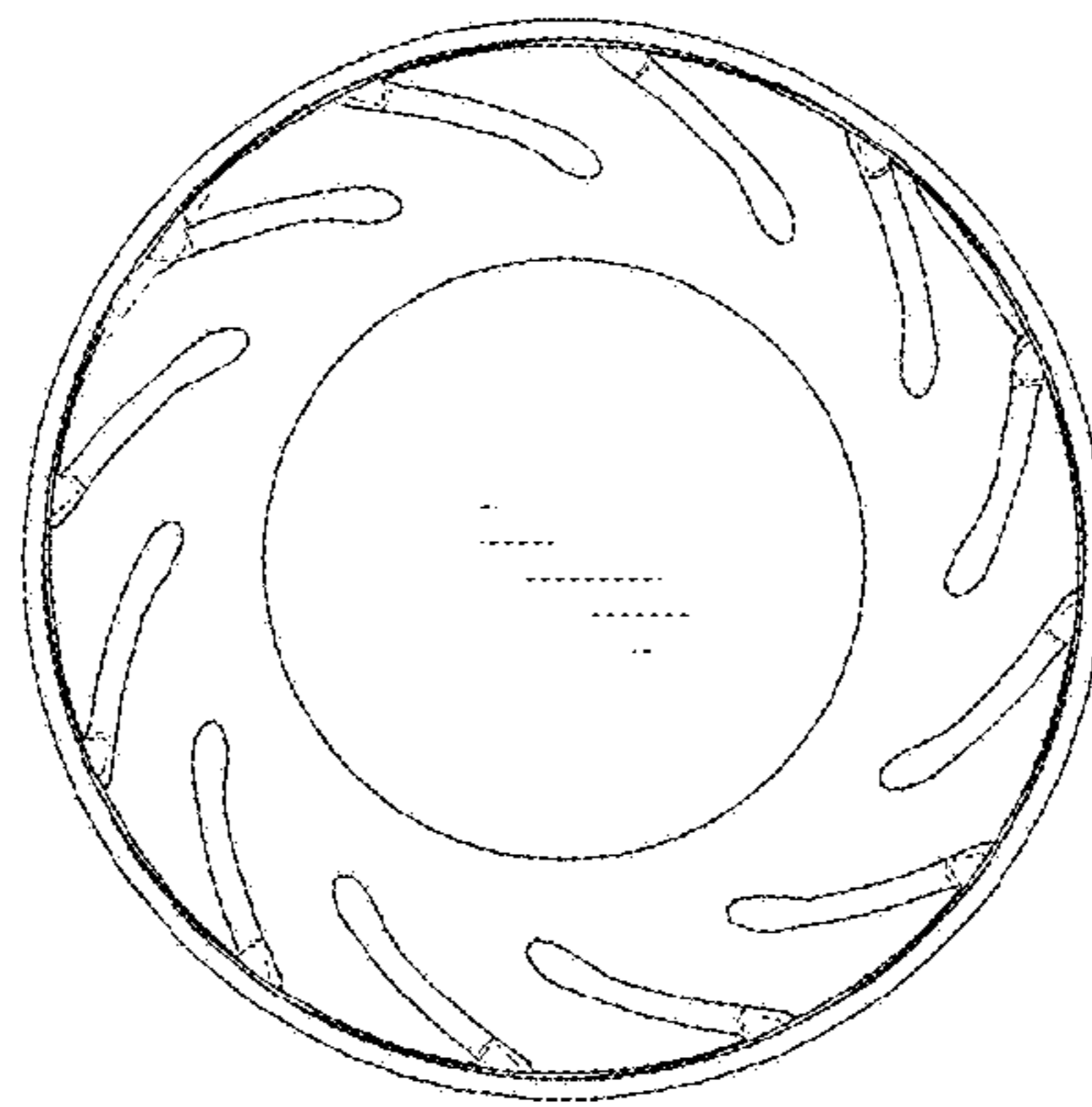


FIG. 7