



US00D863657S

(12) **United States Design Patent**
Zaderej et al.

(10) **Patent No.:** **US D863,657 S**

(45) **Date of Patent:** **** Oct. 15, 2019**

(54) **LIGHTING FIXTURE**

(71) Applicant: **Happy Leaf LLC**, Oregon, IL (US)

(72) Inventors: **Victor Zaderej**, Oregon, IL (US);
Pauline McGann, Oregon, IL (US)

(73) Assignee: **Happy Leaf LLC**, Oregon, IL (US)

(**) Term: **15 Years**

(21) Appl. No.: **29/623,051**

(22) Filed: **Oct. 22, 2017**

(51) **LOC (12) Cl.** **26-99**

(52) **U.S. Cl.**
USPC **D26/118**

(58) **Field of Classification Search**
USPC D26/74, 24, 72, 75, 76, 78, 79, 81, 82,
D26/88, 89, 91, 113, 118, 119, 120, 138,
D26/141, 142
CPC F21V 21/04; F21V 21/041; F21V 7/005;
F21Y 2111/002; F21S 8/026; F21S 8/02;
F21S 8/04
See application file for complete search history.

(56) **References Cited**

U.S. PATENT DOCUMENTS

2,474,308 A * 6/1949 Franck F21S 8/04
362/224
D475,157 S * 5/2003 Mier-Langner D26/118

D592,785 S * 5/2009 Bisberg D26/76
D637,752 S * 5/2011 Mekhtarian D26/72
D703,858 S * 4/2014 Miller D26/76
D824,581 S * 7/2018 Tweel D26/118

* cited by examiner

Primary Examiner — Brian N. Vinson

(74) *Attorney, Agent, or Firm* — Cygan Law Offices P.C.;
Jeffrey S. Dixon

(57) **CLAIM**

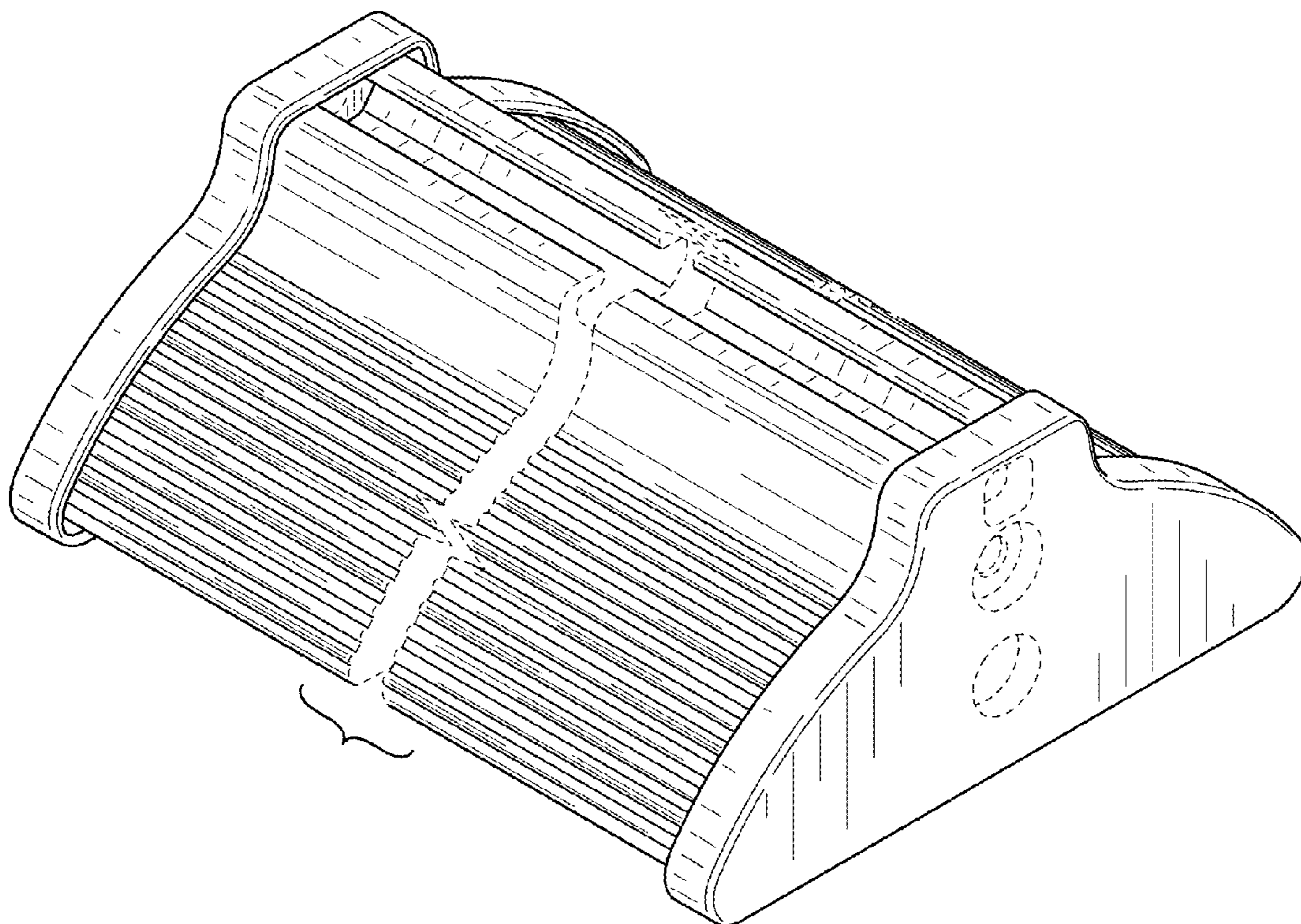
We claim the ornamental design for a lighting fixture, as shown and described.

DESCRIPTION

FIG. 1 is a front right perspective view thereof;
FIG. 2 is a front elevation view thereof;
FIG. 3 is a rear elevation view thereof;
FIG. 4 is a left side elevational view thereof;
FIG. 5 is a right side elevational view thereof;
FIG. 6 is a top plan view thereof; and,
FIG. 7 is a bottom plan view.

The broken lines illustrate portions of the article which form no part of the claimed design. The area between the broken lines which indicate that the article is shown broken away forms no part of the claimed design. The cross-sectional shape of the article is understood to be uniform over the broken away portion and to match that of the adjacent portions.

1 Claim, 4 Drawing Sheets



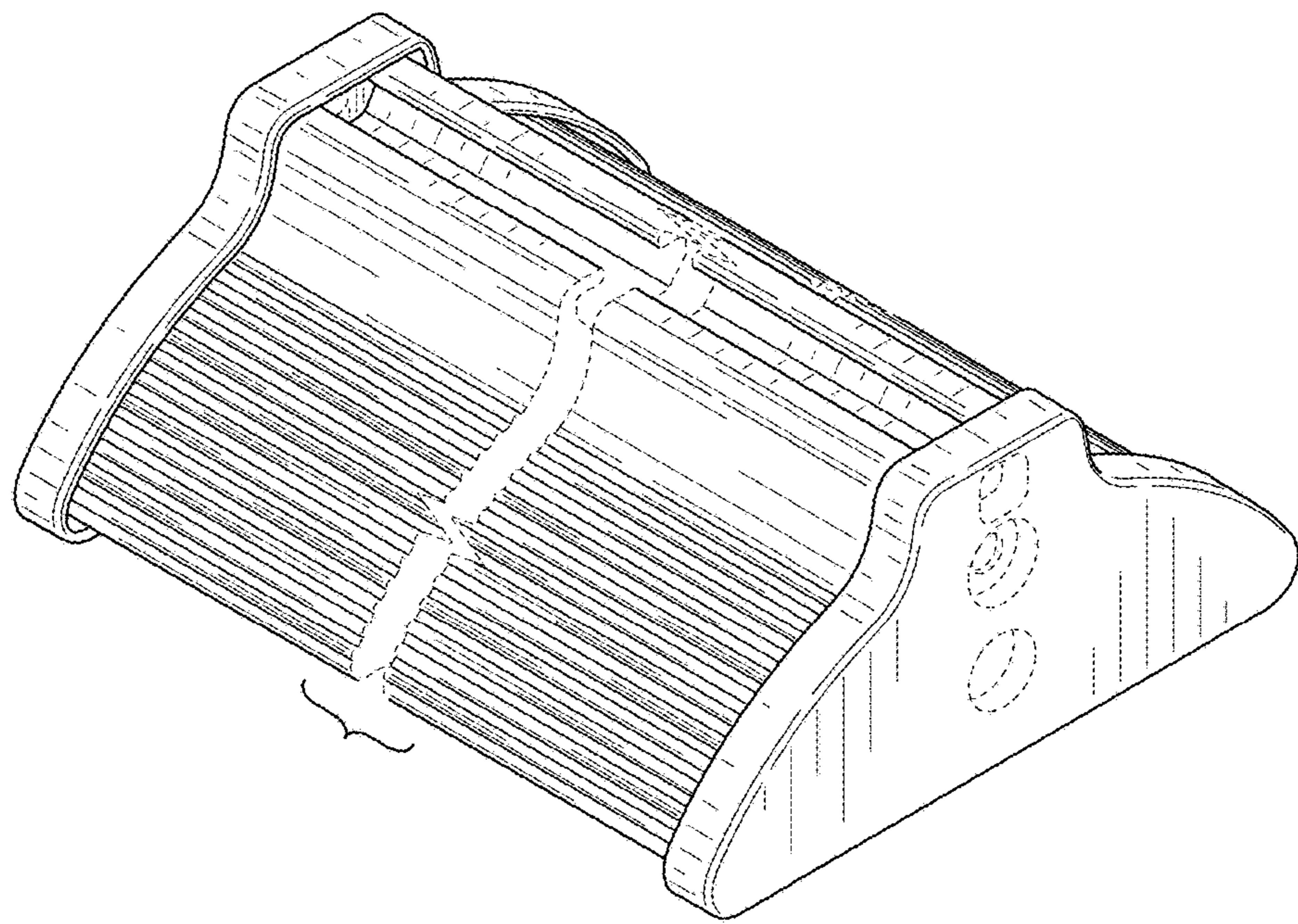


FIG. 1

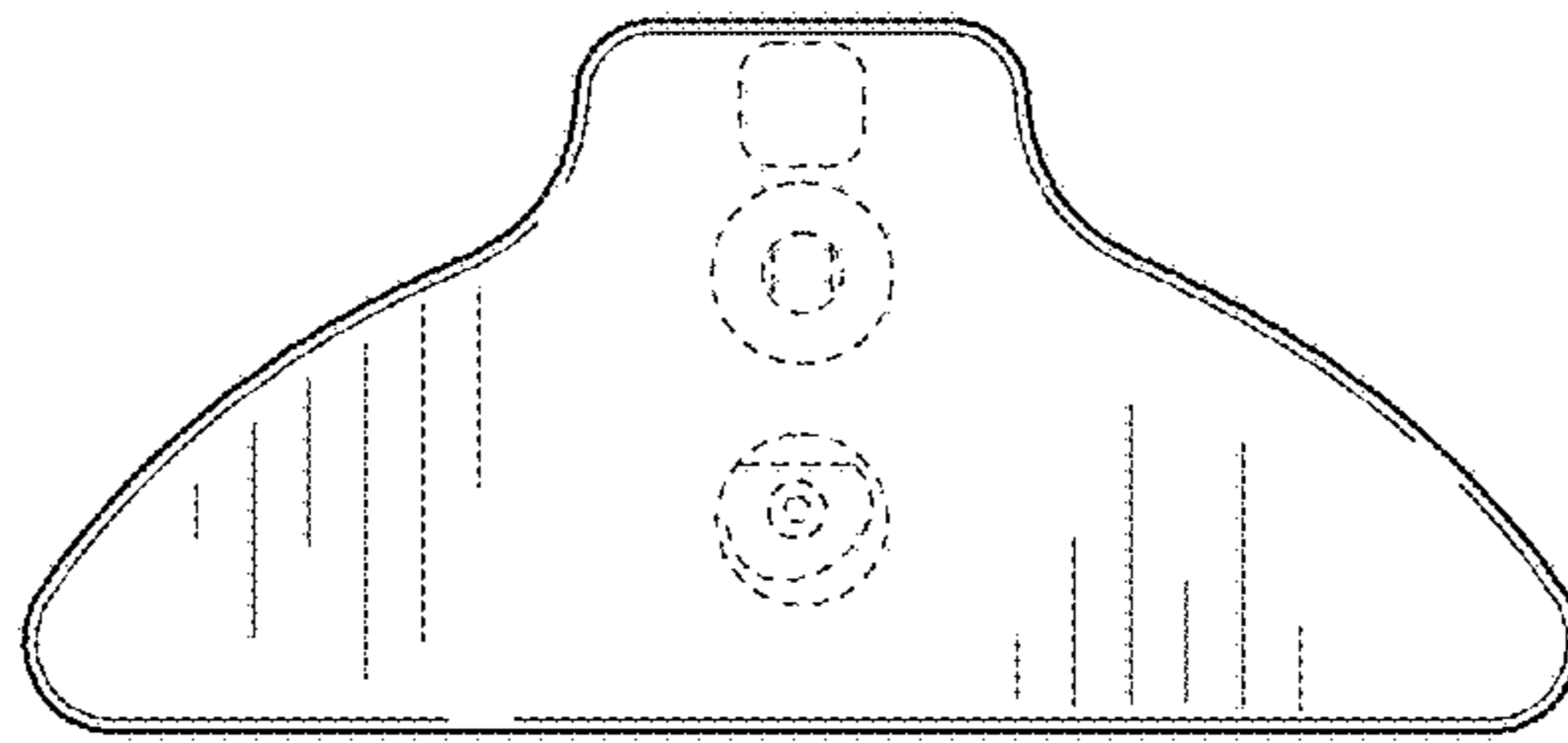


FIG. 2

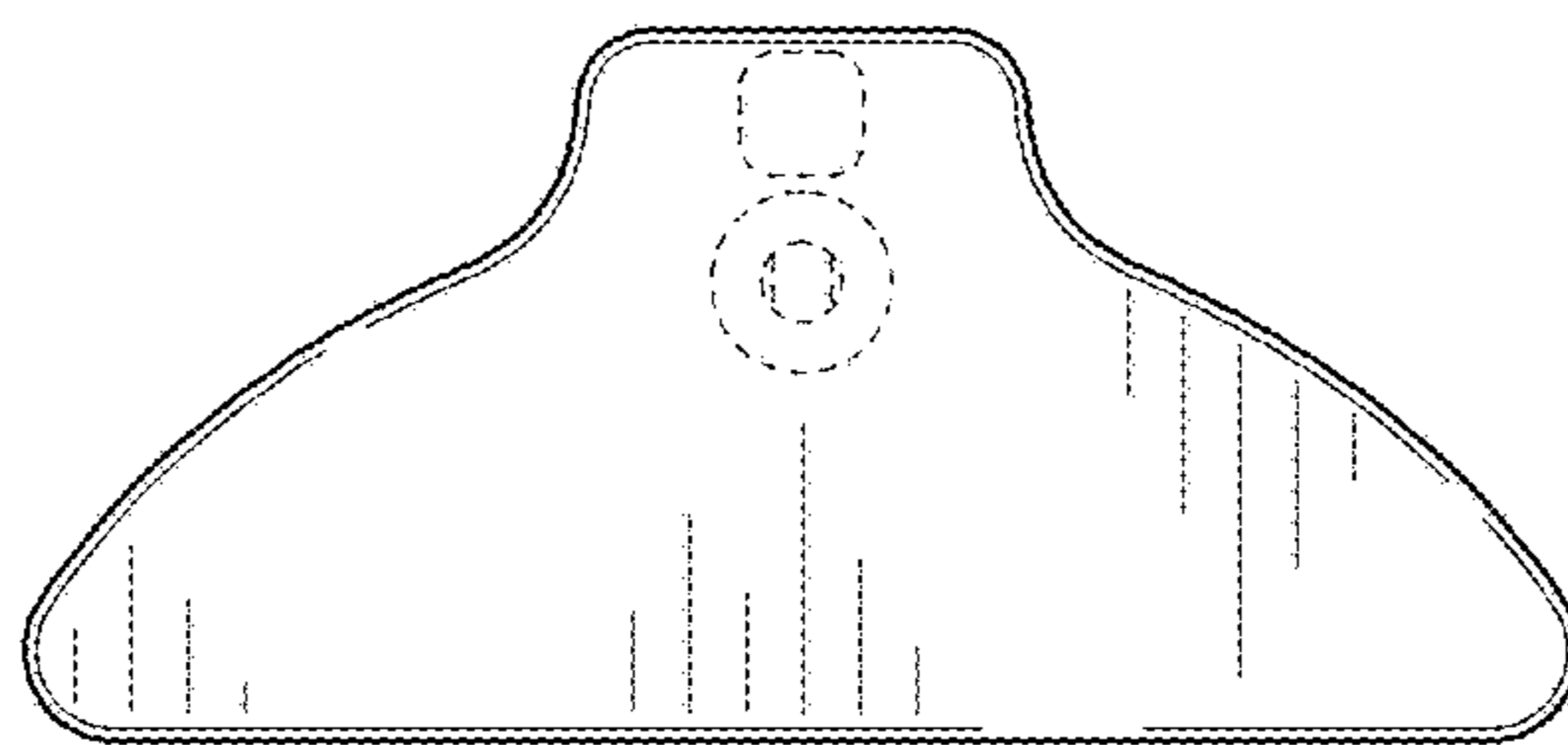


FIG. 3

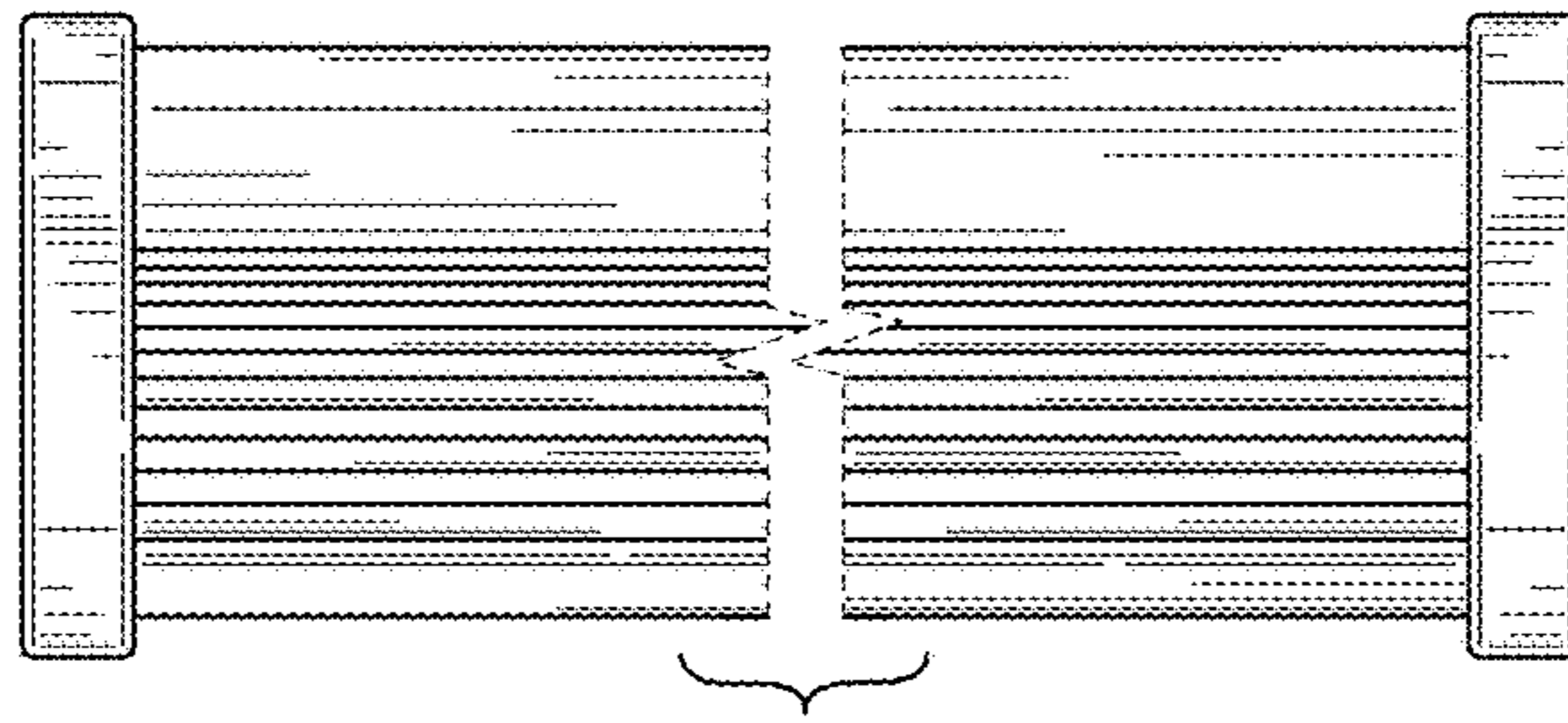


FIG. 4

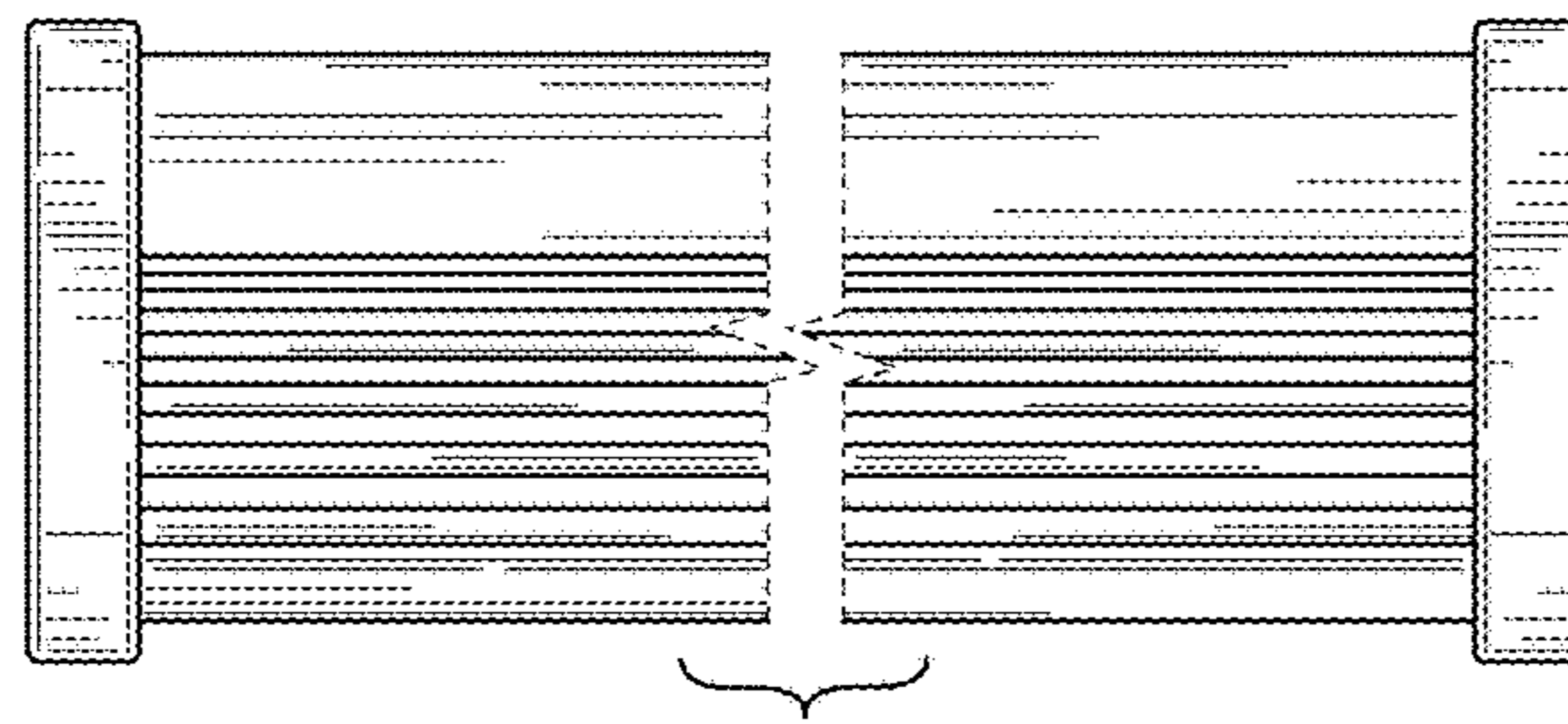


FIG. 5

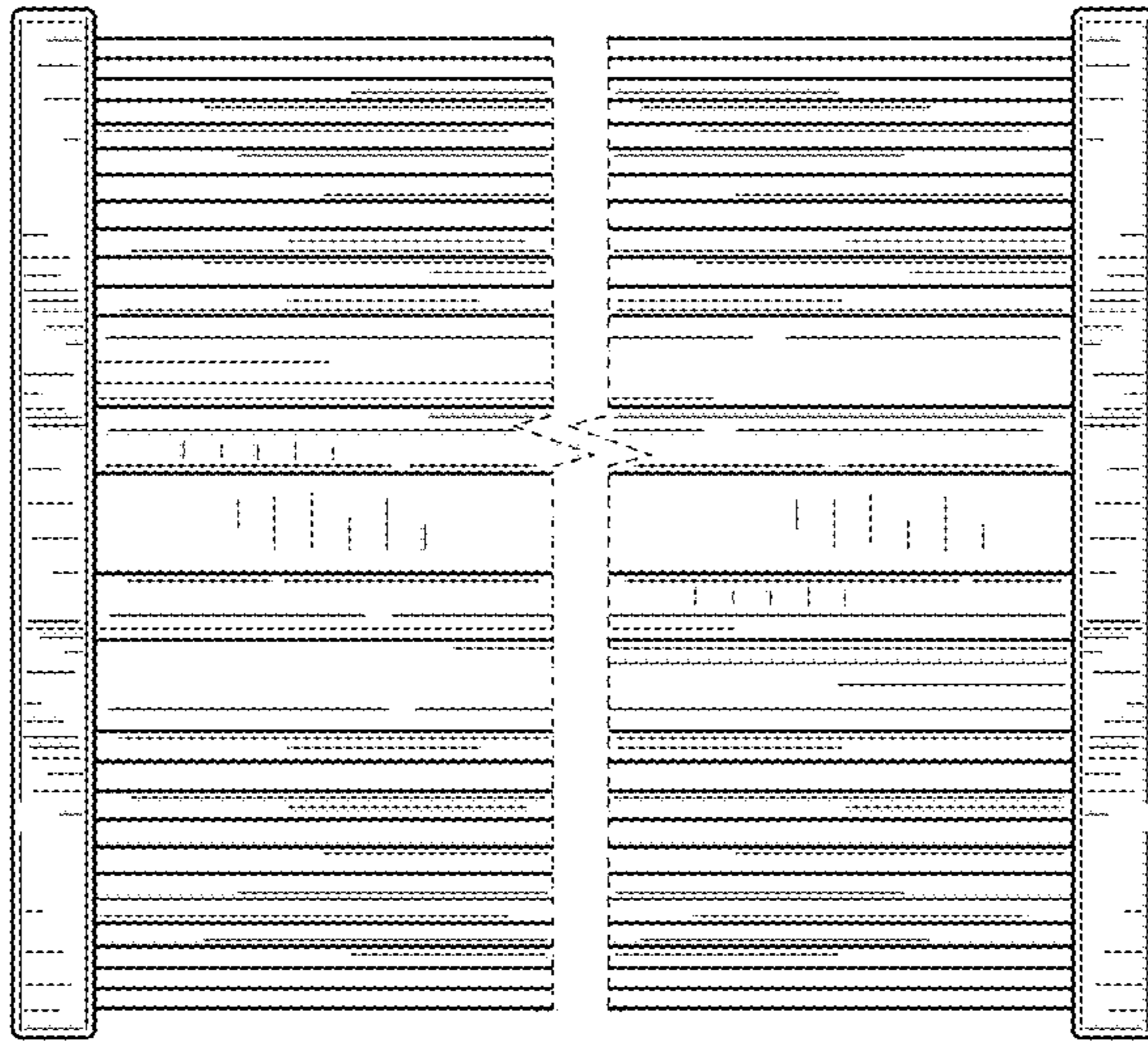


FIG. 6

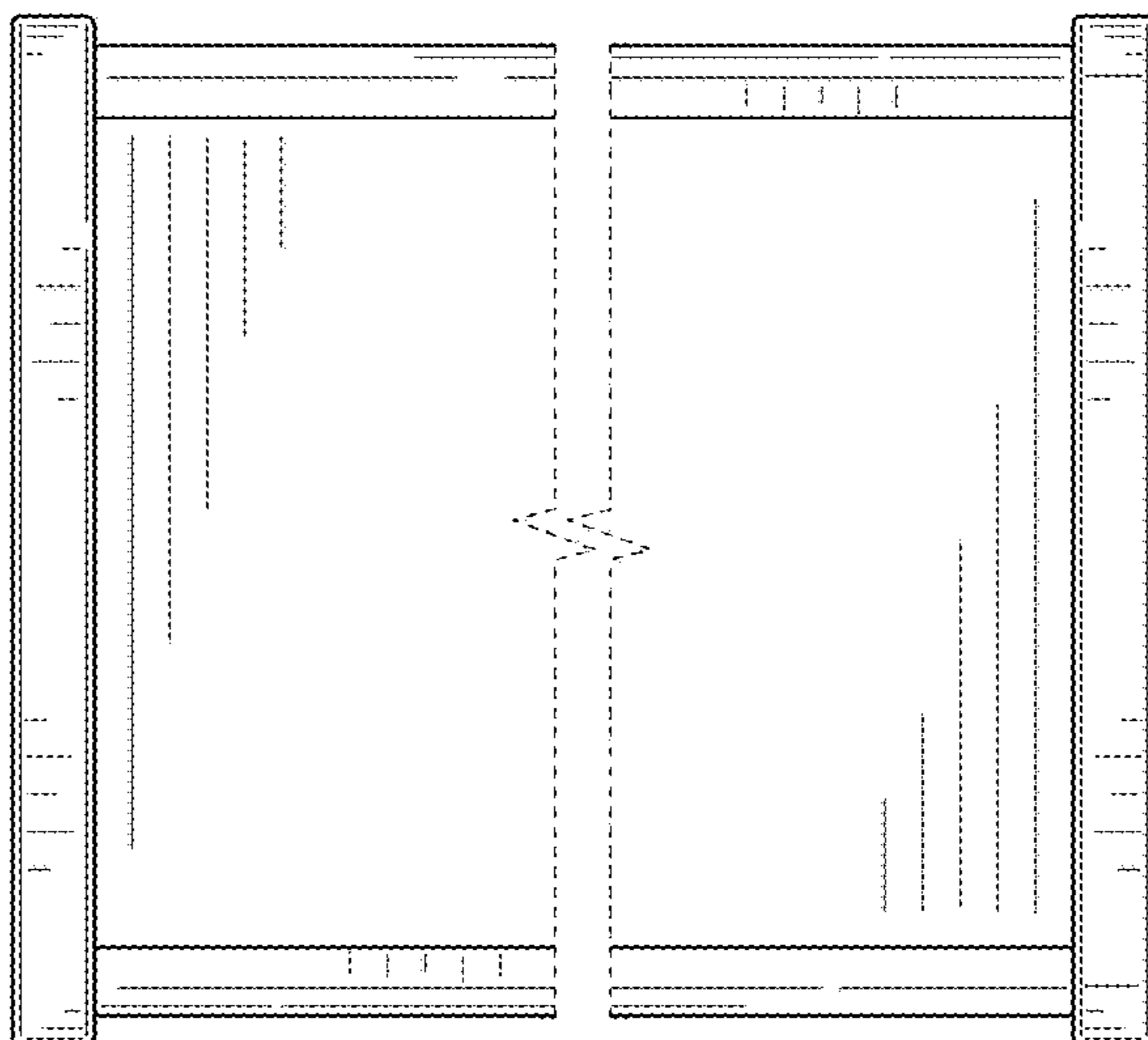


FIG. 7