



US00D863655S

(12) **United States Design Patent**
Huang

(10) **Patent No.:** **US D863,655 S**

(45) **Date of Patent:** **** Oct. 15, 2019**

(54) **SOLAR FLAME LANTERN LIGHT**

D694,458 S	11/2013	Yang	
D738,560 S *	9/2015	Cohen	D26/110
D803,469 S *	11/2017	Rauta	D26/110
D850,703 S *	6/2019	Lin	D26/110

(71) Applicant: **Rong Huang**, Shuangfeng (CN)

(72) Inventor: **Rong Huang**, Shuangfeng (CN)

* cited by examiner

(**) Term: **15 Years**

Primary Examiner — Brian N. Vinson

(74) *Attorney, Agent, or Firm* — Wayne V. Harper

(21) Appl. No.: **29/698,426**

(57) **CLAIM**

(22) Filed: **Jul. 17, 2019**

I claim the ornamental design for a solar flame lantern light, as shown and described.

(51) **LOC (12) Cl.** **26-03**

DESCRIPTION

(52) **U.S. Cl.**
USPC **D26/110**

(58) **Field of Classification Search**
USPC D26/24, 37, 53, 93, 104, 106, 110;
D11/131, 141
CPC F21V 21/02; F21W 2131/10; F21W
2131/30; A63F 7/02; A63H 33/40; H01J
5/02

FIG. 1 is a Perspective view of a solar flame lantern light showing my new design;
FIG. 2 is a Front view of the solar flame lantern light as shown in FIG. 1;
FIG. 3 is a Back view of the solar flame lantern light as shown in FIG. 1;
FIG. 4 is a Left-side view of the solar flame lantern light as shown in FIG. 1;
FIG. 5 is a Right-side view of the solar flame lantern light as shown in FIG. 1;
FIG. 6 is a Top view of the solar flame lantern light as shown in FIG. 1; and,
FIG. 7 is a Bottom view of the solar flame lantern light as shown in FIG. 1.

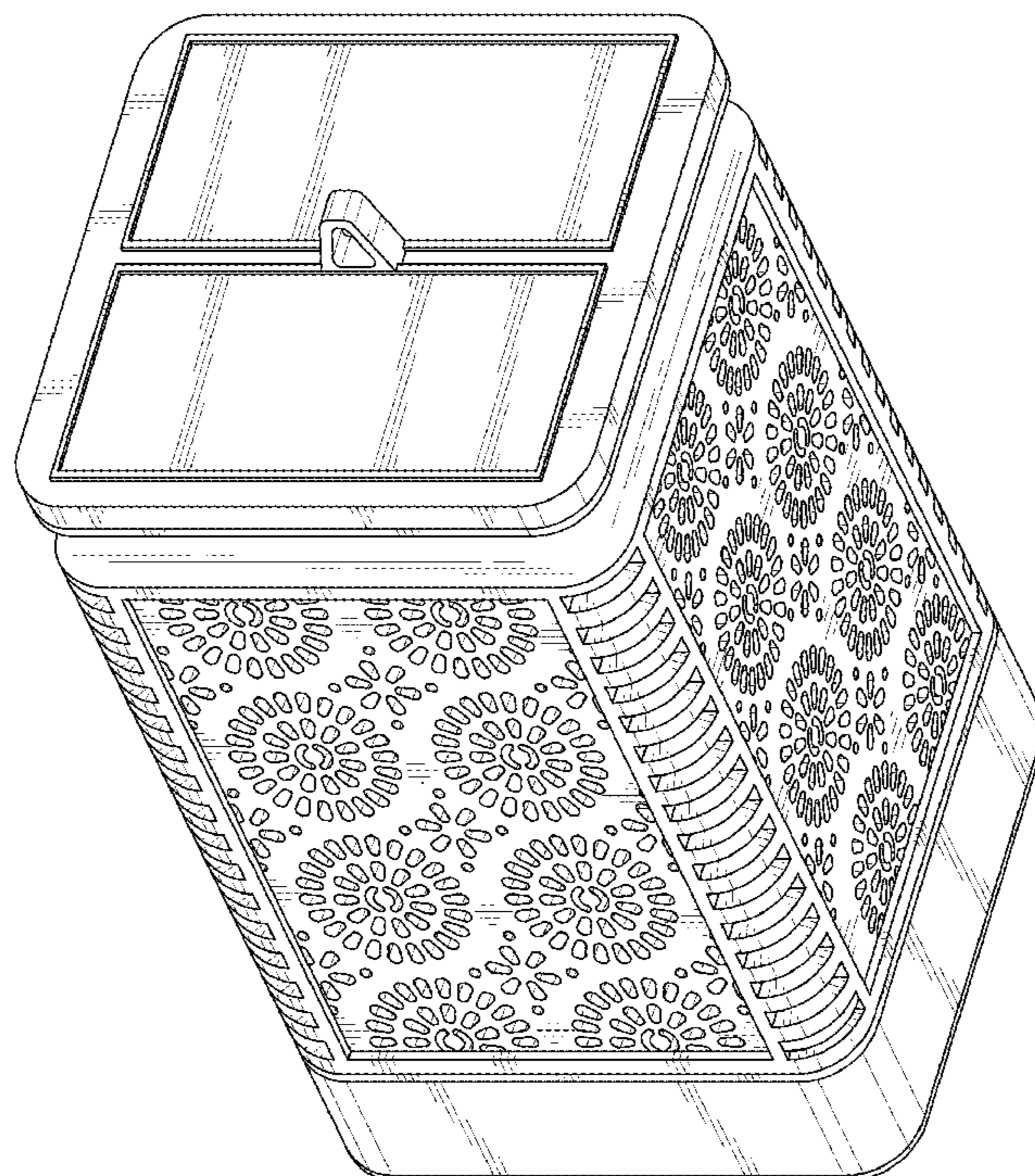
See application file for complete search history.

(56) **References Cited**

U.S. PATENT DOCUMENTS

D463,613 S *	9/2002	Block	D26/110
D517,724 S *	3/2006	Morrow	D26/110
D529,647 S	10/2006	Shiu	
D693,953 S *	11/2013	Yang	D26/104

1 Claim, 7 Drawing Sheets



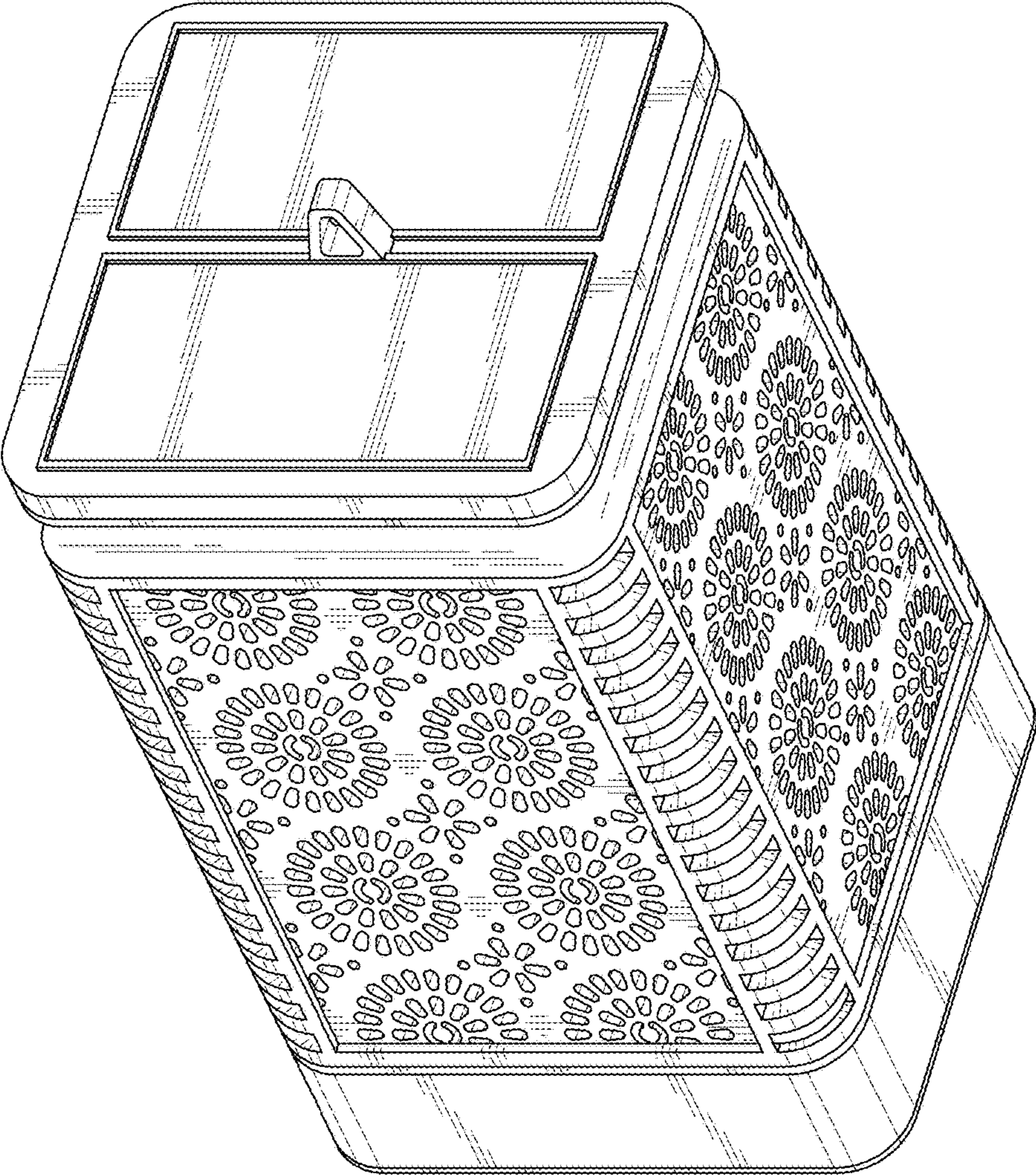


FIG. 1

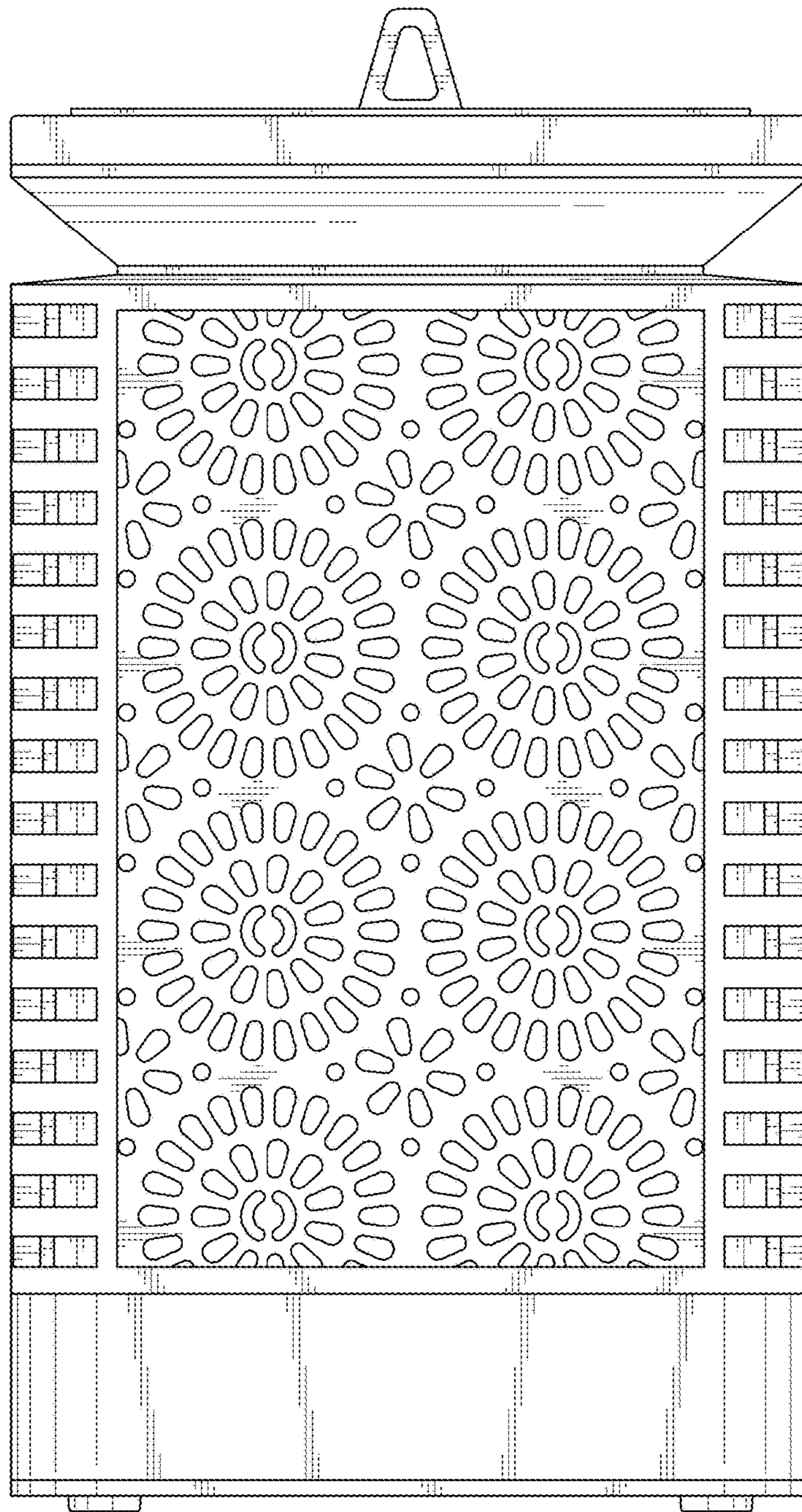


FIG. 2

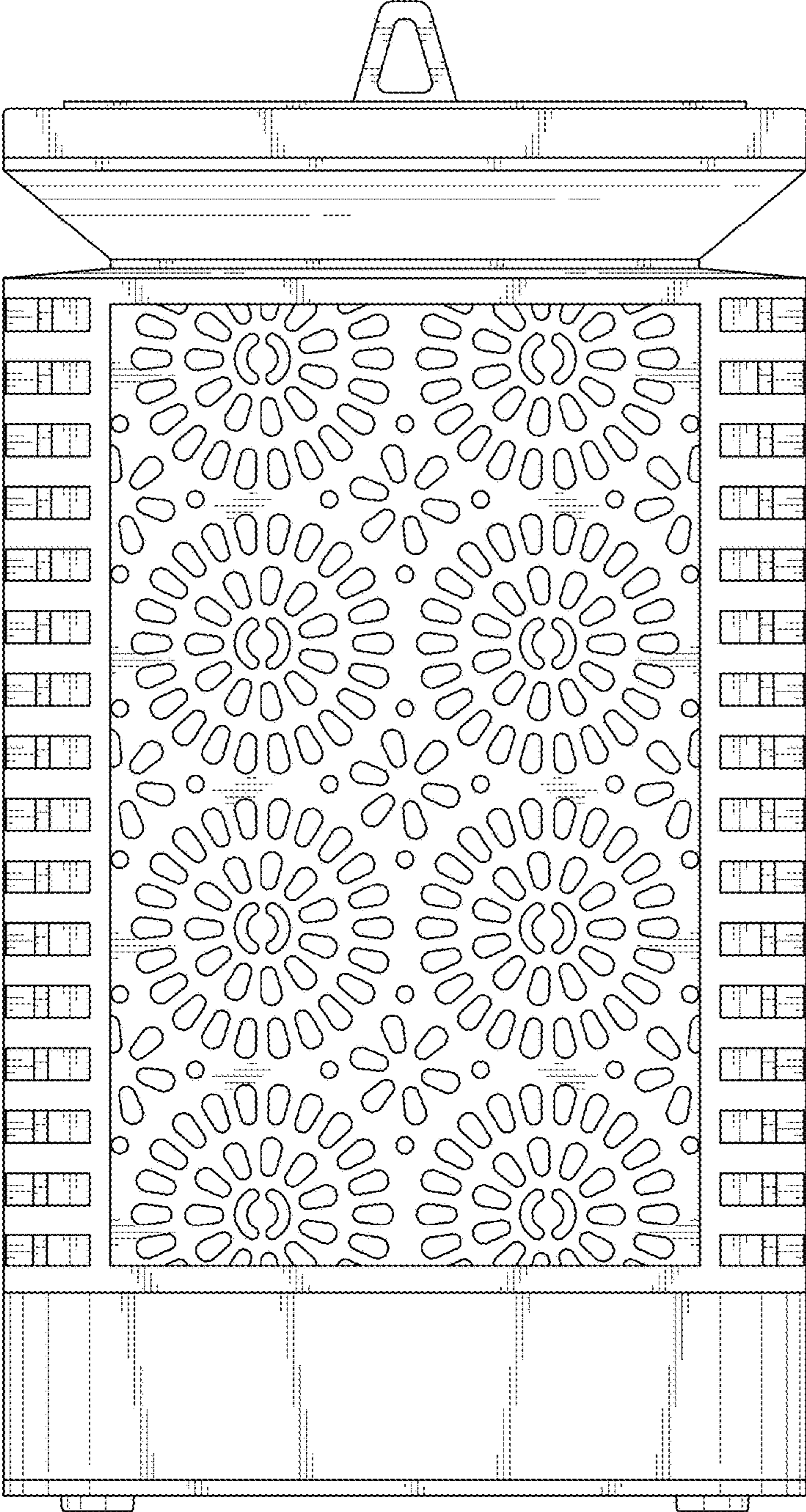


FIG. 3

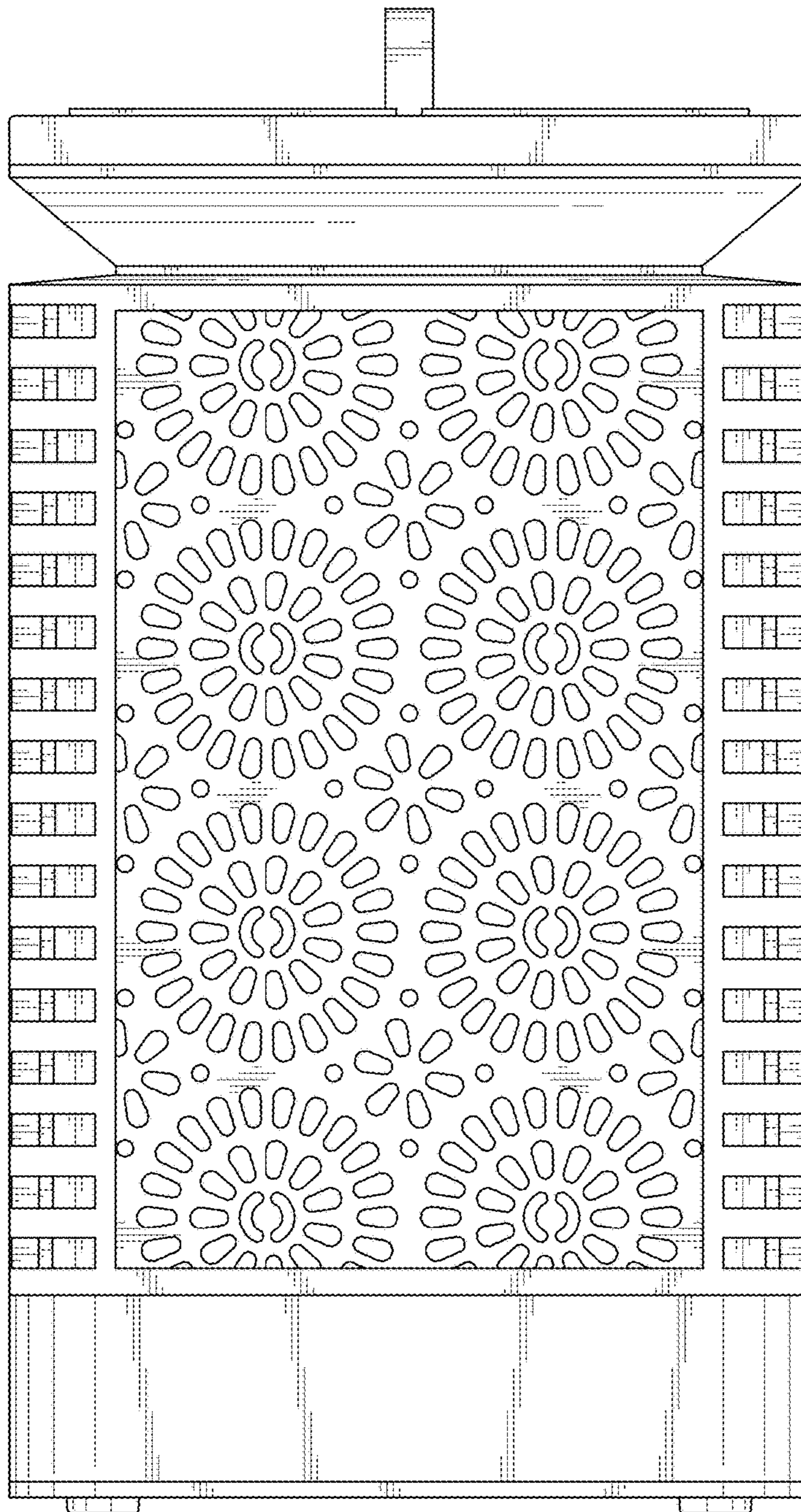


FIG. 4

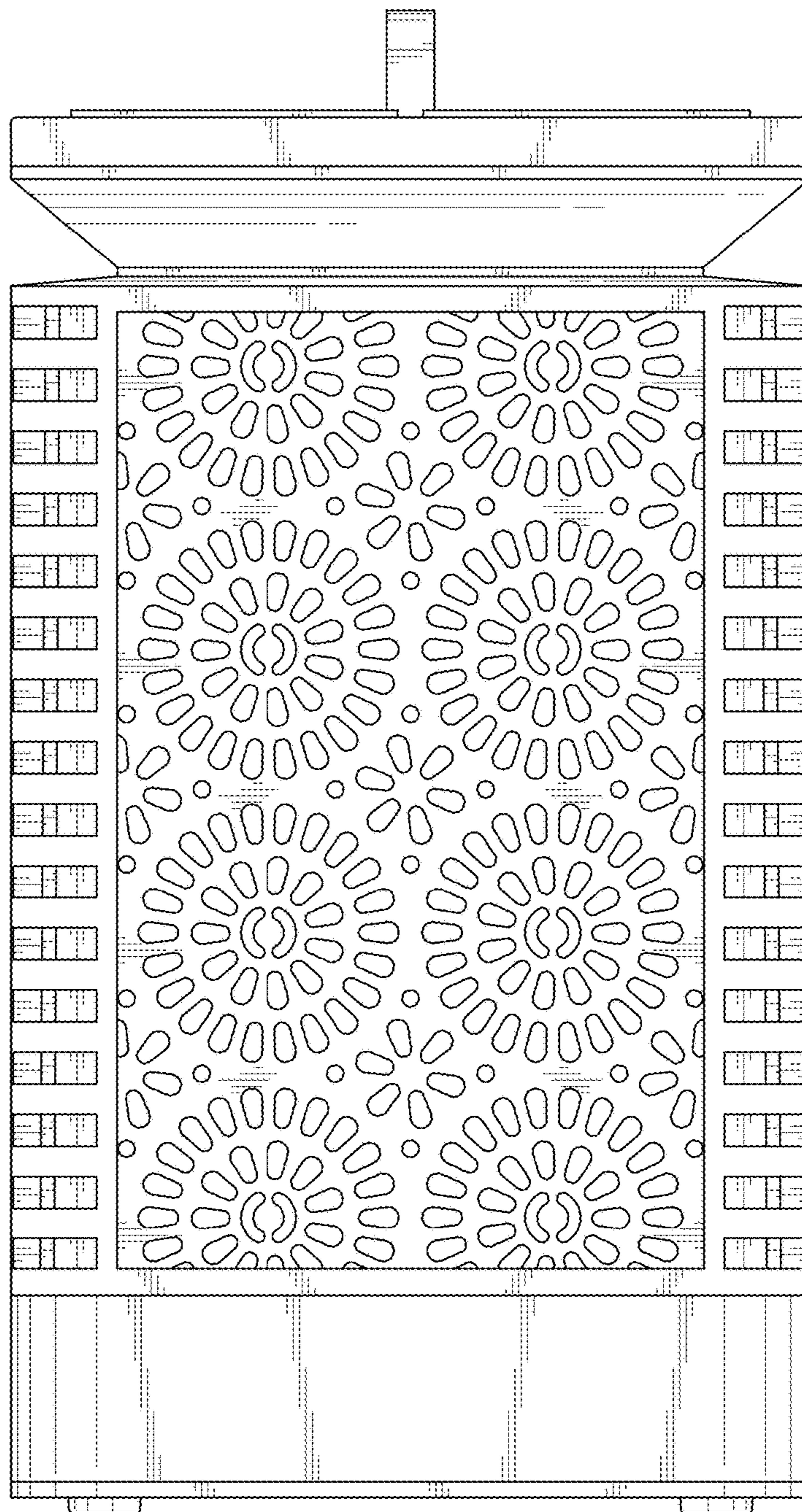


FIG. 5

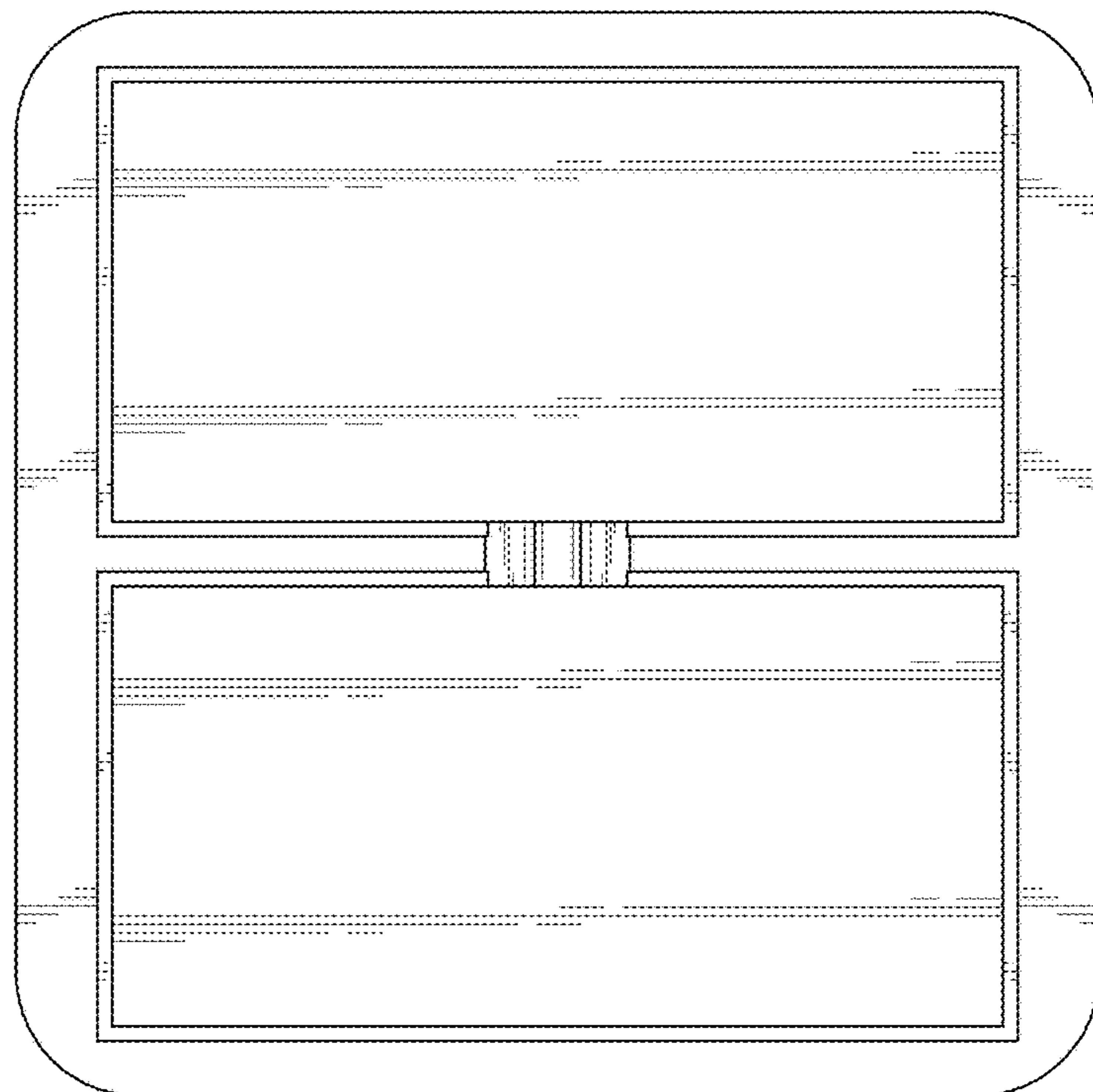


FIG. 6

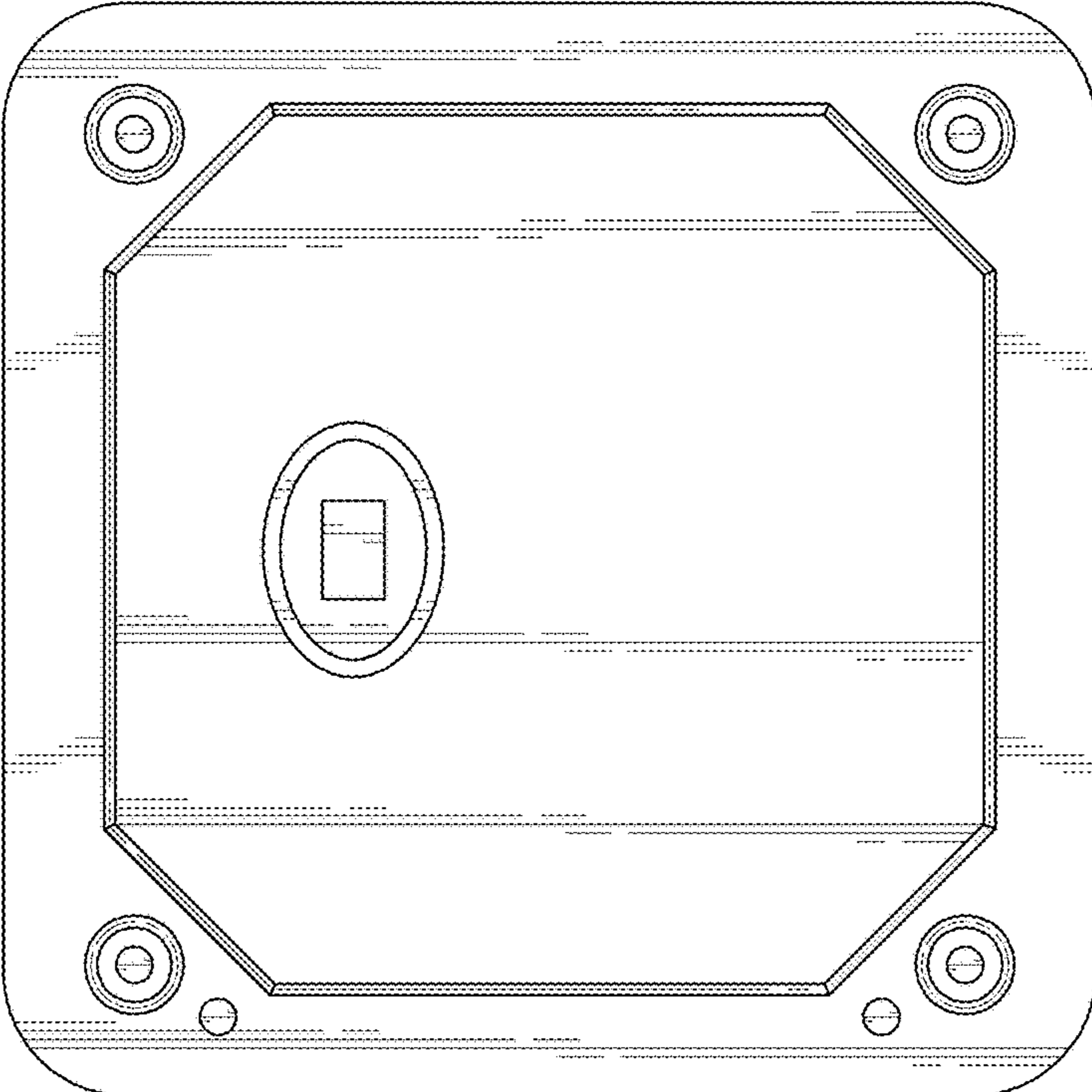


FIG. 7