



US00D863654S

(12) **United States Design Patent**  
**Beattie**

(10) **Patent No.:** **US D863,654 S**

(45) **Date of Patent:** **\*\* Oct. 15, 2019**

(54) **TABLE LAMP**

(71) Applicant: **Pamela J. Beattie**, Pemberton (CA)

(72) Inventor: **Pamela J. Beattie**, Pemberton (CA)

(\*\*) Term: **15 Years**

(21) Appl. No.: **29/612,714**

(22) Filed: **Aug. 3, 2017**

(51) **LOC (12) Cl.** ..... **26-03**

(52) **U.S. Cl.**  
USPC ..... **D26/106**

(58) **Field of Classification Search**  
USPC ..... D26/63, 93, 102, 103, 104, 106, 108,  
D26/110, 112

CPC .. F21S 6/002; F21S 6/004; F21S 6/005; F21S  
6/006; F21S 6/007; F21S 6/008

See application file for complete search history.

(56) **References Cited**

**U.S. PATENT DOCUMENTS**

D29,223 S *	8/1898	Linsley et al. ....	D26/110
D42,285 S *	3/1912	Grelle .....	D26/68
D53,402 S *	6/1919	Ronsko .....	D26/102
D64,357 S *	4/1924	Kleine .....	D26/68
D73,358 S *	8/1927	Young .....	D26/110
D83,933 S *	4/1931	States .....	D26/110
D148,096 S *	12/1947	Sommerville .....	D26/104
D189,152 S *	11/1960	Cole .....	D26/110
D191,280 S *	9/1961	Hansen .....	D26/110
D238,199 S *	12/1975	Michaeli .....	D26/110
D289,444 S *	4/1987	Manton .....	D26/110
D289,561 S *	4/1987	Manton .....	D26/110
D289,563 S *	4/1987	Manton .....	D26/110

**OTHER PUBLICATIONS**

Vintage Twinkle Nighty Night Lights from Venetian Decor 'Oh Baby' Organic and Natural Mercantile, site visited Feb. 8, 2019. (Year: 2019).\*

Vintage Door Knobs to Paperweights blogpost by Victoria (Hometalker) at <www.hometalk.com/7432644/vintage-door-knobs-to-paperweights>; posted as early as Mar. 3, 2015. (Year: 2015).\*

\* cited by examiner

*Primary Examiner* — Clare E Heflin

(74) *Attorney, Agent, or Firm* — Integrity Patent Group, PLC; Charles E. Runyan

(57) **CLAIM**

The ornamental design for a table lamp, as shown and described.

**DESCRIPTION**

FIG. 1 is a top perspective view of a table lamp design showing my new design;

FIG. 2 is a bottom perspective view of the table lamp thereof;

FIG. 3 is a side view of the table lamp thereof;

FIG. 4 is a side view of the table lamp thereof;

FIG. 5 is a front view of the table lamp thereof;

FIG. 6 is a rear view of the table lamp thereof;

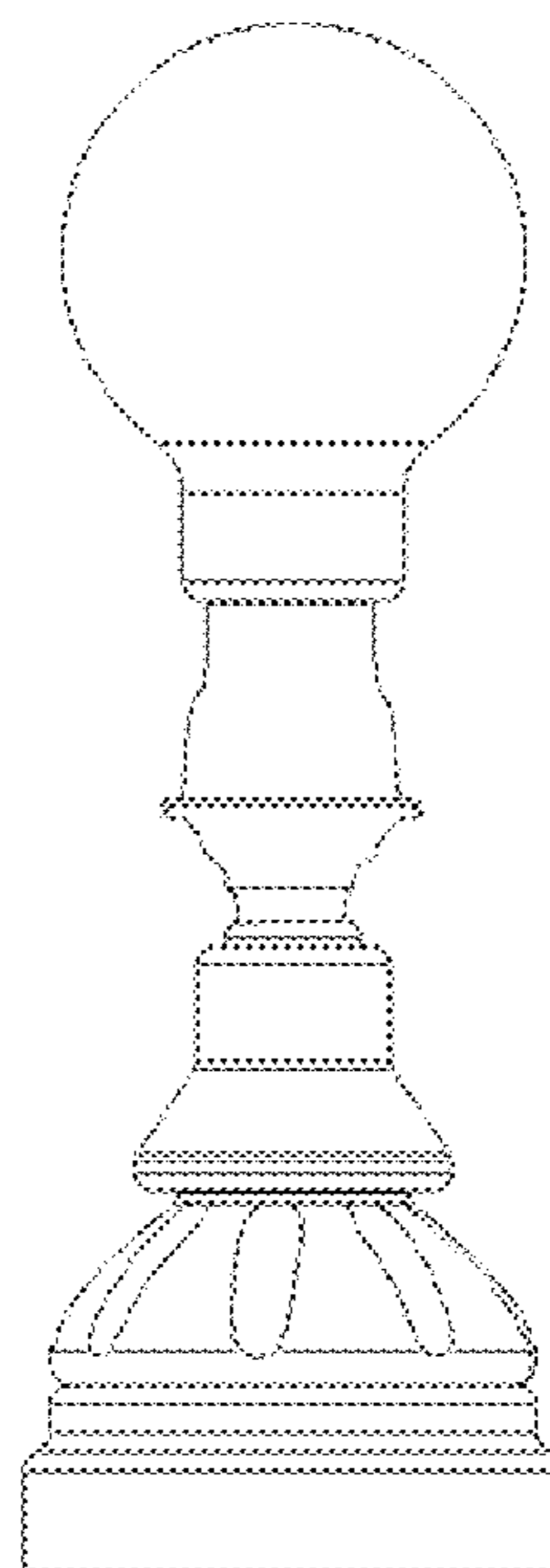
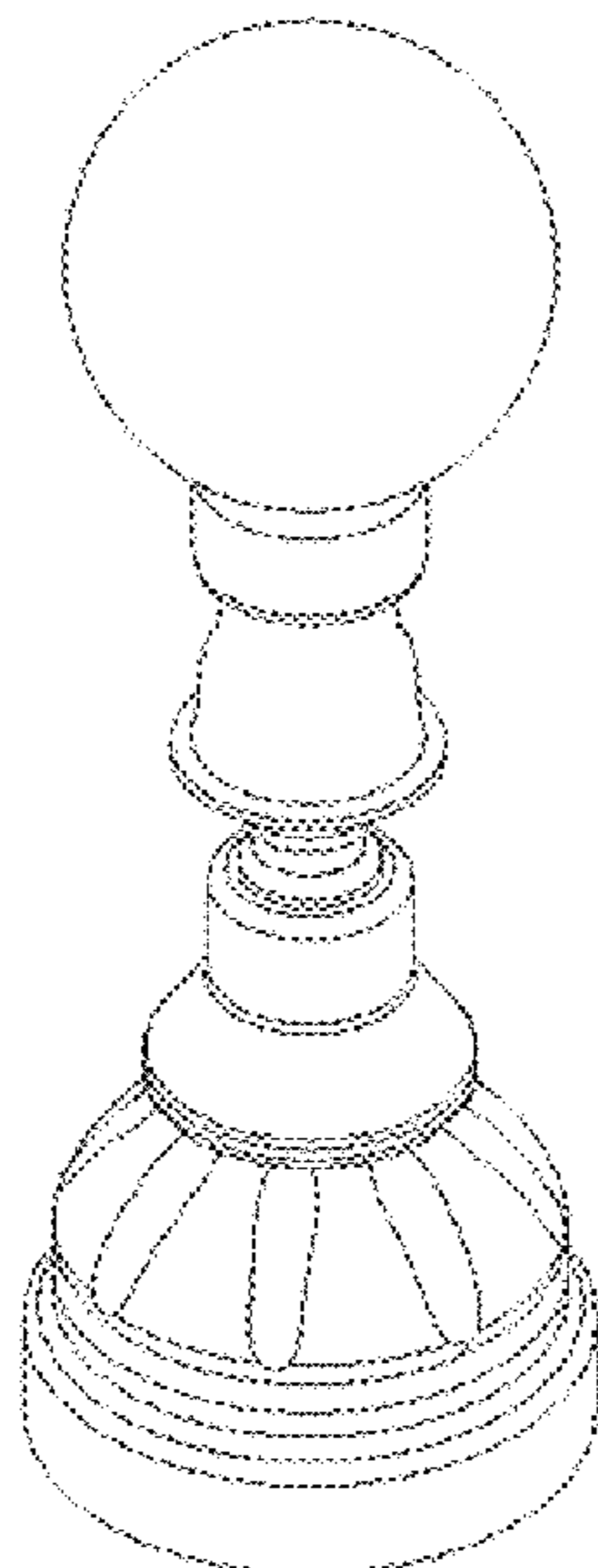
FIG. 7 is a top plan view of the table lamp thereof; and,

FIG. 8 is a bottom plan view of the table lamp thereof.

The broken lines shown on the drawings depict portions of the table lamp that form no part of the claimed design.

The table lamp is characterized by functional lamp made from reused antique parts.

**1 Claim, 8 Drawing Sheets**



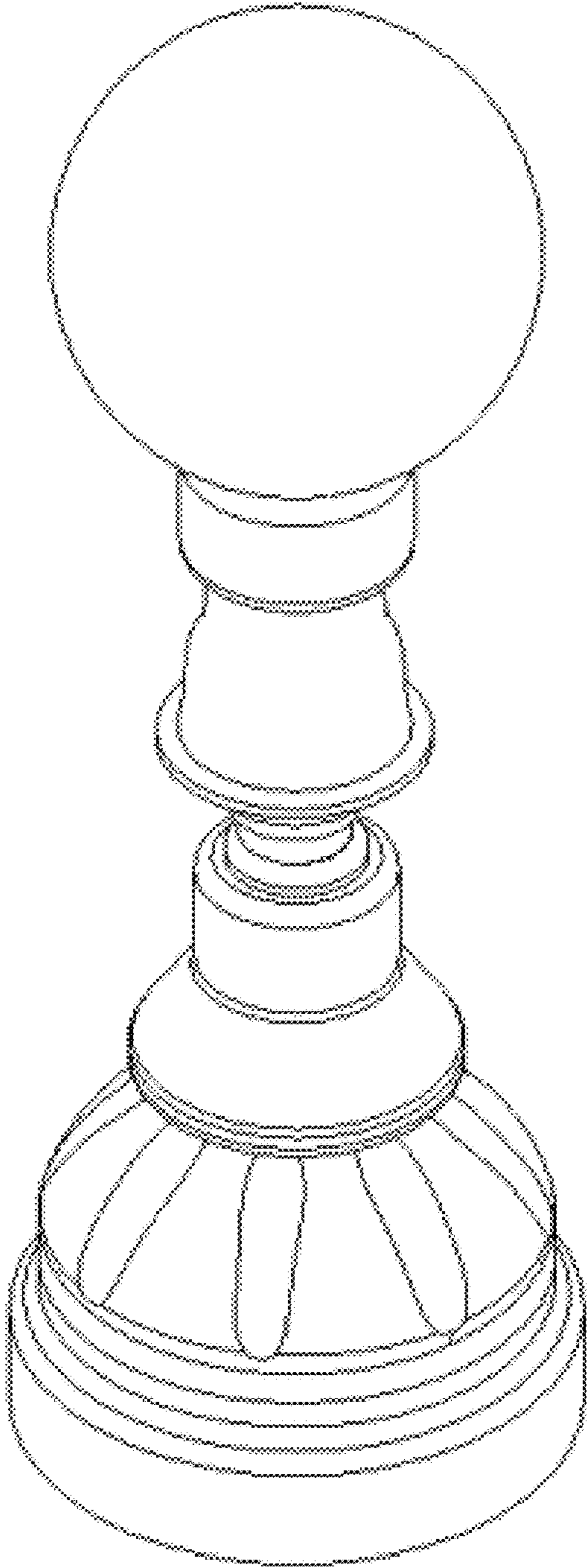


FIG. 1

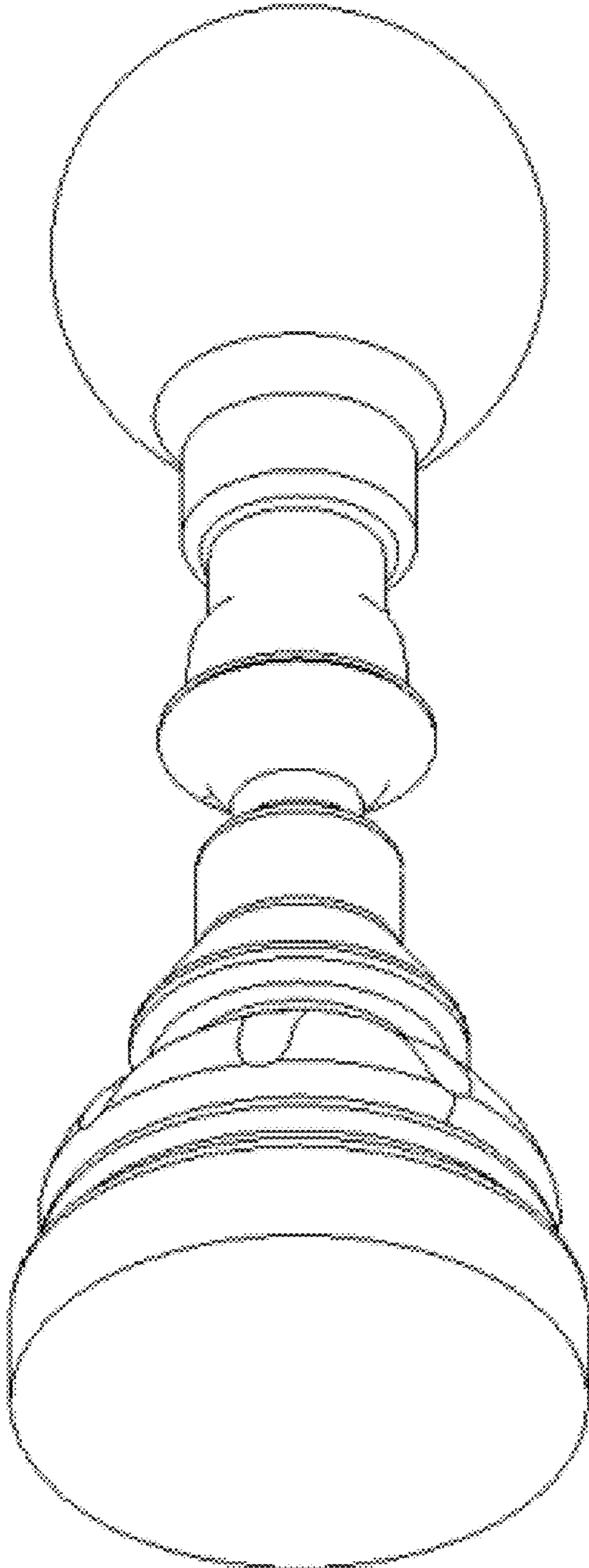


FIG. 2

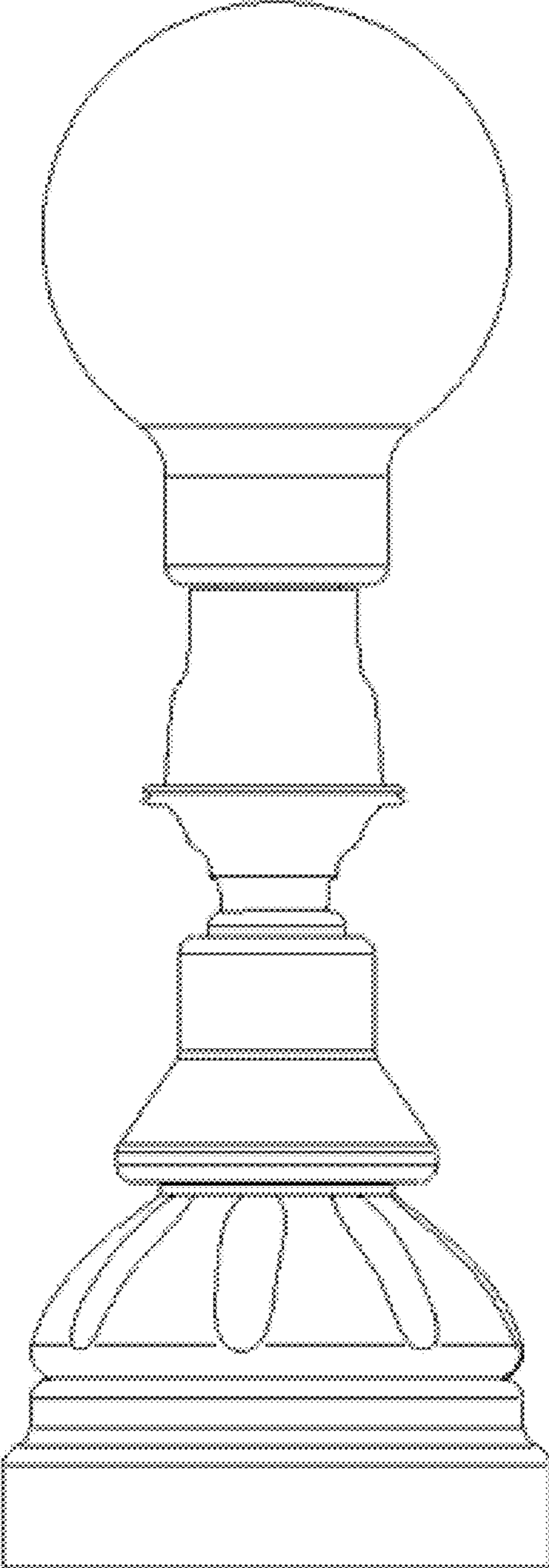


FIG. 3

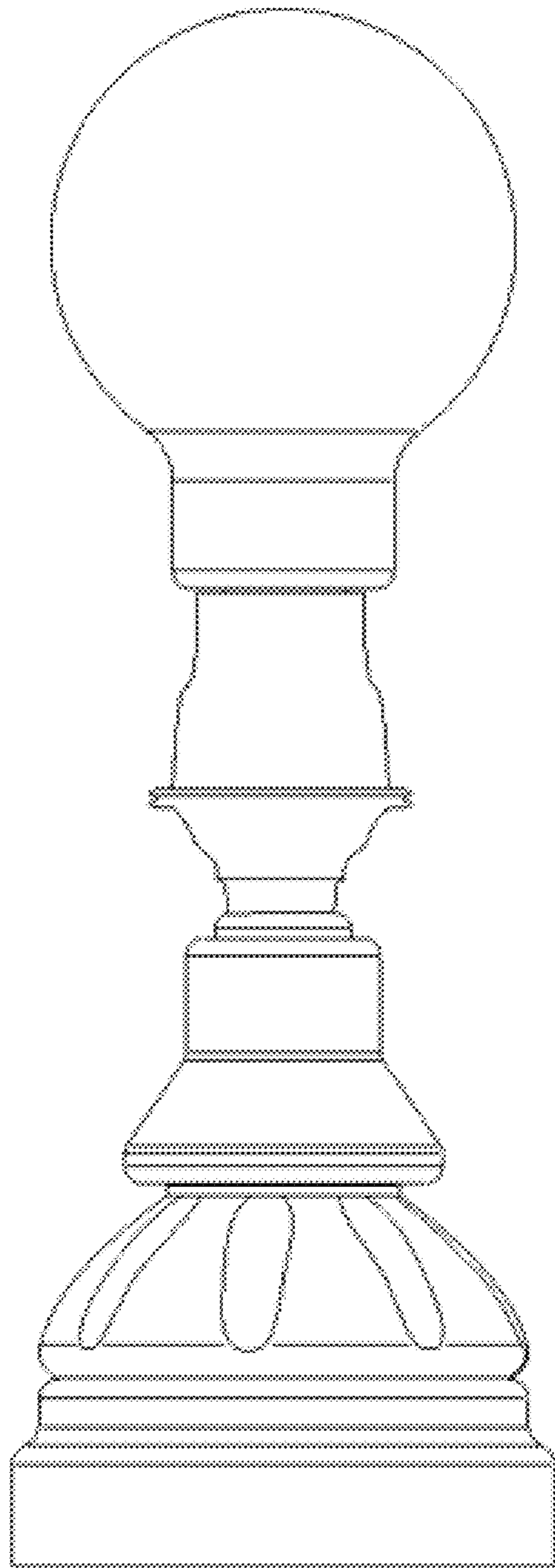


FIG. 4



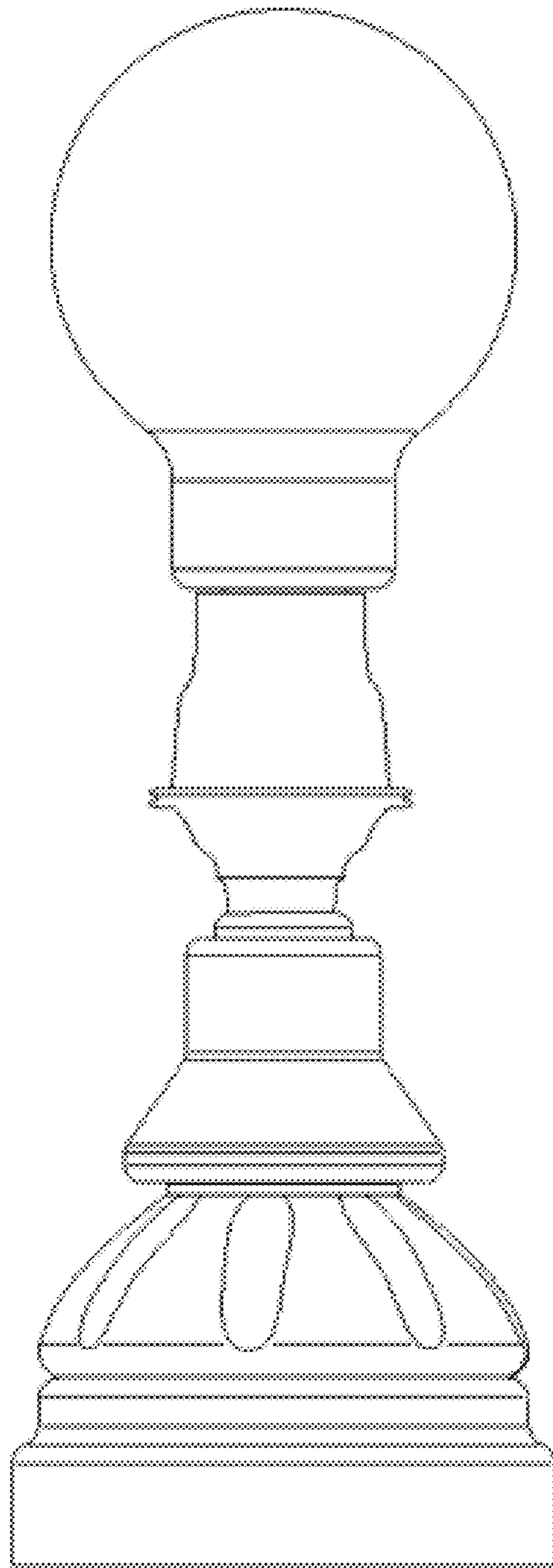


FIG. 5

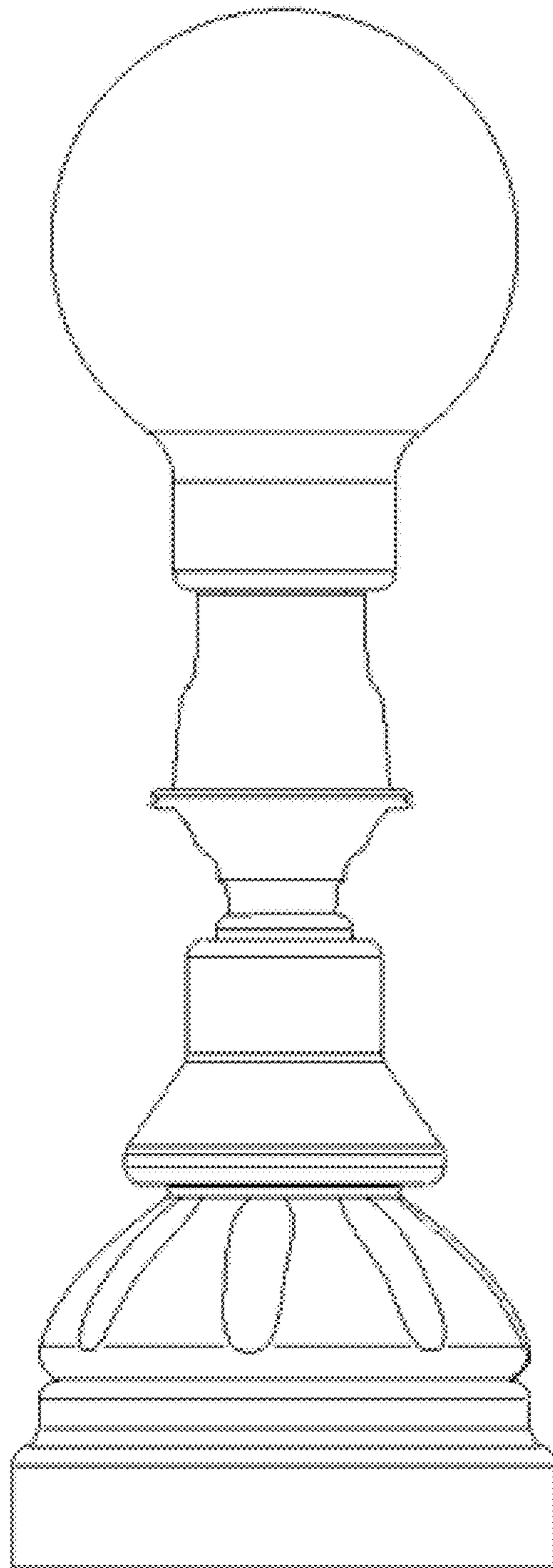


FIG. 6

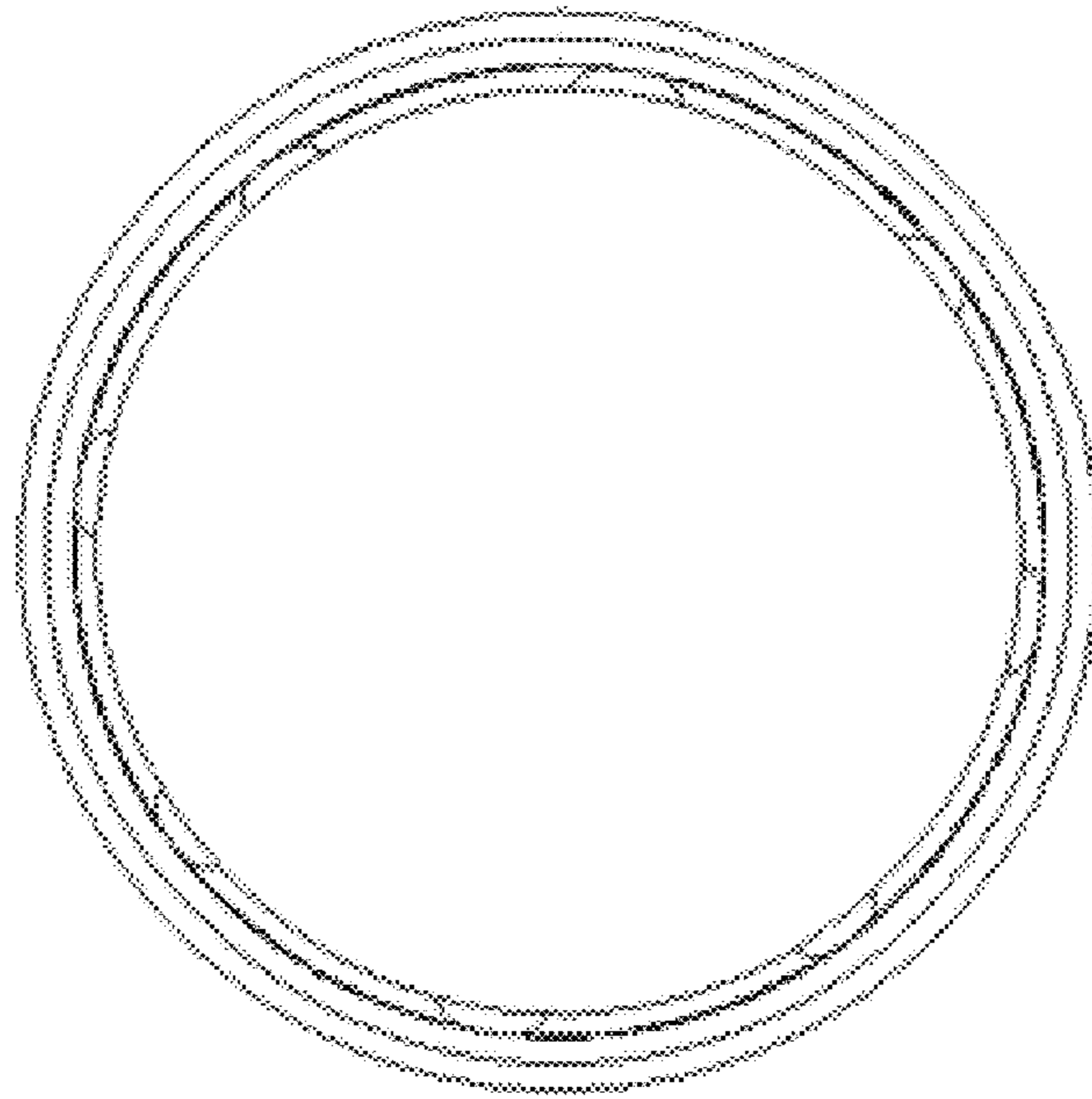


FIG. 7



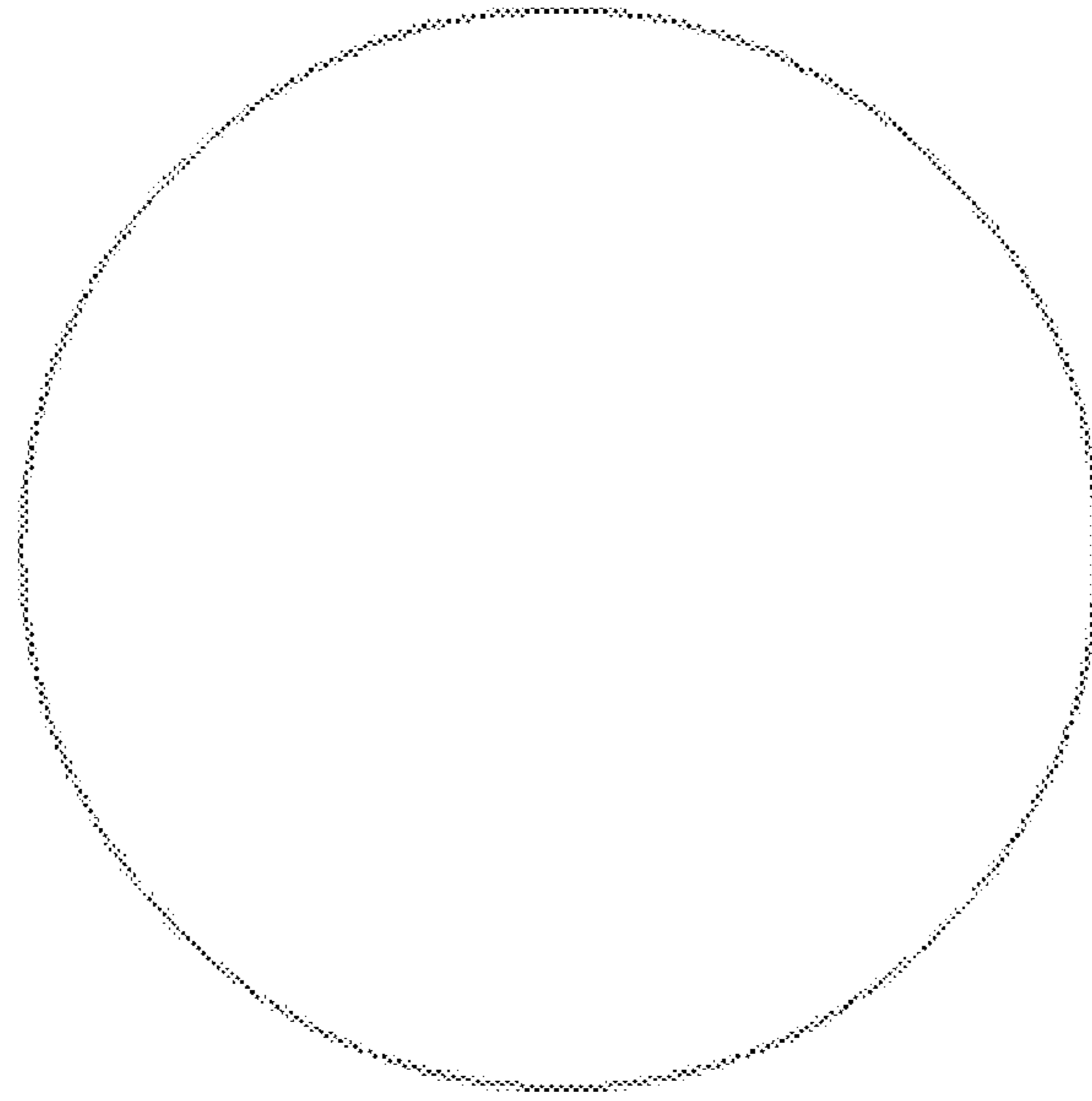


FIG. 8