



US00D863648S

(12) **United States Design Patent**  
**Amato et al.**

(10) **Patent No.:** **US D863,648 S**

(45) **Date of Patent:** **\*\* Oct. 15, 2019**

(54) **LIGHTING FIXTURE**

(71) Applicant: **The Urban Electric Company**, North Charleston, SC (US)

(72) Inventors: **Michael Amato**, London (GB); **David Dawson**, Charleston, SC (US); **Joeangel Casanova**, North Charleston, SC (US); **Christopher Roof**, Charleston, SC (US); **Brianna Magagnoli**, North Charleston, SC (US); **Janis Golubeckis**, Mount Pleasant, SC (US)

(73) Assignee: **The Urban Electric Company**, North Charleston, SC (US)

(\*\*) Term: **15 Years**

(21) Appl. No.: **29/659,194**

(22) Filed: **Aug. 7, 2018**

(51) **LOC (12) Cl.** ..... **26-03**

(52) **U.S. Cl.**  
USPC ..... **D26/87**

(58) **Field of Classification Search**  
USPC ..... D26/72, 85, 86, 87, 92, 81, 143, 144  
CPC .... F21S 8/03; F21S 8/033; F21S 8/036; F21S 8/037; F21S 9/037; F21V 1/04  
See application file for complete search history.

(56) **References Cited**

**U.S. PATENT DOCUMENTS**

D124,182 S	*	12/1940	McCann	.....	D26/87
D152,994 S	*	3/1949	McCann	.....	D26/87
D384,764 S	*	10/1997	Littman	.....	D26/76
D403,097 S	*	12/1998	Littman	.....	D26/87
D413,998 S	*	9/1999	Littman	.....	D26/76
D441,125 S	*	4/2001	Crosby	.....	D26/87
D442,317 S	*	5/2001	Crosby	.....	D26/87
D570,522 S	*	6/2008	Chandler	.....	D26/104

D570,524 S	*	6/2008	Chandler	.....	D26/87
D583,976 S	*	12/2008	Horn	.....	D26/72
D606,701 S	*	12/2009	Chandler	.....	D26/141
D608,489 S	*	1/2010	Chandler	.....	D26/87
D851,319 S	*	6/2019	Amato	.....	D26/87

**OTHER PUBLICATIONS**

Huntley, TH-1211, The Urban Electric Co Webpage, <https://www.urbanelectricco.com/huntley.html>.

Hedges, MA-1820, The Urban Electric Co Webpage, <https://www.urbanelectricco.com/hedges.html>.

\* cited by examiner

*Primary Examiner* — Clare E Heflin

(74) *Attorney, Agent, or Firm* — Jeffrey T. Stover; Haynsworth Sinkler Boyd, P.A.

(57) **CLAIM**

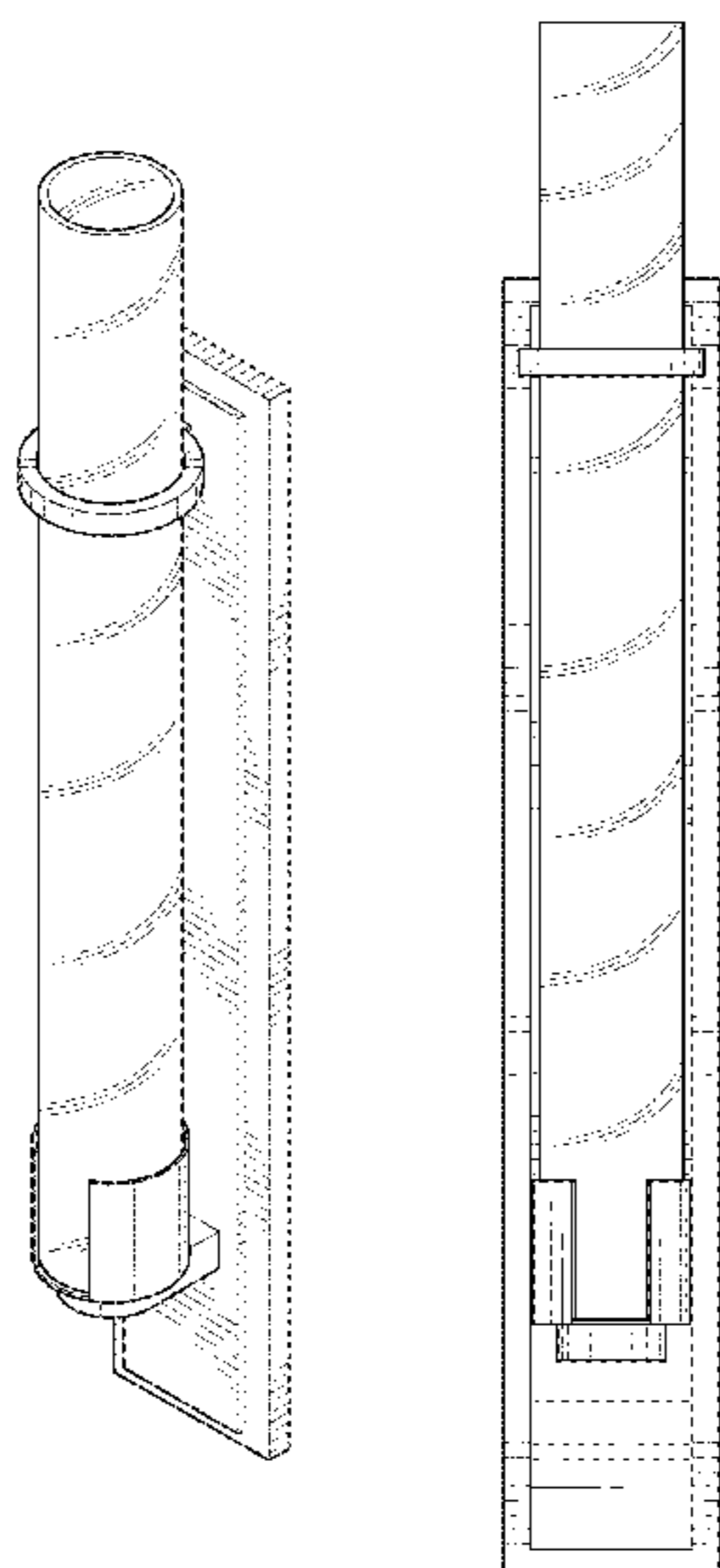
The ornamental design for a lighting fixture, as shown and described.

**DESCRIPTION**

FIG. 1 is a front perspective view of a lighting fixture depicting a new design;  
FIG. 2 is a back perspective view thereof;  
FIG. 3 is a front elevational view thereof;  
FIG. 4 is a left elevational view thereof;  
FIG. 5 is a right elevational view thereof;  
FIG. 6 is a top plan view thereof;  
FIG. 7 is a bottom plan view thereof; and,  
FIG. 8 is a back elevational view thereof.

The vertical broken lines in FIGS. 4 and 5 and the horizontal broken lines in FIGS. 6 and 7 represent environmental structure which forms no part of the claimed design. The remaining broken line disclosures in the views represent portions of the lighting fixture which form no part of the claimed design.

**1 Claim, 7 Drawing Sheets**



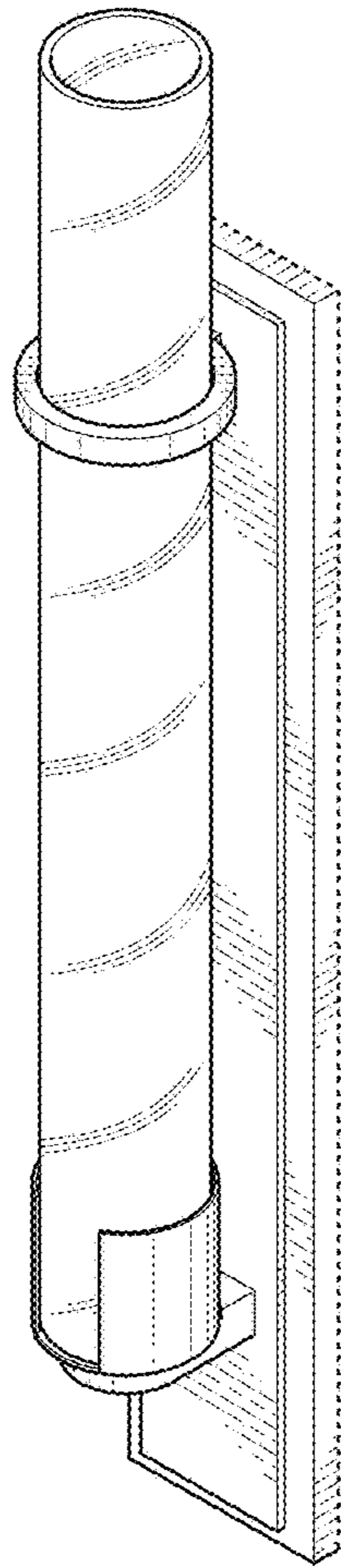


FIG. 1

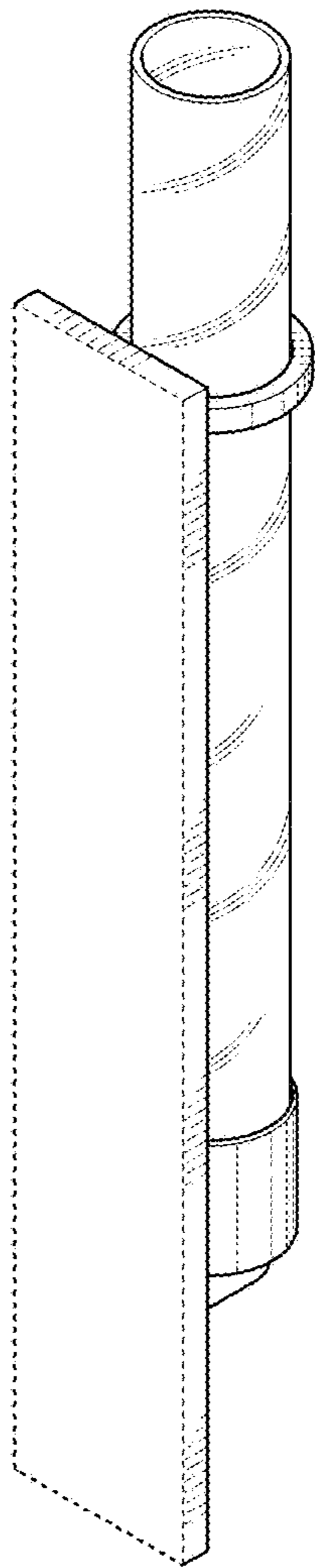


FIG. 2

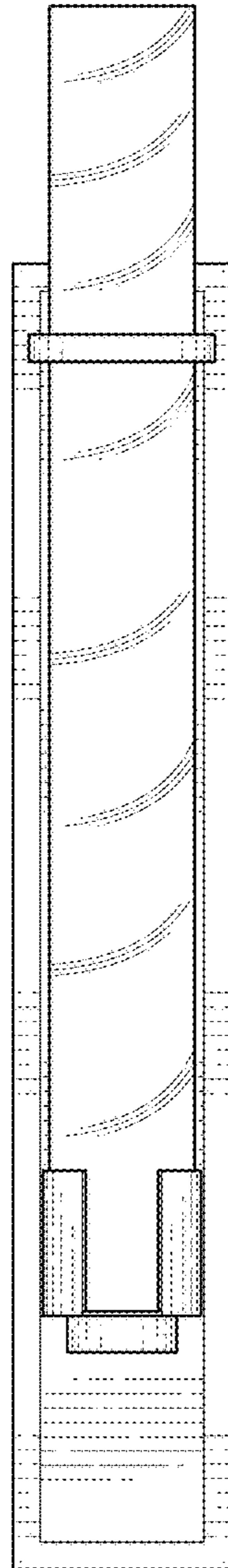


FIG. 3

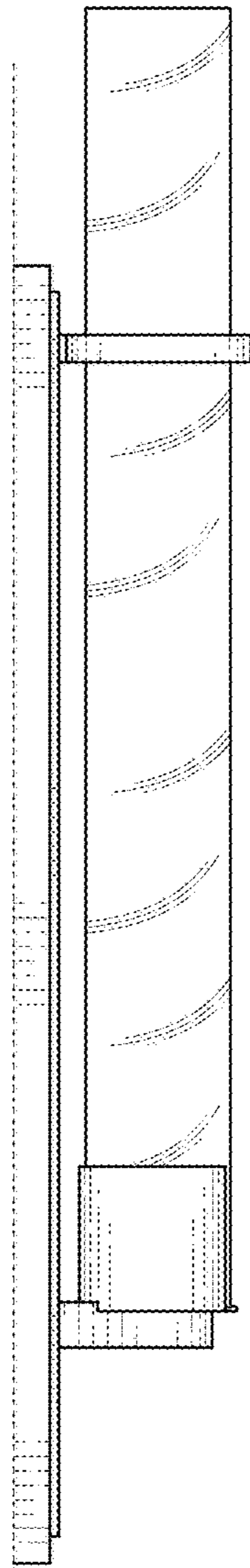


FIG. 4

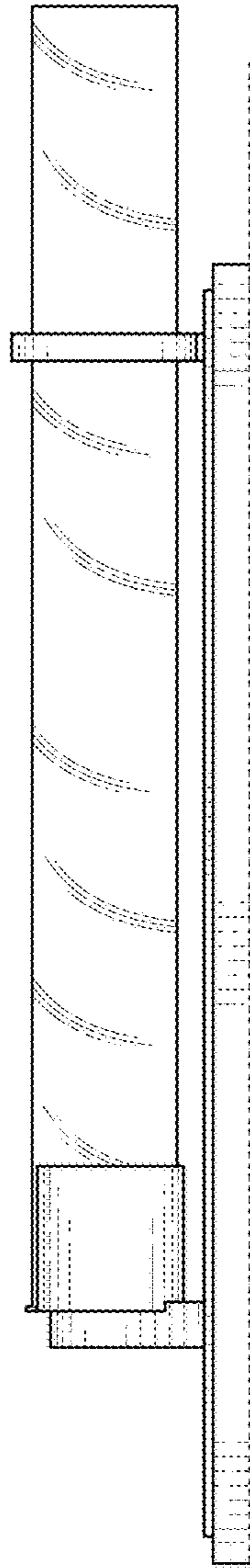


FIG. 5

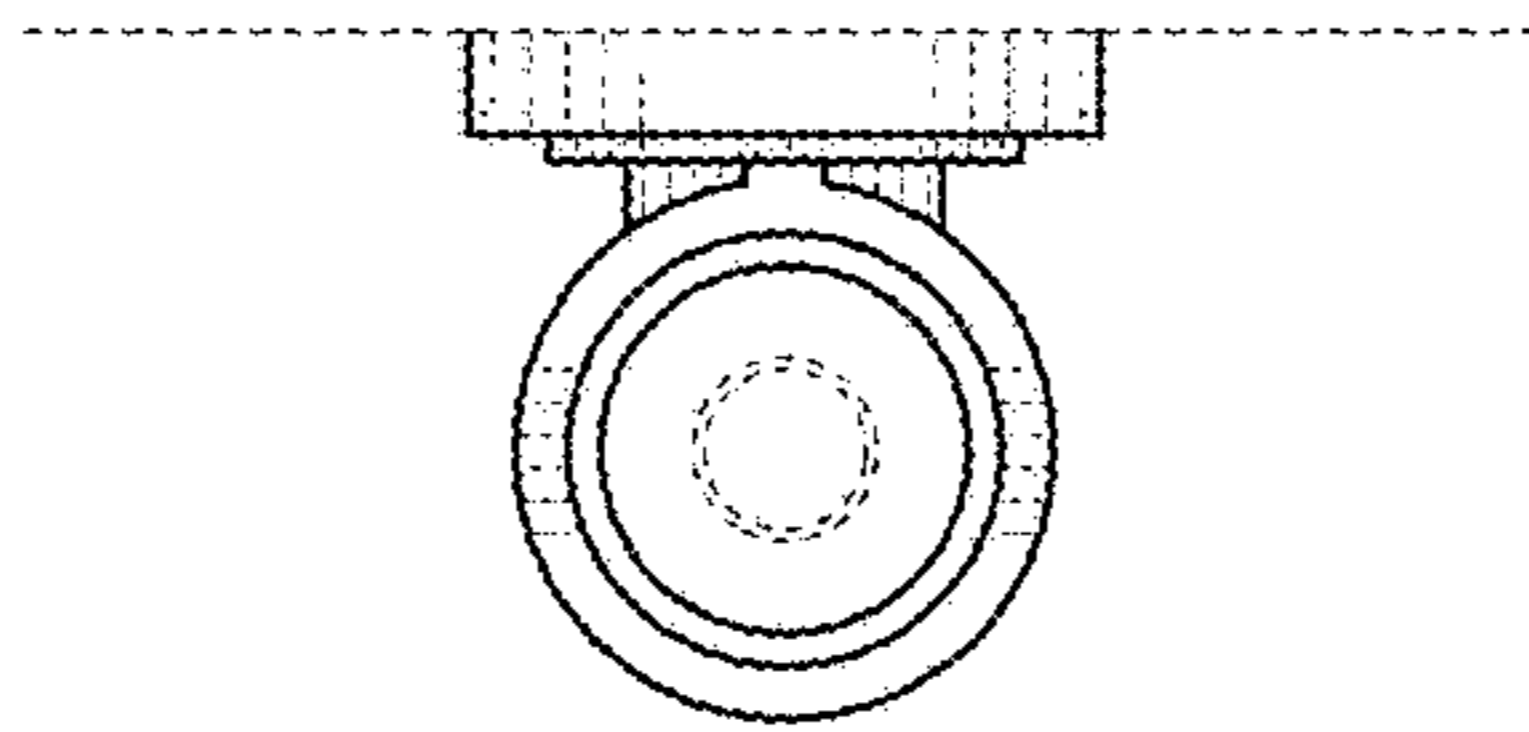


FIG. 6

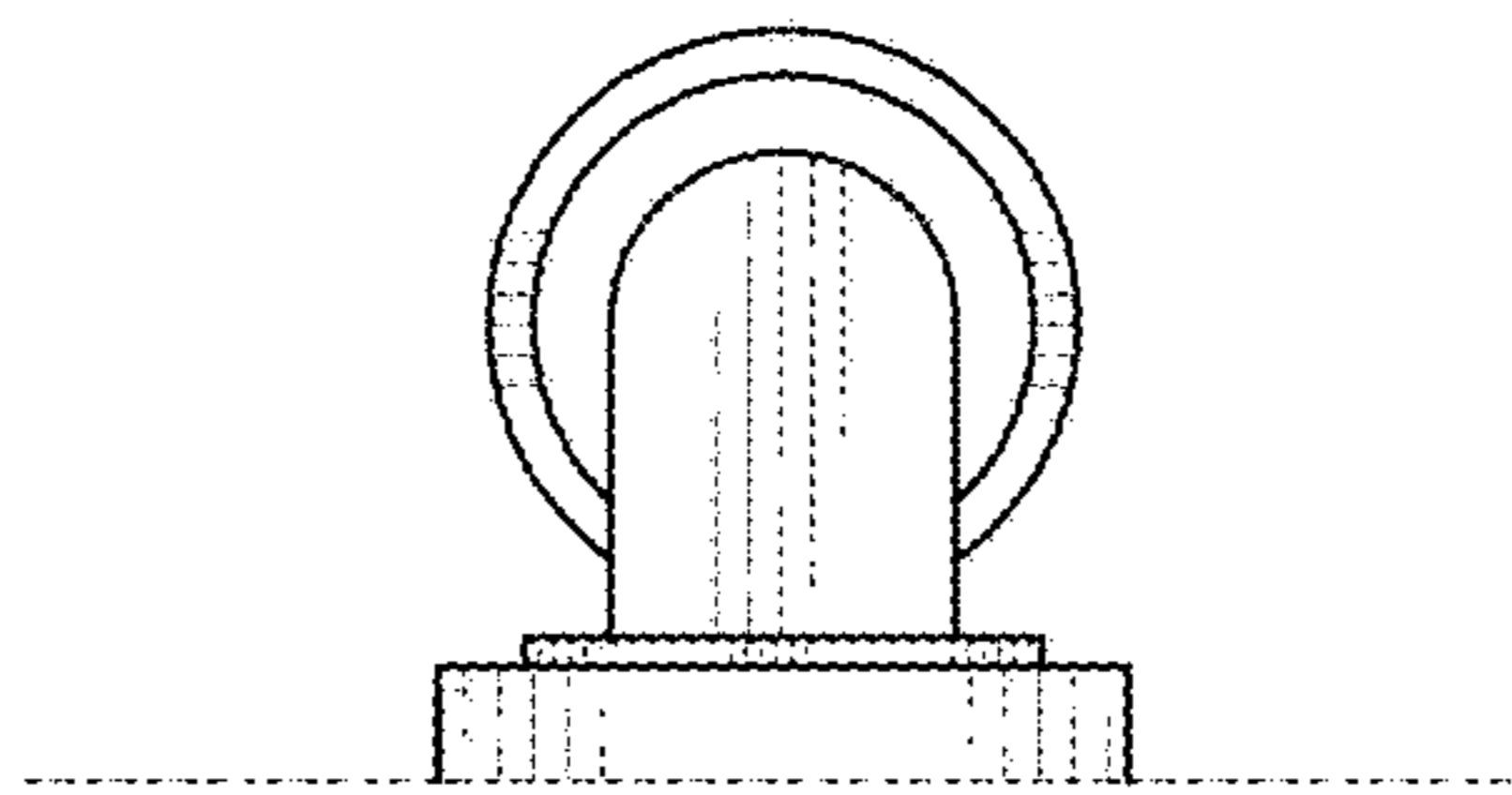


FIG. 7

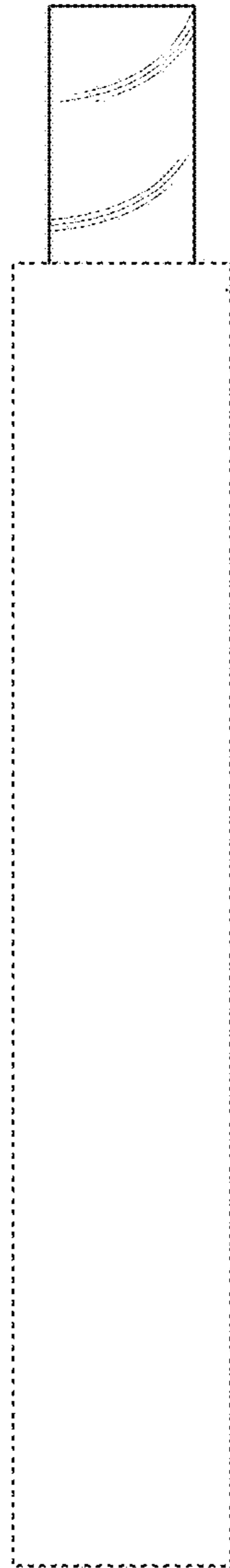


FIG. 8