



US00D863646S

(12) **United States Design Patent**
Tremaine et al.

(10) **Patent No.:** **US D863,646 S**
(45) **Date of Patent:** **** Oct. 15, 2019**

- (54) **CURVED LIGHTING FIXTURE**
- (71) Applicant: **QTran, Inc.**, Milford, CT (US)
- (72) Inventors: **John M. Tremaine**, New Canaan, CT (US); **Adrian R. Teschemaker**, West Haven, CT (US); **Irving M. Heredia**, New Britain, CT (US)
- (73) Assignee: **QTRAN, INC.**, Milford, CT (US)
- (**) Term: **15 Years**

- D313,858 S 1/1991 Whitney
- D329,299 S 9/1992 Cole
- D348,947 S 7/1994 Holcomb
- D462,601 S 9/2002 Chaney
- D520,667 S 5/2006 Jae-Sung
- D569,025 S 5/2008 Hakamada
- D569,027 S 5/2008 Hakamada
- D580,583 S 11/2008 Pfund
- D583,496 S 12/2008 Kuo
- D598,603 S 8/2009 Cunius
- D599,945 S 9/2009 Pfund
- D602,627 S 10/2009 Lasthein
- D603,548 S 11/2009 Pei
- D621,091 S * 8/2010 Klu D26/138

- (21) Appl. No.: **29/604,630**
- (22) Filed: **May 18, 2017**

Related U.S. Application Data

- (63) Continuation-in-part of application No. 15/353,659, filed on Nov. 16, 2016, now abandoned.
- (51) **LOC (12) Cl.** **26-04**
- (52) **U.S. Cl.**
USPC **D26/76**
- (58) **Field of Classification Search**
USPC D26/76, 78, 79, 80, 81, 82, 83, 85, 86, D26/88, 90, 93, 111, 113, 118, 119, 120, D26/121, 122, 138, 139, 140, 141, 142, D26/152
CPC F21S 2/00; F21S 4/00; F21S 4/003; F21S 4/005; F21S 4/006; F21S 4/007; F21S 4/008; F21S 6/00; F21S 8/00; F21S 8/024; F21S 8/026; F21S 8/031; F21S 8/033; F21S 8/035-8/037; F21S 8/04; F21S 8/043; F21S 8/063
See application file for complete search history.

- (56) **References Cited**
U.S. PATENT DOCUMENTS

D296,135 S 6/1988 Dreiling
D301,304 S 5/1989 Will

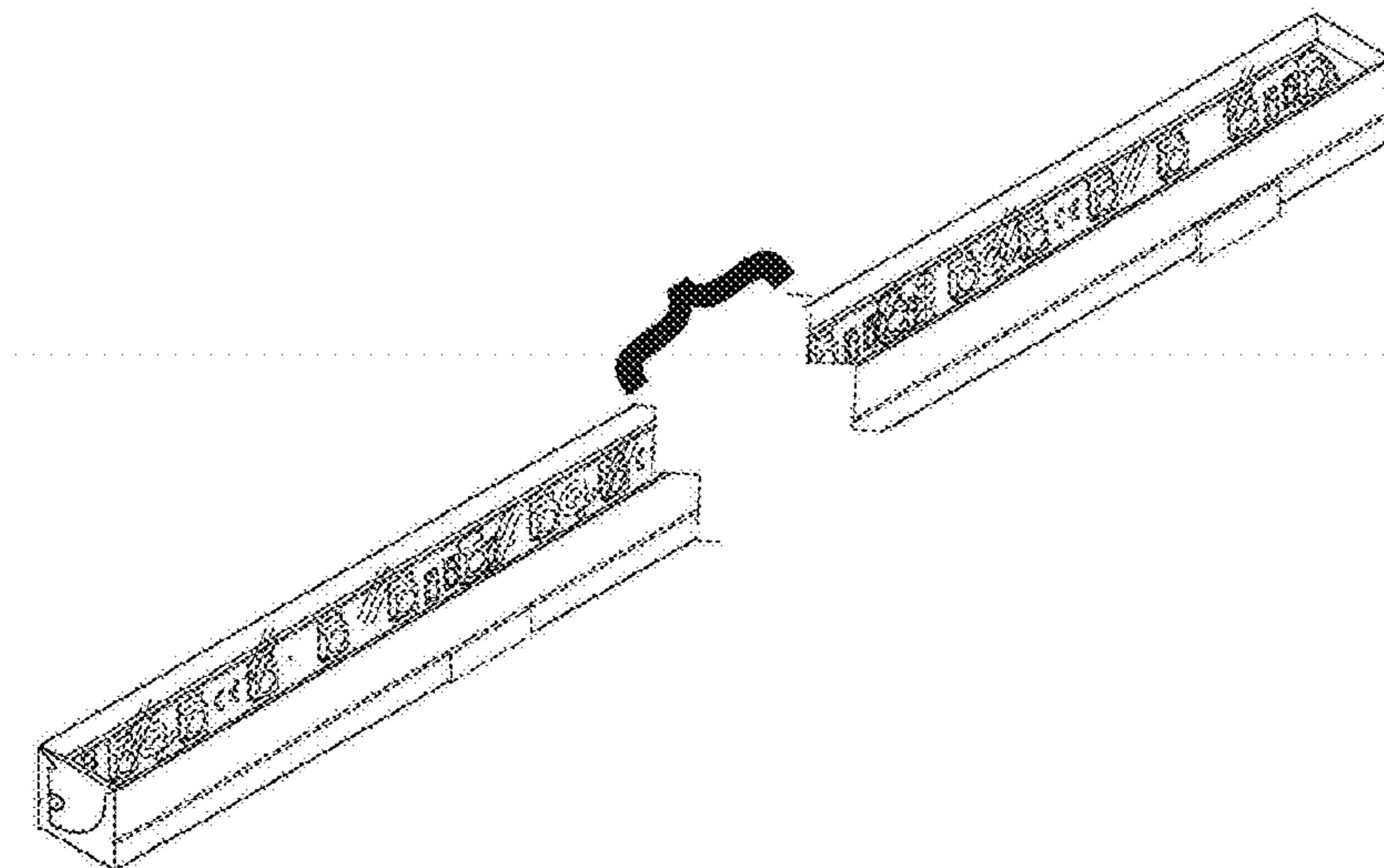
(Continued)
Primary Examiner — Natasha Vujcic
(74) *Attorney, Agent, or Firm* — Ware Fressola Maguire & Barber LLP

(57) **CLAIM**
The ornamental design for a curved lighting fixture, as shown and described.

DESCRIPTION

FIG. 1 is a top perspective view of a curved lighting fixture showing our new design;
FIG. 2 is a front elevational view thereof;
FIG. 3 is a rear elevational view thereof;
FIG. 4 is a top plan view thereof;
FIG. 5 is a bottom plan view thereof; and,
FIG. 6 is a top perspective view of an alternative exemplary curved lighting fixture showing our new design having a translucent filing.
The curved lighting fixture is shown with a symbolic break in its length. The appearance of any portion of the curved lighting fixture between the jagged break lines forms no part of the claimed design.
The broken lines in the drawings illustrate portions of the curved lighting fixture which form no part of the claimed design.

1 Claim, 6 Drawing Sheets



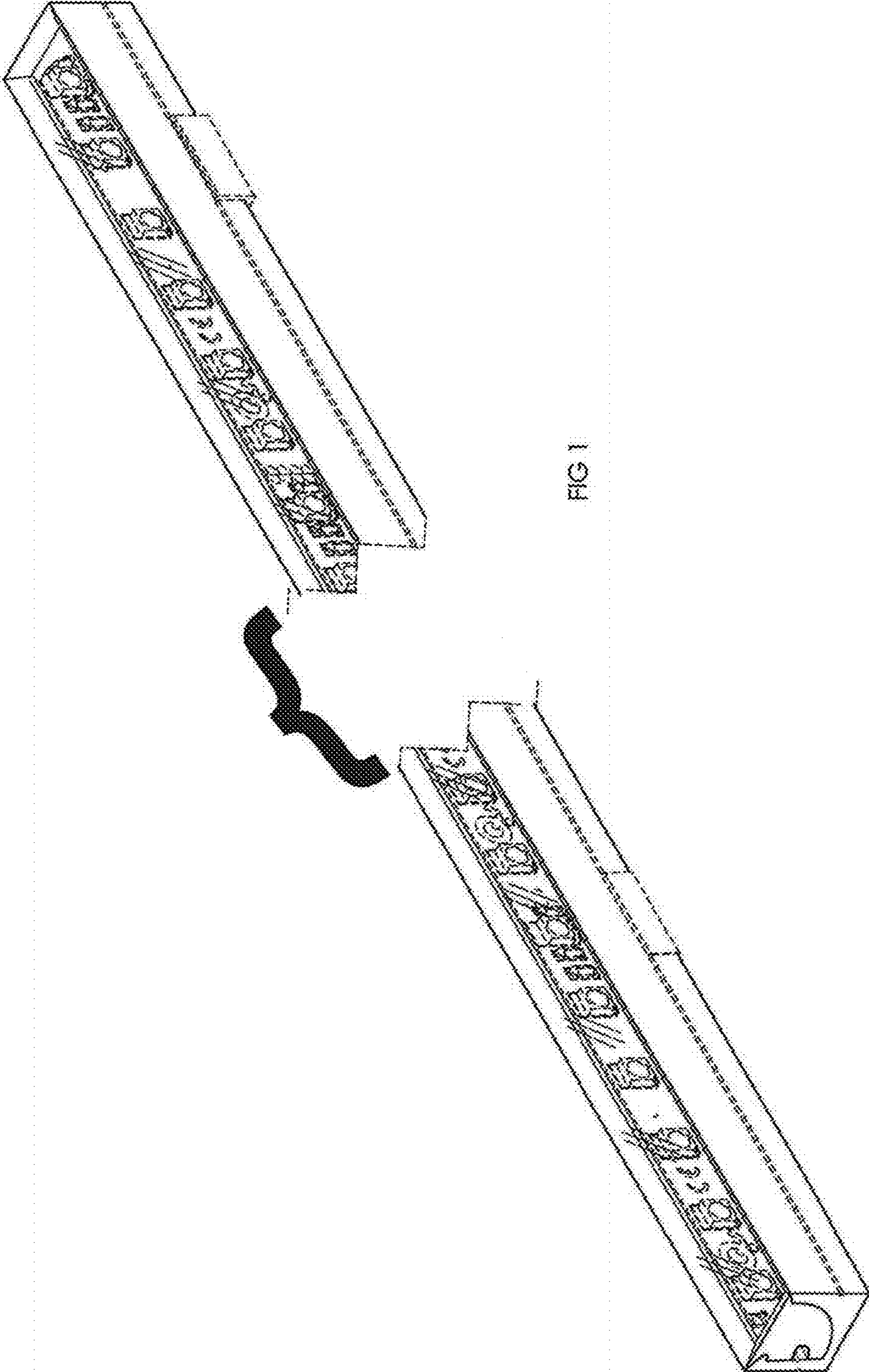
(56)

References Cited

U.S. PATENT DOCUMENTS

D624,229 S	9/2010	Adolph	
D628,715 S	12/2010	Gosling	
D649,680 S	11/2011	Trzesniowski	
D649,682 S *	11/2011	Trzesniowski	D26/138
D649,683 S *	11/2011	Trzesniowski	D26/138
D649,691 S *	11/2011	Trzesniowski	D26/138
D649,692 S *	11/2011	Trzesniowski	D26/138
D651,739 S *	1/2012	Trzesniowski	D26/138
D659,854 S	5/2012	Kligman	
D662,653 S *	6/2012	Hochman	D26/138
D690,452 S	9/2013	Payne	
D695,443 S	12/2013	Kaule	
D695,955 S *	12/2013	Klus	D26/138
D696,814 S *	12/2013	Matus, Jr.	D26/138
D731,704 S *	6/2015	Klus	D26/138
D747,539 S	1/2016	Santoro	
D766,487 S	9/2016	Cai	
D774,682 S	12/2016	Chen	
D779,713 S	2/2017	Sonneman	
D785,229 S	4/2017	Noh	
D787,107 S	5/2017	Burmeister	
D798,471 S *	9/2017	Tremaine	D25/119
D799,065 S *	10/2017	Tremaine	D25/119
D805,235 S	12/2017	Waldmann	
D807,572 S *	1/2018	Klus	D26/138
D810,962 S	2/2018	McGowan	
D813,443 S	3/2018	Matteson	
D818,187 S *	5/2018	Trzesniowski	D26/138
10,174,889 B2	1/2019	Zhang	
2003/0136067 A1	7/2003	Talbacka	
2010/0214770 A1	8/2010	Anderson	
2011/0289876 A1	12/2011	Landers	
2012/0218757 A1	8/2012	Gill	
2013/0145704 A1	6/2013	Stein, Jr.	
2016/0238191 A1	8/2016	Tremaine	
2018/0202643 A1	7/2018	Wang	
2018/0306413 A1 *	10/2018	Tremaine	F21V 15/012

* cited by examiner



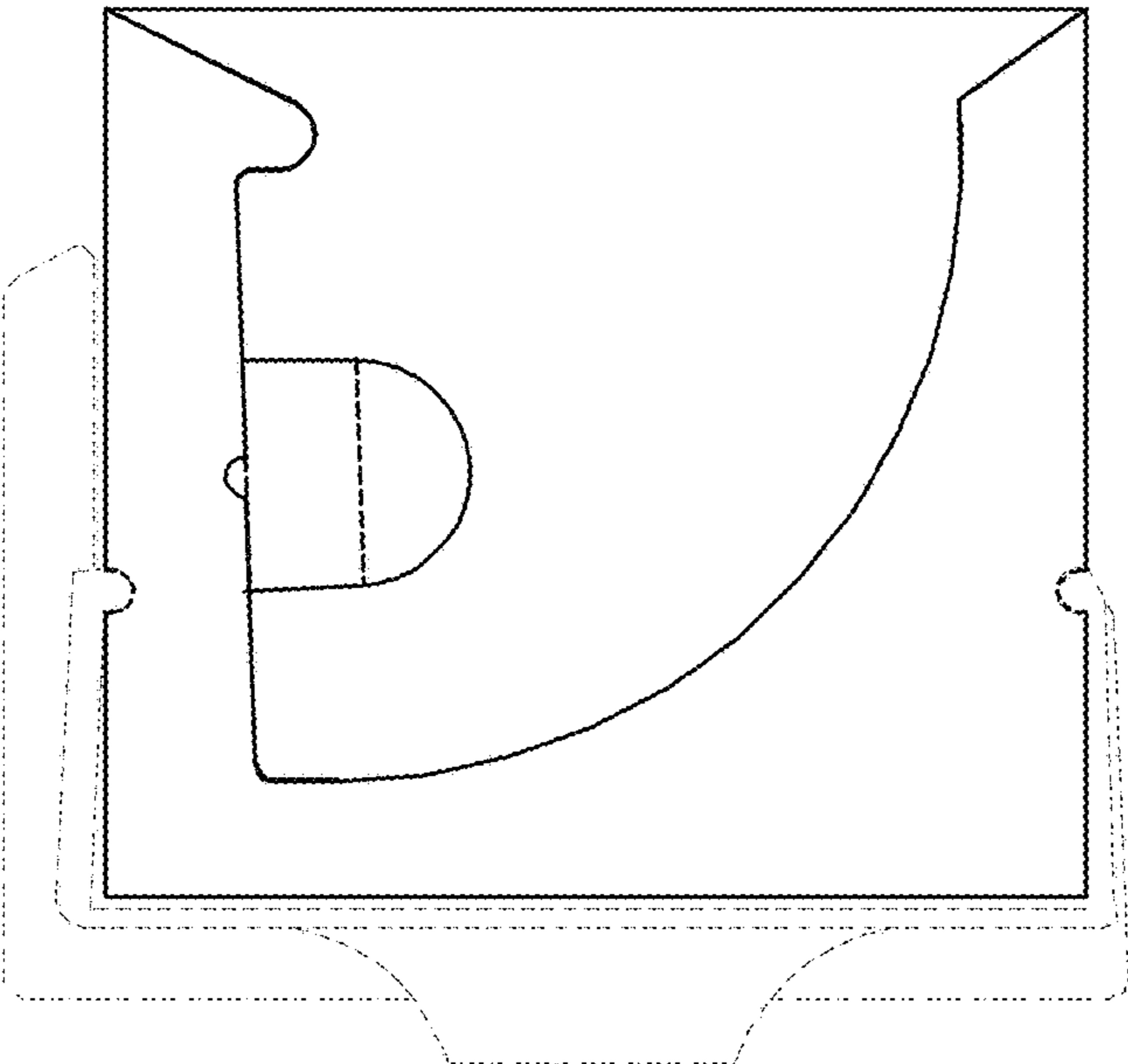


FIG 2

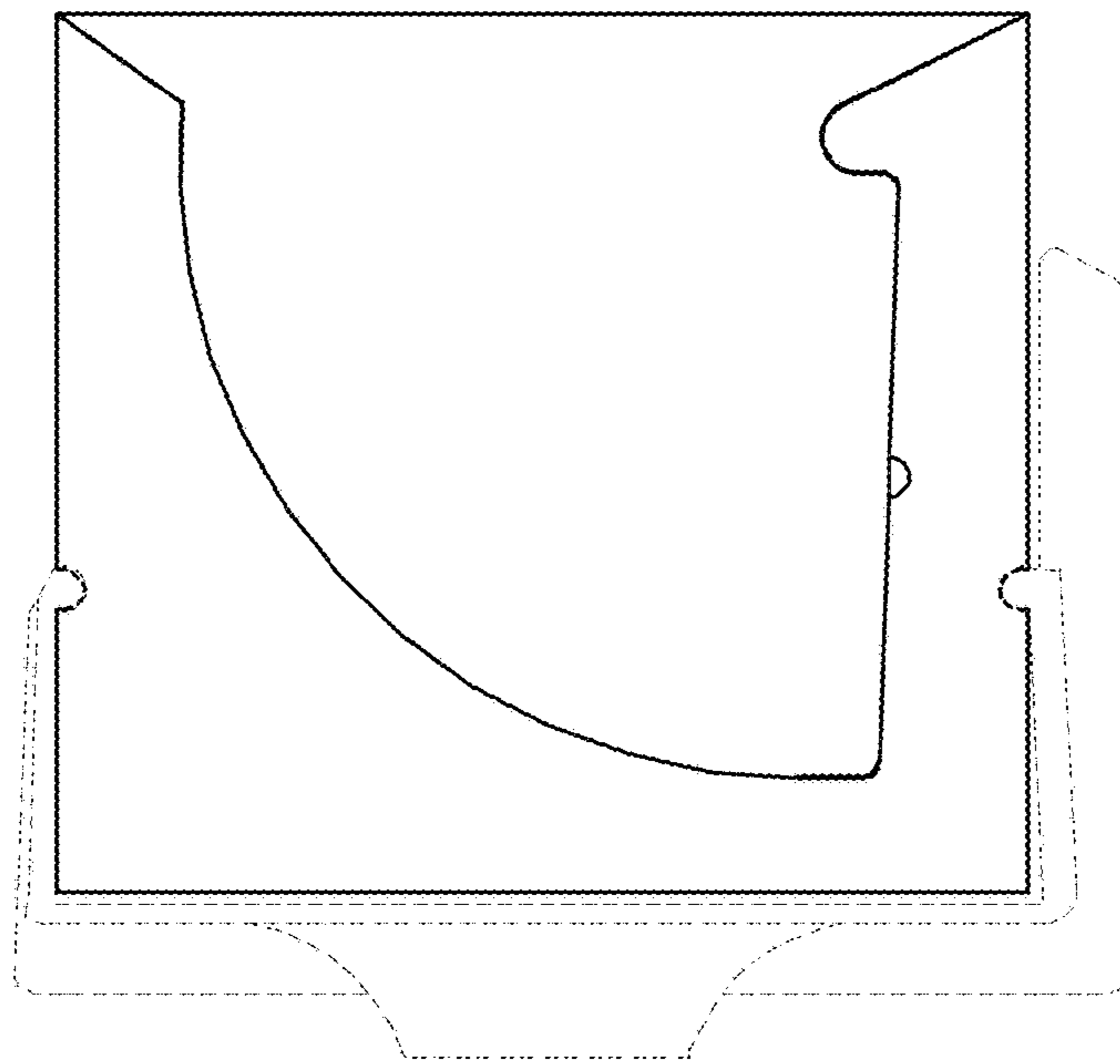


FIG 3

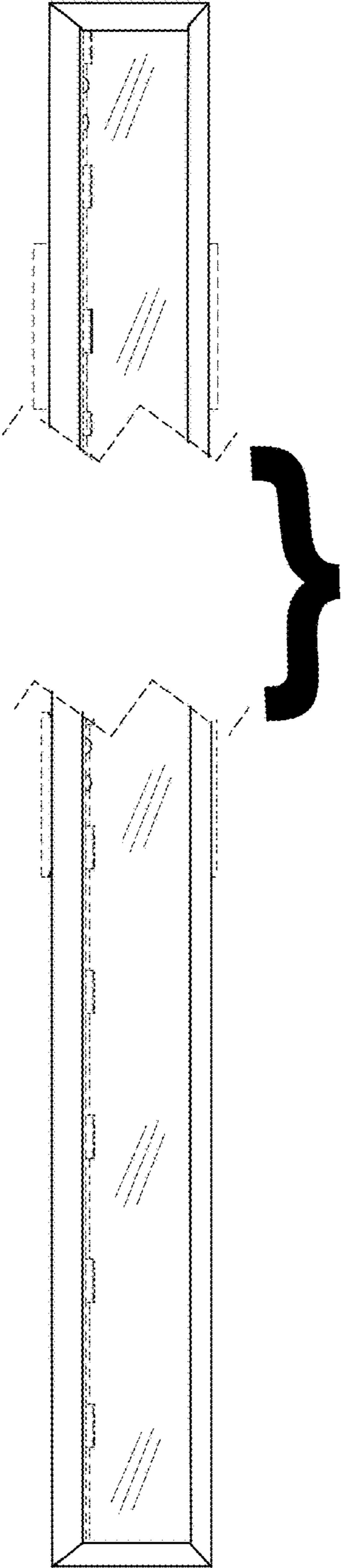


FIG 4

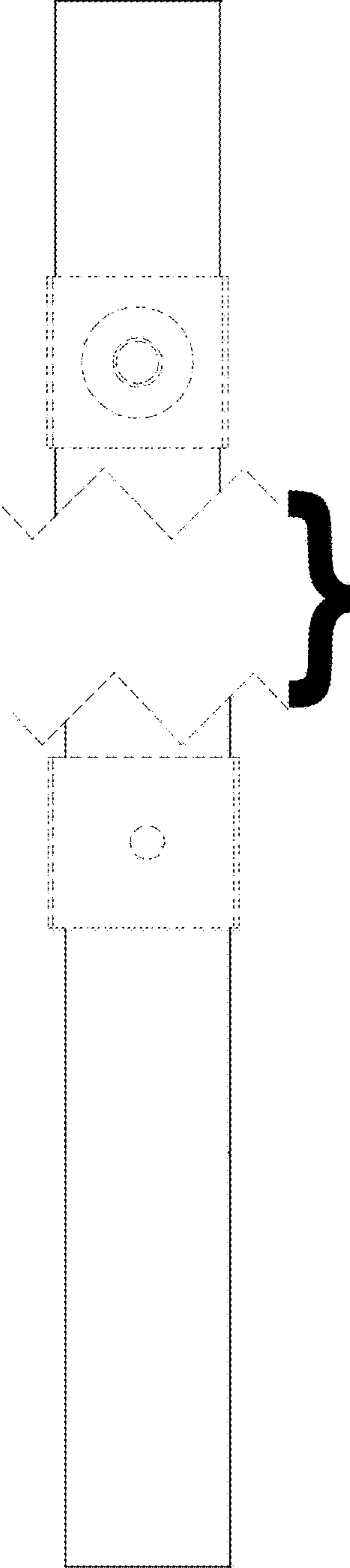


FIG 5

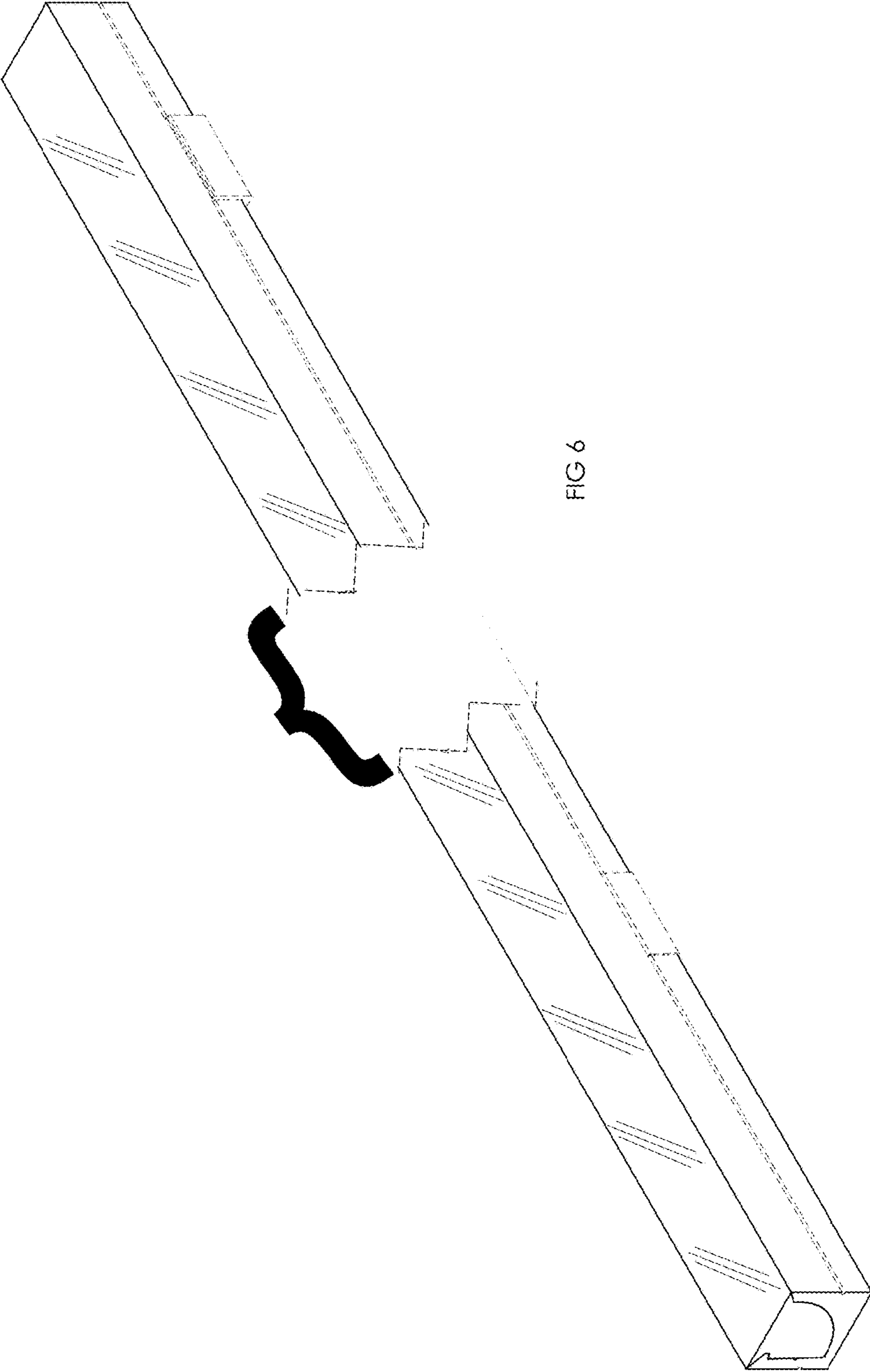


FIG 6