



US00D863644S

(12) **United States Design Patent**  
**Gibson et al.**

(10) **Patent No.:** **US D863,644 S**

(45) **Date of Patent:** **\*\* Oct. 15, 2019**

- (54) **SIDE MOUNT LIGHT FIXTURE**
- (71) Applicant: **ABL IP Holding LLC**, Atlanta, GA (US)
- (72) Inventors: **Jon Eric Gibson**, Covington, GA (US); **Adam Pate**, Chamblee, GA (US); **Eric Fickas**, Plain City, OH (US); **Mark Mnich**, Westerville, OH (US)
- (73) Assignee: **ABL IP Holding LLC**, Atlanta, GA (US)
- (\*\*) Term: **15 Years**
- (21) Appl. No.: **29/643,734**
- (22) Filed: **Apr. 11, 2018**
- (51) **LOC (12) Cl.** ..... **26-05**
- (52) **U.S. Cl.**  
USPC ..... **D26/71**
- (58) **Field of Classification Search**  
USPC ..... D26/67-71, 92, 118  
CPC .... F21S 8/033; F21S 8/036; F21S 8/08; F21S 8/081; F21S 8/085; F21S 8/086; F21S 6/003; F21W 2131/1005; F21W 2131/103; F21W 2131/107; F21W 2131/109  
See application file for complete search history.

(56) **References Cited**

**U.S. PATENT DOCUMENTS**

D266,958 S *	11/1982	Gernhardt	.....	D26/92
D321,406 S *	11/1991	Schlesselman	.....	D26/24
D405,206 S *	2/1999	Taylor	.....	D26/67
D451,227 S *	11/2001	Orellana	.....	D26/67
D592,342 S *	5/2009	Kinnune	.....	D26/67
D599,496 S *	9/2009	Lodhie	.....	D26/67
D599,935 S *	9/2009	van Klinken	.....	F21S 8/086 D26/67
D656,659 S *	3/2012	Kong	.....	D26/113
D657,485 S *	4/2012	Kong	.....	D26/71

D665,526 S *	8/2012	Kong	.....	D26/113
D678,580 S *	3/2013	Rizzi	.....	D26/71
D711,034 S *	8/2014	Sturgis	.....	D26/71
D755,431 S *	5/2016	Chen	.....	D26/67
D823,517 S *	7/2018	Ladewig	.....	F21S 8/086 D26/71
D853,615 S	7/2019	Ahrari, et al.		
2004/0095773 A1 *	5/2004	Gaskins	.....	F21V 21/116 362/370

(Continued)

*Primary Examiner* — Clare E Heflin

(74) *Attorney, Agent, or Firm* — Kilpatrick Townsend & Stockton LLP

(57) **CLAIM**

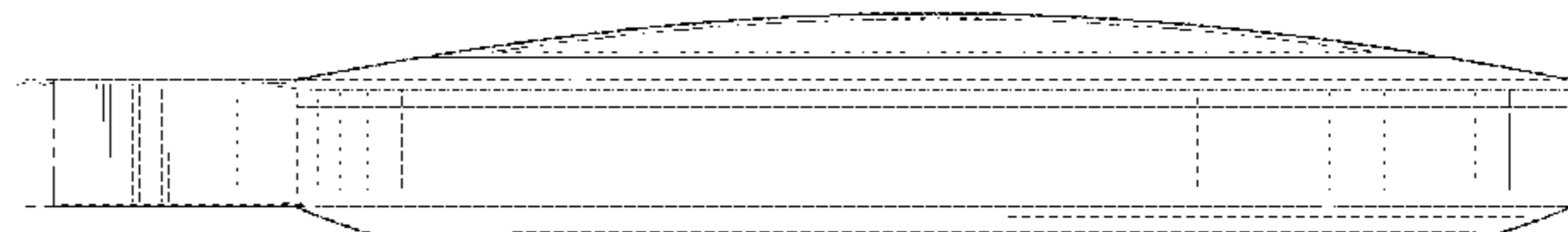
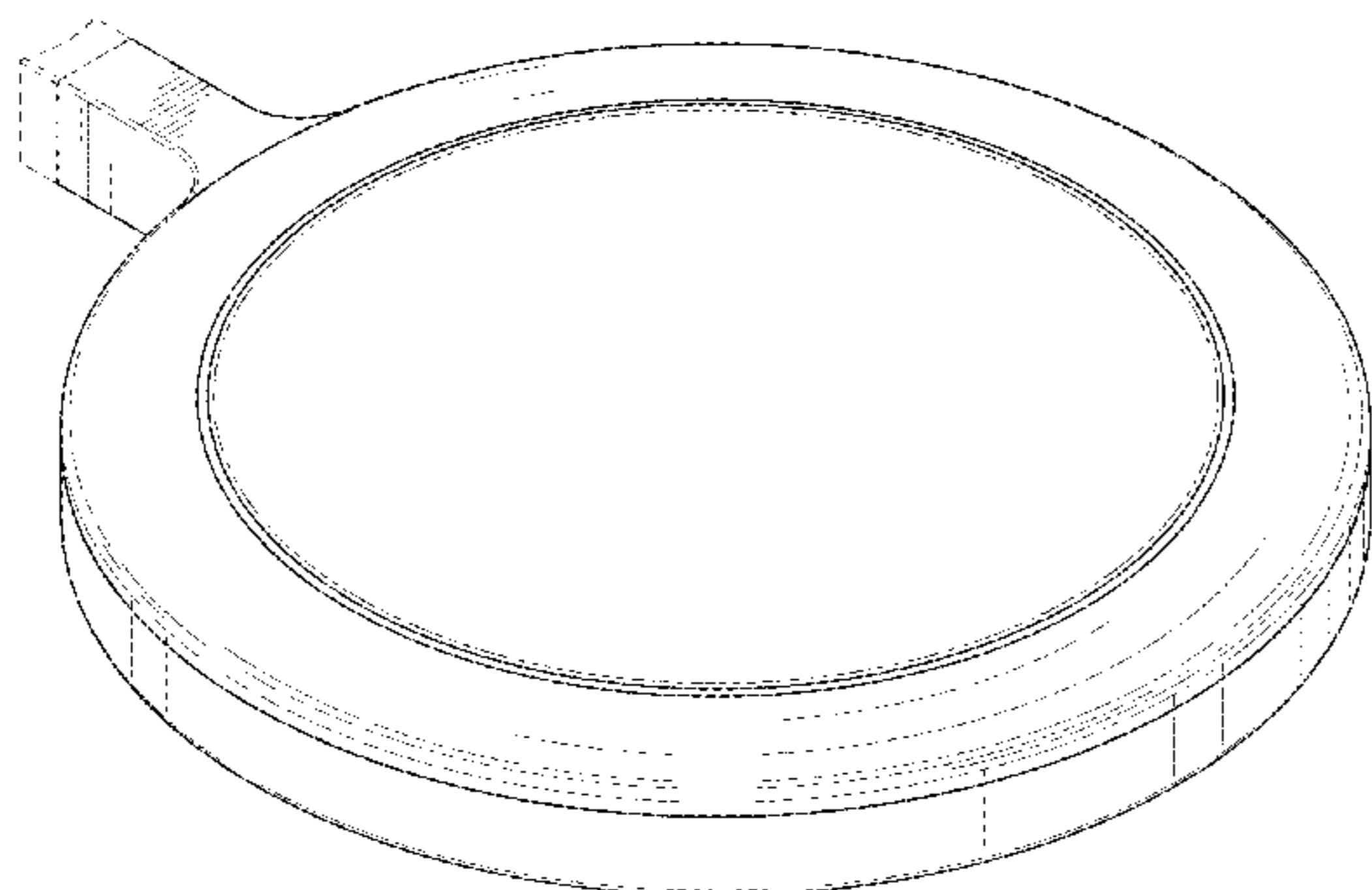
The ornamental design for a side mount light fixture, as shown and described.

**DESCRIPTION**

FIG. 1 is a top perspective view of a side mount light fixture. FIG. 2 is a bottom perspective view of the side mount light fixture of FIG. 1. FIG. 3 is a right side view of the side mount light fixture of FIG. 1. FIG. 4 is a front view of the side mount light fixture of FIG. 1. FIG. 5 is a left side view of the side mount light fixture of FIG. 1. FIG. 6 is a rear view of the side mount light fixture of FIG. 1. FIG. 7 is a top view of the side mount light fixture of FIG. 1; and, FIG. 8 is a bottom view of the side mount light fixture of FIG. 1.

The details shown in broken lines are for illustrative purposes only and form no part of the claimed design. The dash-dot-dot-dash broken lines represent boundaries of unclaimed portions of the claimed design and form no part of the claimed design.

**1 Claim, 6 Drawing Sheets**



(56)

**References Cited**

U.S. PATENT DOCUMENTS

2009/0086491	A1 *	4/2009	Ruud .....	F21S 8/086 362/294
2011/0222284	A1 *	9/2011	Kong .....	F21S 8/086 362/249.02
2012/0057340	A1 *	3/2012	Rami .....	F21S 8/086 362/231

\* cited by examiner

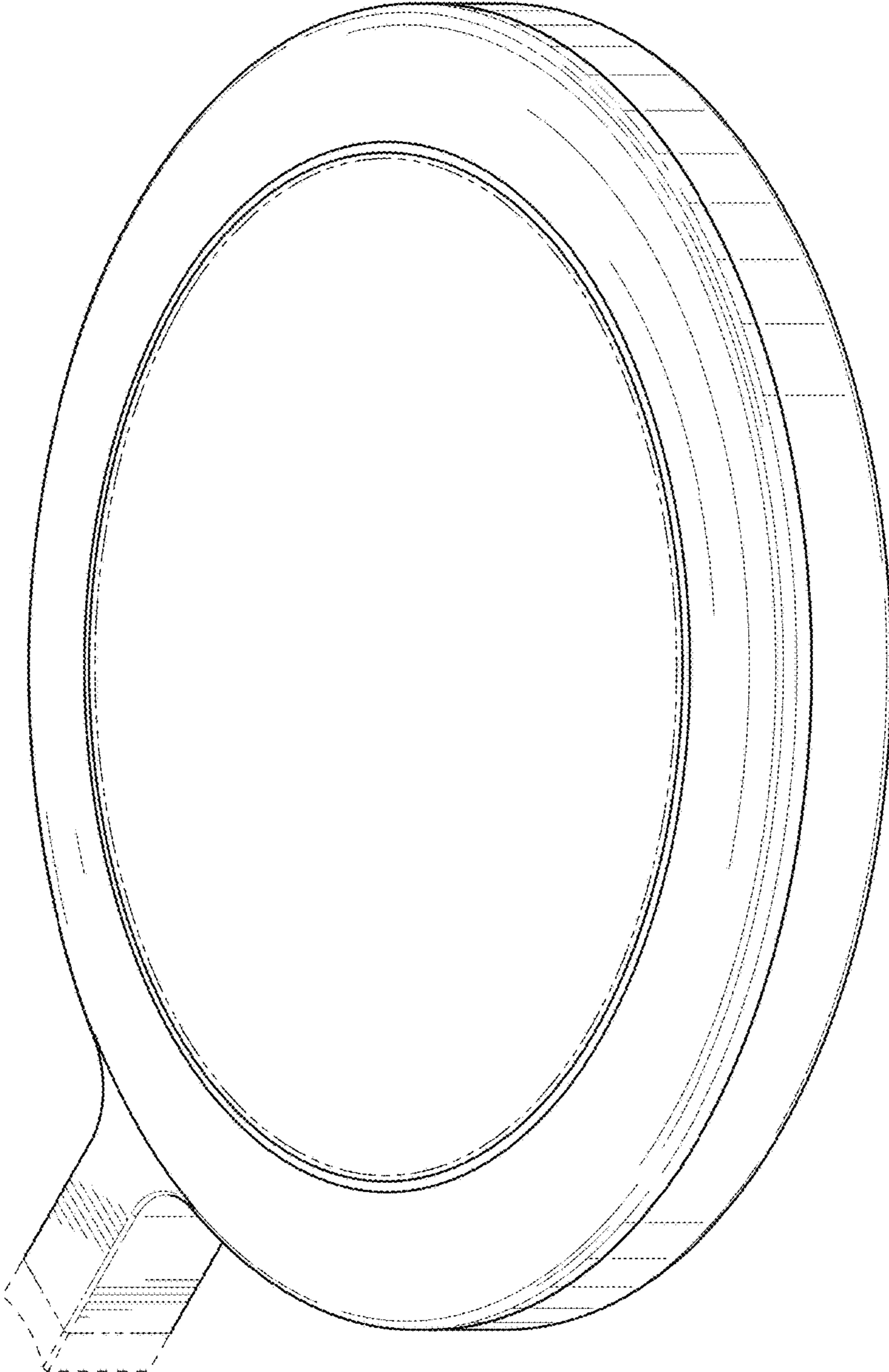


FIG. 1

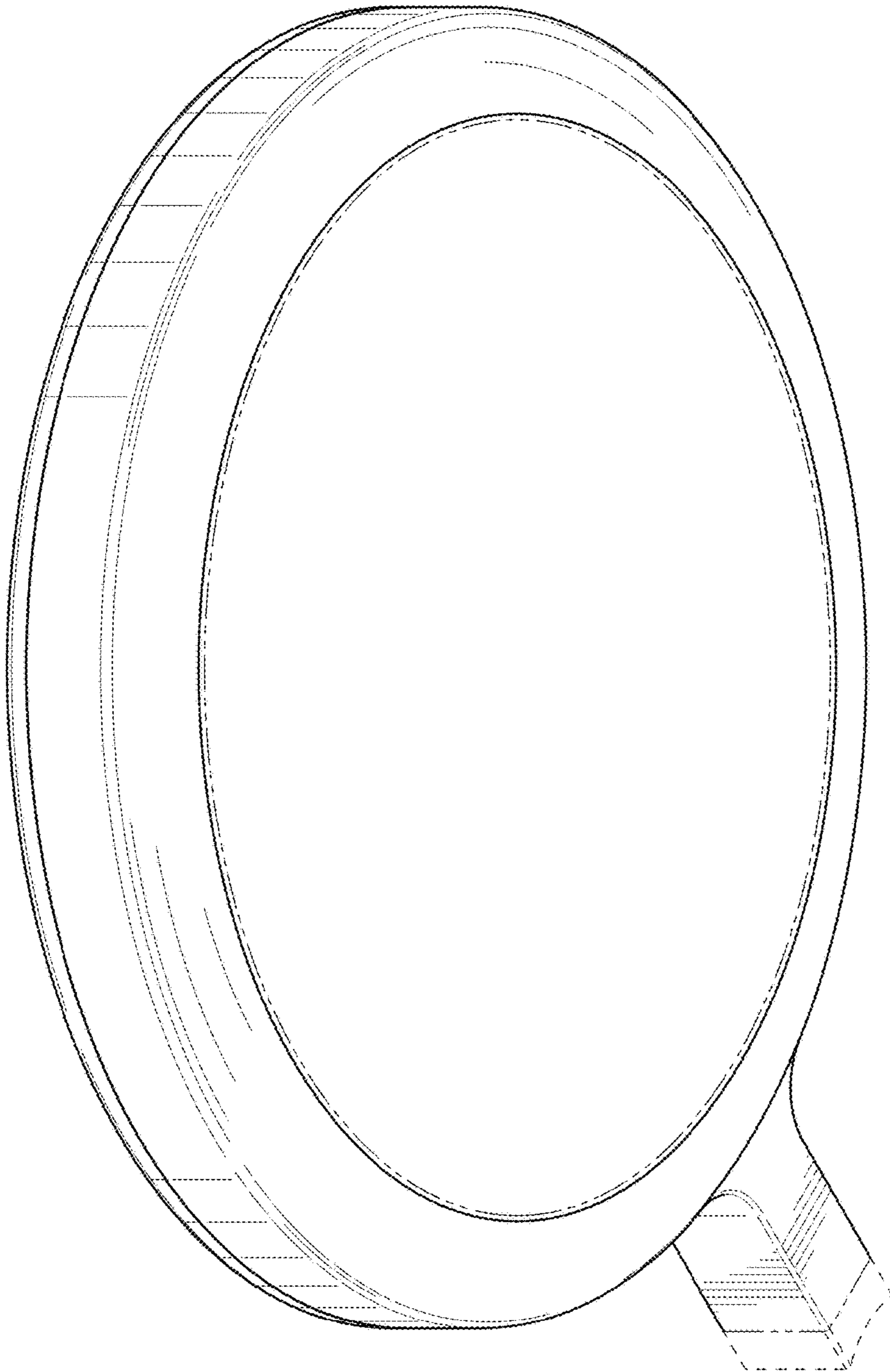


FIG. 2

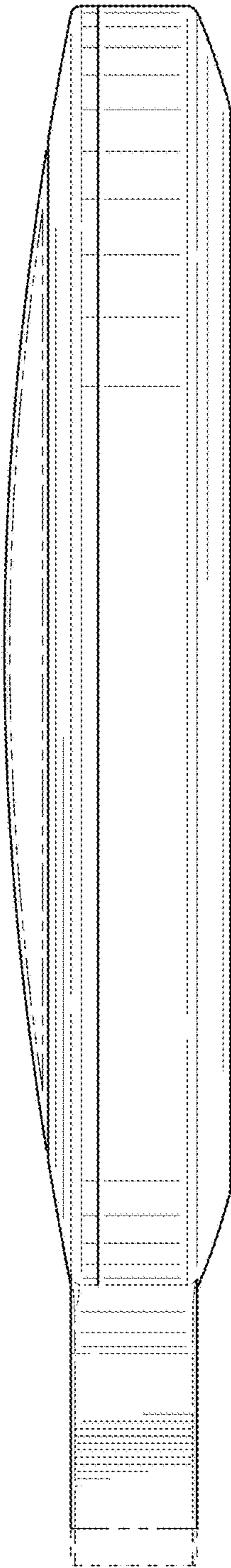


FIG. 3

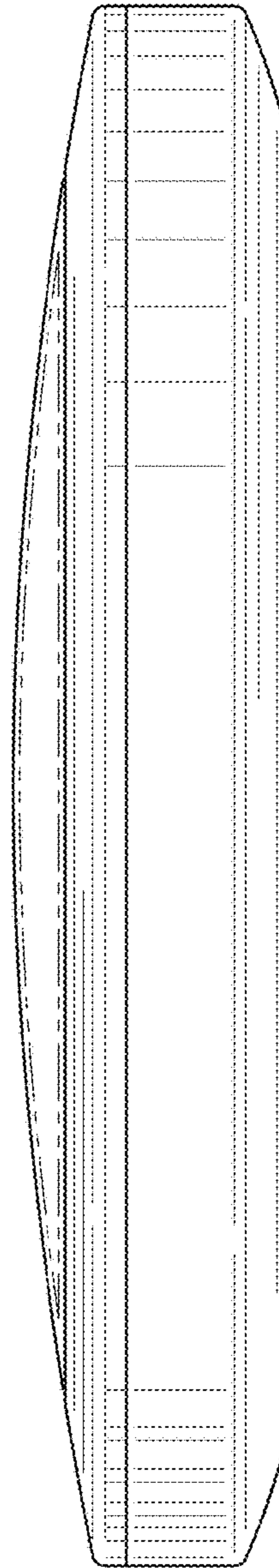


FIG. 4



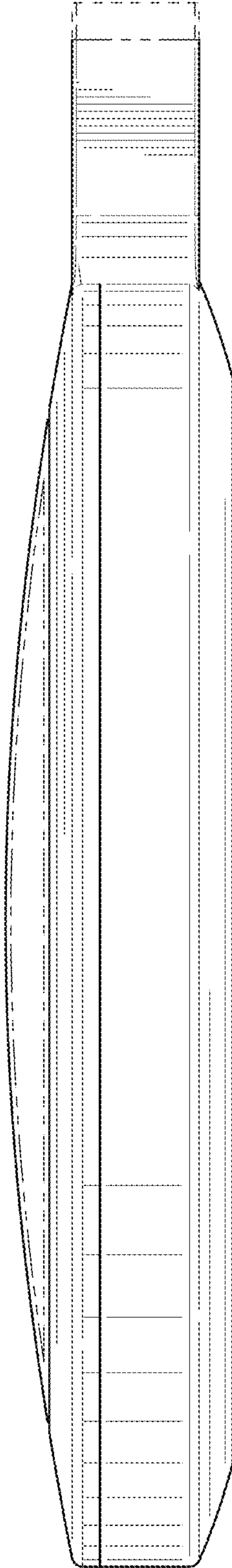


FIG. 5

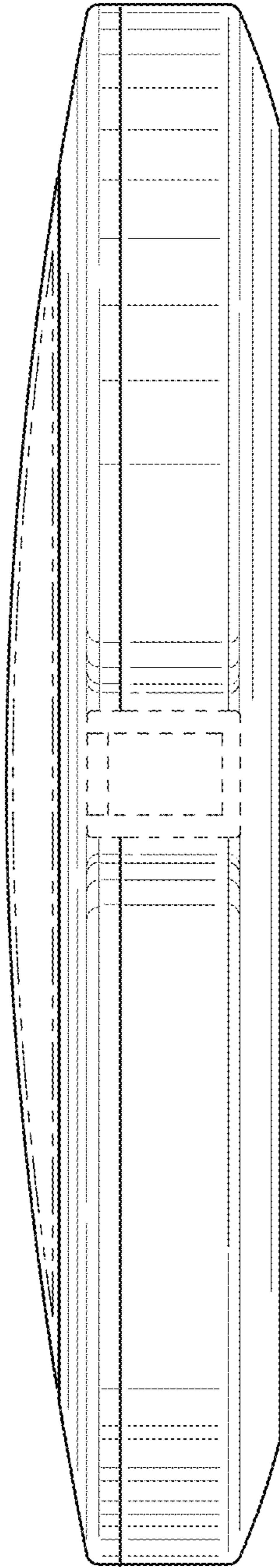


FIG. 6

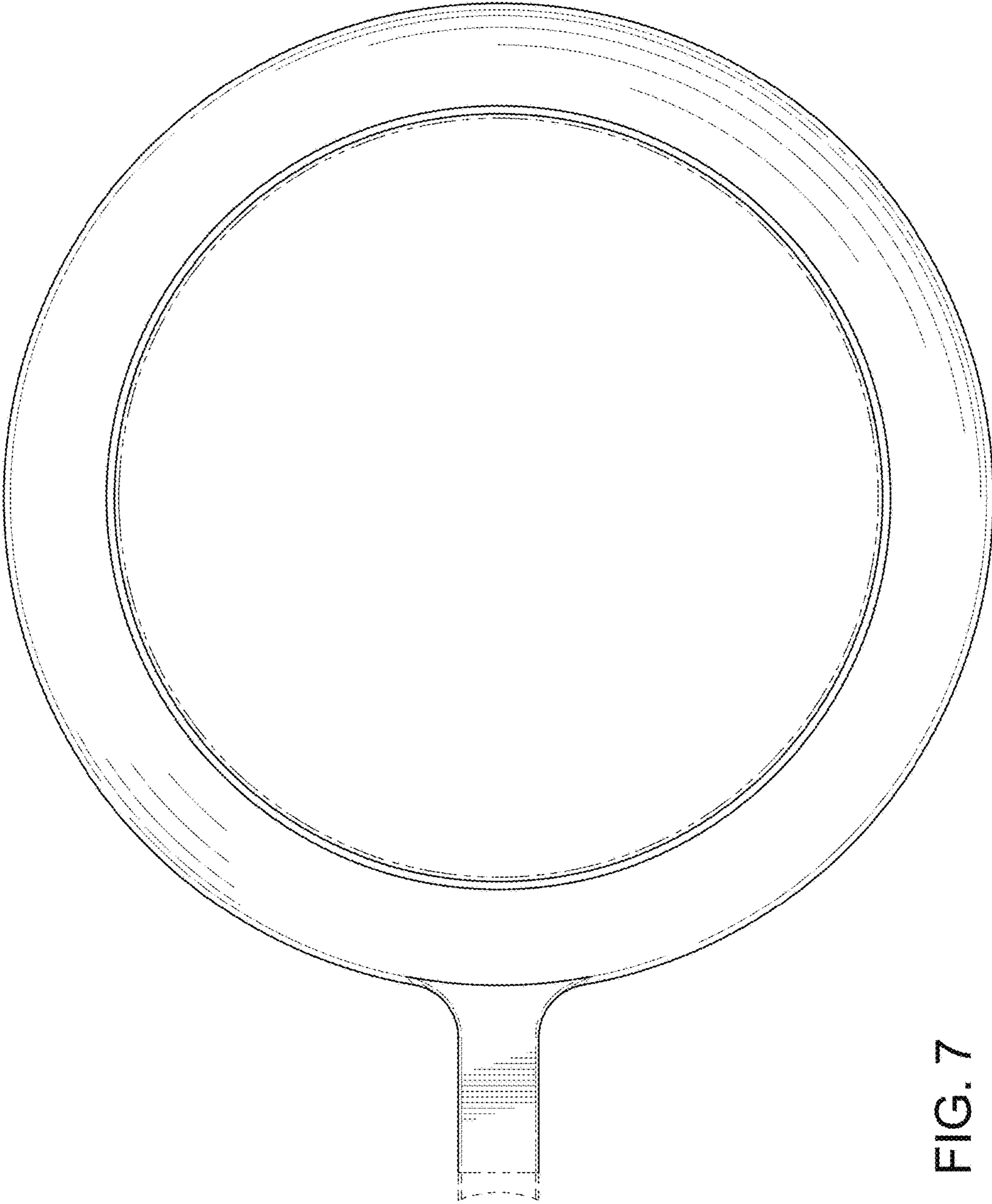


FIG. 7

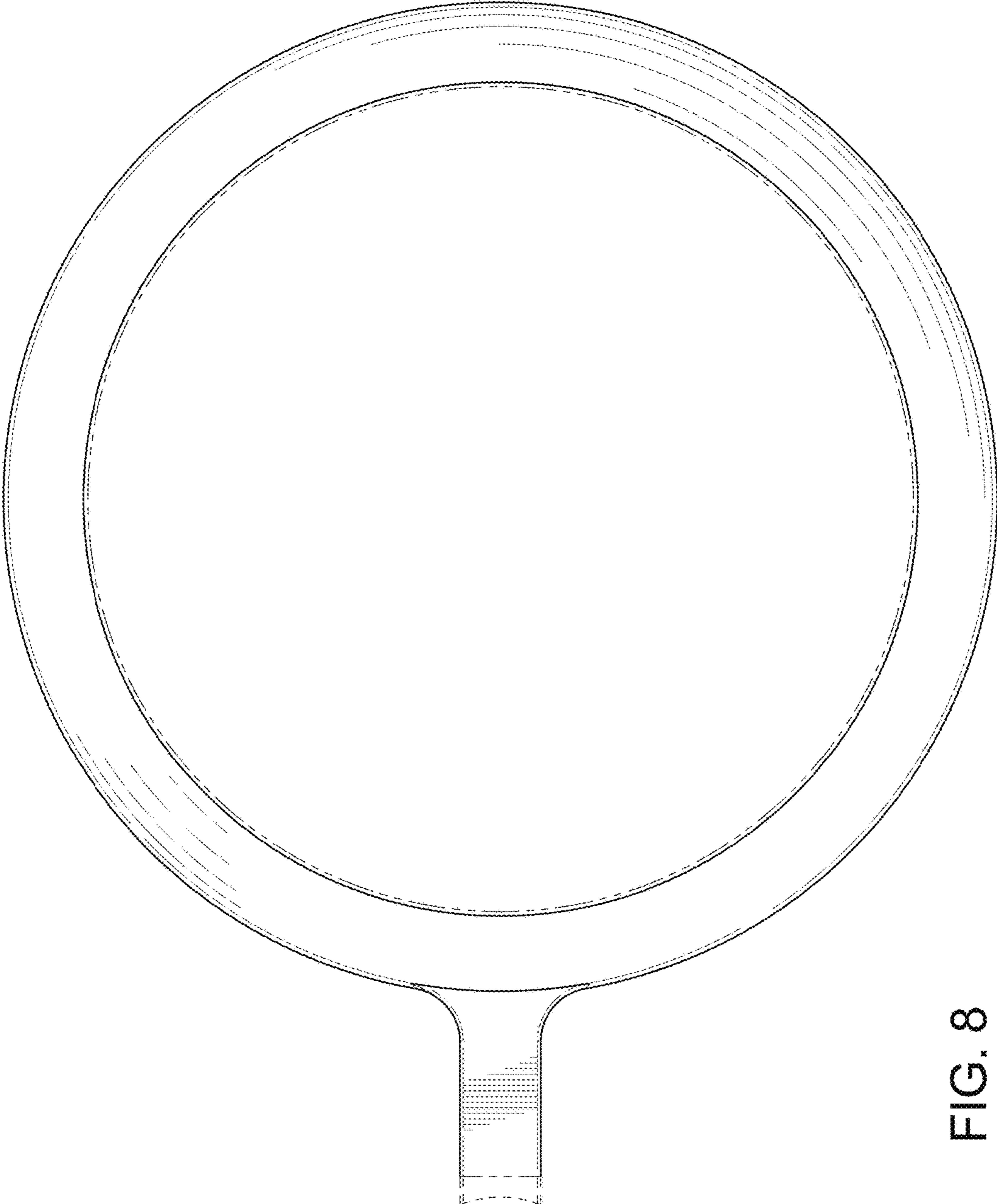


FIG. 8