



US00D863641S

(12) **United States Design Patent**
Miyawaki et al.

(10) **Patent No.:** **US D863,641 S**

(45) **Date of Patent:** **** Oct. 15, 2019**

(54) **WORKLIGHT**

(71) Applicant: **IRIS OHYAMA INC.**, Sendai-shi,
Miyagi (JP)

(72) Inventors: **Masayuki Miyawaki**, Kakuda (JP);
Shohei Tokoi, Kakuda (JP)

(73) Assignee: **IRIS OHYAMA INC.**, Sendai-shi (JP)

(**) Term: **15 Years**

(21) Appl. No.: **29/636,988**

(22) Filed: **Feb. 13, 2018**

(30) **Foreign Application Priority Data**

Aug. 19, 2017 (JP) 2017-017791

(51) **LOC (12) Cl.** **26-03**

(52) **U.S. Cl.**
USPC **D26/63**

(58) **Field of Classification Search**
USPC D26/24, 37, 44, 60, 61, 63-66, 69, 70,
D26/72, 74, 80, 81, 83, 85-87, 92, 102,
D26/113

CPC F21S 8/00; F21S 8/003; F21S 8/043; F21S
8/08; F21V 14/00; F21V 14/02; F21V
15/01; F21V 17/02; F21V 21/00; F21V
21/06; F21V 21/14; F21V 21/26; F21V
21/30; F21V 23/02; F21V 23/04; F21V
29/00

See application file for complete search history.

(56) **References Cited**

U.S. PATENT DOCUMENTS

D283,925 S * 5/1986 Sangiamo D26/24
D403,094 S * 12/1998 Grossman D26/63
D593,236 S * 5/2009 Ng D26/37
D679,845 S * 4/2013 Huang D26/63
D736,442 S * 8/2015 Kovacik D26/37
D779,094 S * 2/2017 Xu D26/63

D841,853 S * 2/2019 Wu D26/63
2004/0228133 A1* 11/2004 Tsao F21V 21/06
362/418
2005/0111223 A1* 5/2005 Lee F21L 14/00
362/269
2010/0149824 A1* 6/2010 Leen F21V 21/30
362/413

(Continued)

OTHER PUBLICATIONS

An Office Action; "Notice of Allowance", issued by the Japanese Patent Office on Apr. 24, 2018, which corresponds to Japanese Design Application No. 2017-017791; with English language Concise Explanation.

(Continued)

Primary Examiner — Angela J Lee

Assistant Examiner — Shawn T Gingrich

(74) *Attorney, Agent, or Firm* — Studebaker & Brackett
PC

(57) **CLAIM**

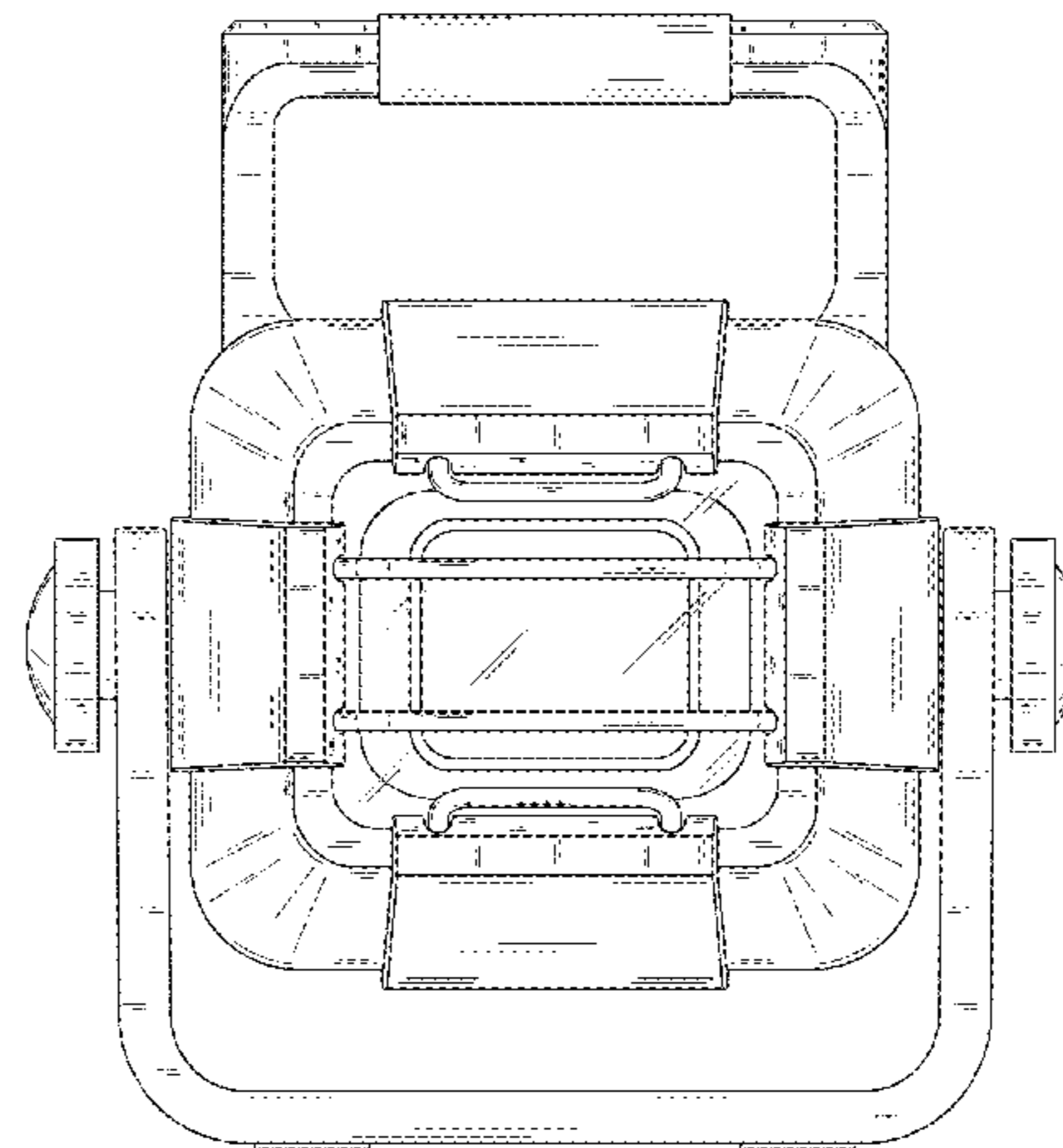
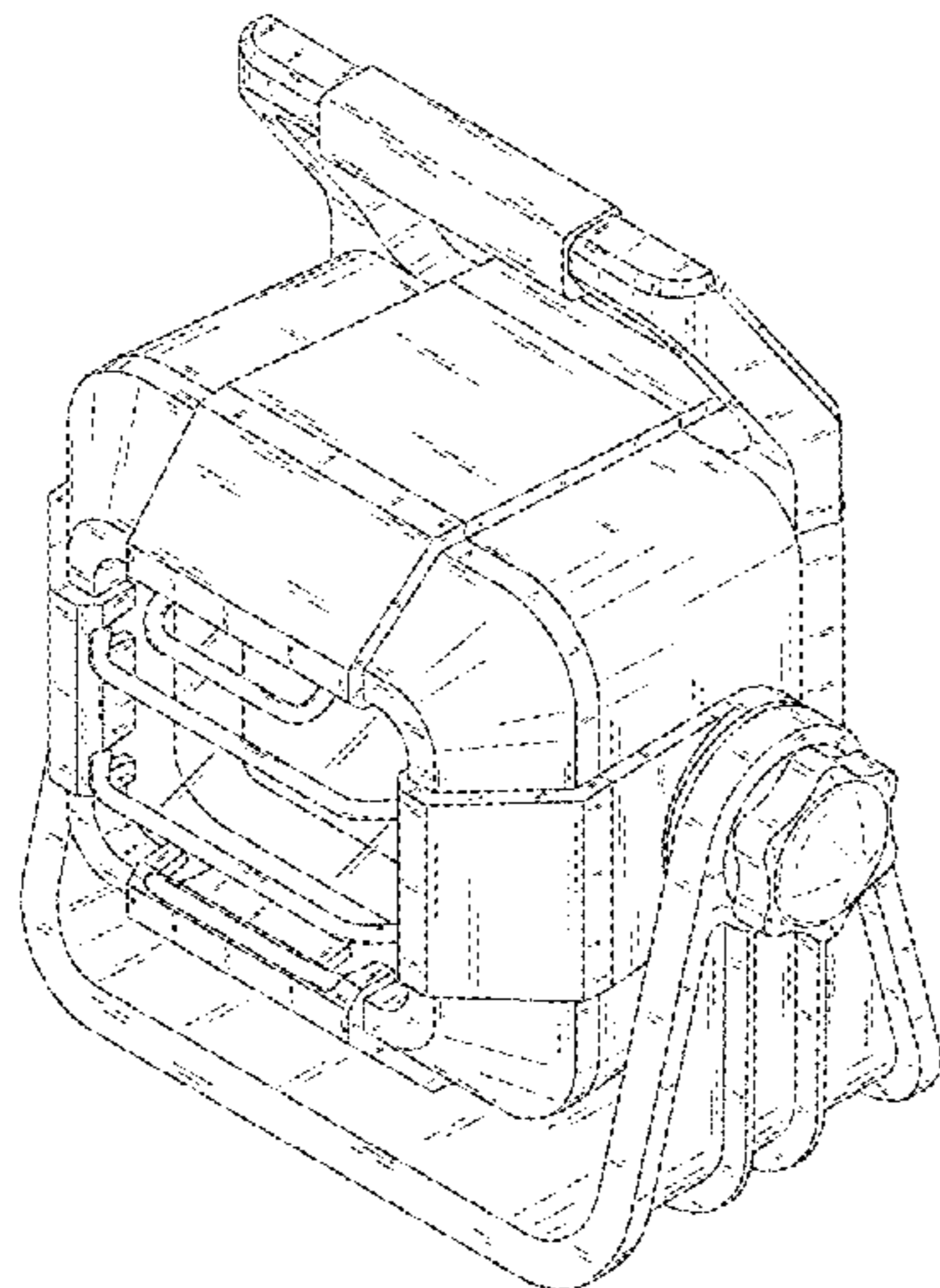
The ornamental design for a worklight, as shown and described.

DESCRIPTION

FIG. 1 is a front, top, and right-side perspective view of a worklight showing our new design;
FIG. 2 is a front view thereof;
FIG. 3 is a rear view thereof;
FIG. 4 is a top view thereof;
FIG. 5 is a bottom view thereof;
FIG. 6 is a right-side view thereof, with the left-side view being a mirror image thereof; and,
FIG. 7 is another front, top, right-side perspective view thereof, showing the worklight in use in which the pale gray portion emits light.

The broken lines represent portions of a worklight which form no part of the claimed design.

1 Claim, 6 Drawing Sheets



(56)

References Cited

U.S. PATENT DOCUMENTS

2014/0153267 A1* 6/2014 Georgitsis F21V 21/30
362/430

OTHER PUBLICATIONS

W. W. Grainger, Inc.; publications on website, 52AZ25 (Japan Patent Office Design Patent Department, publicly known reference No. HJ28058518).

* cited by examiner

FIG. 1

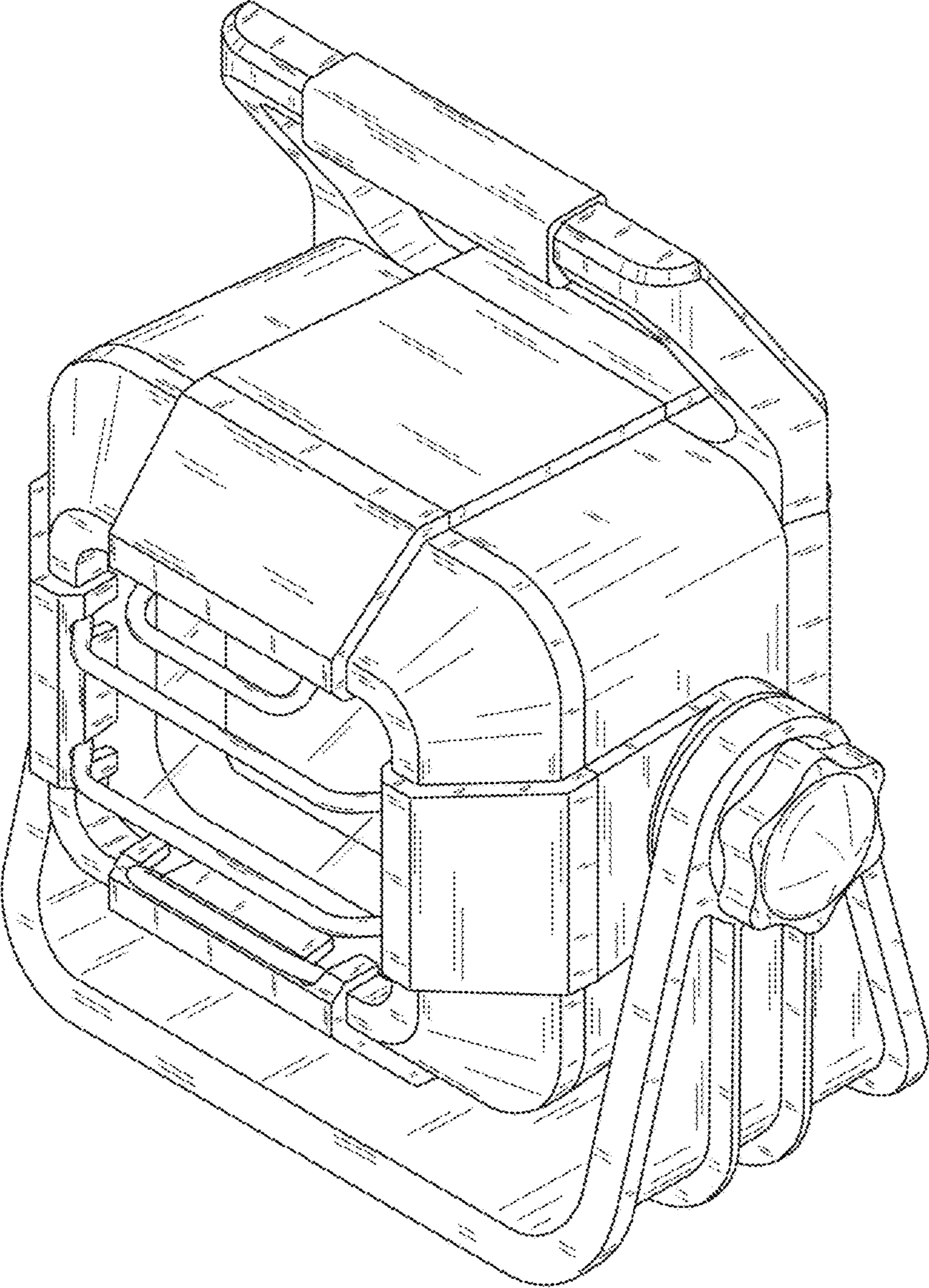


FIG. 2

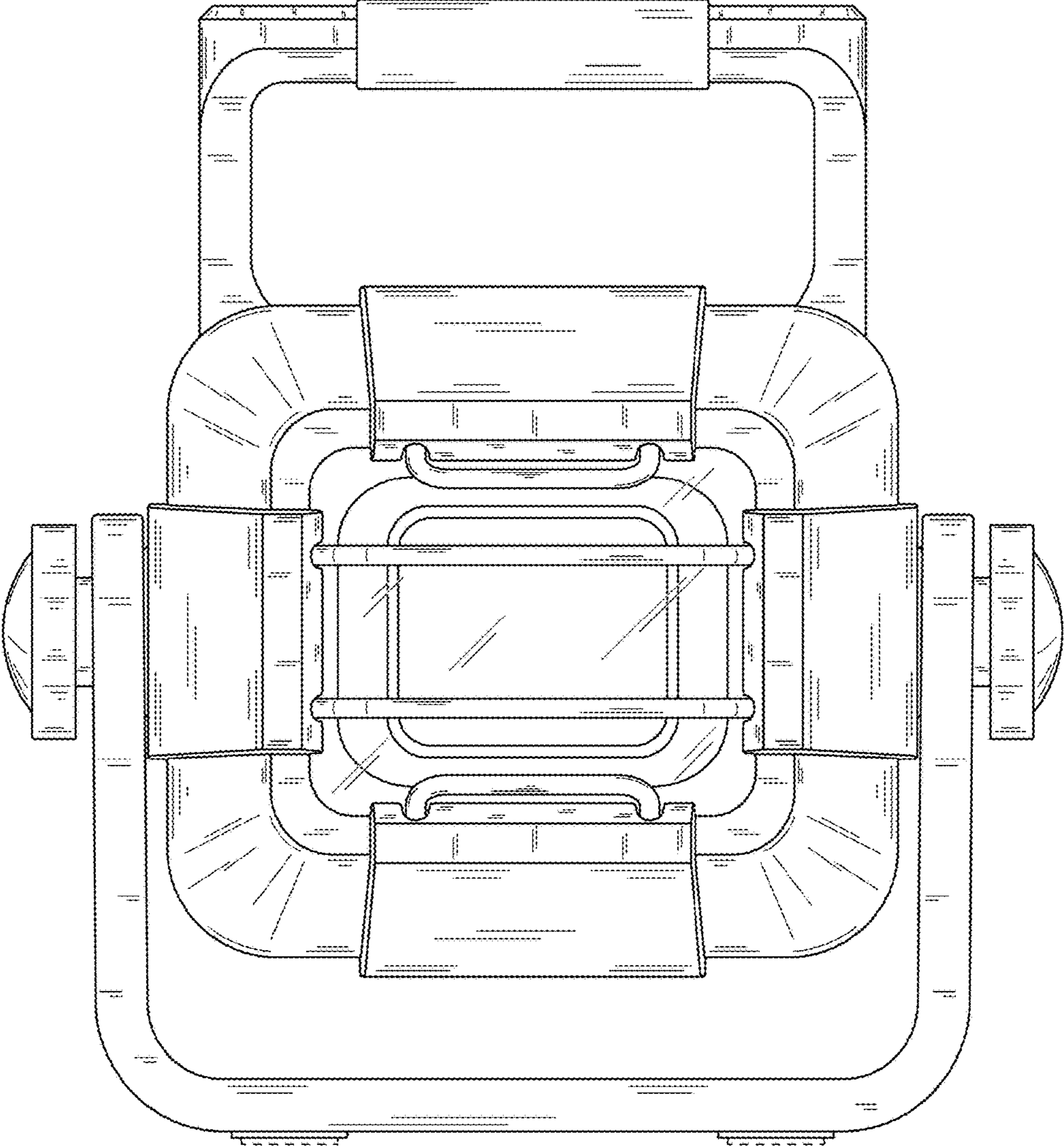


FIG. 3

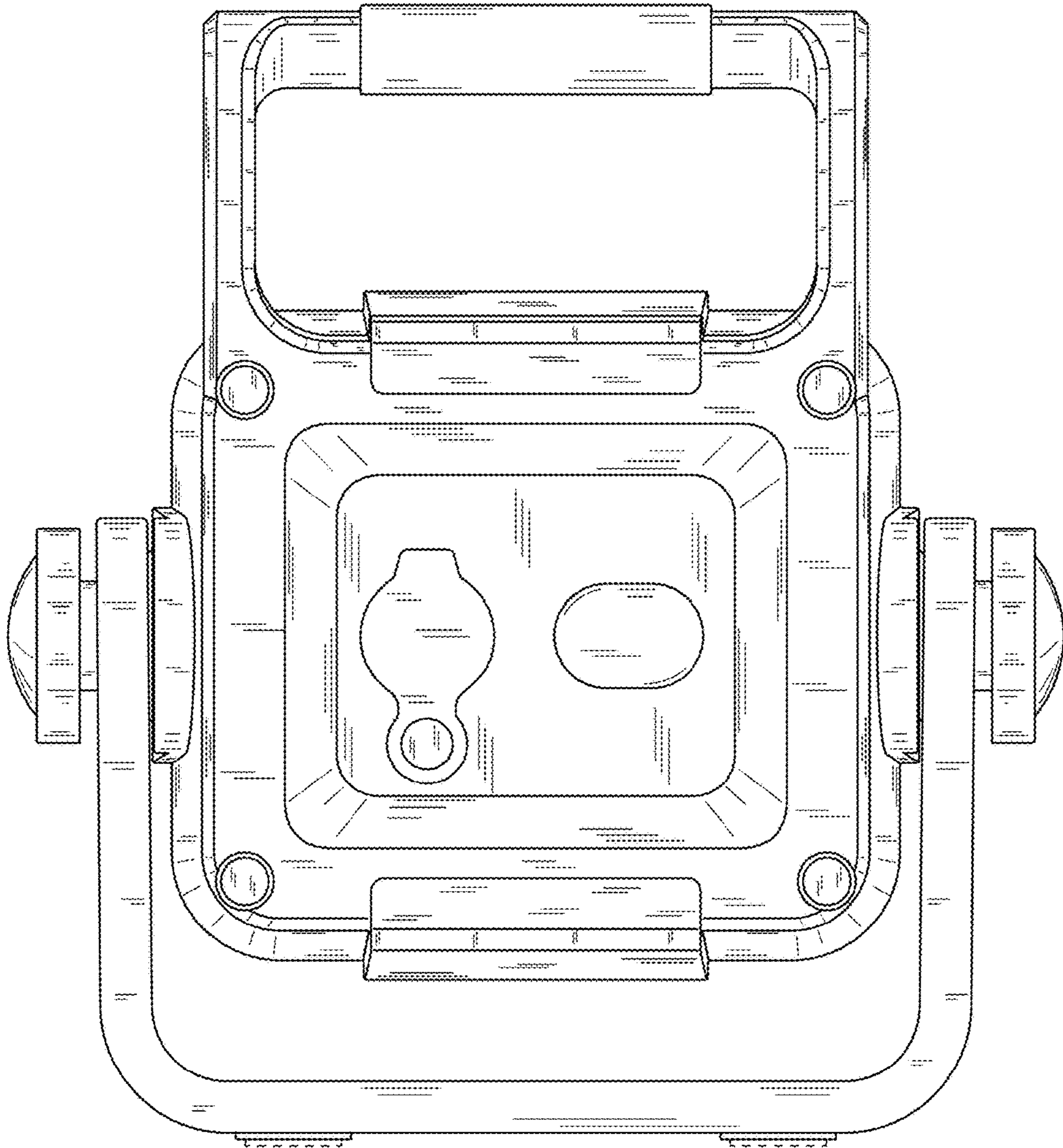


FIG. 4

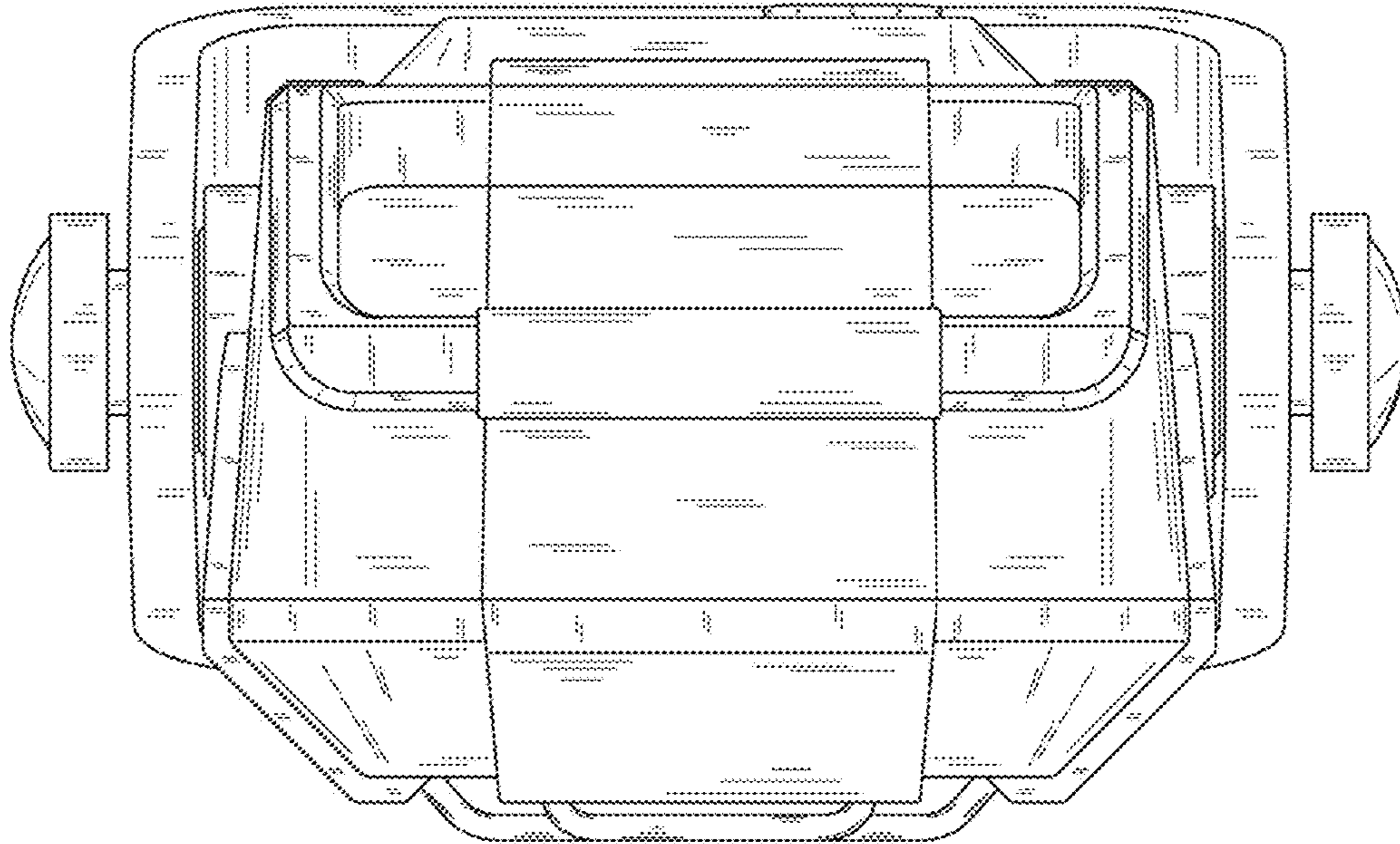


FIG. 5

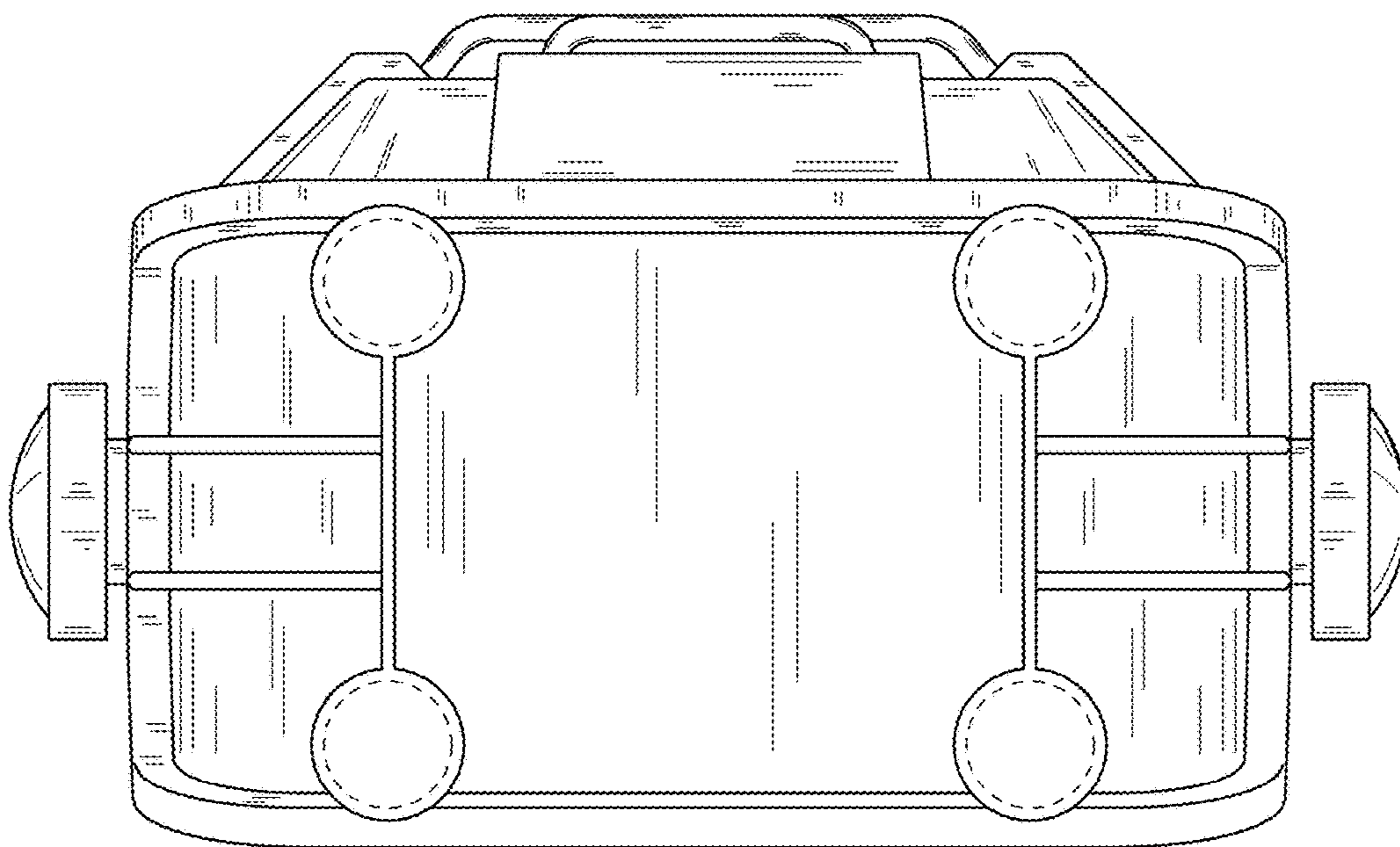


FIG. 6

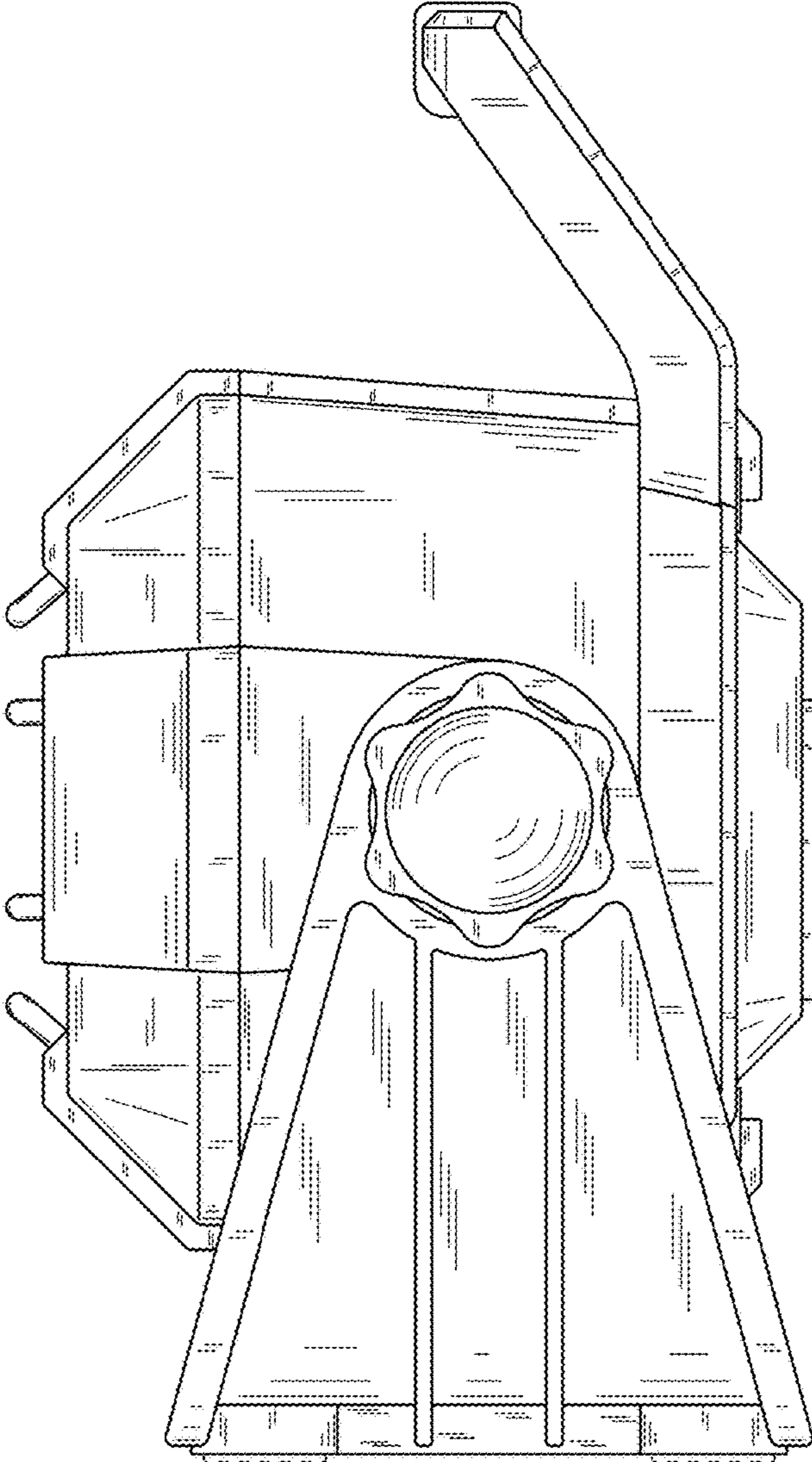


FIG. 7

