



US00D863640S

(12) **United States Design Patent** (10) **Patent No.:** **US D863,640 S**
Miyawaki et al. (45) **Date of Patent:** **** Oct. 15, 2019**

(54) **WORKLIGHT**

- (71) Applicant: **IRIS OHYAMA INC.**, Sendai-shi, Miyagi (JP)
- (72) Inventors: **Masayuki Miyawaki**, Kakuda (JP); **Shohei Tokoi**, Kakuda (JP)
- (73) Assignee: **IRIS OHYAMA INC.**, Sendai-shi (JP)
- (**) Term: **15 Years**
- (21) Appl. No.: **29/634,074**
- (22) Filed: **Jan. 18, 2018**

(30) **Foreign Application Priority Data**

Aug. 4, 2017 (JP) 2017-016892

(51) **LOC (12) Cl.** **26-03**

(52) **U.S. Cl.**
USPC **D26/63**

(58) **Field of Classification Search**
USPC D26/1, 24, 61, 63, 65, 85, 92, 37
CPC F21V 21/14; F21V 15/01; F21V 14/02;
F21V 21/30; F21V 21/00; F21V 14/00;
F21S 8/00; F21S 8/003; F21S 8/043;
F21Y 2105/001

See application file for complete search history.

(56) **References Cited**

U.S. PATENT DOCUMENTS

D593,236 S *	5/2009	Ng	D26/37
D754,383 S *	4/2016	Kovacik	D26/63
D780,969 S *	3/2017	Zhu	D26/63
D796,718 S *	9/2017	Zhou	D26/63
D820,489 S *	6/2018	Zhang	D26/61
D827,170 S *	8/2018	Zhang	D26/63
D841,853 S *	2/2019	Wu	D26/63

FOREIGN PATENT DOCUMENTS

JP 1476549 S 8/2013

OTHER PUBLICATIONS

An Office Action; "Notice of Allowance", issued by the Japanese Patent Office dated Apr. 24, 2018, which corresponds to Japanese Design Application No. 2017-016892; with English language Concise Explanation.

Special selection town, January issue separate volume, (Jan. 1, 1996), p. 150 (Japan Patent Office Design Patent Department, publicly known reference No. HA07031133).

Kazi: Rudder, vol. 7, Issue 62, (Jun. 1, 1996), p. 368, 54621 (Japan Patent Office Design Patent Department, publicly known reference No. HA08009652).

* cited by examiner

Primary Examiner — Brian N. Vinson

(74) *Attorney, Agent, or Firm* — Studebaker & Brackett PC

(57) **CLAIM**

The ornamental design for a worklight, as shown and described.

DESCRIPTION

FIG. 1 is a front, top and right-side perspective view of a worklight showing our new design;

FIG. 2 is a front view thereof;

FIG. 3 is a rear view thereof;

FIG. 4 is a top view thereof;

FIG. 5 is a bottom view thereof;

FIG. 6 is a right-side view thereof;

FIG. 7 is a left-side view thereof; and,

FIG. 8 is a vertical cross-sectional view thereof, taken along line 8-8 of FIG. 2.

The broken lines represent portions of the worklight which form no part of the claimed design. The dot-dash broken lines define boundaries of the claimed design and form no part thereof.

1 Claim, 8 Drawing Sheets

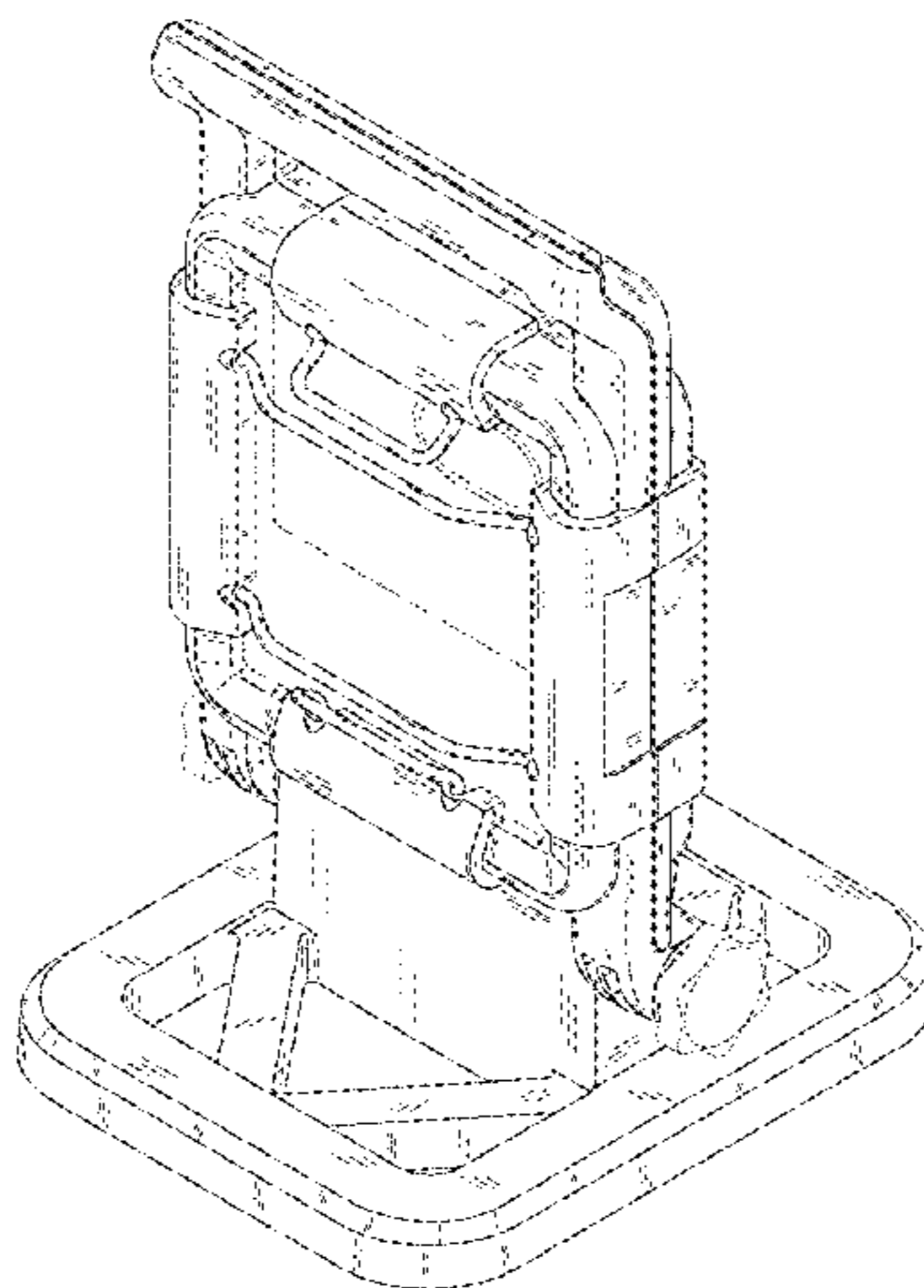


FIG. 1

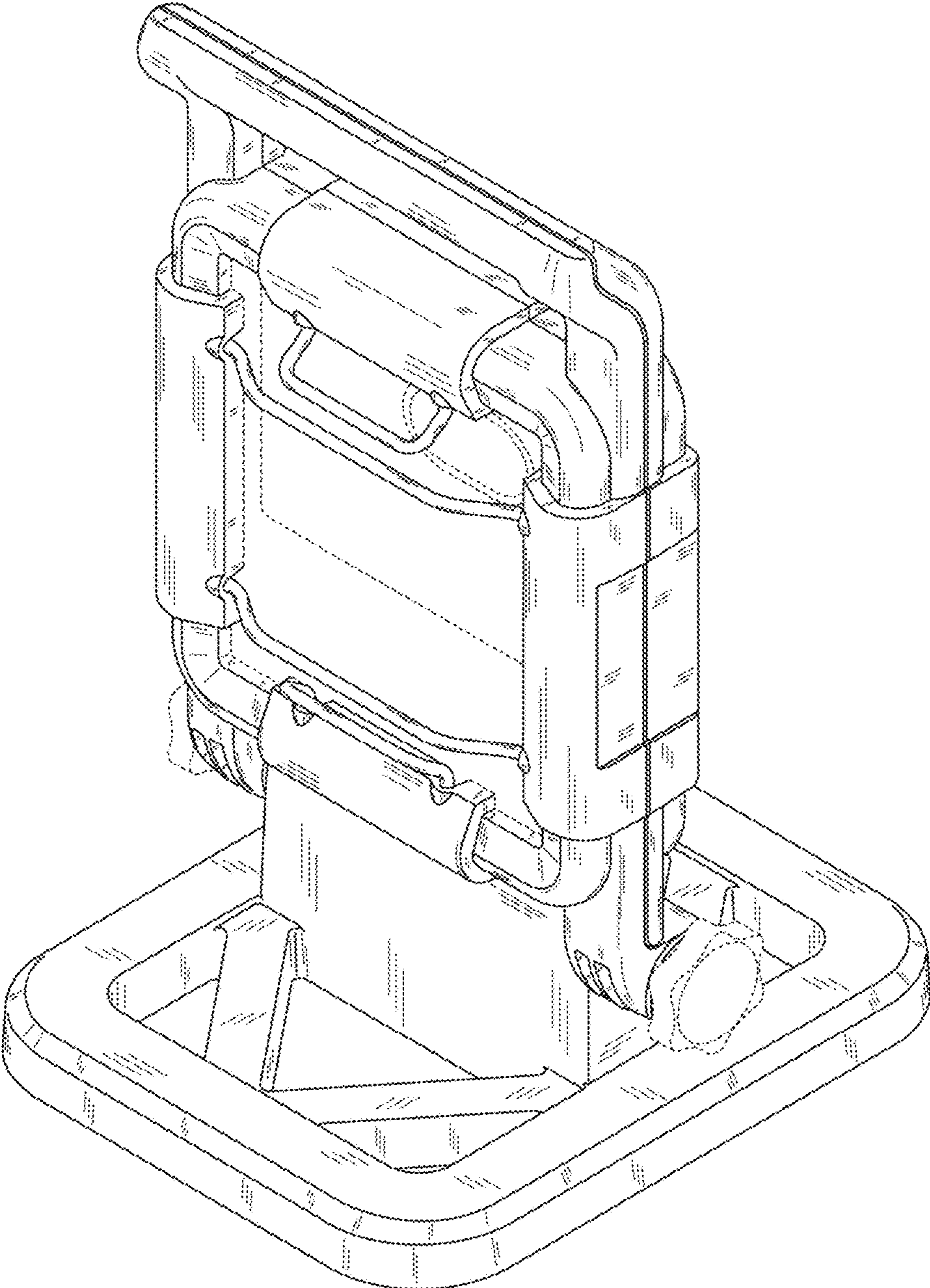


FIG. 2

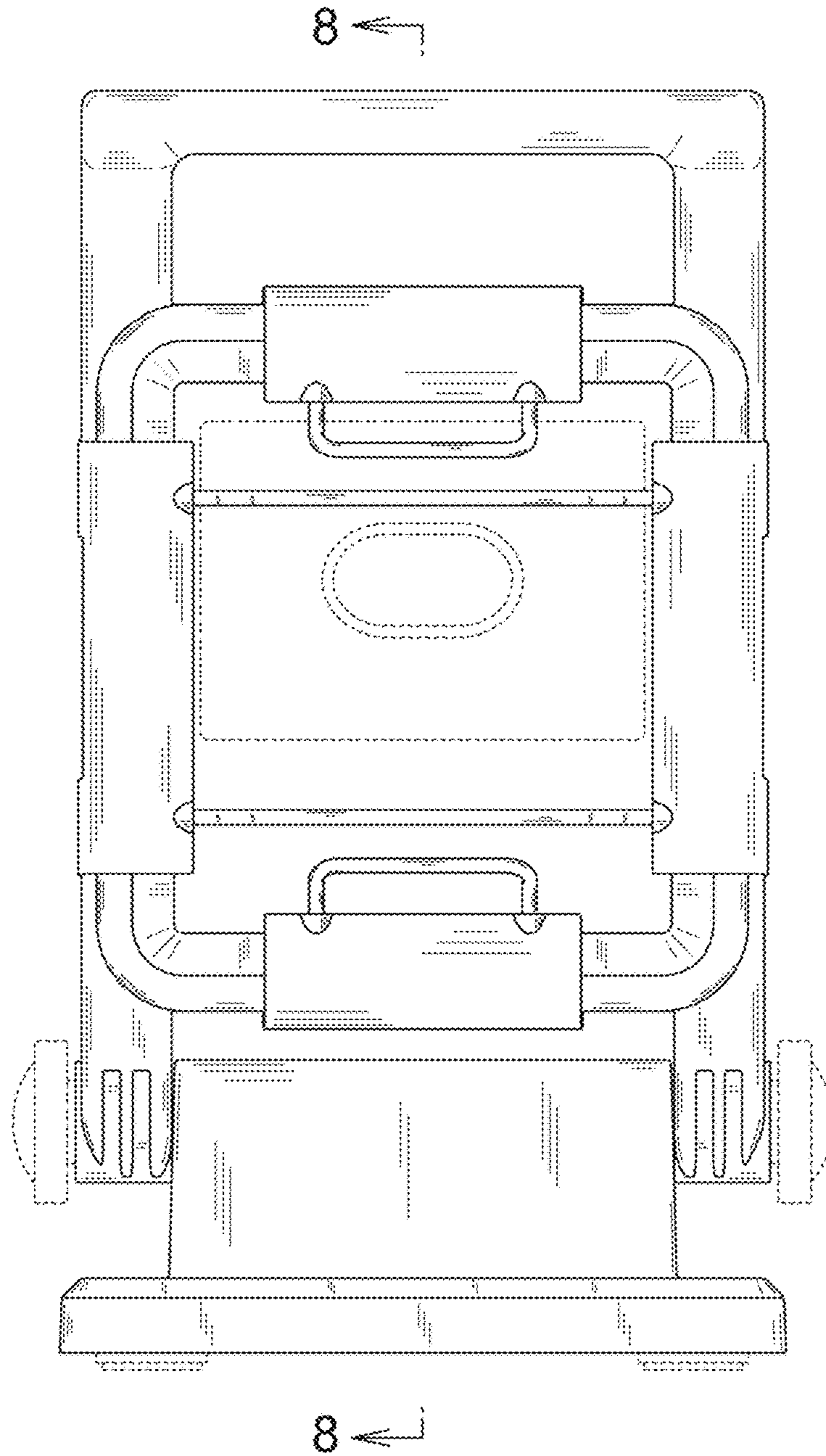


FIG. 3

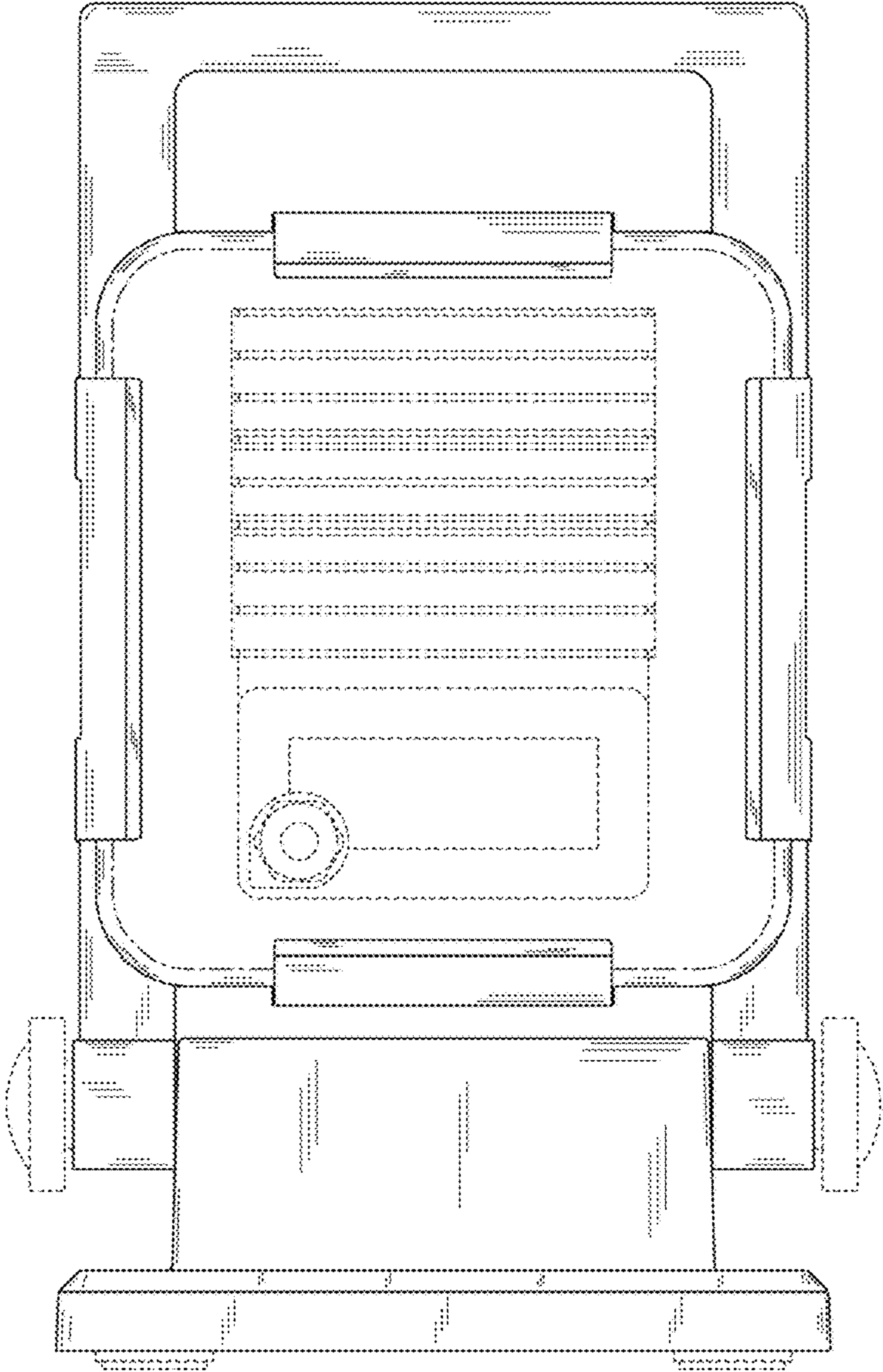


FIG. 4

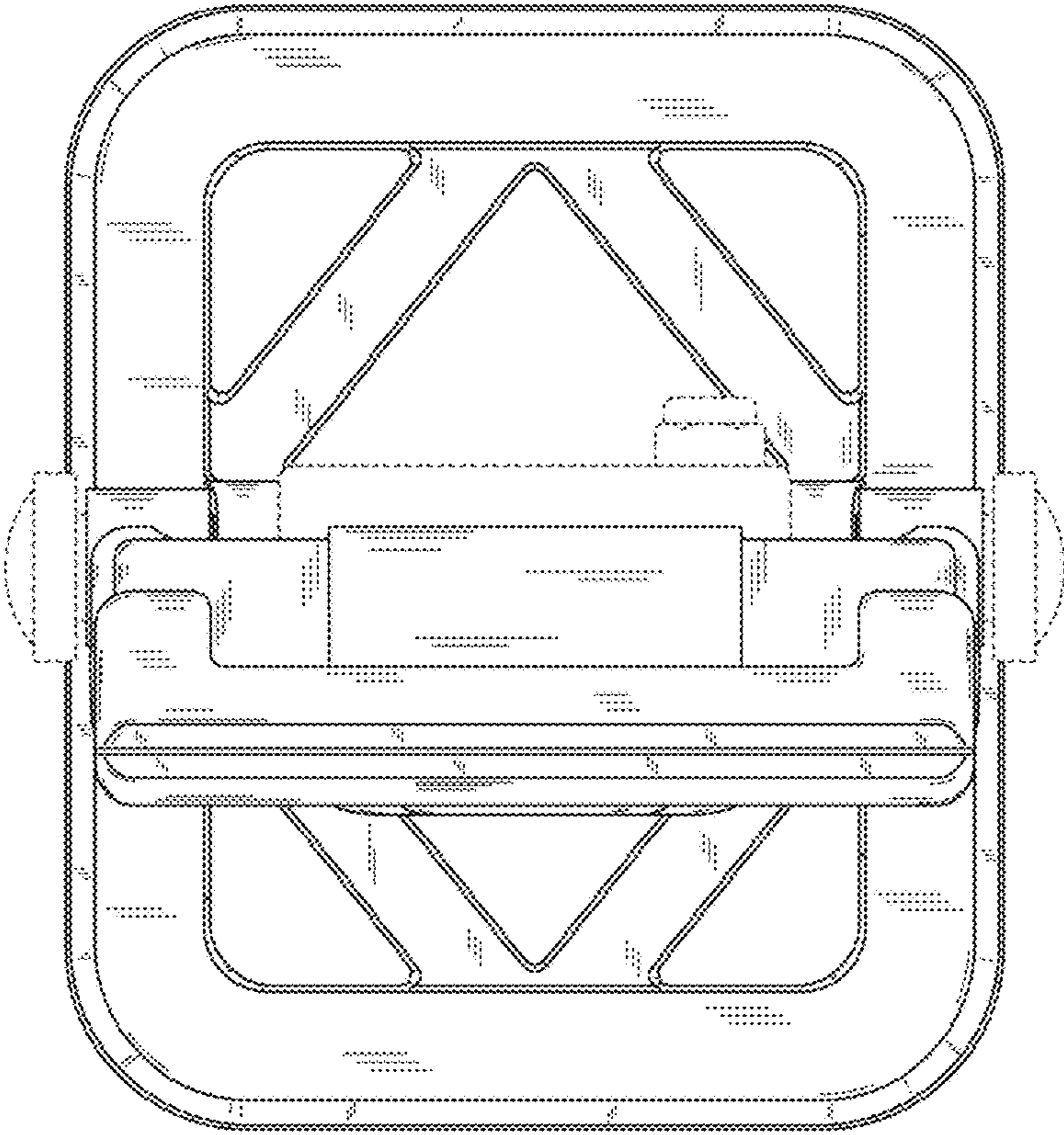


FIG. 5

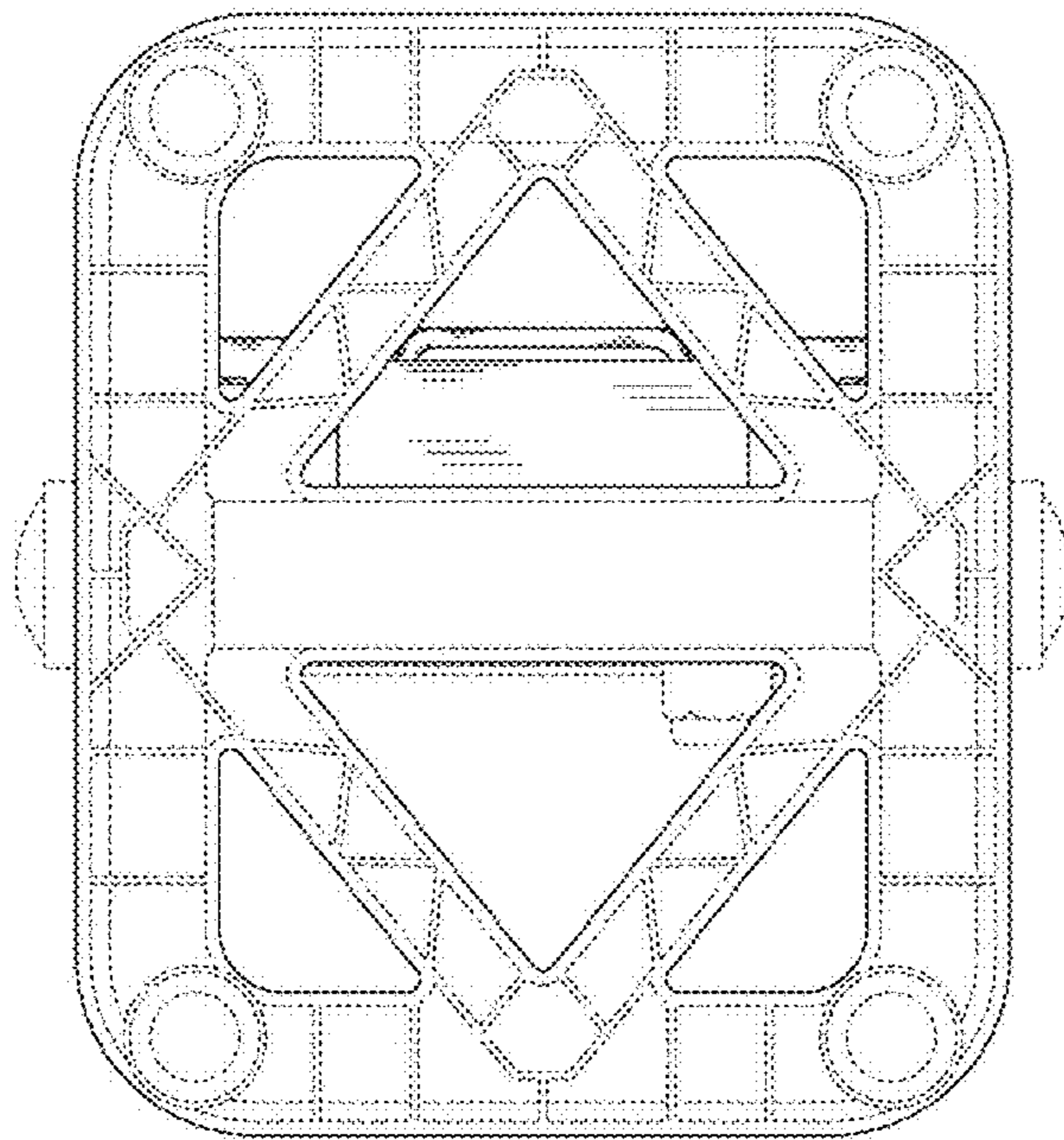


FIG. 6

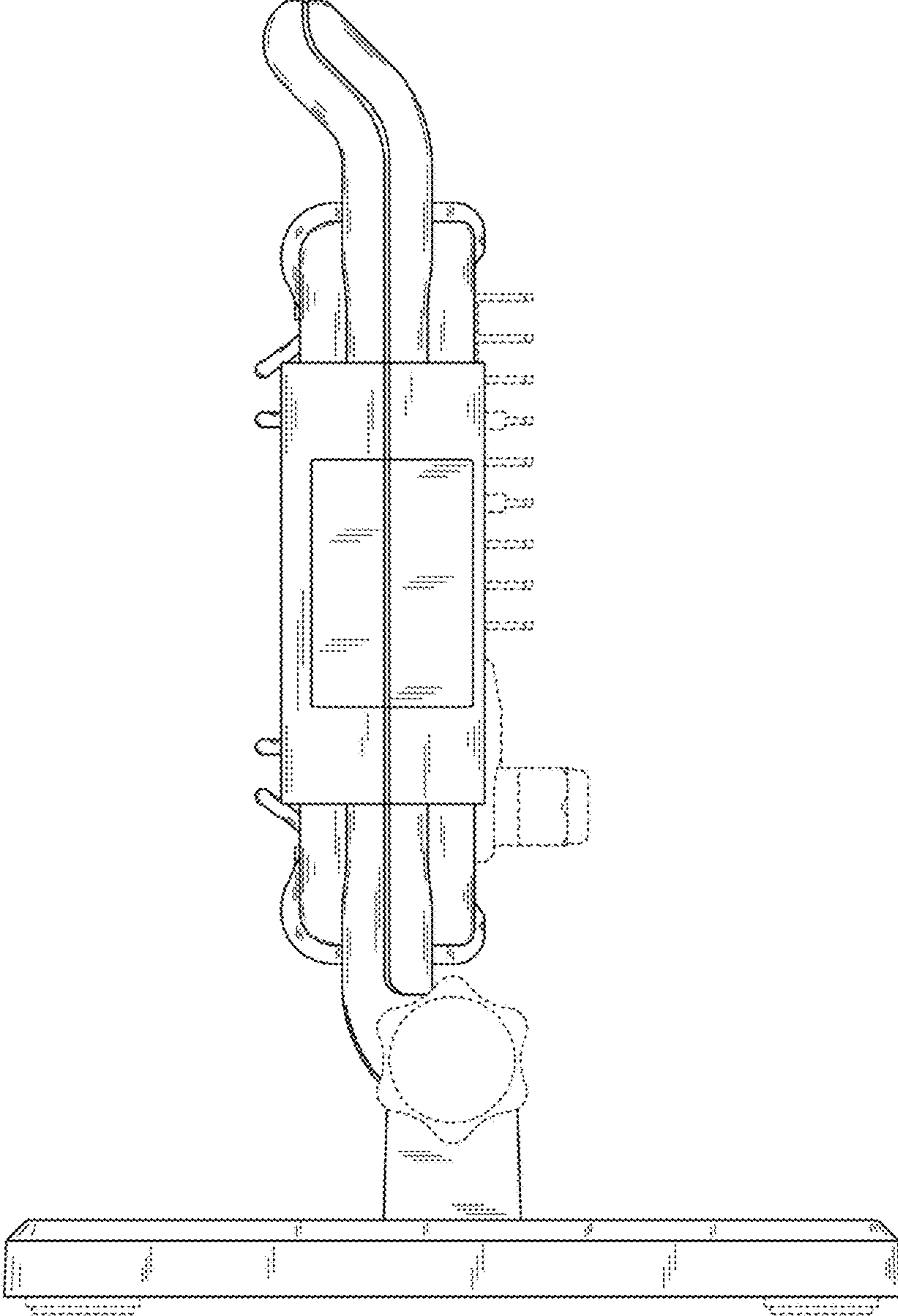


FIG. 7

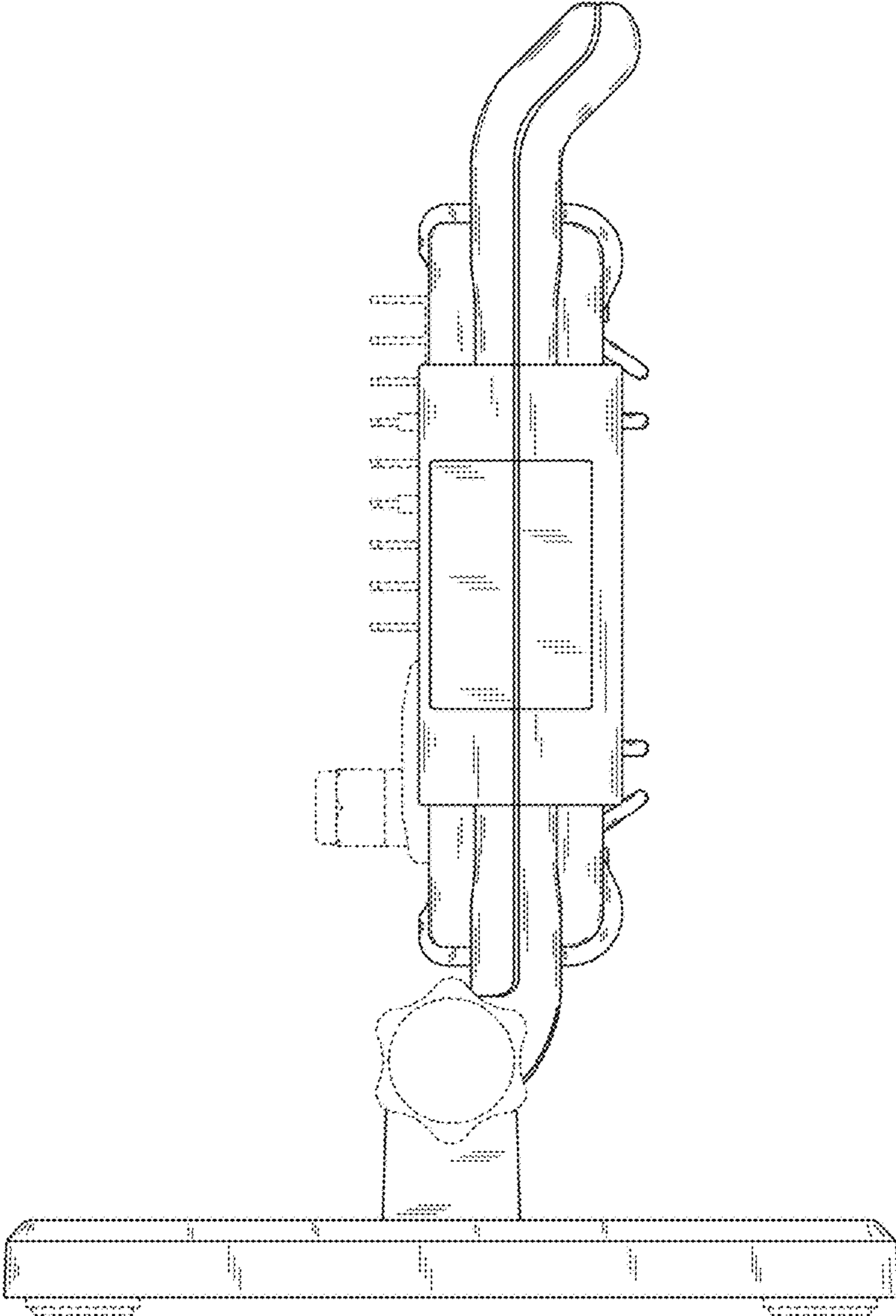


FIG. 8

