



US00D863639S

(12) **United States Design Patent**
Roslonek

(10) **Patent No.:** **US D863,639 S**

(45) **Date of Patent:** **** *Oct. 15, 2019**

(54) **HEXAGONAL PATTERNED STAGE LIGHT**

(71) Applicant: **Krzysztof Roslonek**, Gdansk (PL)

(72) Inventor: **Krzysztof Roslonek**, Gdansk (PL)

(*) Notice: This patent is subject to a terminal disclaimer.

(**) Term: **15 Years**

(21) Appl. No.: **29/580,614**

(22) Filed: **Oct. 11, 2016**

(30) **Foreign Application Priority Data**

Apr. 11, 2016 (EM) 003062892-0001

(51) **LOC (12) Cl.** **26-03**

(52) **U.S. Cl.**
USPC **D26/63**

(58) **Field of Classification Search**
USPC D26/1, 24, 61, 63, 65, 85, 92
CPC F21V 21/14; F21V 15/01; F21V 14/02;
F21V 21/30; F21V 21/00; F21V 14/00;
F21S 8/00; F21S 8/003; F21S 8/043;
F21Y 2105/001
See application file for complete search history.

(56) **References Cited**

U.S. PATENT DOCUMENTS

D728,840 S * 5/2015 Eustace D26/63

D730,555 S * 5/2015 Gebhard D26/63
D735,385 S * 7/2015 Lee D26/63
D759,280 S * 6/2016 Moller D26/63
D783,874 S * 4/2017 Moller D26/63
D784,588 S * 4/2017 Piano D26/65
D788,966 S * 6/2017 Gan D26/63

* cited by examiner

Primary Examiner — Brain N. Vinson

(74) *Attorney, Agent, or Firm* — K&L Gates LLP; Jordan A. Kwan

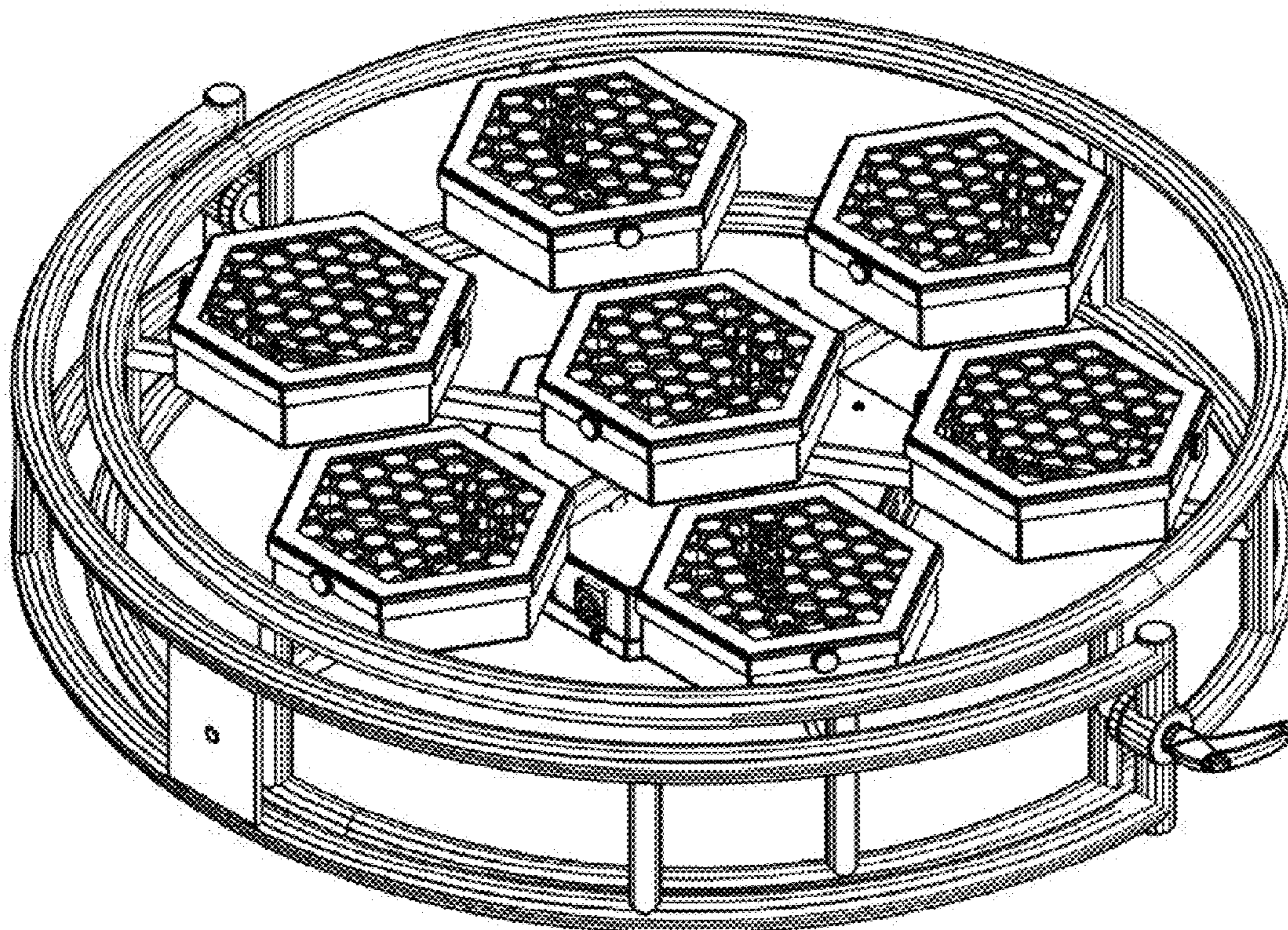
(57) **CLAIM**

The ornamental design for a hexagonal patterned stage light, as shown and described.

DESCRIPTION

FIG. 1 illustrates a face-up, front perspective view of a hexagonal patterned stage light;
FIG. 2 illustrates a front elevation view thereof;
FIG. 3 illustrates a back elevation view thereof;
FIG. 4 illustrates a left side elevation view thereof, the right side being a mirror image;
FIG. 5 illustrates a top plan view thereof; and,
FIG. 6 illustrates a bottom plan view thereof.

1 Claim, 6 Drawing Sheets



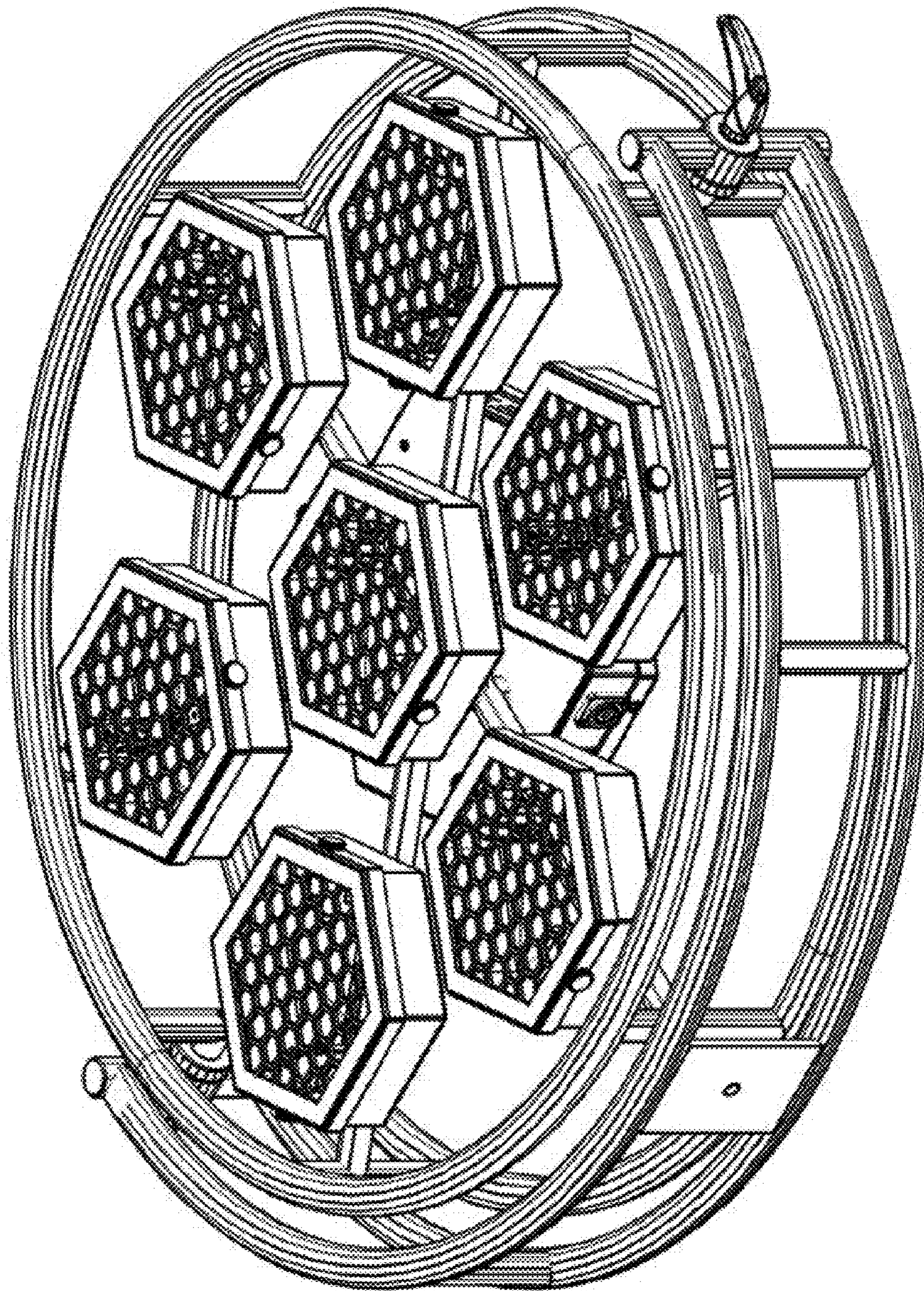


FIG. 1

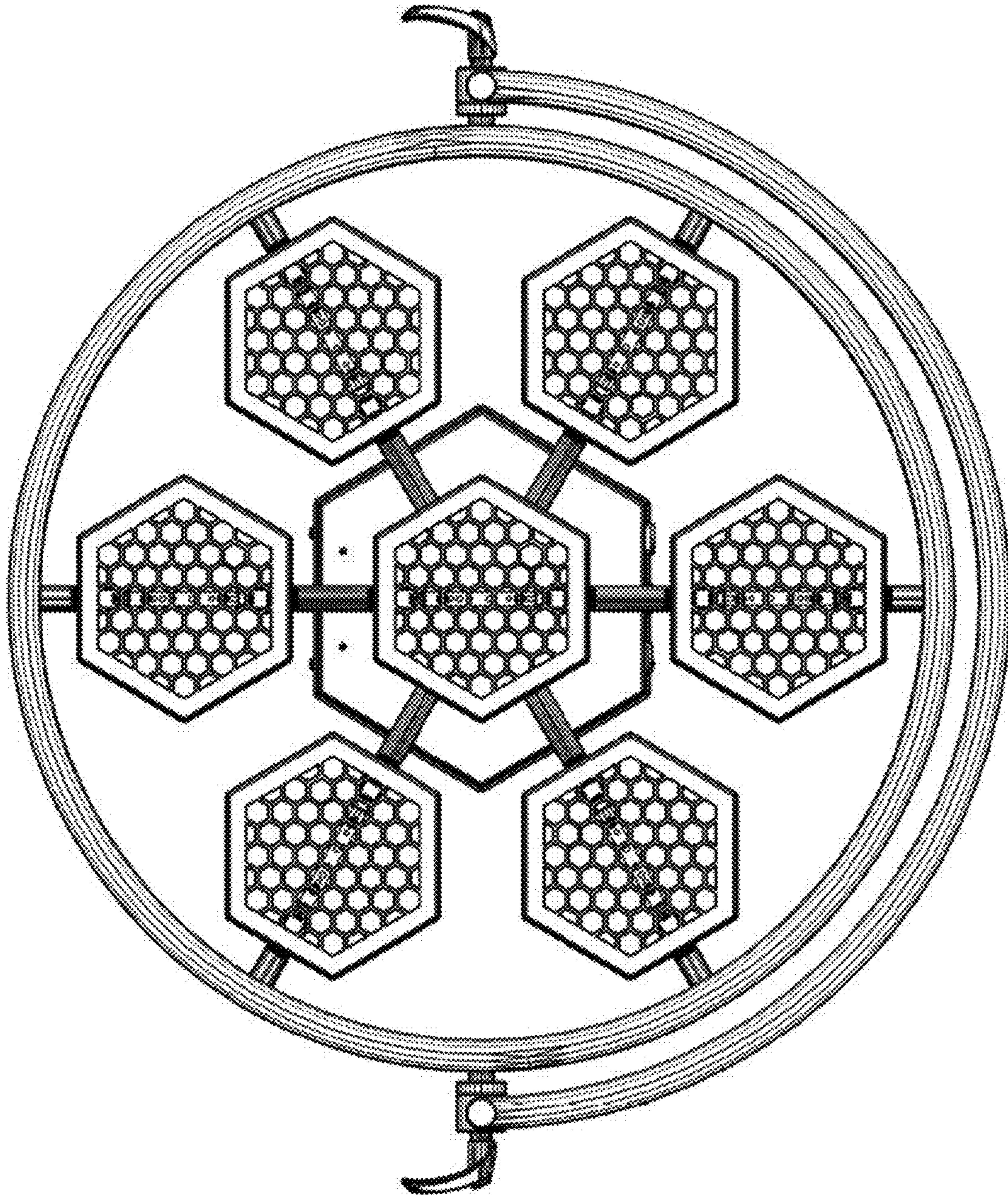


FIG. 2

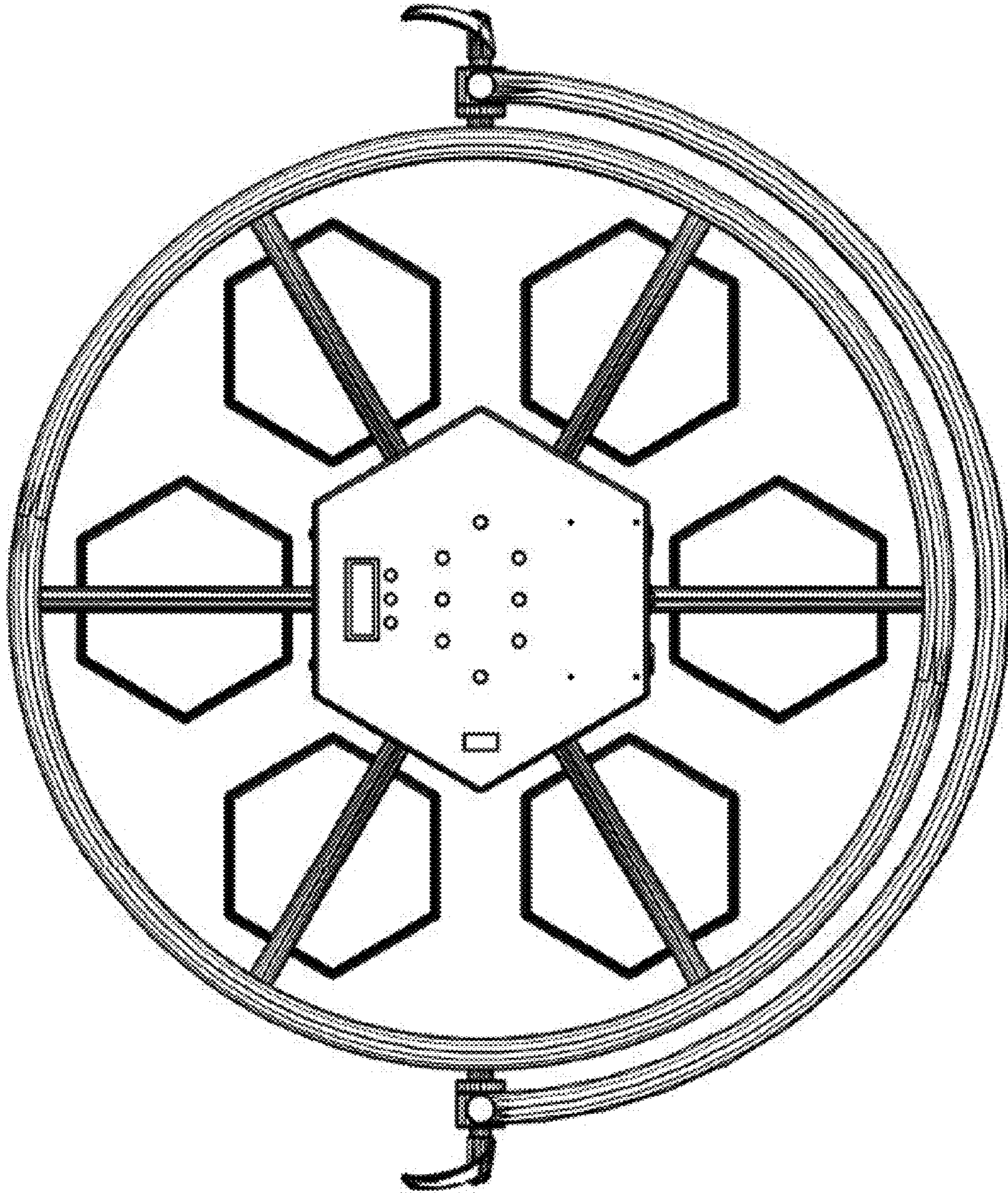


FIG. 3

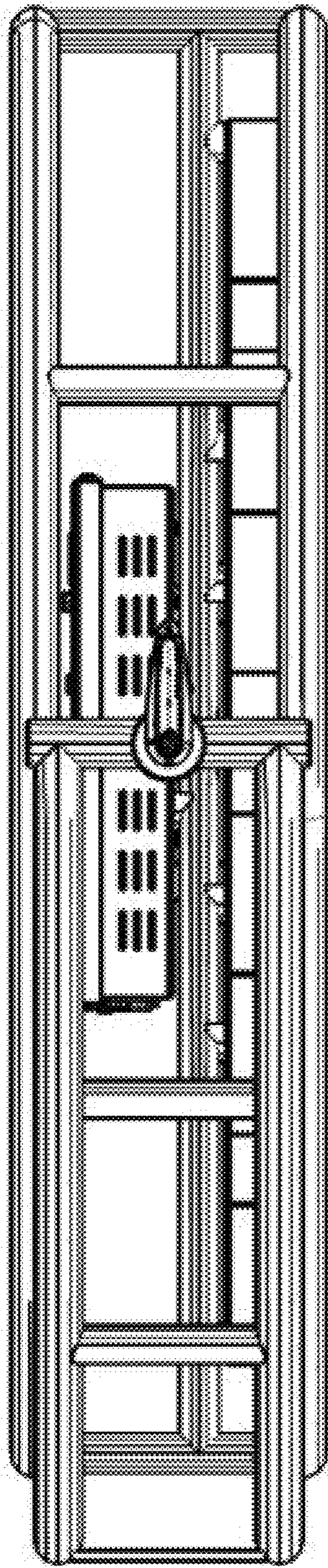


FIG. 4

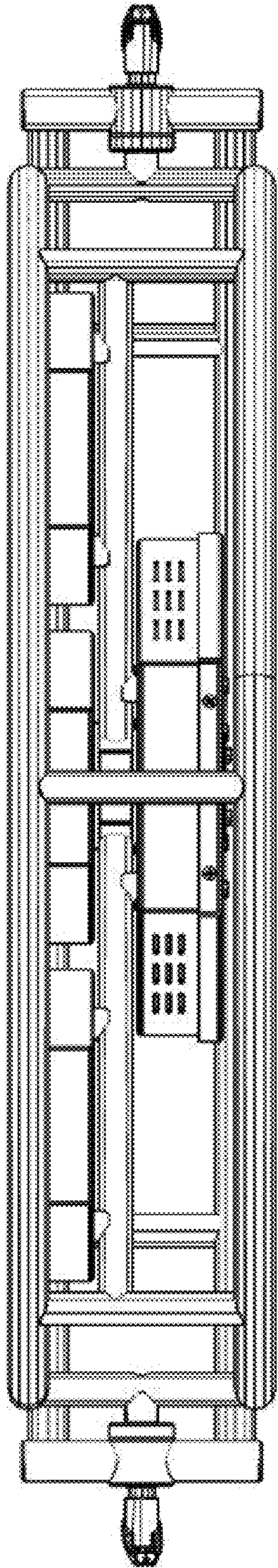


FIG. 5

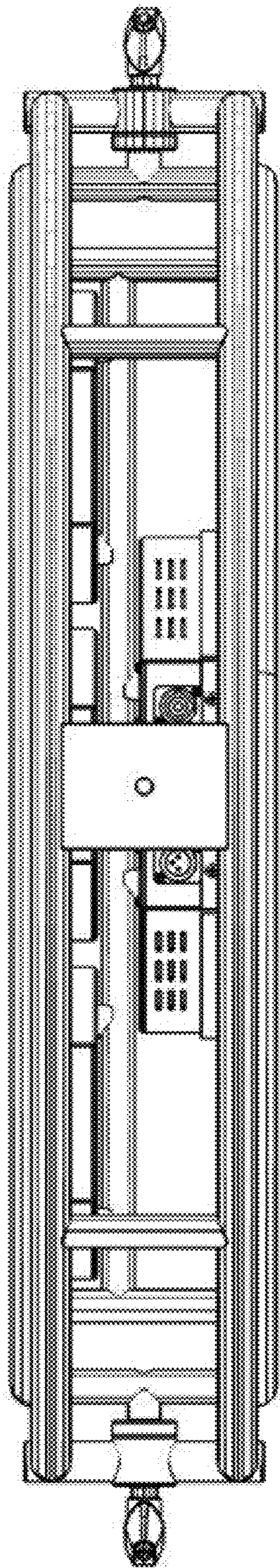


FIG. 6