



US00D863638S

(12) **United States Design Patent**
Zhou et al.

(10) **Patent No.:** **US D863,638 S**

(45) **Date of Patent:** **** Oct. 15, 2019**

(54) **FLOOR LAMP**

(71) Applicant: **MAINHOUSE (XIAMEN)
ELECTRONICS CO., LTD.**, Xiamen
(CN)

(72) Inventors: **Nanqing Zhou**, Xiamen (CN); **Ting
Luo**, Xiamen (CN); **Rongkui Wu**,
Xiamen (CN)

(73) Assignee: **MAINHOUSE (XIAMEN)
ELECTRONICS CO., LTD.**, Xiamen,
Fujian (CN)

(**) Term: **15 Years**

(21) Appl. No.: **29/589,992**

(22) Filed: **Jan. 6, 2017**

(51) **LOC (12) Cl.** **26-05**

(52) **U.S. Cl.**
USPC **D26/58**

(58) **Field of Classification Search**
USPC D26/37-51
CPC F21L 2003/00; F21L 4/00; F21L 4/005;
F21L 4/02; F21L 4/025; F21L 4/027;
F21L 4/04; F21L 4/08; F21L 2005/00;
F21L 7/00; F21L 11/00; F21L 13/00;
F21L 13/04; F21L 13/08; F21L 14/02;
F21L 17/00; F21L 19/00; F21L 25/00
See application file for complete search history.

(56) **References Cited**

U.S. PATENT DOCUMENTS

D433,531 S * 11/2000 Hsu D26/112
D471,306 S * 3/2003 Barber D26/58

D473,962 S * 4/2003 Jacquelin D26/51
D589,206 S * 3/2009 Sabernig D26/110
D590,973 S * 4/2009 Hodgson D26/51
D628,338 S * 11/2010 Sabernig D26/65
D693,049 S * 11/2013 Meise D26/107
D732,231 S * 6/2015 Anastassiades D26/93
D757,987 S * 5/2016 Lee D26/102
D824,579 S * 7/2018 Chen D26/107
D827,891 S * 9/2018 Kawabata D26/40

* cited by examiner

Primary Examiner — Lakiya G Rogers

Assistant Examiner — Carissa C Fitts

(74) *Attorney, Agent, or Firm* — Leong C. Lei

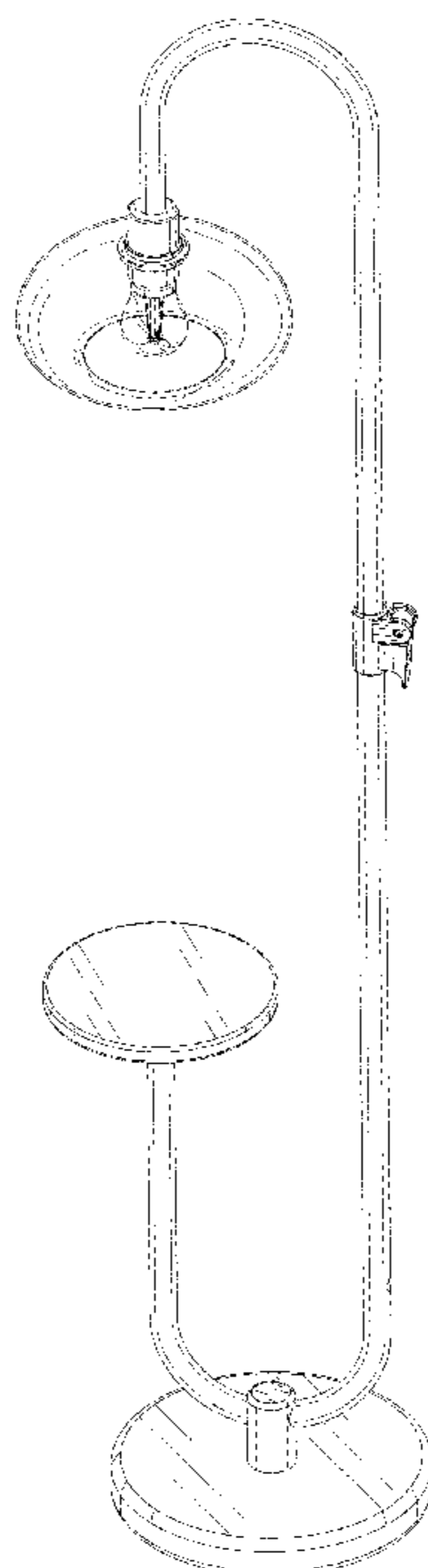
(57) **CLAIM**

The ornamental design for a floor lamp, as shown and described.

DESCRIPTION

FIG. 1 is a perspective view of a floor lamp showing my present design;
FIG. 2 is a front view thereof;
FIG. 3 is a rear view thereof;
FIG. 4 is a left side view thereof;
FIG. 5 is a right side view thereof;
FIG. 6 is a top view thereof; and,
FIG. 7 is a bottom view thereof.
The broken lines in the drawings illustrate portions of the floor lamp which form no part of the claimed design.

1 Claim, 6 Drawing Sheets



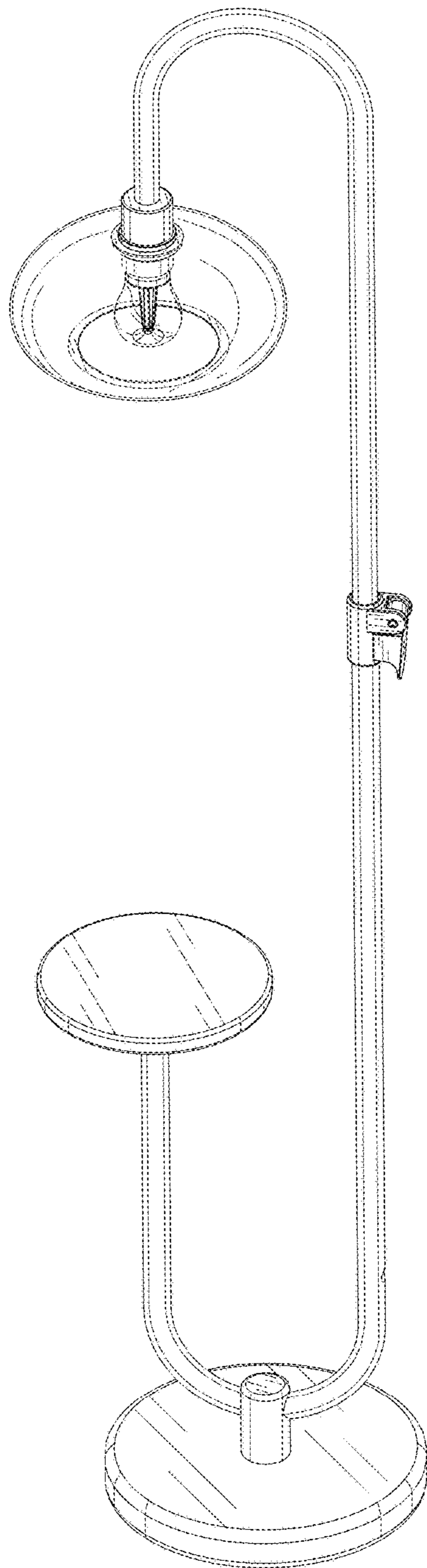


FIG. 1

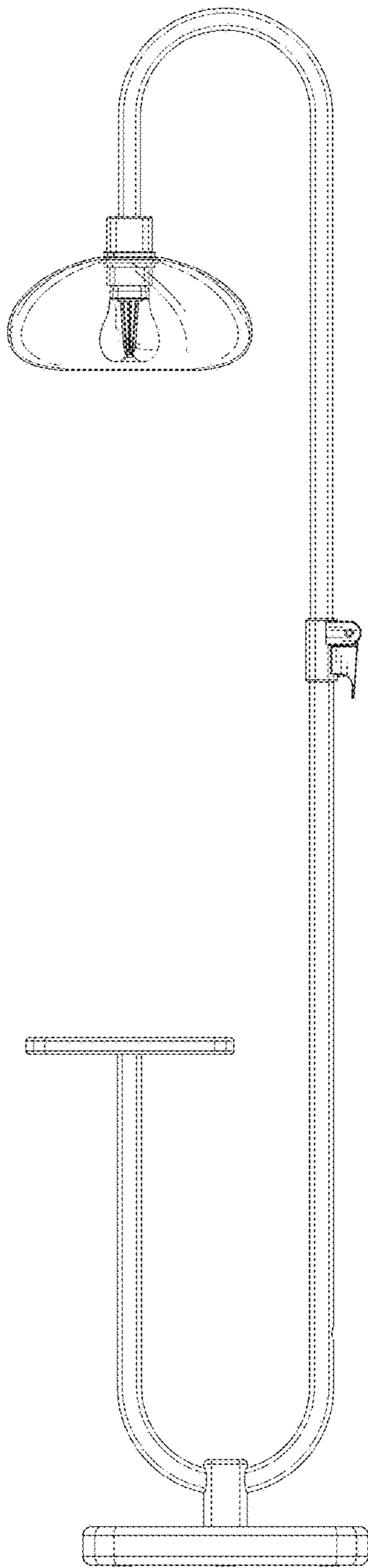


FIG. 2

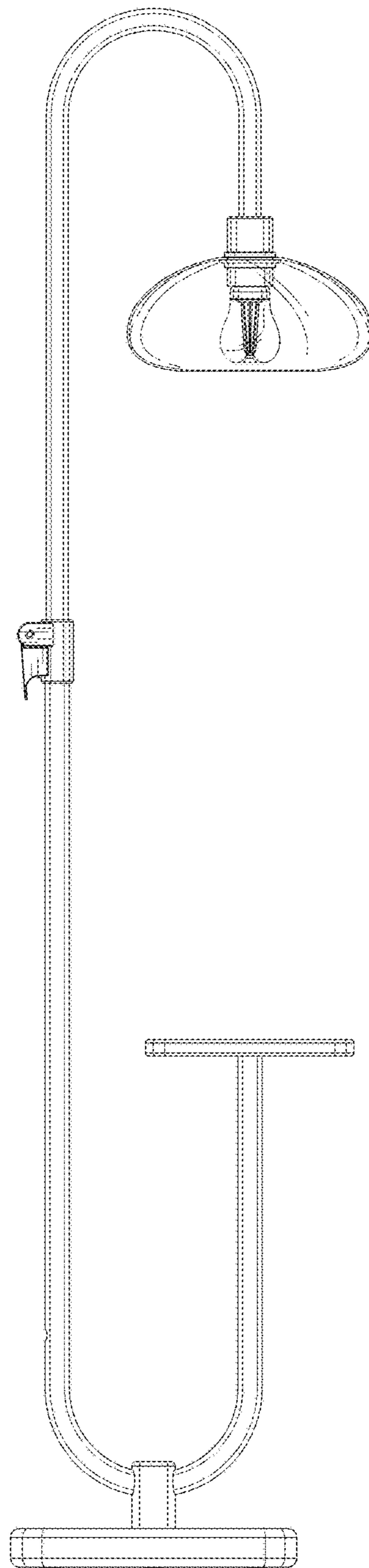


FIG. 3

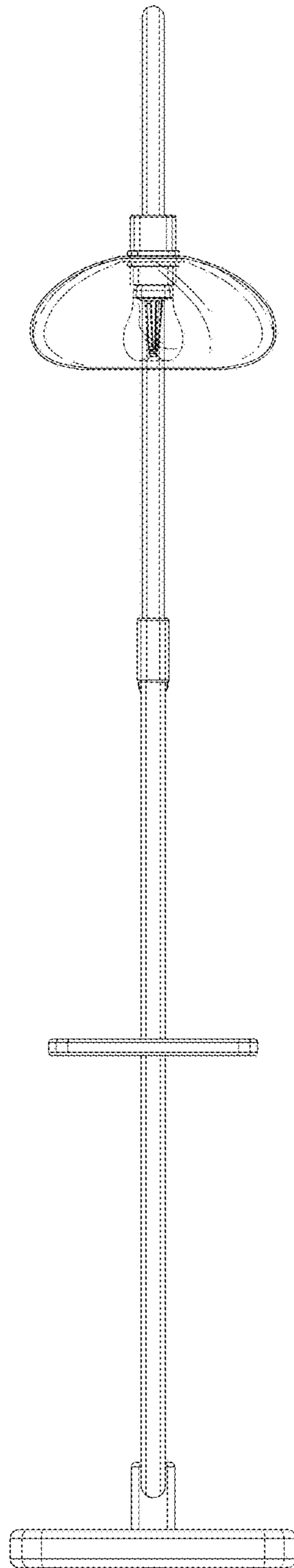


FIG. 4

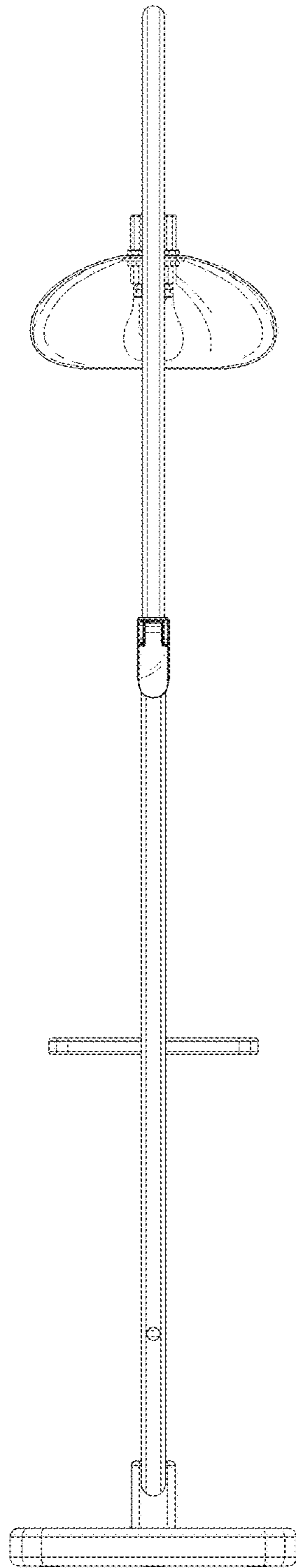


FIG. 5

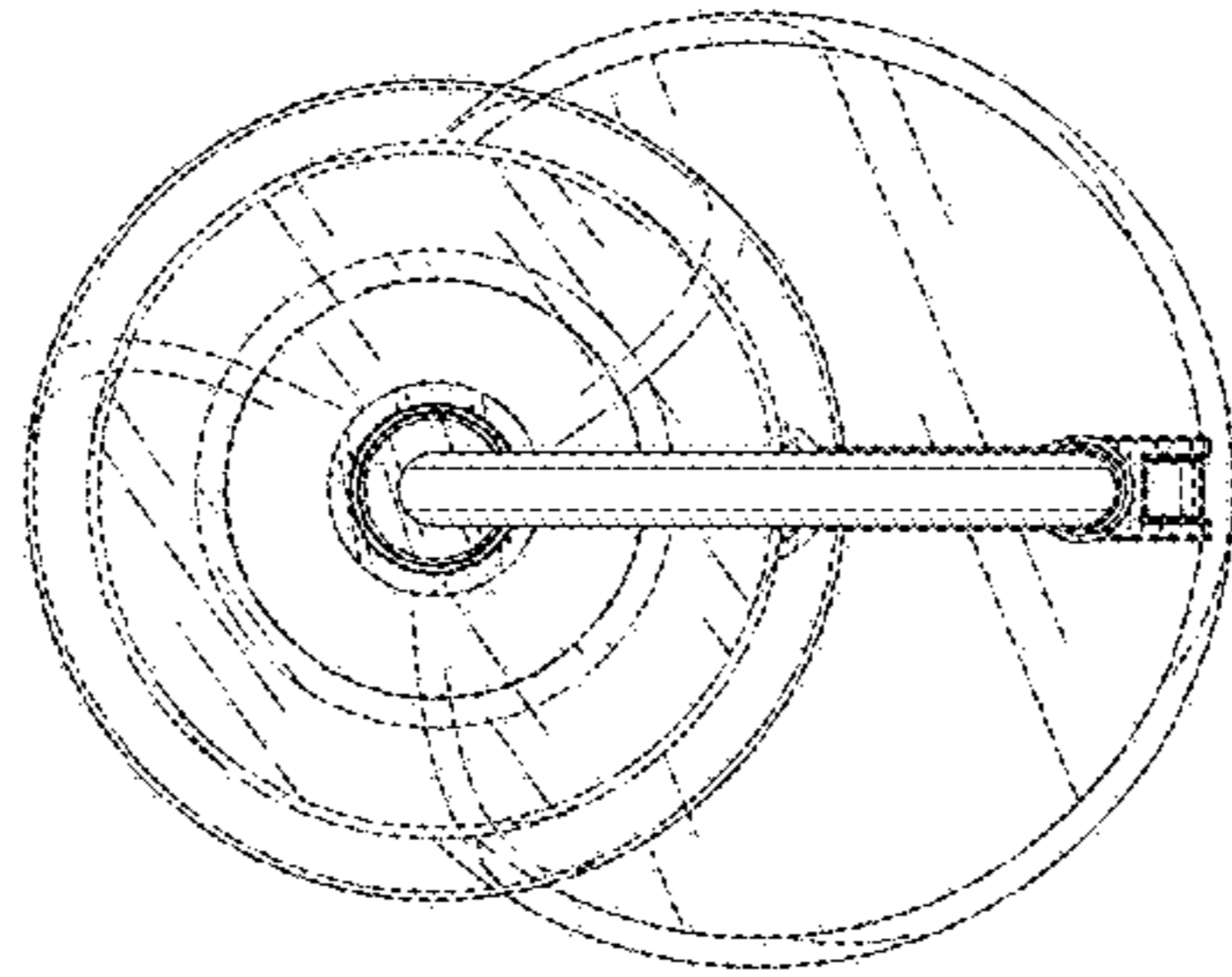


FIG. 6

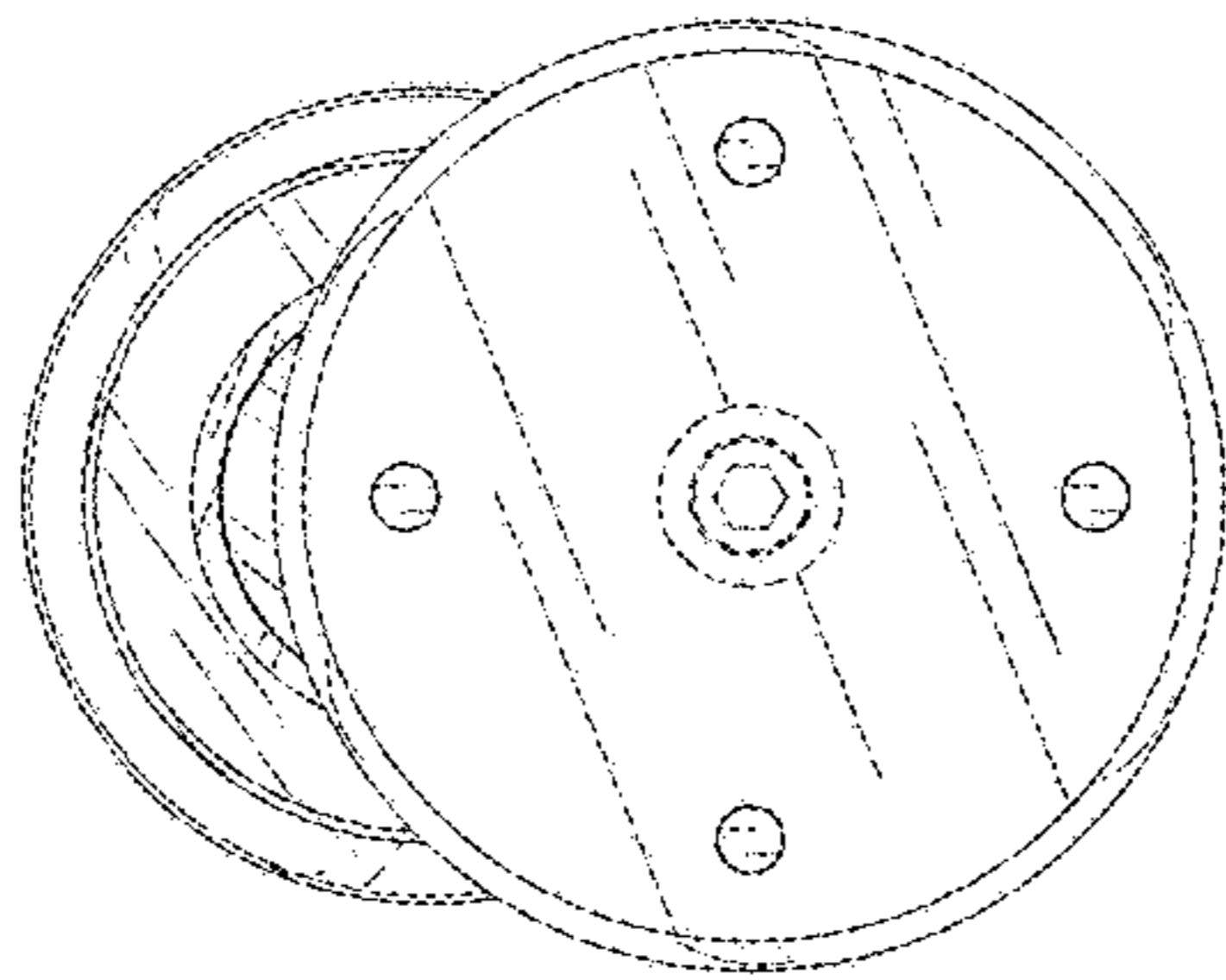


FIG. 7