



US00D863637S

(12) **United States Design Patent** (10) **Patent No.:** **US D863,637 S**
Pierce (45) **Date of Patent:** **** *Oct. 15, 2019**

(54) **PENLIGHT GRIP**

(71) Applicant: **Joshua Thomas Pierce**, Grayslake, IL (US)

(72) Inventor: **Joshua Thomas Pierce**, Grayslake, IL (US)

(73) Assignee: **Klein Tools, Inc.**, Lincolnshire, IL (US)

(*) Notice: This patent is subject to a terminal disclaimer.

(**) Term: **15 Years**

(21) Appl. No.: **29/573,872**

(22) Filed: **Aug. 10, 2016**

(51) **LOC (12) Cl.** **26-02**

(52) **U.S. Cl.**
USPC **D26/49**

(58) **Field of Classification Search**
USPC D26/37, 46, 38, 49, 51; D22/108, 117; D16/132; D8/107, 303
CPC F21L 2003/00; F21L 4/00; F21L 4/005; F21L 4/02; F21L 4/025; F21L 4/027; F21L 4/04; F21L 4/08; F21L 2005/00; F21L 7/00; F21L 11/00; F21L 13/00; F21L 13/04; F21L 13/08; F21L 14/02; F21L 17/00; F21L 19/00; B25G 1/00; B25G 1/10; B25G 1/102
See application file for complete search history.

(56) **References Cited**

U.S. PATENT DOCUMENTS

D345,685 S *	4/1994	Lin	D8/303
D482,591 S *	11/2003	Lisle	D8/107
D557,844 S *	12/2007	Shiu	D26/44
D560,012 S *	1/2008	Liu	D26/49
D564,116 S *	3/2008	Linardos	D26/49
D565,220 S *	3/2008	Galli	D26/49
D577,843 S *	9/2008	Couture	D26/49

D577,844 S *	9/2008	Shiu	D26/49
D578,236 S *	10/2008	Dalton	D26/49
D596,329 S *	7/2009	Galli	D26/49
D601,286 S *	9/2009	Chen	D26/49
D601,737 S *	10/2009	Swan	D26/49
D624,150 S *	9/2010	Trybulski	D22/199
D655,027 S *	2/2012	Milz	D26/49
D688,338 S *	8/2013	Bisson	D21/662
D691,015 S *	10/2013	Hyma	D8/83

(Continued)

Primary Examiner — Lakiya G Rogers

Assistant Examiner — Carissa C Fitts

(74) *Attorney, Agent, or Firm* — Leydig, Voit & Mayer, Ltd.

(57) **CLAIM**

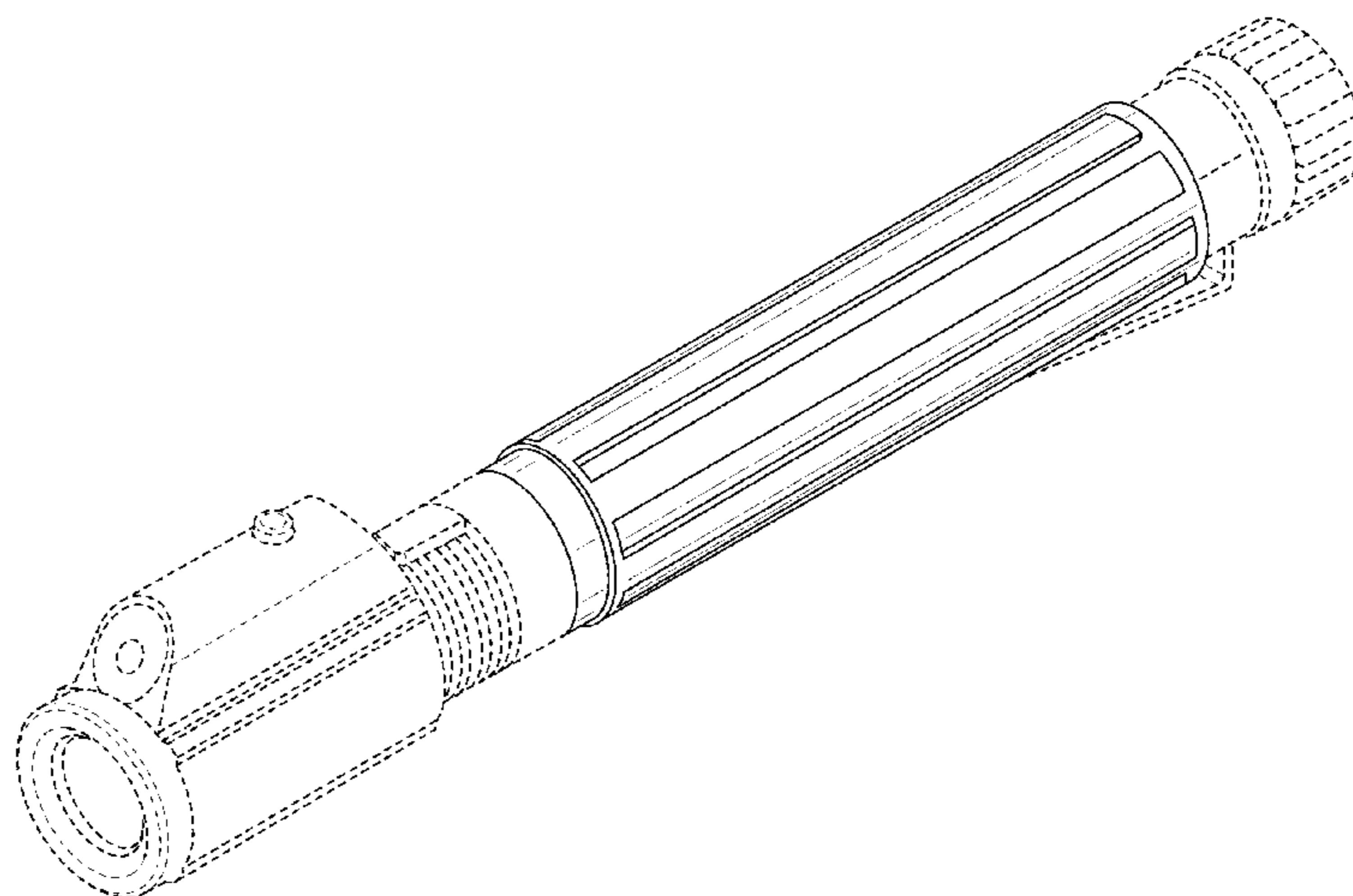
The ornamental design for a penlight grip, as shown and described.

DESCRIPTION

FIG. 1 is a top right front side perspective view of a penlight grip having the inventive design;
FIG. 2 is a bottom right rear side perspective view of the penlight grip shown in FIG. 1;
FIG. 3 is a left side orthogonal view of the penlight grip shown in FIG. 1;
FIG. 4 is a top side orthogonal view of the penlight grip shown in FIG. 1;
FIG. 5 is a right side orthogonal view of the penlight grip shown in FIG. 1;
FIG. 6 is a bottom side orthogonal view of the penlight grip shown in FIG. 1;
FIG. 7 is a front side orthogonal view of the penlight grip shown in FIG. 1; and,
FIG. 8 is a rear side orthogonal view of the penlight grip shown in FIG. 1.

The shading lines in the drawings show contour and are not intended to indicate surface orientation. The broken lines show portions of the article not claimed and form no part of the claimed design.

1 Claim, 7 Drawing Sheets



(56)

References Cited

U.S. PATENT DOCUMENTS

D717,480	S	*	11/2014	Hsu	D26/49
D717,481	S	*	11/2014	Yong	D26/49
D734,520	S	*	7/2015	Ma	D26/49
D745,732	S	*	12/2015	Inskeep	D26/49
D754,899	S	*	4/2016	Cooper	D26/44
D765,295	S	*	8/2016	McLennan F21V 21/0885	D26/49
D772,455	S	*	11/2016	Chen	D26/38
D772,456	S	*	11/2016	Chen	D26/49
D774,229	S	*	12/2016	Prieto	D26/49
D786,466	S	*	5/2017	Prieto	D26/49
2018/0215016	A1	*	8/2018	Allen A61M 5/347	

* cited by examiner

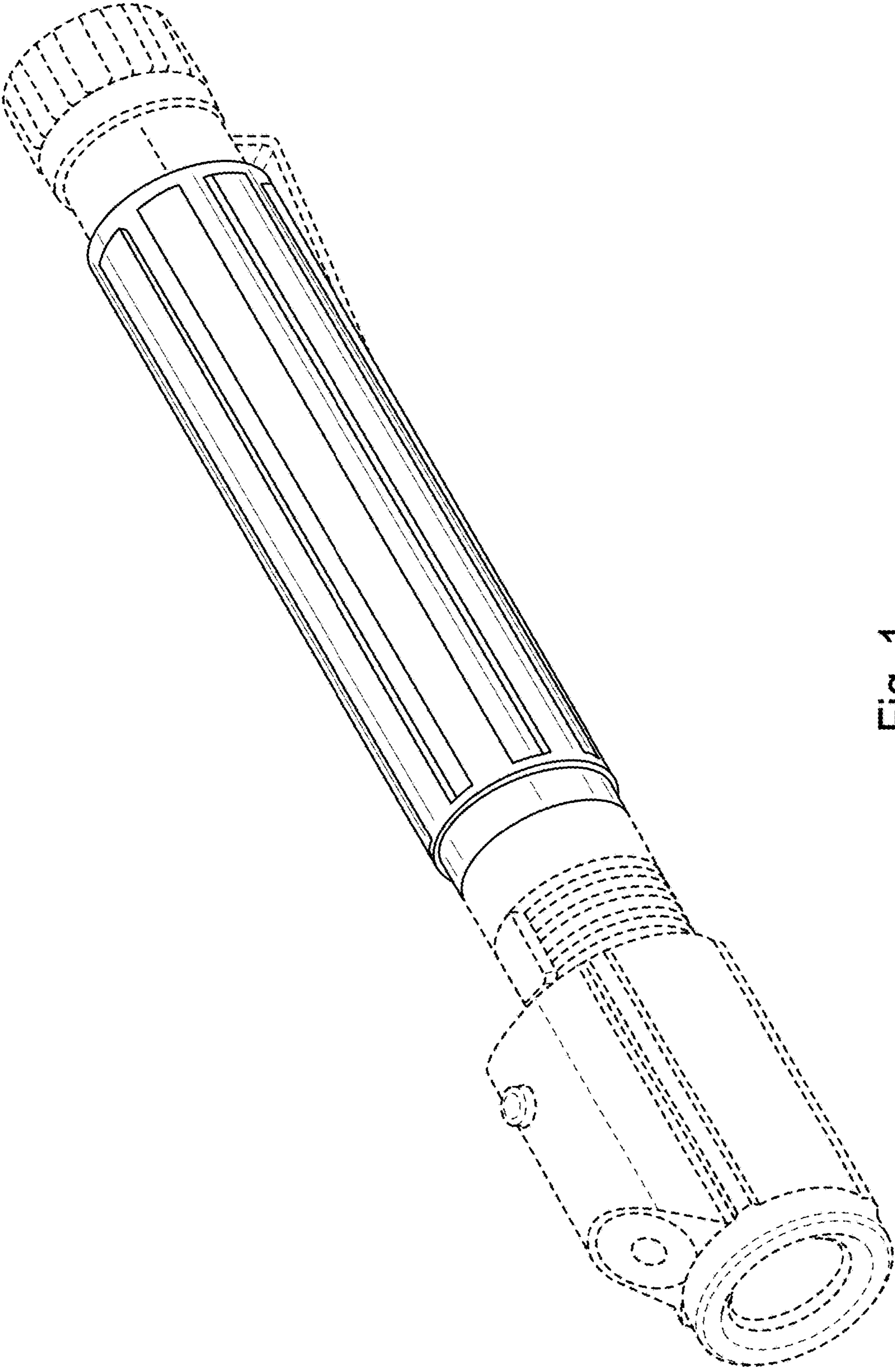


Fig. 1

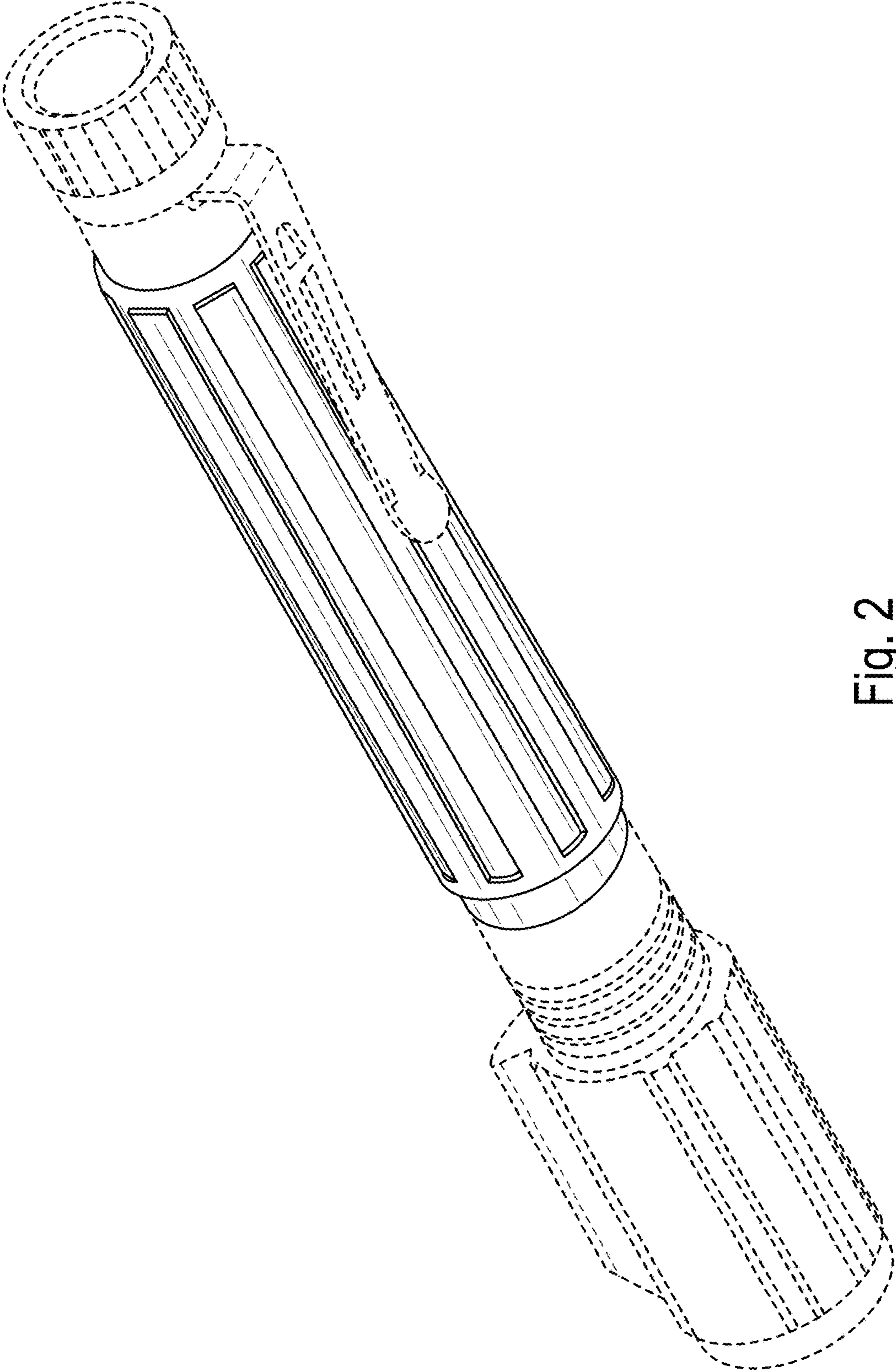


Fig. 2

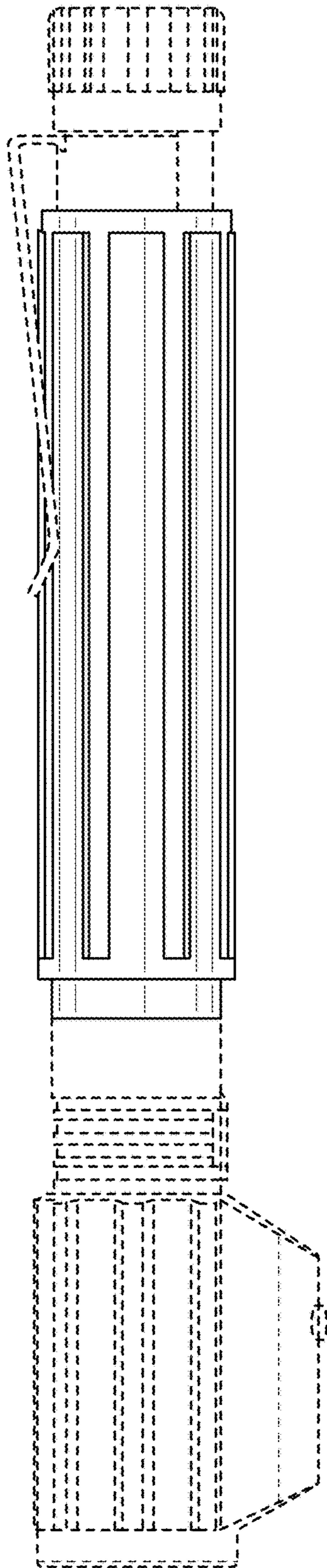


Fig. 3

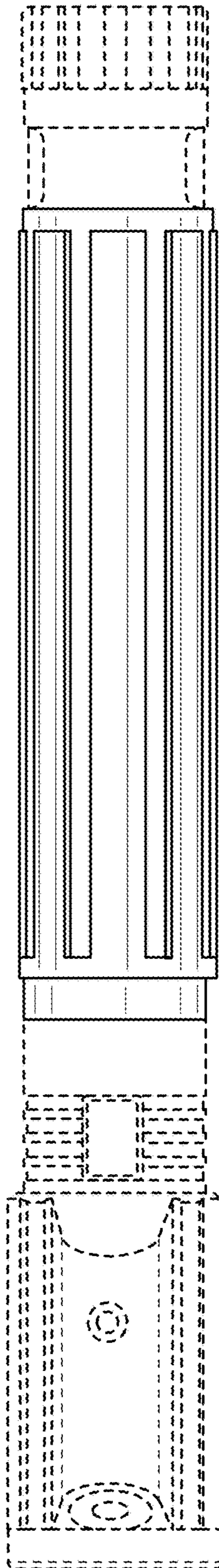


Fig. 4

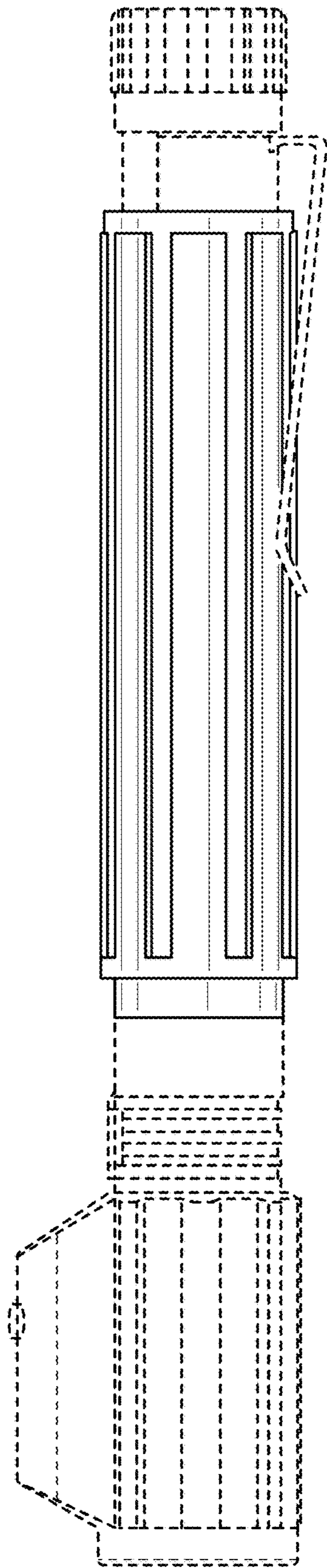


Fig. 5

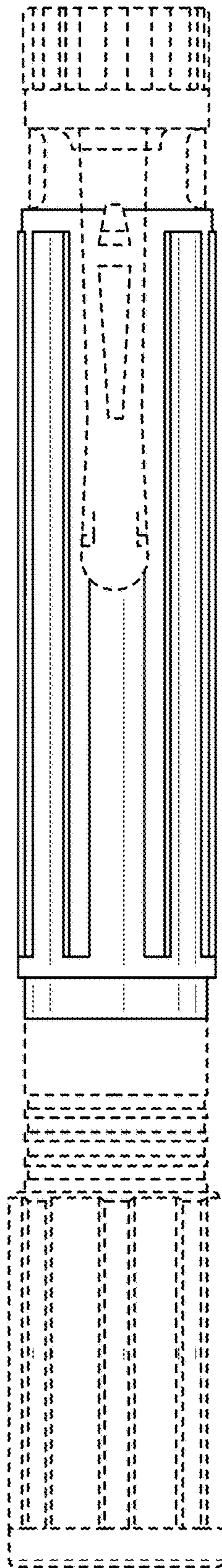


Fig. 6

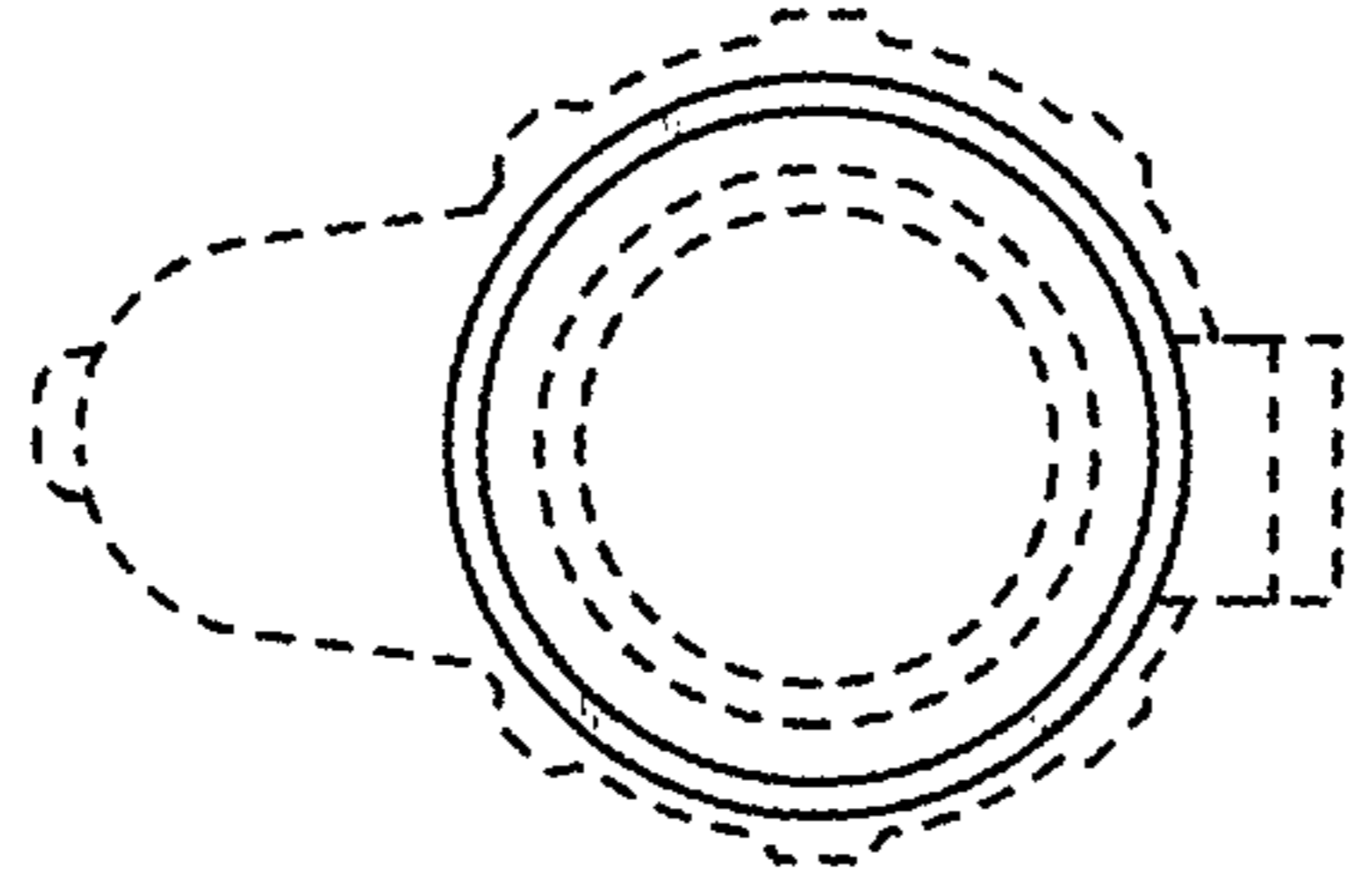


Fig. 8

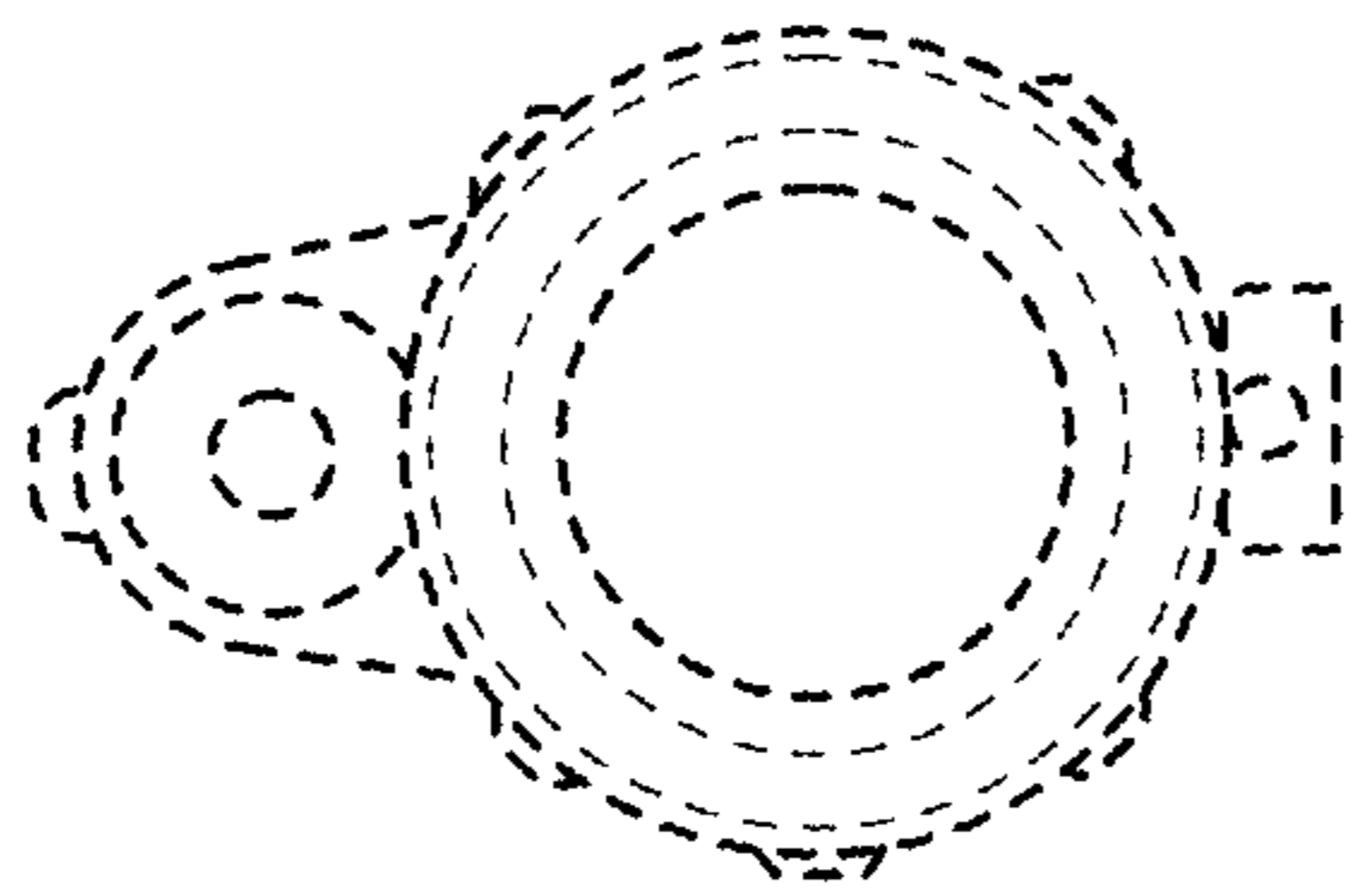


Fig. 7