



US00D863636S

(12) **United States Design Patent** (10) **Patent No.:** **US D863,636 S**
Soo et al. (45) **Date of Patent:** **** Oct. 15, 2019**

(54) **FLASHLIGHT**
(71) Applicant: **SUREFIRE LLC**, Fountain Valley, CA (US)
(72) Inventors: **Alexander Jeffrey Soo**, Irvine, CA (US); **Loc Nguyen**, Santa Ana, CA (US)
(73) Assignee: **SUREFIRE LLC**, Fountain Valley, CA (US)
(**) Term: **15 Years**

D658,797 S * 5/2012 Bayat D26/46
D670,844 S * 11/2012 von Waldthausen D26/46
D676,993 S * 2/2013 Kotsis D26/46
D687,583 S * 8/2013 von Waldthausen D26/46
D693,041 S * 11/2013 van der Lande D26/46
D693,951 S * 11/2013 Rugendyke D26/44
D711,028 S * 8/2014 Pritchett D26/37
D713,982 S * 9/2014 Tompkin D26/49
D746,500 S * 12/2015 Brown D26/49
D765,899 S * 9/2016 Hine D26/49
D777,962 S * 1/2017 Scott D26/38
D790,099 S * 6/2017 Pius D26/46
D794,238 S * 8/2017 Kung D26/49
D808,556 S * 1/2018 Patel D26/46
D817,961 S * 5/2018 Han D14/426
D826,439 S * 8/2018 Ma D26/49

(21) Appl. No.: **29/623,972**
(22) Filed: **Oct. 27, 2017**
(51) **LOC (12) Cl.** **26-02**
(52) **U.S. Cl.**
USPC **D26/46**
(58) **Field of Classification Search**
USPC D26/37-51
CPC F21L 2003/00; F21L 4/00; F21L 4/005;
F21L 4/02; F21L 4/025; F21L 4/027;
F21L 4/04; F21L 4/08; F21L 2005/00;
F21L 7/00; F21L 11/00; F21L 13/00;
F21L 13/04; F21L 13/08; F21L 14/02;
F21L 17/00; F21L 19/00; F21L 25/00
See application file for complete search history.

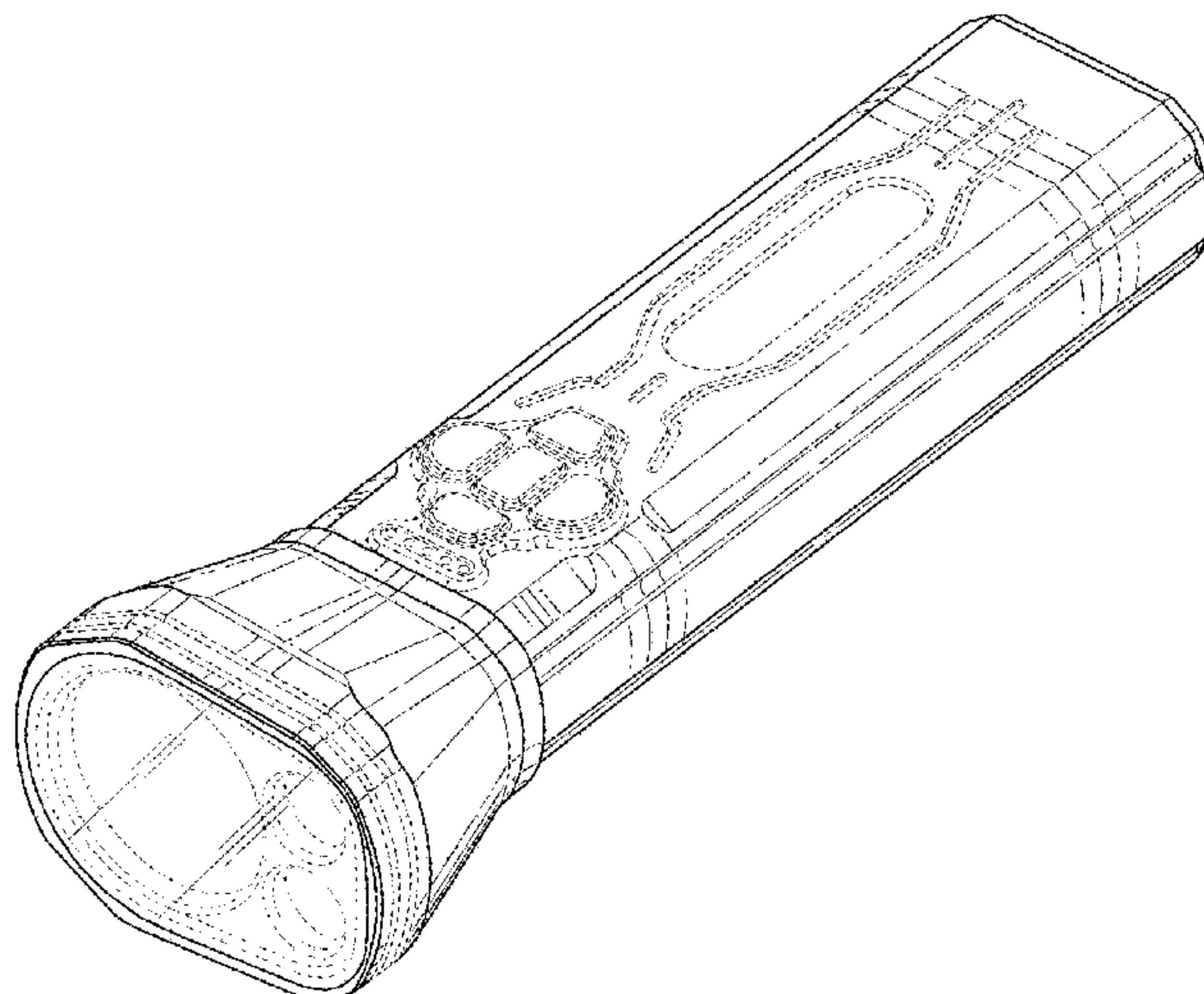
* cited by examiner
Primary Examiner — Lakiya G Rogers
Assistant Examiner — Carissa C Fitts
(74) *Attorney, Agent, or Firm* — Sheppard, Mullin, Richter & Hampton LLC

(56) **References Cited**
U.S. PATENT DOCUMENTS
D296,012 S * 5/1988 Petterson D26/46
D480,826 S * 10/2003 Englert D26/49
D507,370 S * 7/2005 Marshall D26/37
6,926,422 B2 * 8/2005 Bruwer F21L 4/027
362/157
D646,007 S * 9/2011 Tompkin D26/46

(57) **CLAIM**
We claim the ornamental design for a flashlight, as shown and described.

DESCRIPTION
FIG. 1 is a top, front and left side perspective view of an ornamental design for a flashlight;
FIG. 2 is a front elevational view thereof;
FIG. 3 is a back elevational view thereof;
FIG. 4 is a left elevational view thereof;
FIG. 5 is a right elevational view thereof;
FIG. 6 is a top plan view thereof; and,
FIG. 7 is a bottom plan view thereof.
The broken lines illustrate portions of the flashlight that form no part of the claimed design.

1 Claim, 7 Drawing Sheets



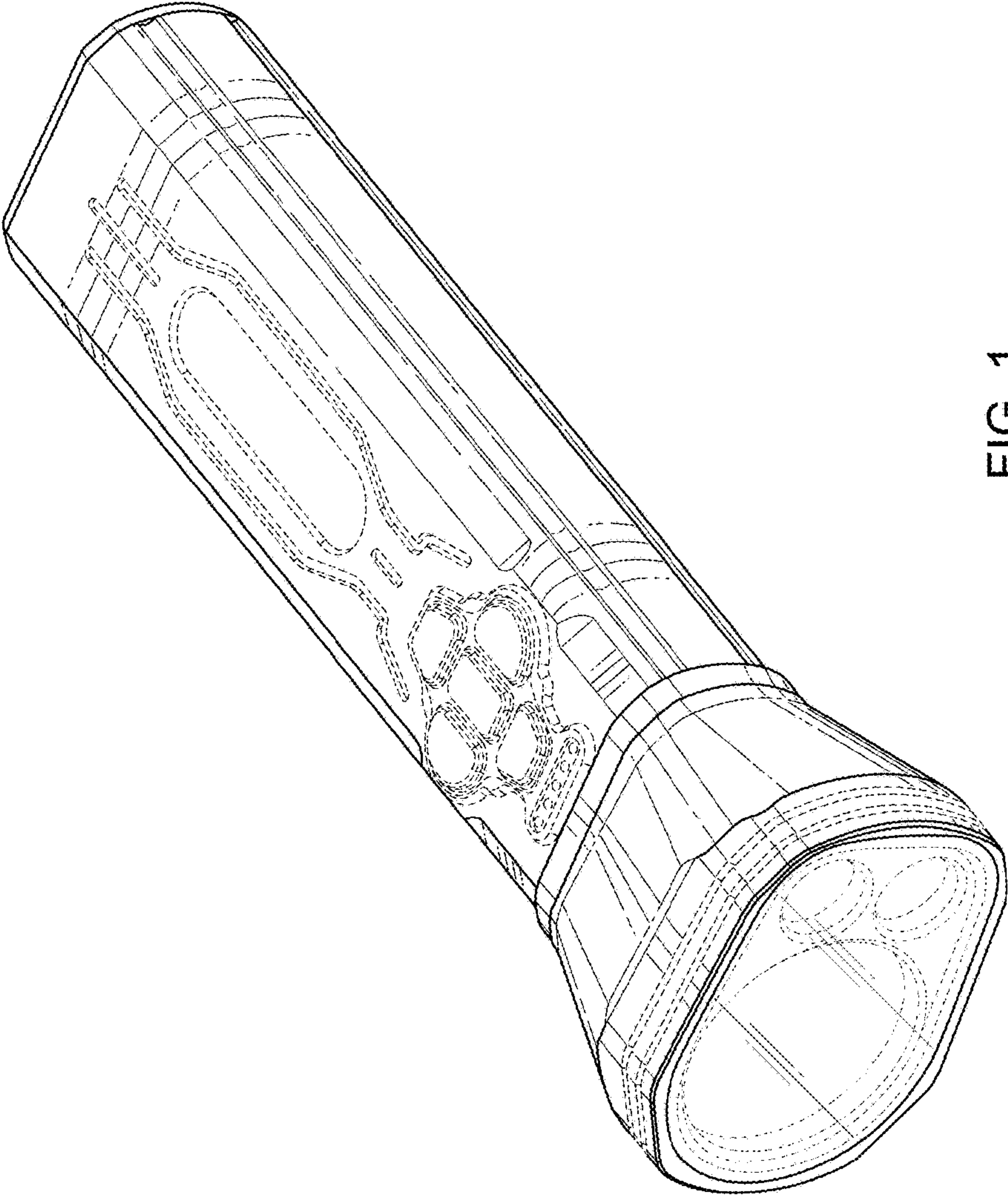


FIG. 1

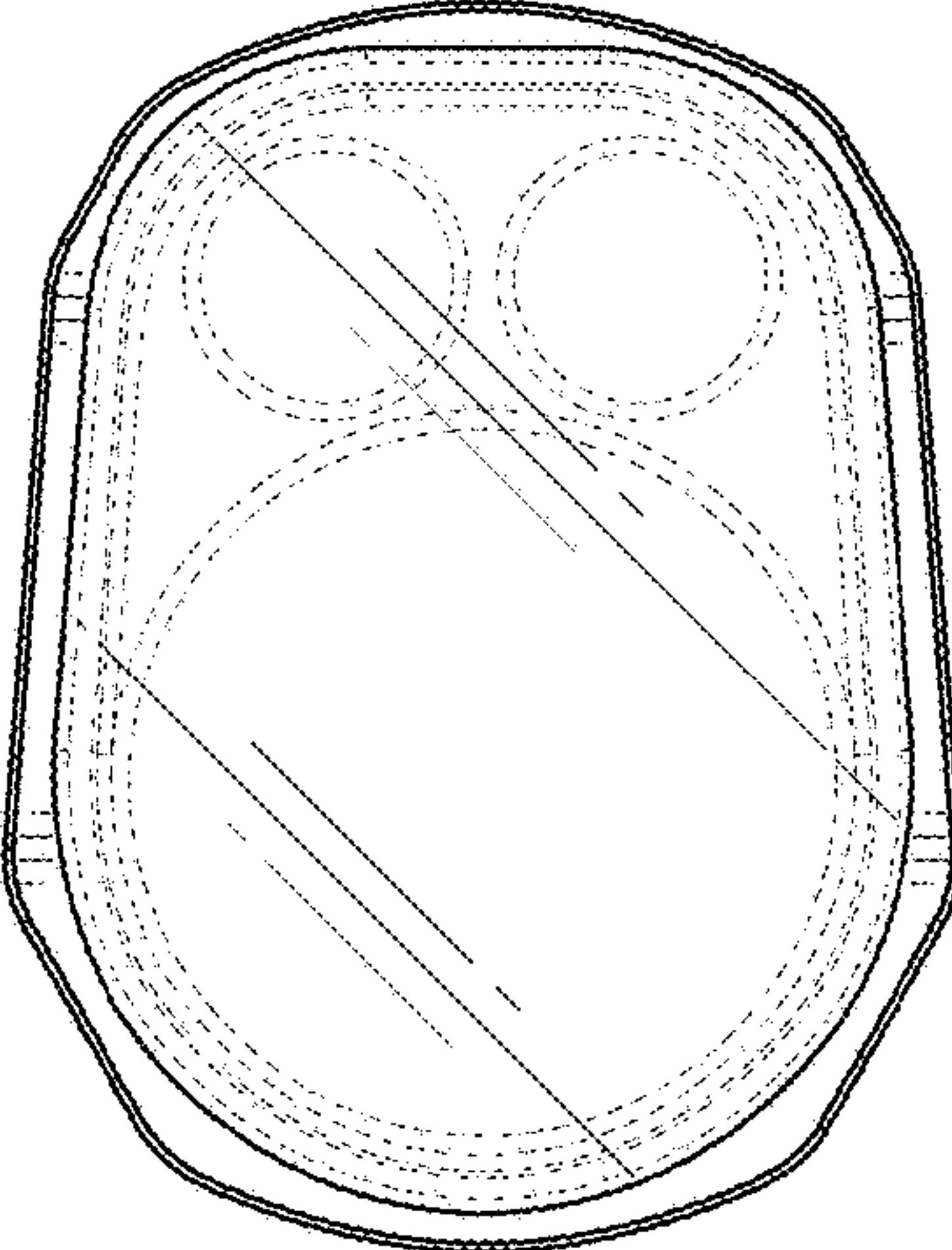


FIG. 2

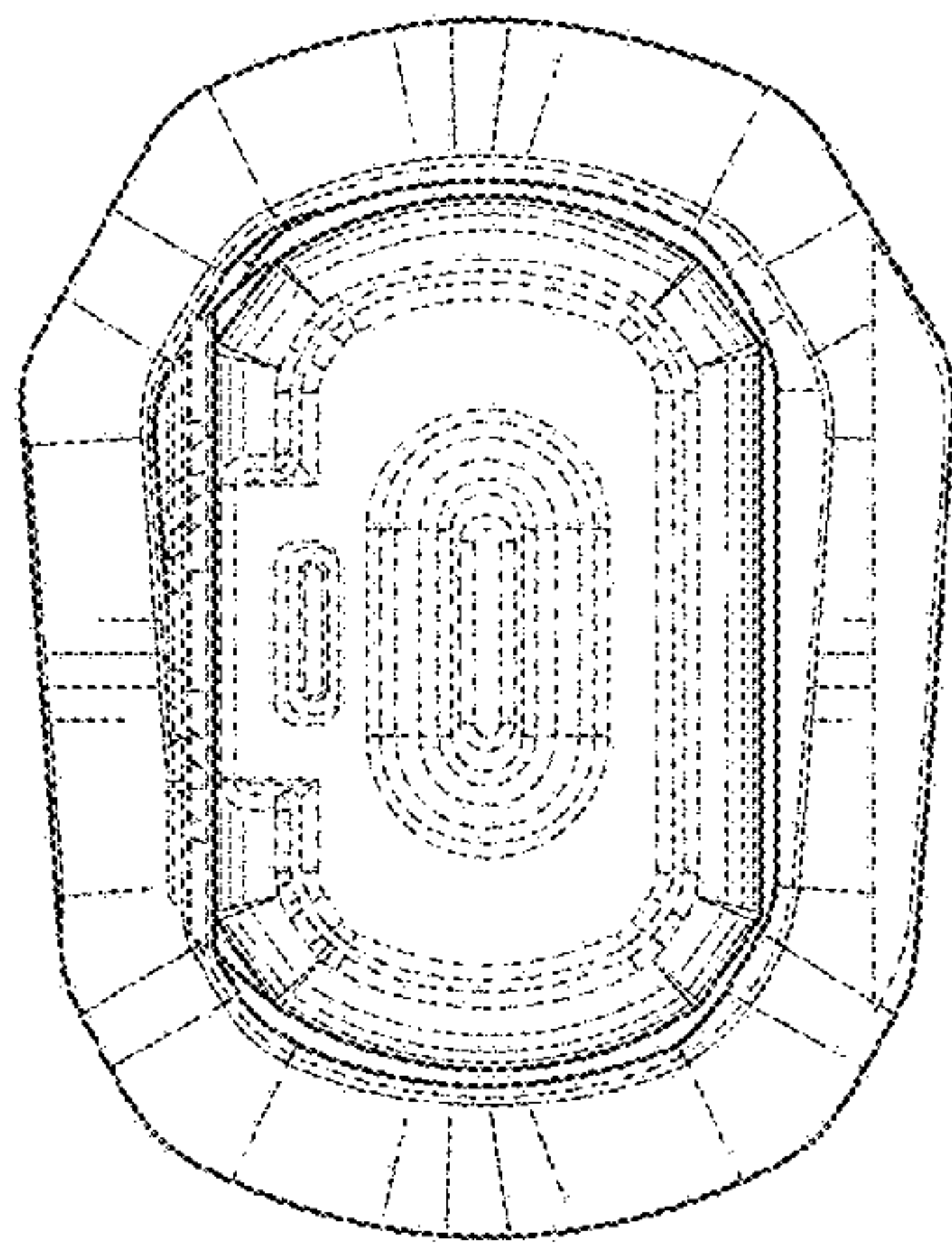


FIG. 3

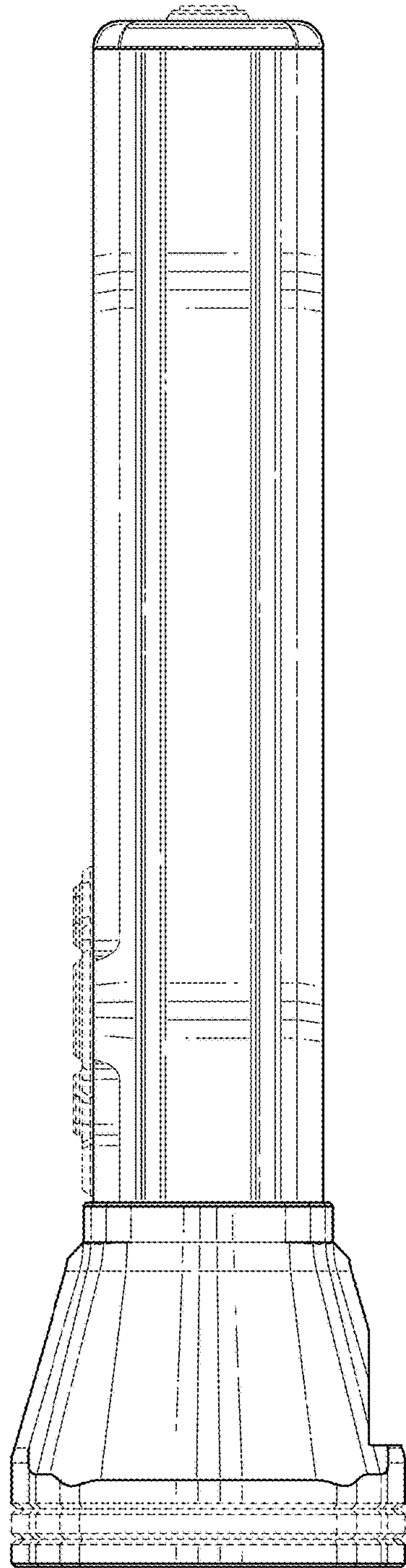


FIG. 4

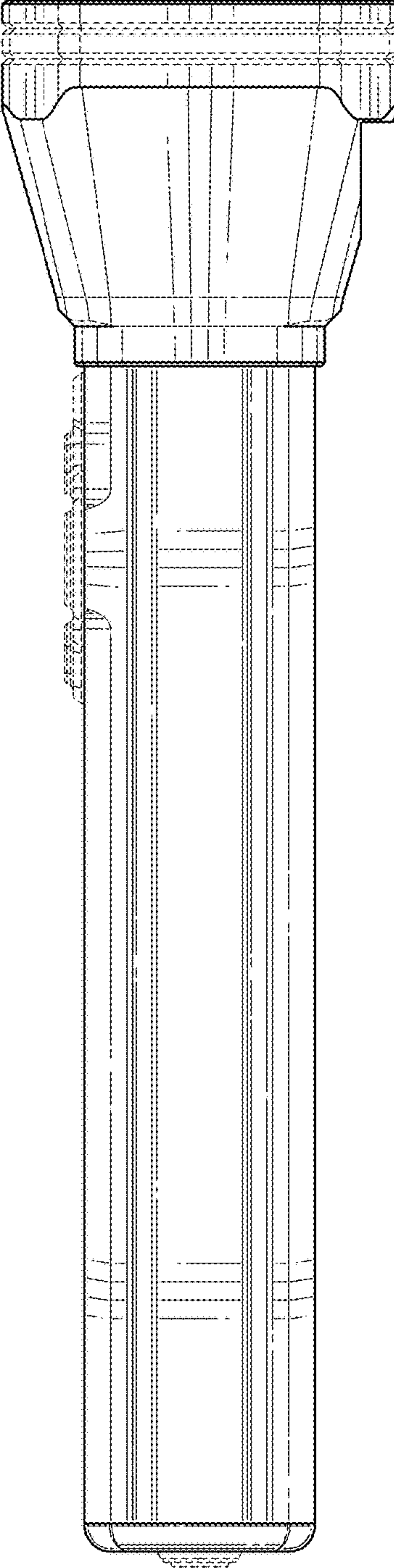


FIG. 5

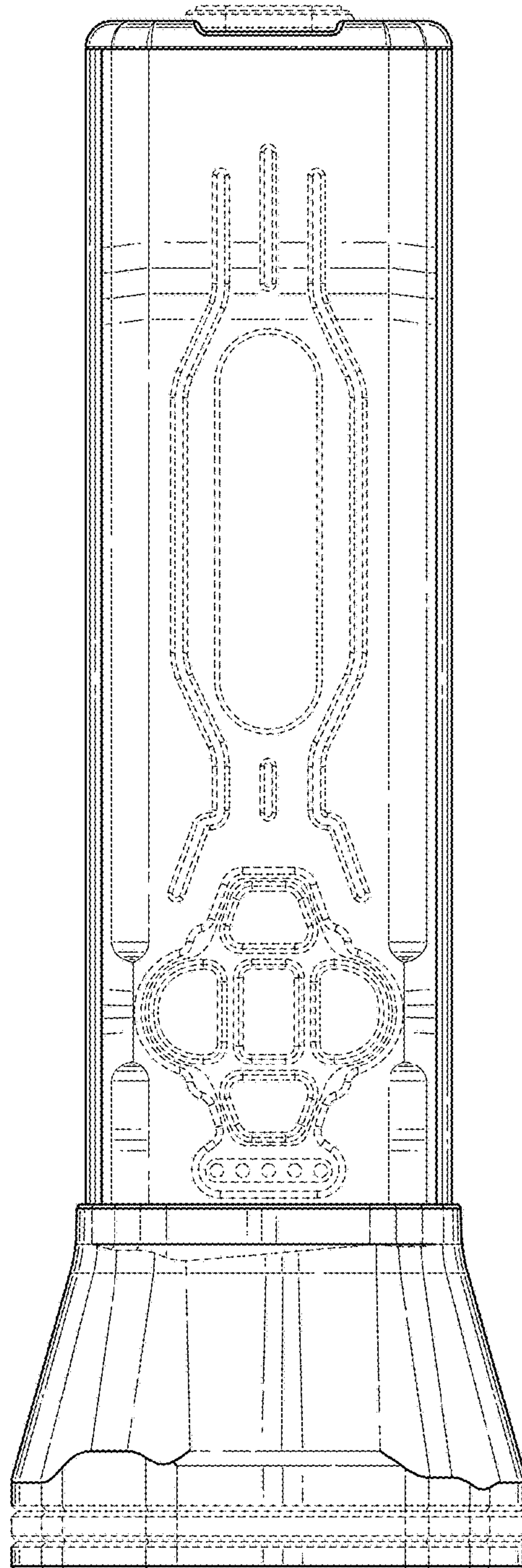


FIG. 6

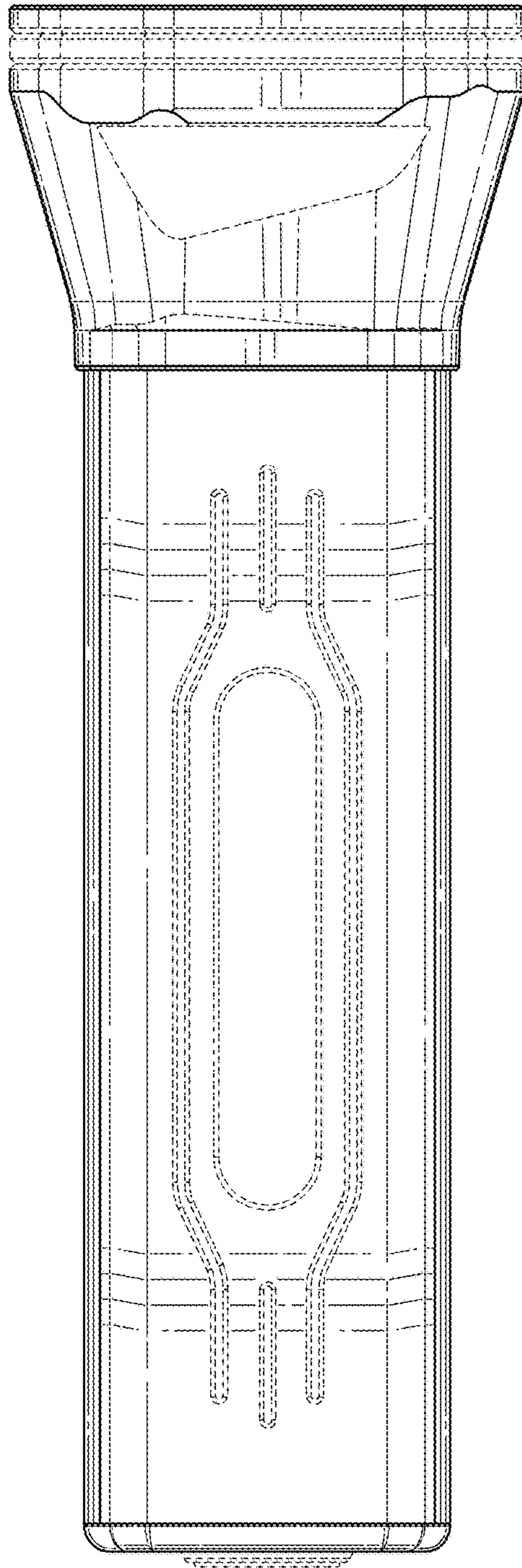


FIG. 7