



US00D863635S

(12) **United States Design Patent** (10) **Patent No.:** **US D863,635 S**  
**Soo et al.** (45) **Date of Patent:** **\*\* Oct. 15, 2019**

(54) **FLASHLIGHT**  
(71) Applicant: **SUREFIRE LLC**, Fountain Valley, CA (US)  
(72) Inventors: **Alexander Jeffrey Soo**, Irvine, CA (US); **Loc Nguyen**, Santa Ana, CA (US)  
(73) Assignee: **SUREFIRE LLC**, Fountain Valley, CA (US)  
(\*\*) Term: **15 Years**

D658,797 S \* 5/2012 Bayat ..... D26/46  
D670,844 S \* 11/2012 von Waldthausen ..... D26/46  
D676,993 S \* 2/2013 Kotsis ..... D26/46  
D687,583 S \* 8/2013 von Waldthausen ..... D26/46  
D693,041 S \* 11/2013 van der Lande ..... D26/46  
D693,951 S \* 11/2013 Rugendyke ..... D26/44  
D711,028 S \* 8/2014 Pritchett ..... D26/37  
D713,982 S \* 9/2014 Tompkin ..... D26/49  
D746,500 S \* 12/2015 Brown ..... D26/49  
D765,899 S \* 9/2016 Hine ..... D26/49  
D777,962 S \* 1/2017 Scott ..... D26/38  
D790,099 S \* 6/2017 Pius ..... D26/46  
D794,238 S \* 8/2017 Kung ..... D26/49  
D808,556 S \* 1/2018 Patel ..... D26/46  
D817,961 S \* 5/2018 Han ..... D14/426  
D826,439 S \* 8/2018 Ma ..... D26/49

(21) Appl. No.: **29/623,971**  
(22) Filed: **Oct. 27, 2017**  
(51) **LOC (12) Cl.** ..... **26-02**  
(52) **U.S. Cl.**  
USPC ..... **D26/46**  
(58) **Field of Classification Search**  
USPC ..... D26/37-51  
CPC ..... F21L 2003/00; F21L 4/00; F21L 4/005;  
F21L 4/02; F21L 4/025; F21L 4/027;  
F21L 4/04; F21L 4/08; F21L 2005/00;  
F21L 7/00; F21L 11/00; F21L 13/00;  
F21L 13/04; F21L 13/08; F21L 14/02;  
F21L 17/00; F21L 19/00; F21L 25/00  
See application file for complete search history.

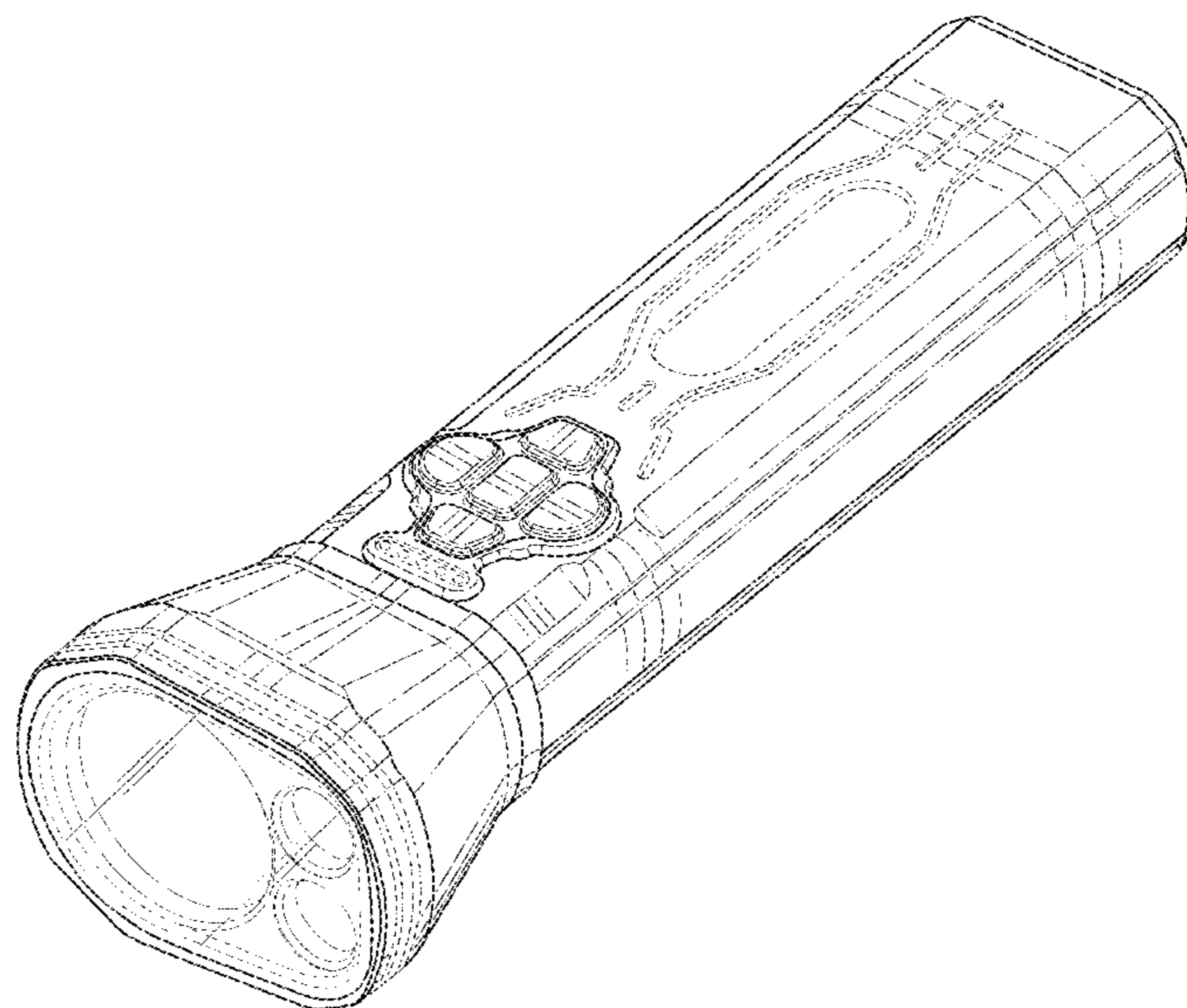
\* cited by examiner  
*Primary Examiner* — Lakiya G Rogers  
*Assistant Examiner* — Carissa C Fitts  
(74) *Attorney, Agent, or Firm* — Sheppard, Mullin, Richter & Hampton LLP

(56) **References Cited**  
U.S. PATENT DOCUMENTS  
D296,012 S \* 5/1988 Petterson ..... D26/46  
D480,826 S \* 10/2003 Englert ..... D26/49  
D507,370 S \* 7/2005 Marshall ..... D26/37  
6,926,422 B2 \* 8/2005 Bruwer ..... F21L 4/027  
362/157  
D646,007 S \* 9/2011 Tompkin ..... D26/46

(57) **CLAIM**  
We claim the ornamental design for a flashlight, as shown and described.

**DESCRIPTION**  
FIG. 1 is a top, front and left side perspective view of an ornamental design for a flashlight;  
FIG. 2 is a front elevational view thereof;  
FIG. 3 is a back elevational view thereof;  
FIG. 4 is a left elevational view thereof;  
FIG. 5 is a right elevational view thereof;  
FIG. 6 is a top plan view thereof; and,  
FIG. 7 is a bottom plan view thereof.  
The broken lines illustrate portions of the flashlight that form no part of the claimed design.

**1 Claim, 7 Drawing Sheets**



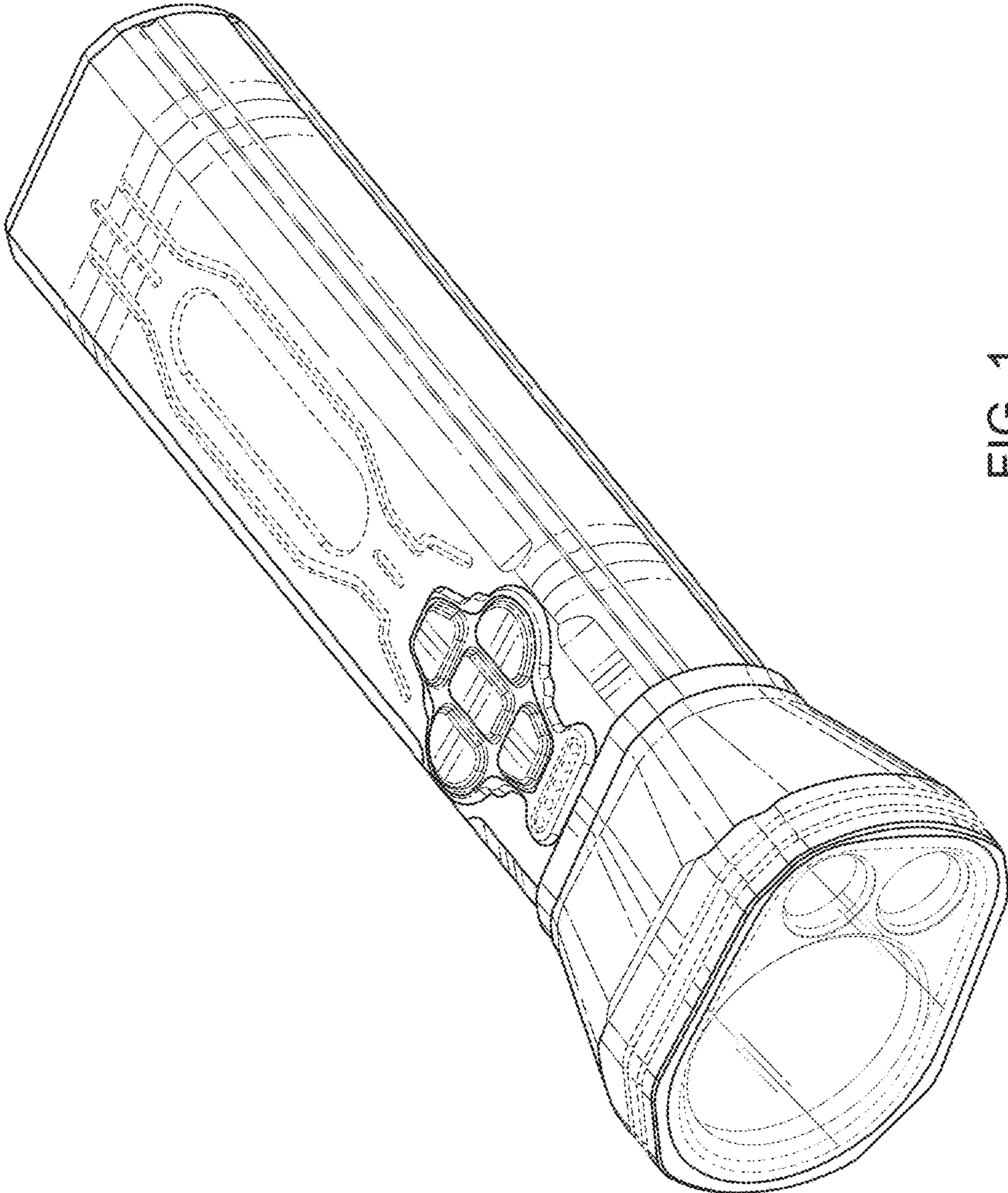


FIG. 1

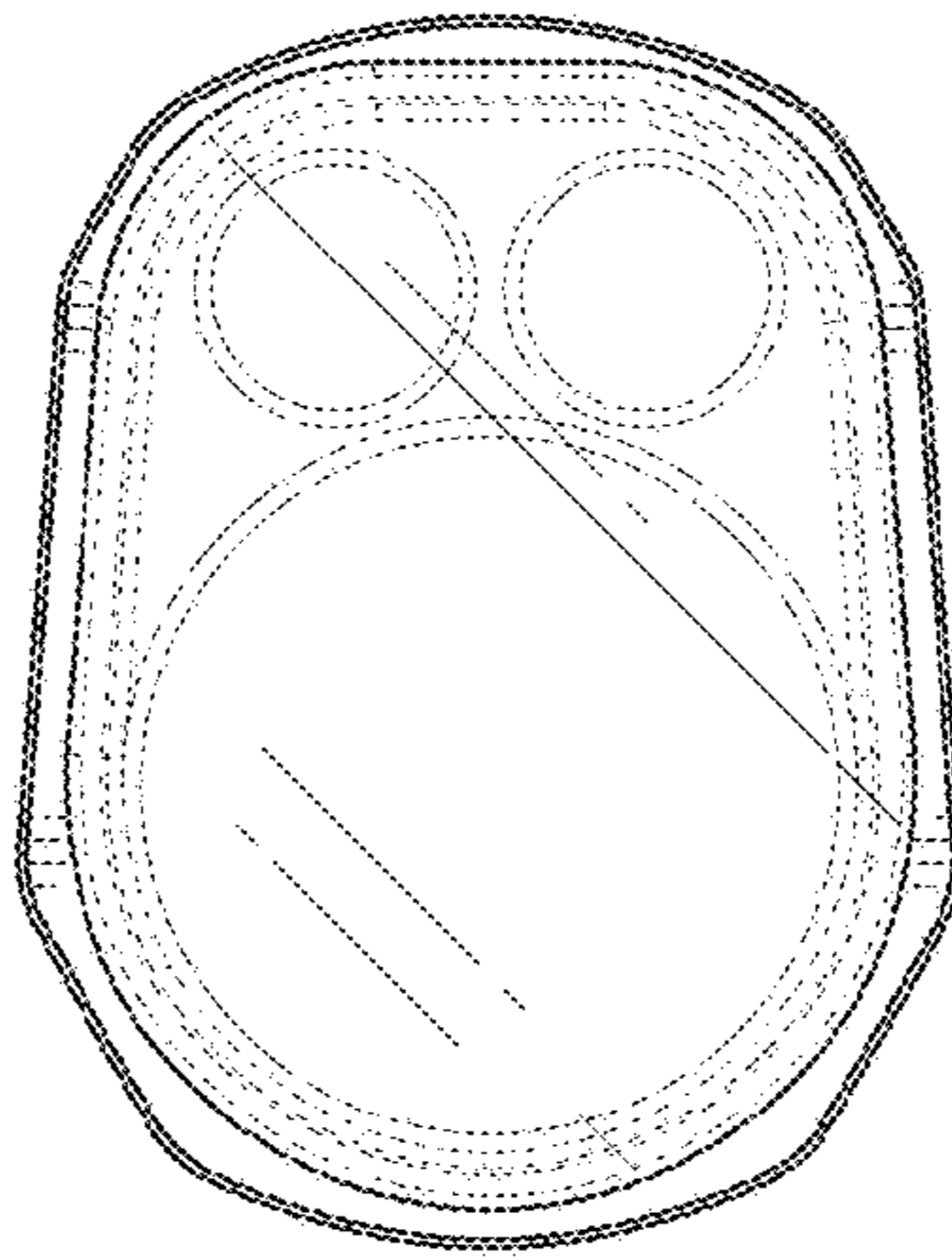


FIG. 2

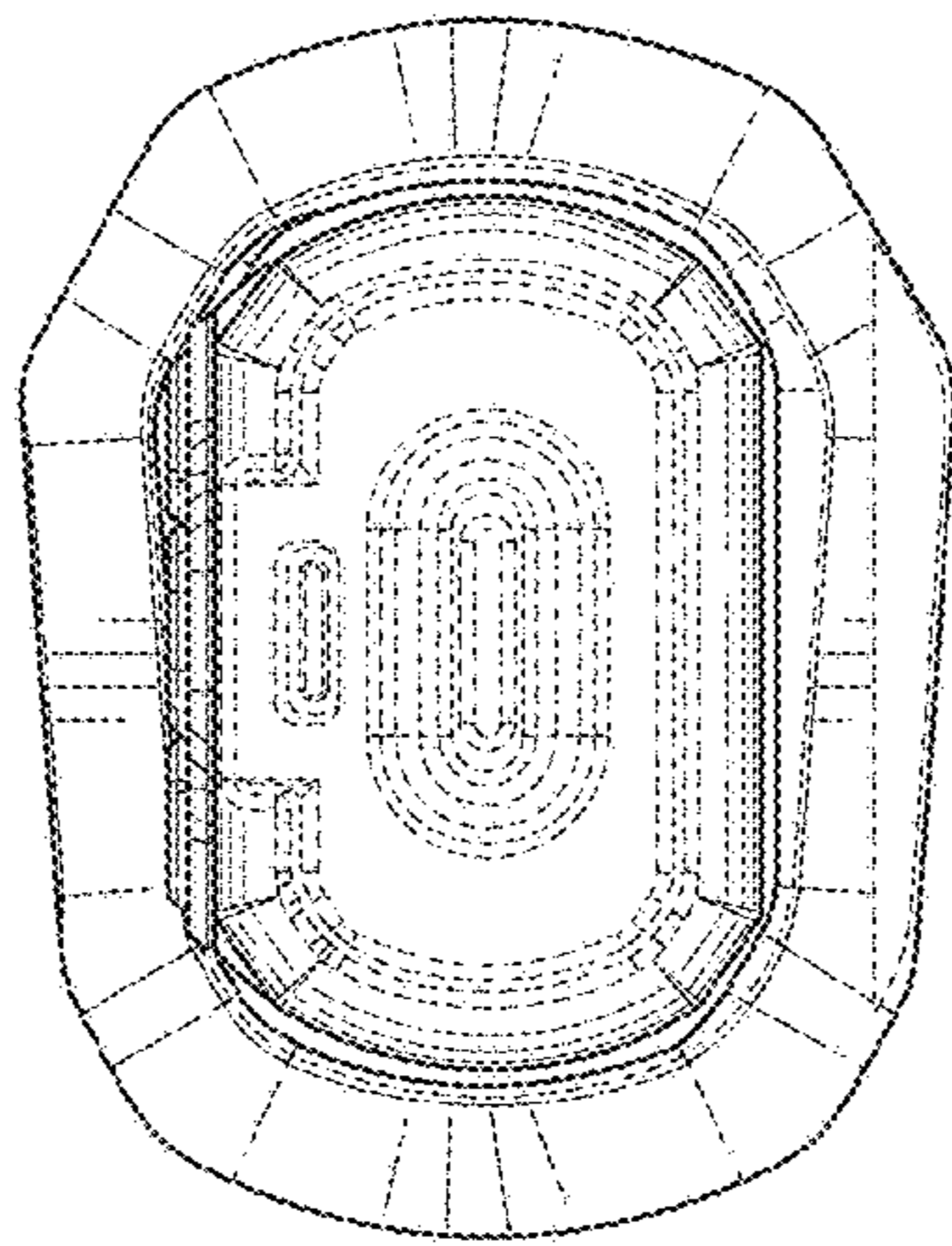


FIG. 3

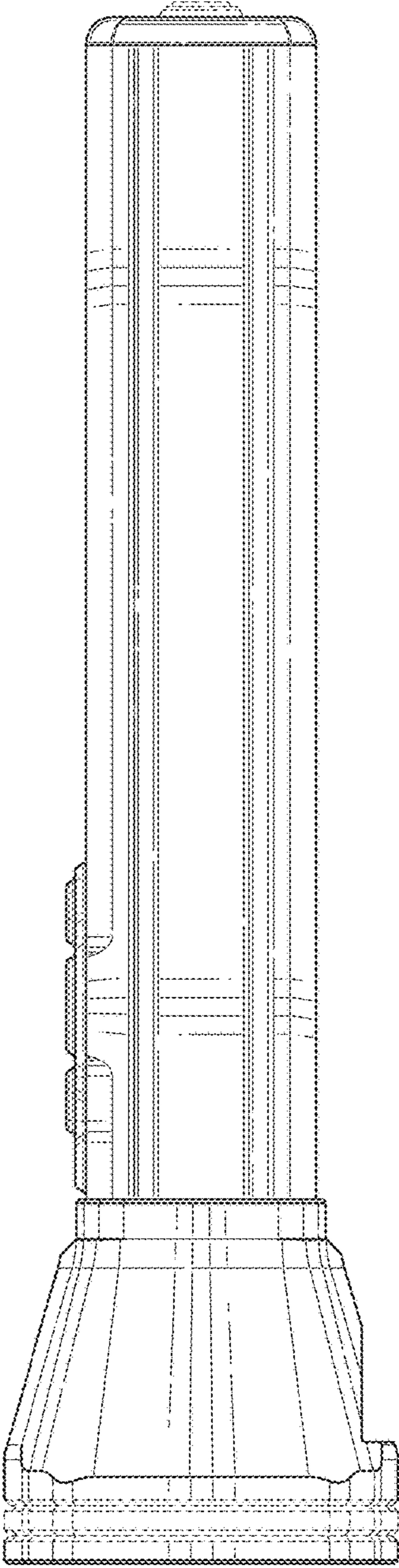


FIG. 4

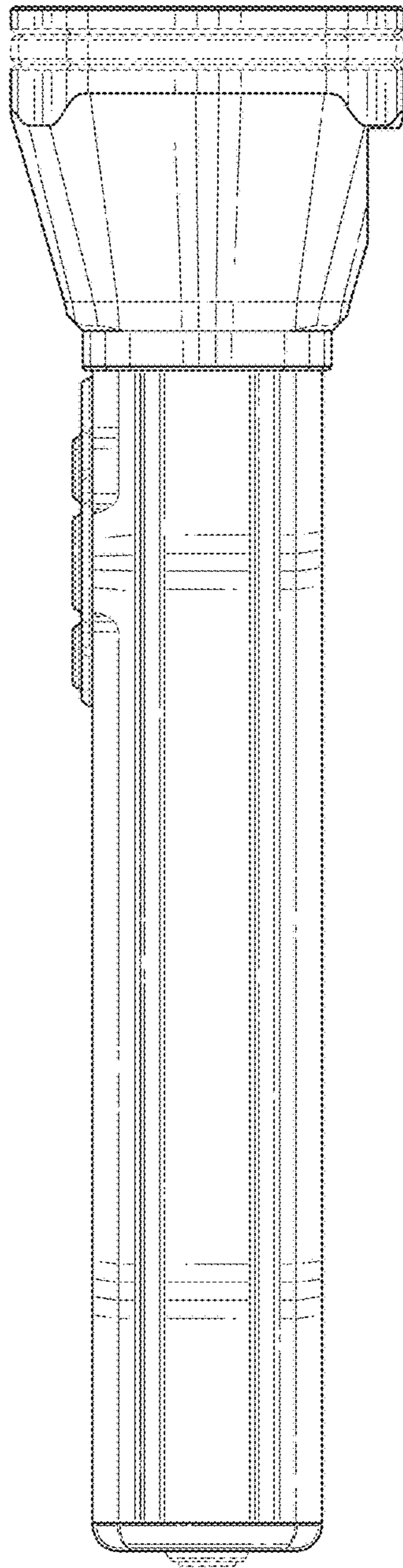


FIG. 5

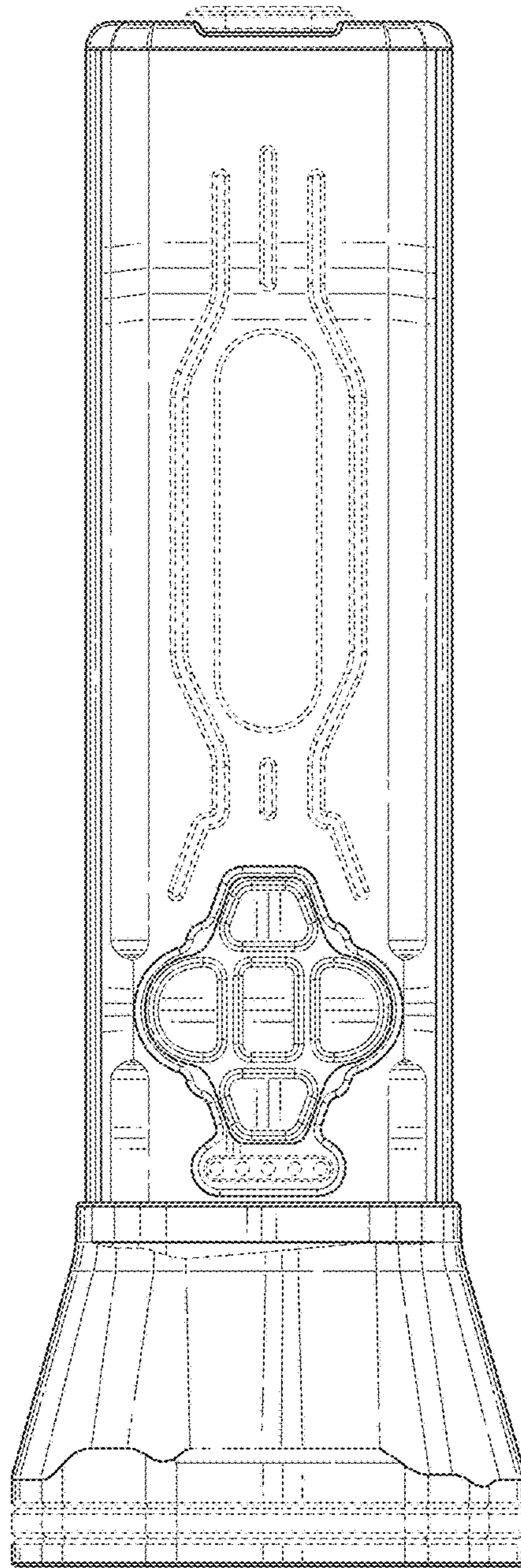


FIG. 6

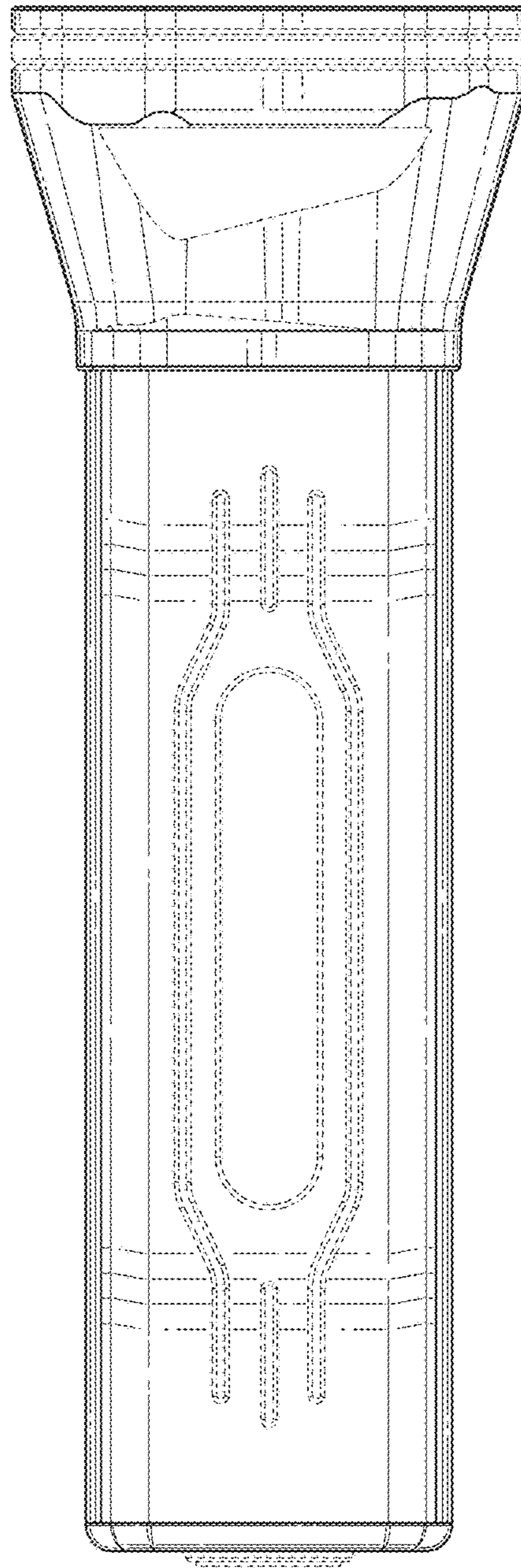


FIG. 7