



US00D863634S

(12) **United States Design Patent**  
**Xu**

(10) **Patent No.:** **US D863,634 S**

(45) **Date of Patent:** **\*\* Oct. 15, 2019**

(54) **LAMP**

(71) Applicant: **Guomin Xu**, Fujian (CN)

(72) Inventor: **Guomin Xu**, Fujian (CN)

(\*\*) Term: **15 Years**

(21) Appl. No.: **29/623,413**

(22) Filed: **Oct. 25, 2017**

(51) **LOC (12) Cl.** ..... **26-02**

(52) **U.S. Cl.**  
USPC ..... **D26/41; D26/49**

(58) **Field of Classification Search**  
USPC ..... D26/37-51  
CPC ..... F21L 2003/00; F21L 4/00; F21L 4/005;  
F21L 4/02; F21L 4/025; F21L 4/027;  
F21L 4/04; F21L 4/08; F21L 2005/00;  
F21L 7/00; F21L 11/00; F21L 13/00;  
F21L 13/04; F21L 13/08; F21L 14/02;  
F21L 17/00; F21L 19/00; F21L 25/00  
See application file for complete search history.

(56) **References Cited**

**U.S. PATENT DOCUMENTS**

D483,892 S	*	12/2003	Poon	.....	D26/40
D529,647 S	*	10/2006	Shiu	.....	D26/40
D535,419 S	*	1/2007	Shiu	.....	D26/40
D650,105 S	*	12/2011	Crawford	.....	D26/41
D658,324 S	*	4/2012	Reimann	.....	D26/40
D693,499 S	*	11/2013	Bennett	.....	D26/37
D707,378 S	*	6/2014	Shiu	.....	D26/41
D759,869 S	*	6/2016	Huang	.....	D26/41

D809,688 S	*	2/2018	Christensen	.....	D26/41
D810,979 S	*	2/2018	Krantz	.....	D26/41
D816,250 S	*	4/2018	Wang	.....	D26/41
D818,620 S	*	5/2018	Brown	.....	D26/41
D823,506 S	*	7/2018	Shiu	.....	D26/40

\* cited by examiner

*Primary Examiner* — Lakiya G Rogers

*Assistant Examiner* — Carissa C Fitts

(74) *Attorney, Agent, or Firm* — Law Offices of Steven W. Weinrieb

(57) **CLAIM**

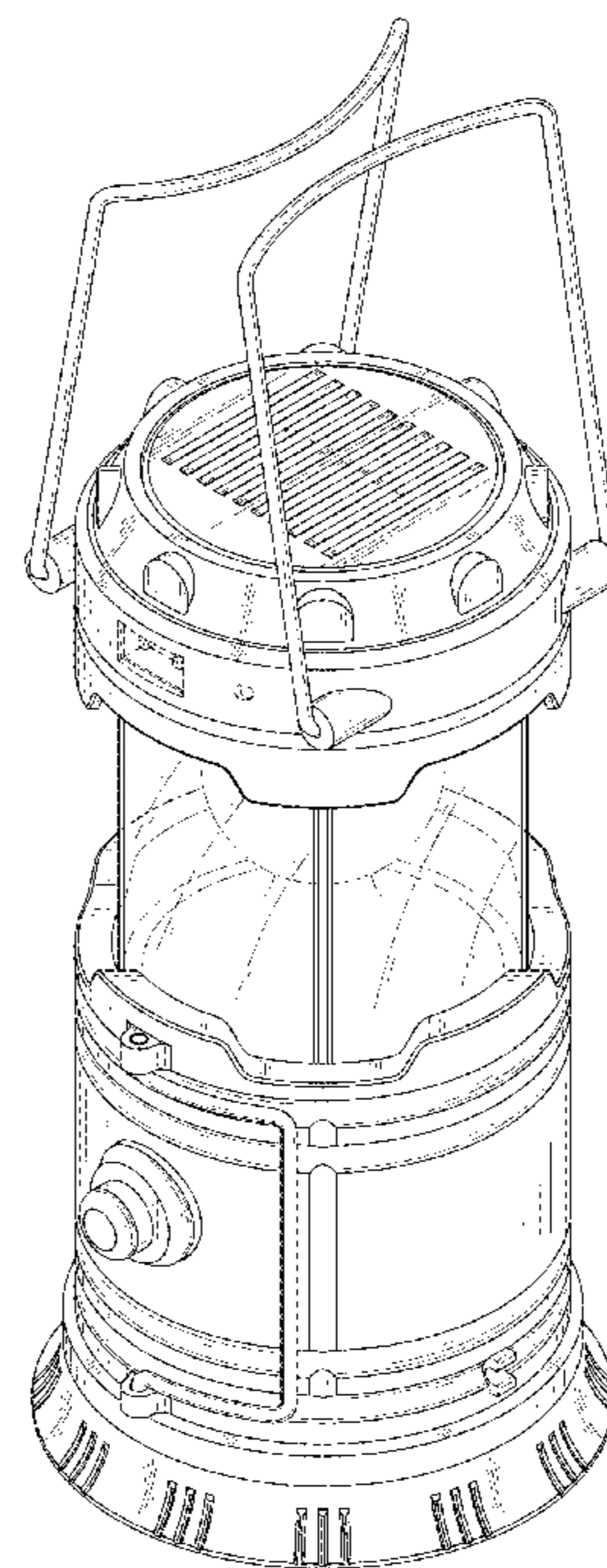
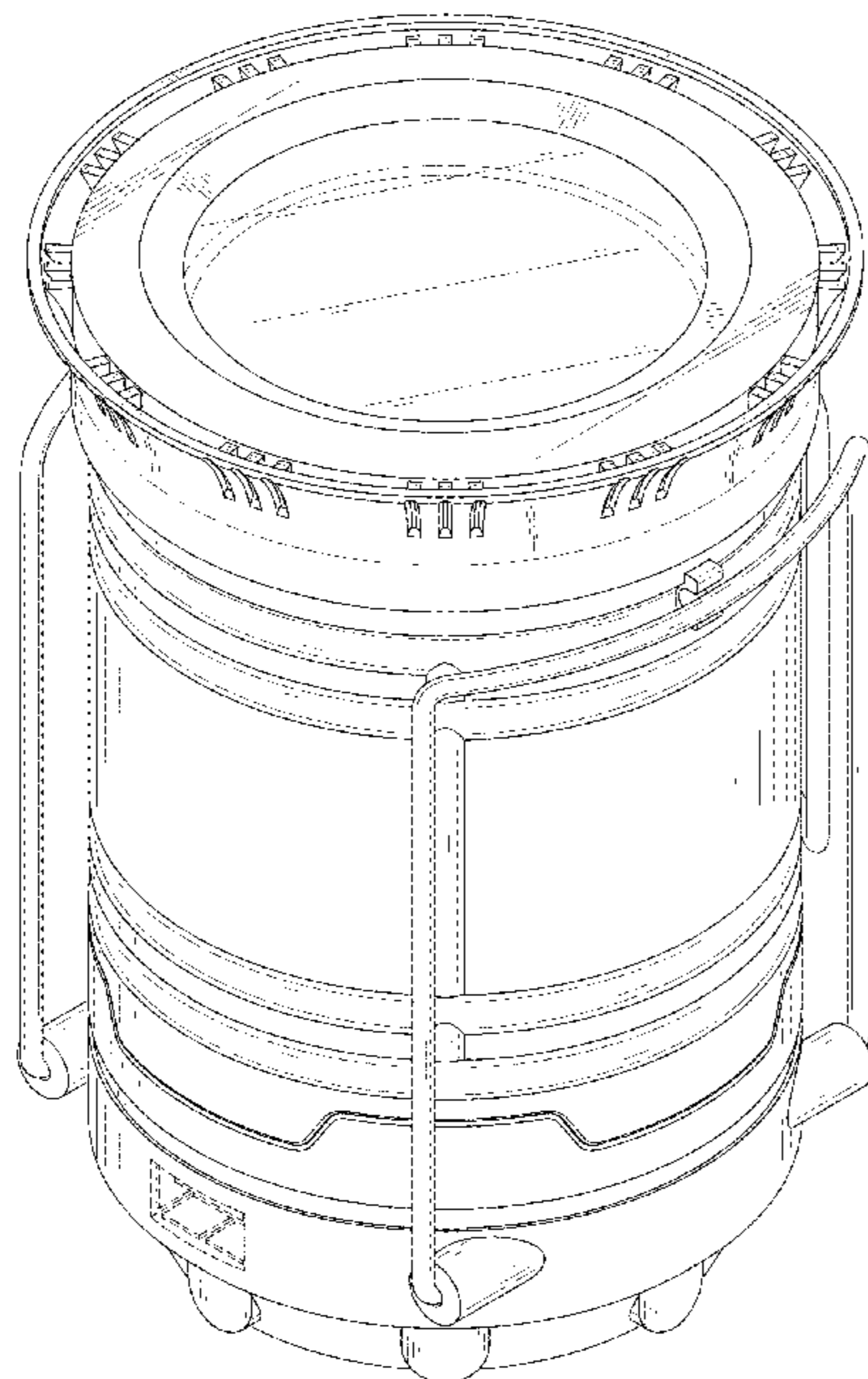
The ornamental design for a lamp, as shown and described.

**DESCRIPTION**

FIG. 1 is a right side top perspective view of the lamp showing my new design;  
FIG. 2 is an inverted right side bottom perspective view thereof;  
FIG. 3 is a front elevational view thereof;  
FIG. 4 is a rear elevational view thereof;  
FIG. 5 is a left side elevational view thereof;  
FIG. 6 is a right side elevational view thereof;  
FIG. 7 is a top plan view thereof;  
FIG. 8 is a bottom plan view thereof; and,  
FIG. 9 is a right side top perspective view thereof, shown in an extended position.

The broken lines immediately adjacent to the claimed portions are boundaries, all other broken lines are environmental structures; all the broken lines form no part of the claimed design.

**1 Claim, 9 Drawing Sheets**



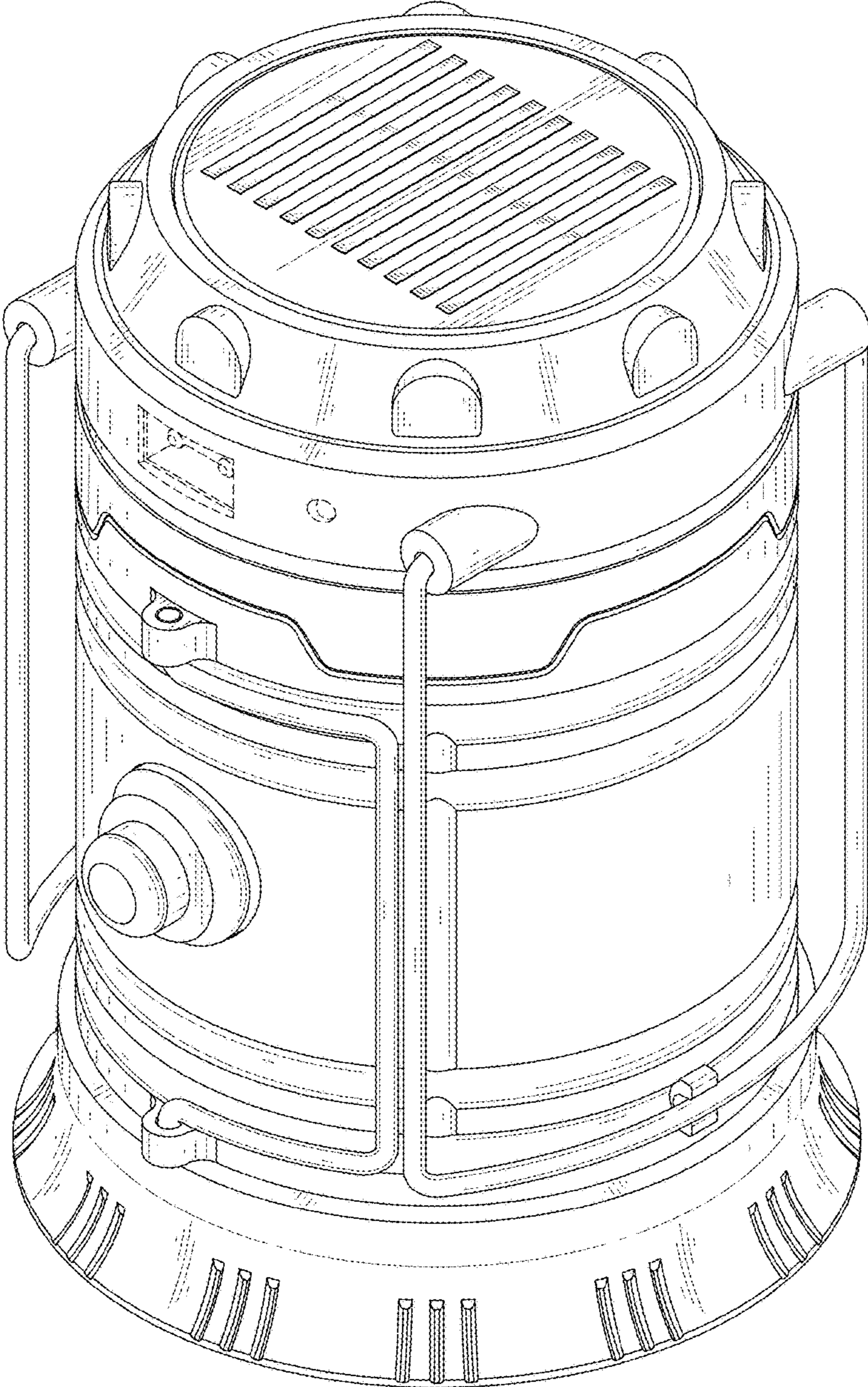


FIG. 1

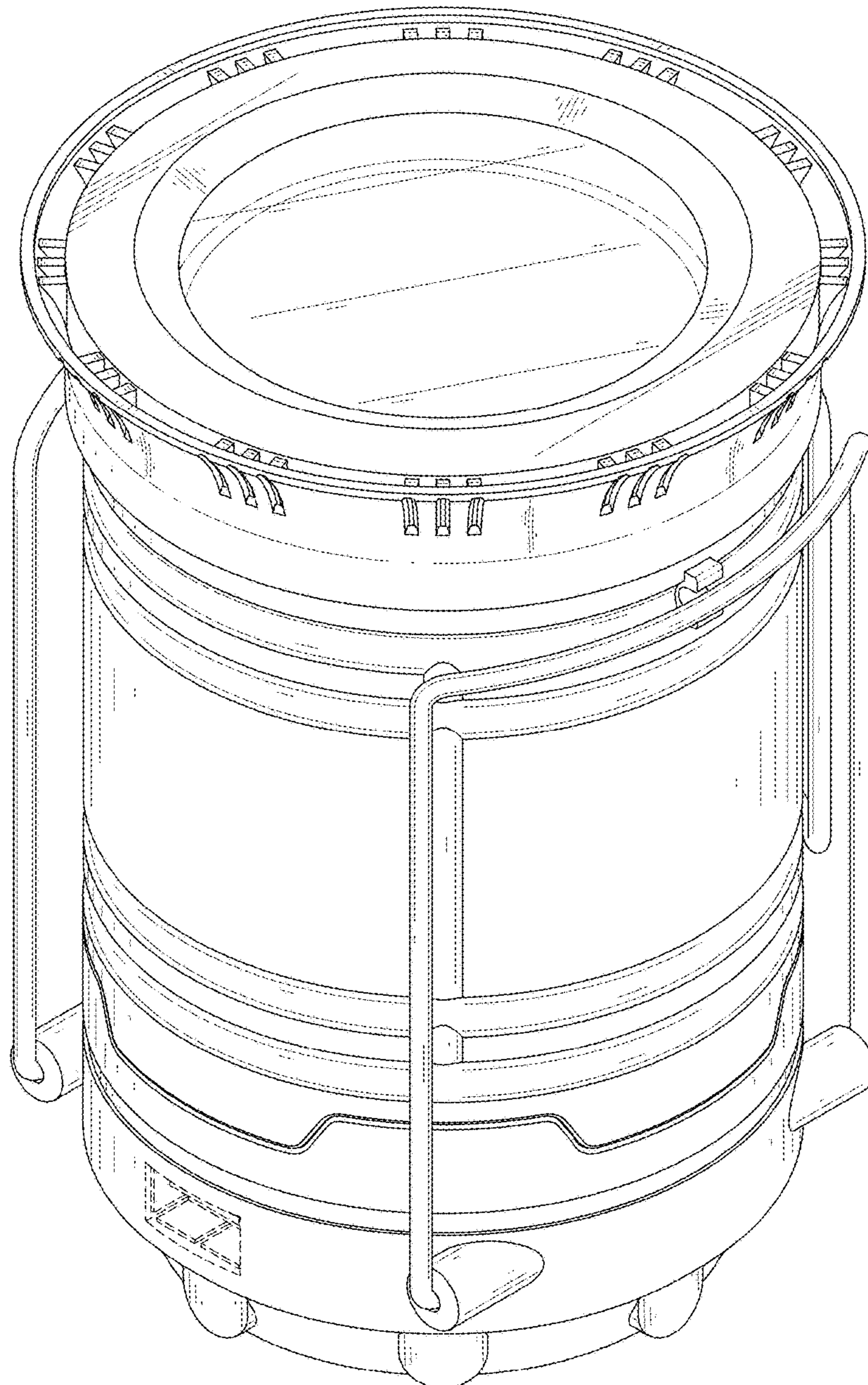


FIG. 2

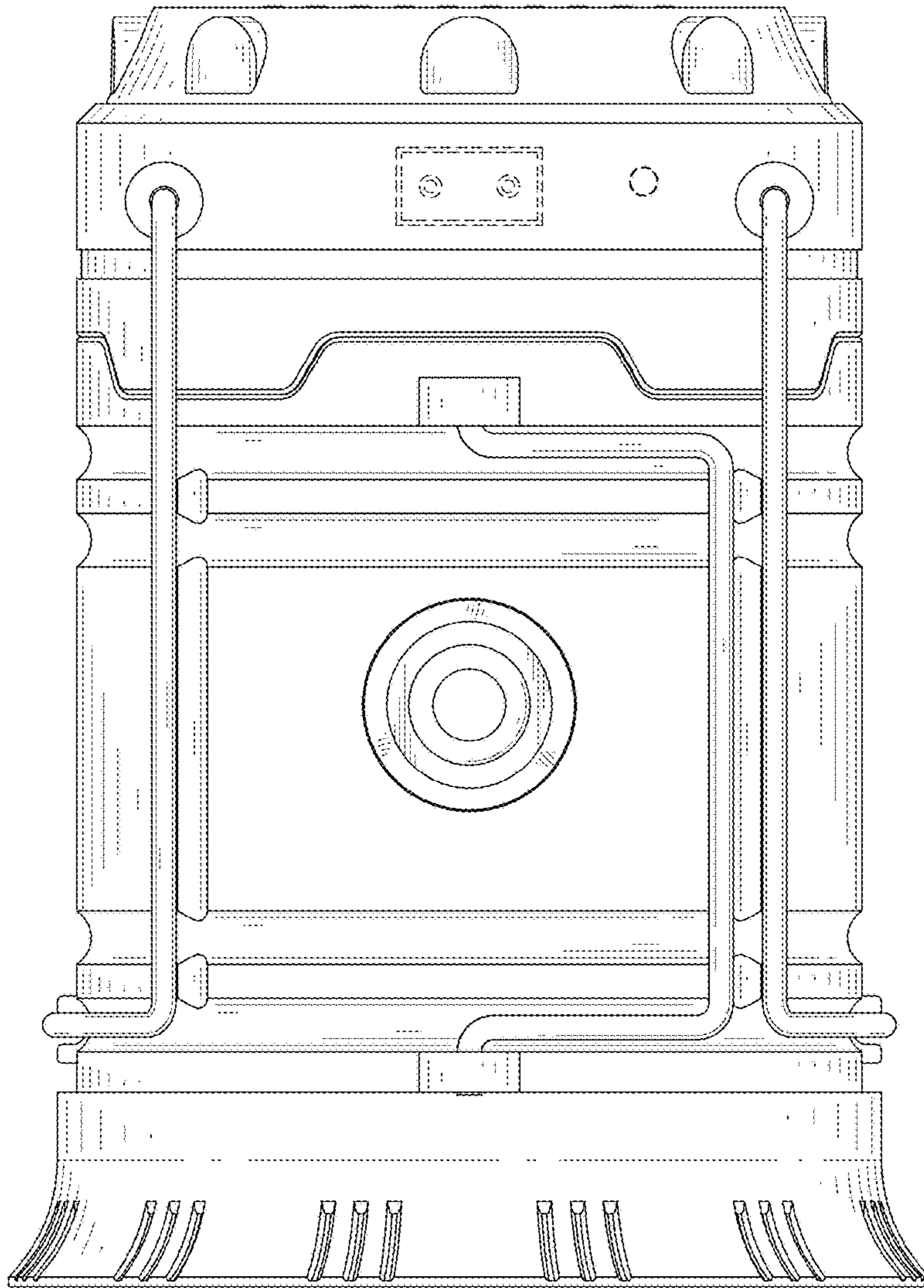


FIG. 3

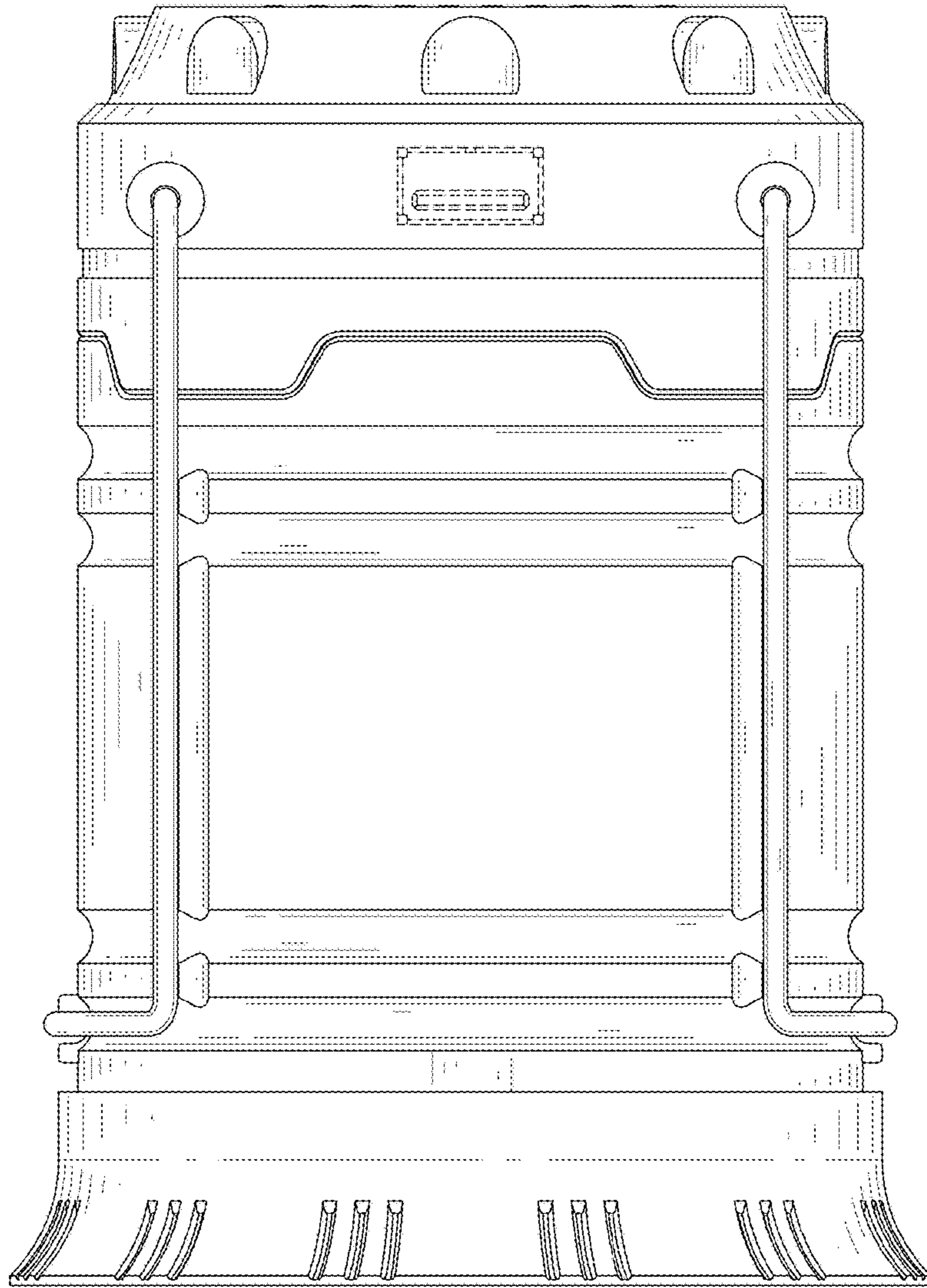


FIG. 4

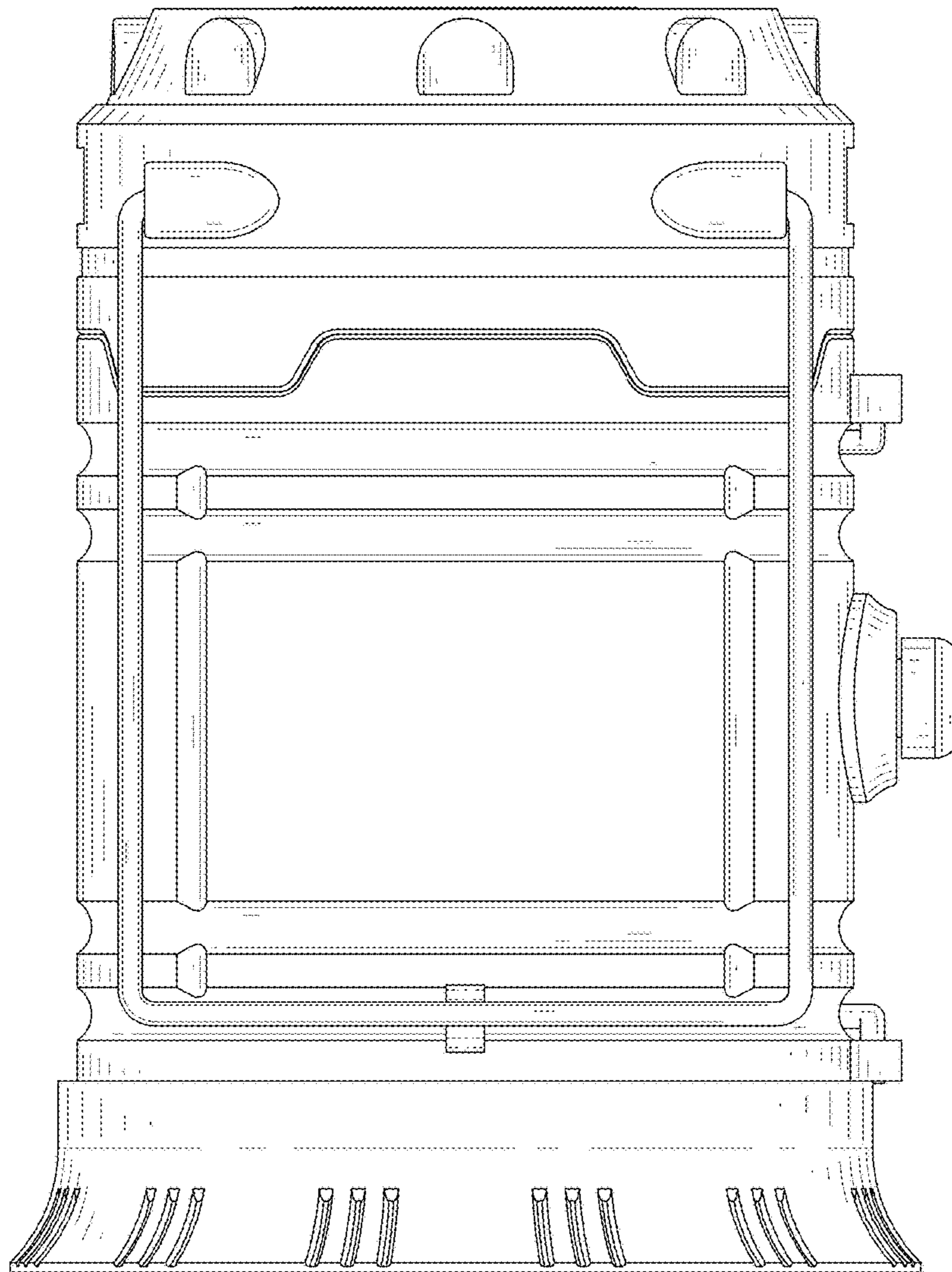


FIG. 5

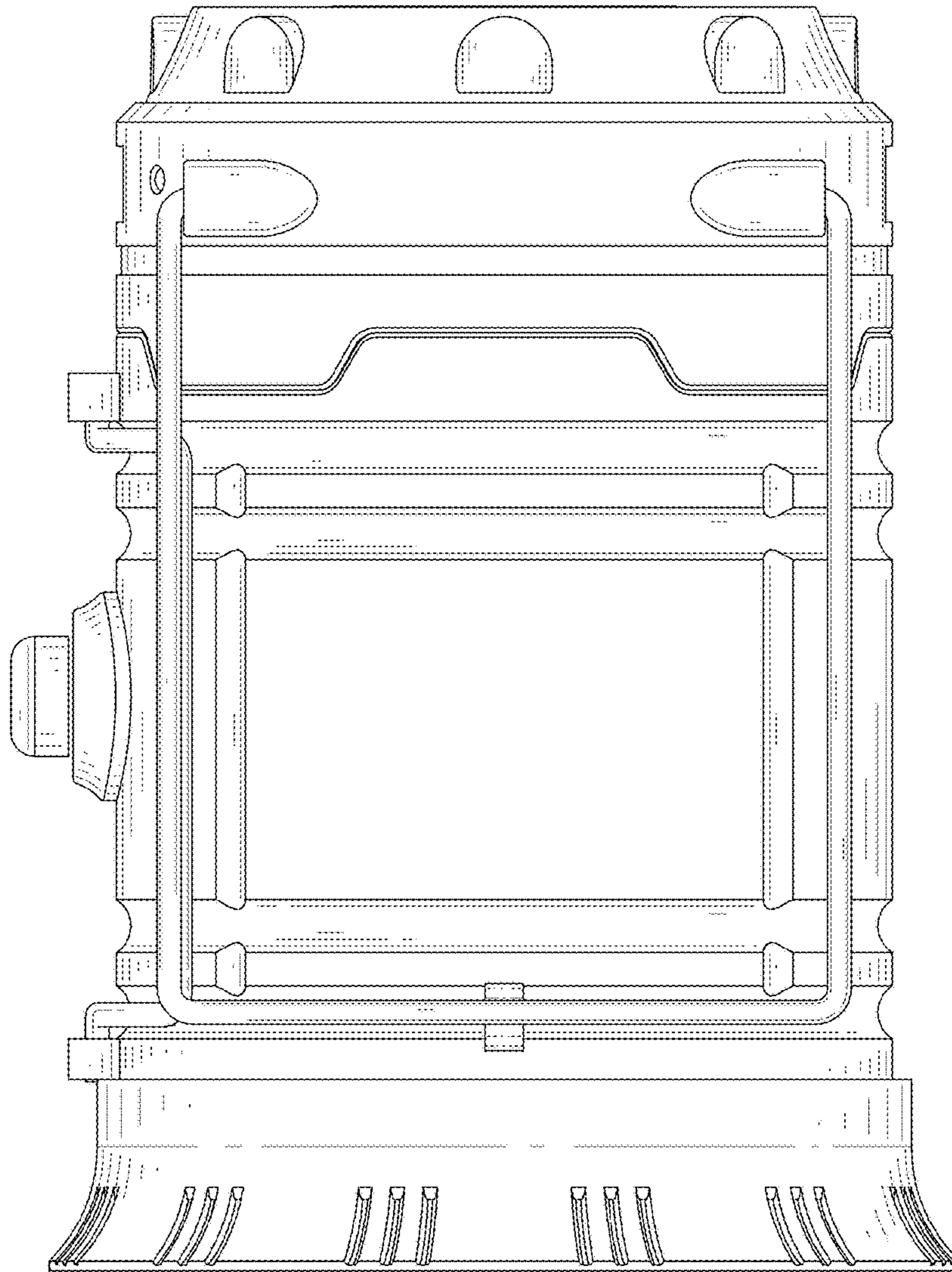


FIG. 6

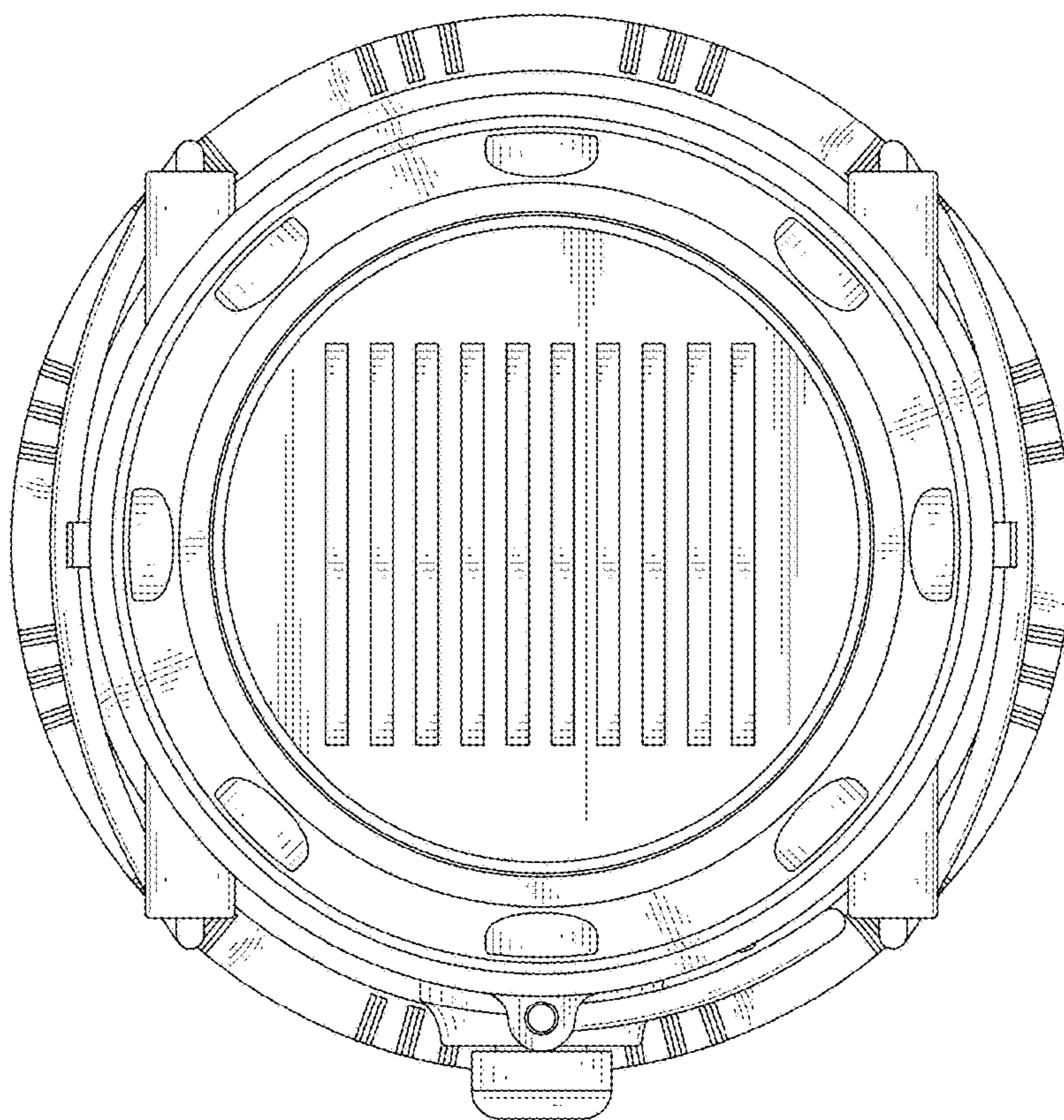


FIG. 7



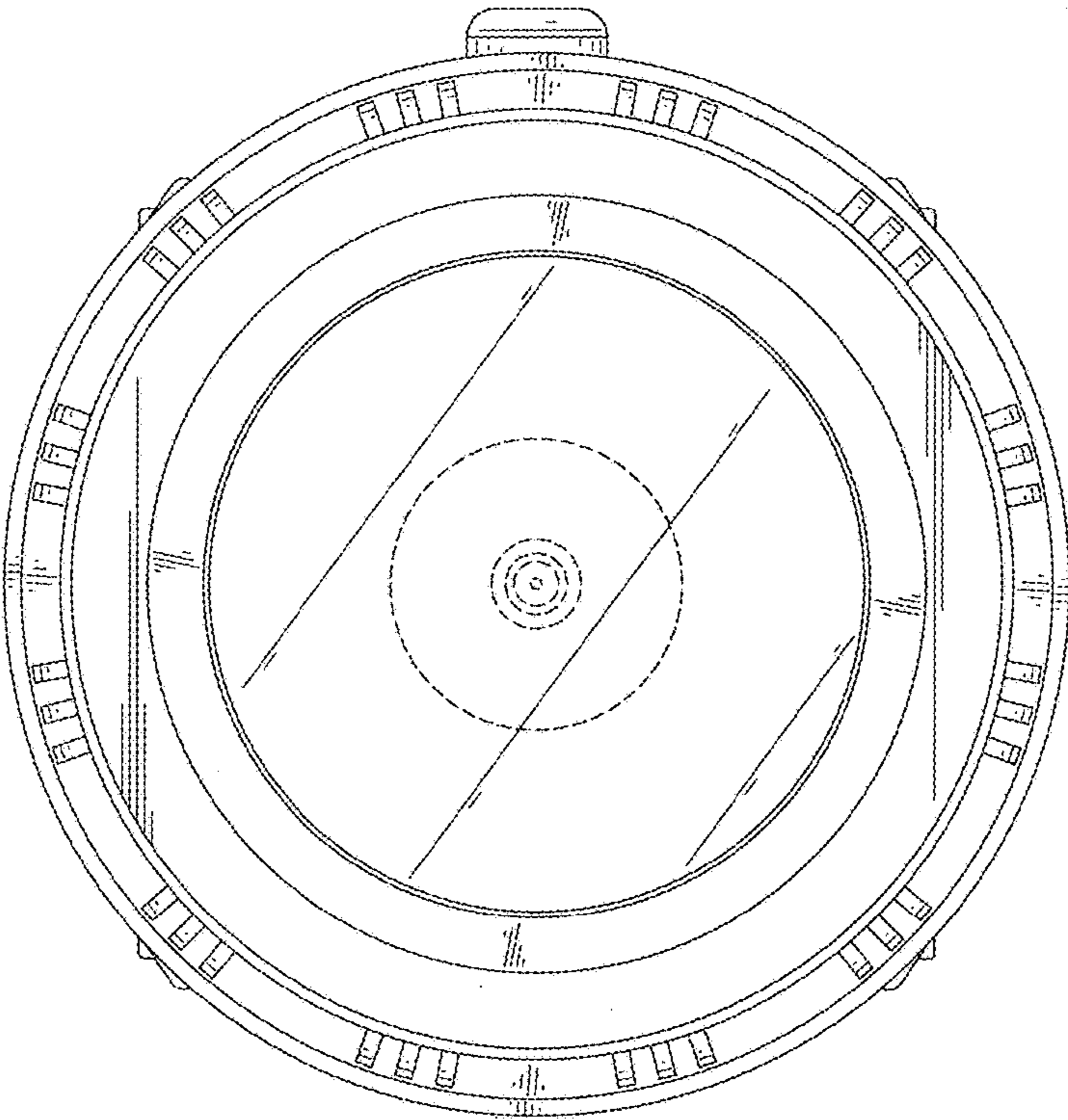


FIG. 8

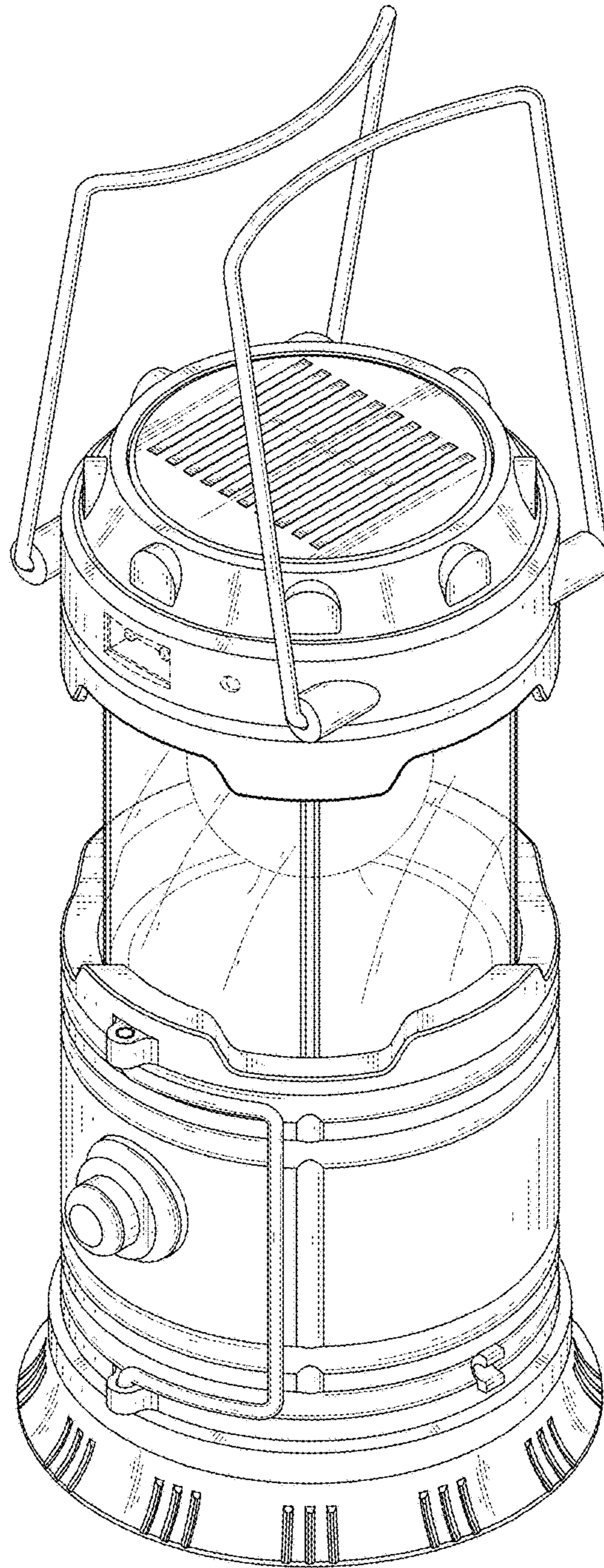


FIG. 9