



US00D863633S

(12) **United States Design Patent** (10) **Patent No.:** **US D863,633 S**
Rajasekaran et al. (45) **Date of Patent:** **** Oct. 15, 2019**

- (54) **PERSONAL HEADLAMP**
- (71) Applicant: **Princeton Tectonics Inc.**, Pennsauken, NJ (US)
- (72) Inventors: **Mohan Rajasekaran**, Bristol, CT (US); **Aaron Szymanski**, Thomaston, CT (US); **Michael Mennone**, Litchfield, CT (US)
- (73) Assignee: **Princeton Tectonics, Inc.**, Pennsauken, NJ (US)
- (**) Term: **15 Years**
- (21) Appl. No.: **29/616,406**
- (22) Filed: **Sep. 6, 2017**
- (51) **LOC (12) Cl.** **26-02**
- (52) **U.S. Cl.**
USPC **D26/39**
- (58) **Field of Classification Search**
USPC D26/37-51
CPC F21L 2003/00; F21L 4/00; F21L 4/005; F21L 4/02; F21L 4/025; F21L 4/027; F21L 4/04; F21L 4/08; F21L 2005/00; F21L 7/00; F21L 11/00; F21L 13/00; F21L 13/04; F21L 13/08; F21L 14/02; F21L 17/00; F21L 19/00; F21L 25/00
See application file for complete search history.

D615,678 S *	5/2010	DeBrunner	D26/39
D672,893 S *	12/2012	Inskeep	D26/39
D693,040 S *	11/2013	Svensson	D26/39
D703,850 S *	4/2014	Alvarado	D26/39
D708,793 S *	7/2014	Silverlieb	D26/38
D736,979 S *	8/2015	Petzl	D26/39
D747,021 S *	1/2016	Hunnewell	D26/39
D788,337 S *	5/2017	Koshiba	D26/39
D788,338 S *	5/2017	Koshiba	D26/39
D814,676 S *	4/2018	Windom	D26/39

OTHER PUBLICATIONS

Princeton TEC "Fuel" headlamp, on sale since Jun. 13, 2007.
Princeton TEC "Byte" headlamp, on sale since Sep. 9, 2010.
Black Diamond "Stride" headlamp, currently on sale.

* cited by examiner

Primary Examiner — Lakiya G Rogers

Assistant Examiner — Carissa C Fitts

(74) *Attorney, Agent, or Firm* — Howson & Howson LLP

(57) **CLAIM**

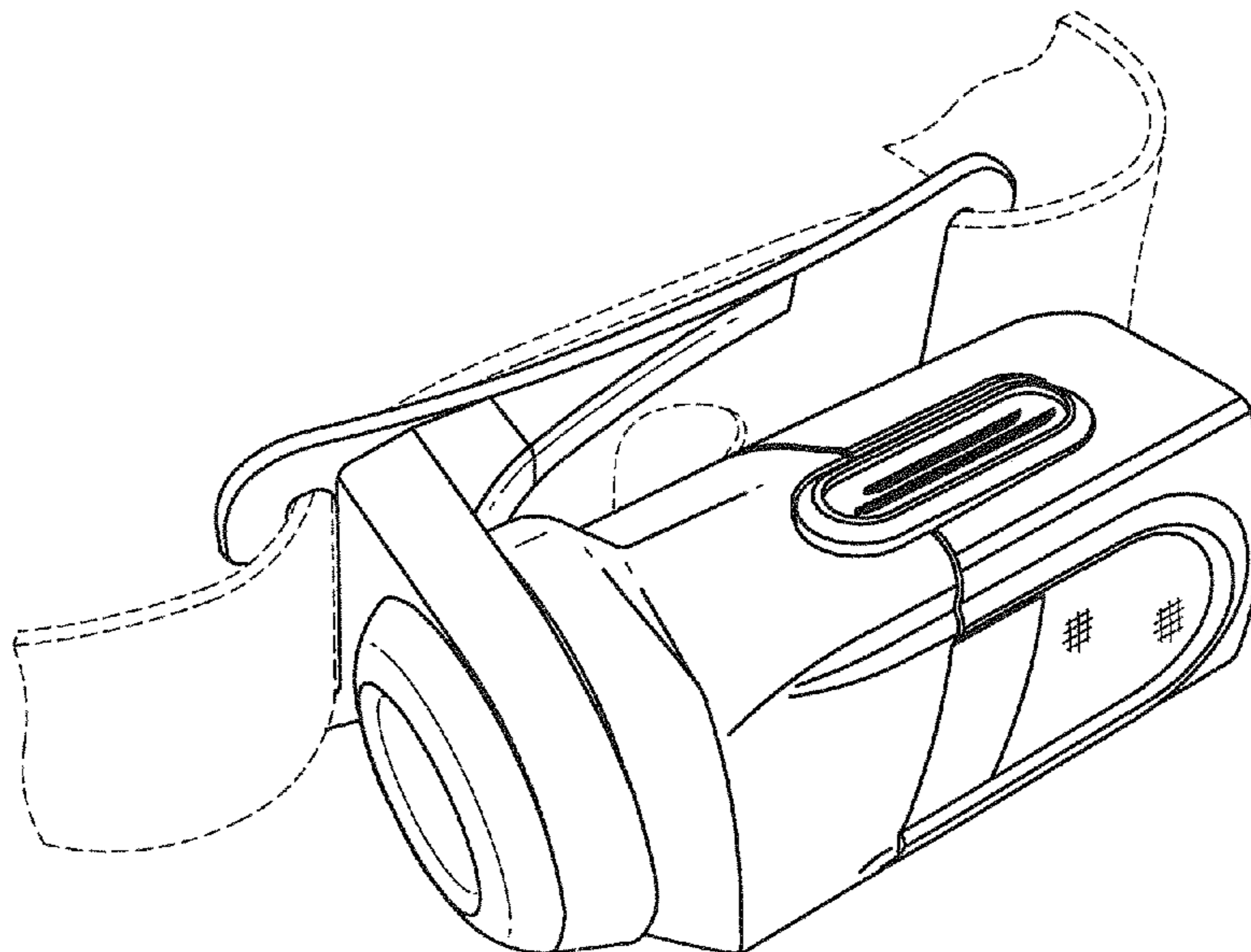
The ornamental design for a personal headlamp, as shown and described.

DESCRIPTION

FIG. 1 is a perspective view showing the front, left, and top sides of a personal headlamp showing our new design; FIG. 2 is a front elevational view thereof; FIG. 3 is a left side elevational view thereof; FIG. 4 is a right side elevational view thereof; FIG. 5 is a top plan view thereof; FIG. 6 is a bottom plan view thereof; and, FIG. 7 is a rear elevational view thereof. The broken lines show portions of the article which form no part of the claimed design.

1 Claim, 3 Drawing Sheets

- (56) **References Cited**
U.S. PATENT DOCUMENTS
D552,278 S * 10/2007 Spartano D26/39
D560,008 S * 1/2008 Poon D26/39
D577,842 S 9/2008 Kumthampinij et al.
7,568,812 B1 * 8/2009 Kumthampinij F21L 4/04
362/105



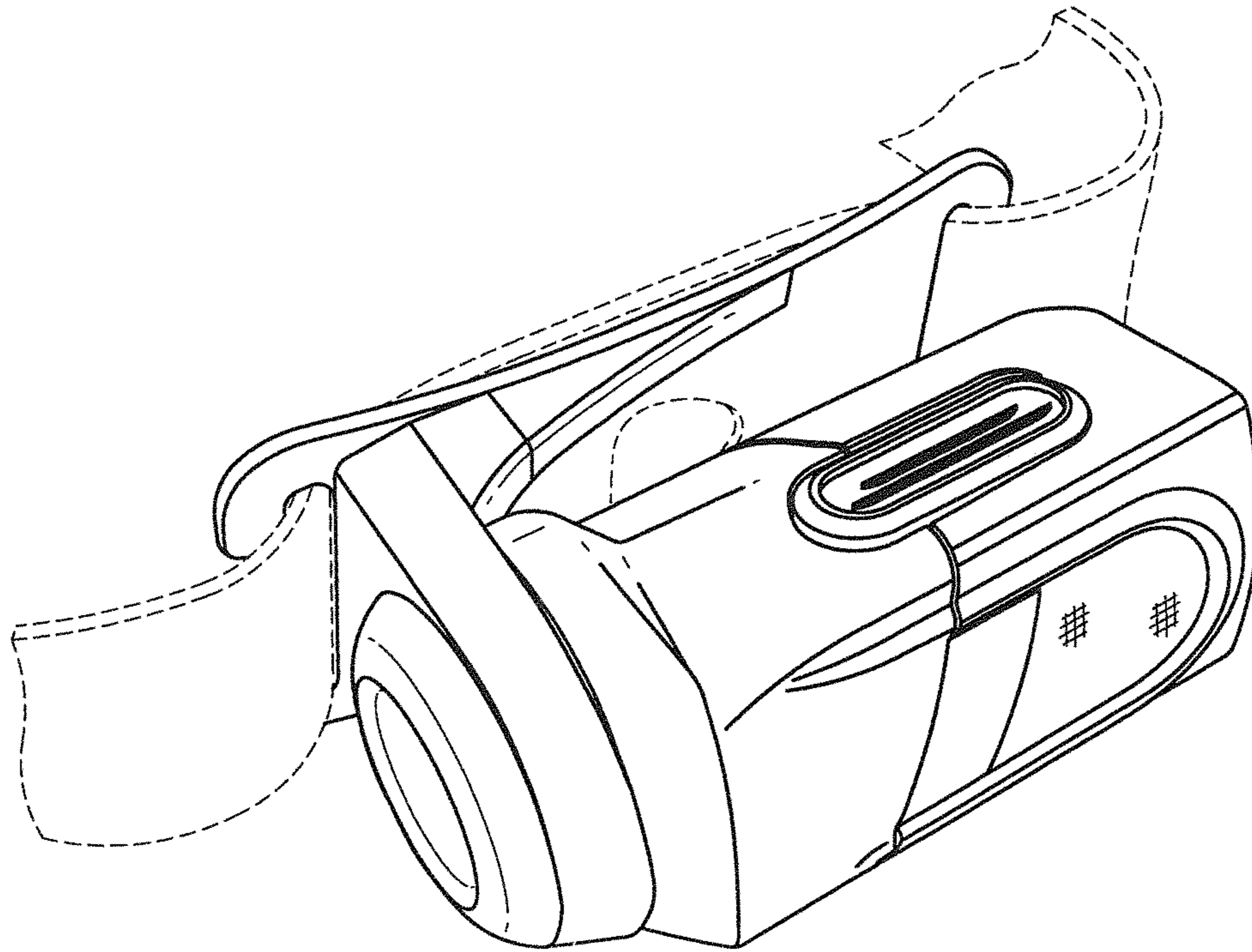


Fig. 1

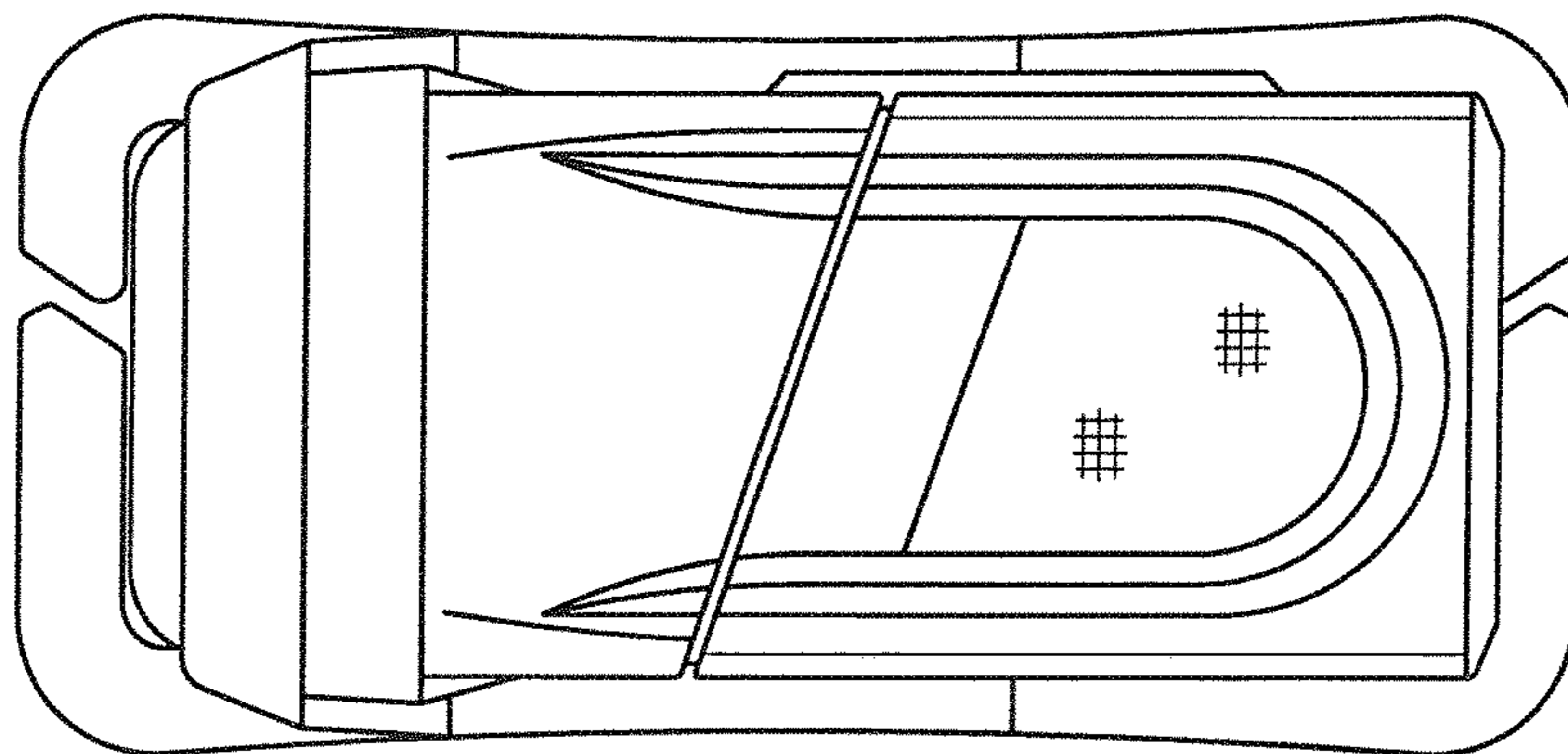


Fig. 2

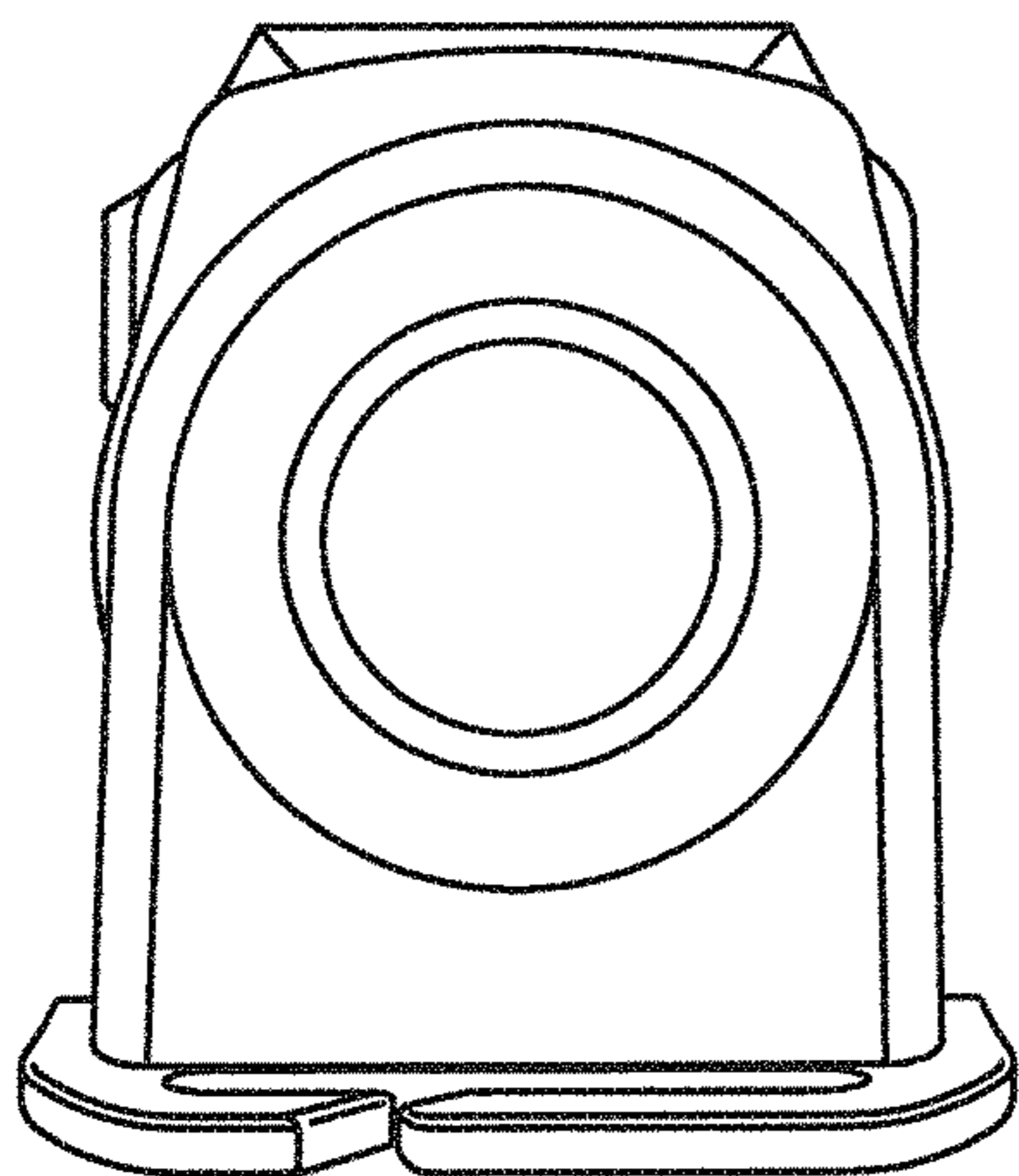


Fig. 3

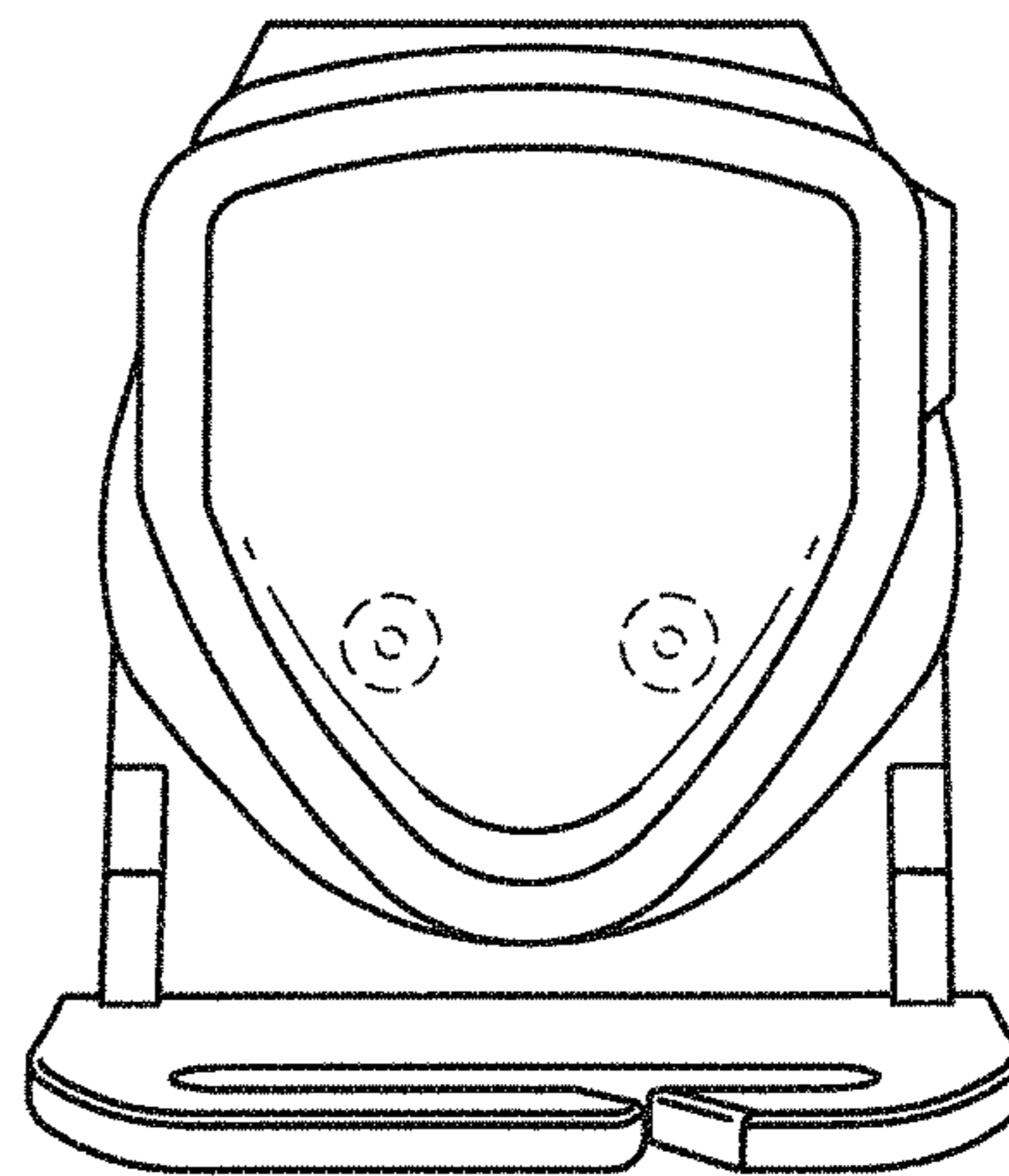


Fig. 4

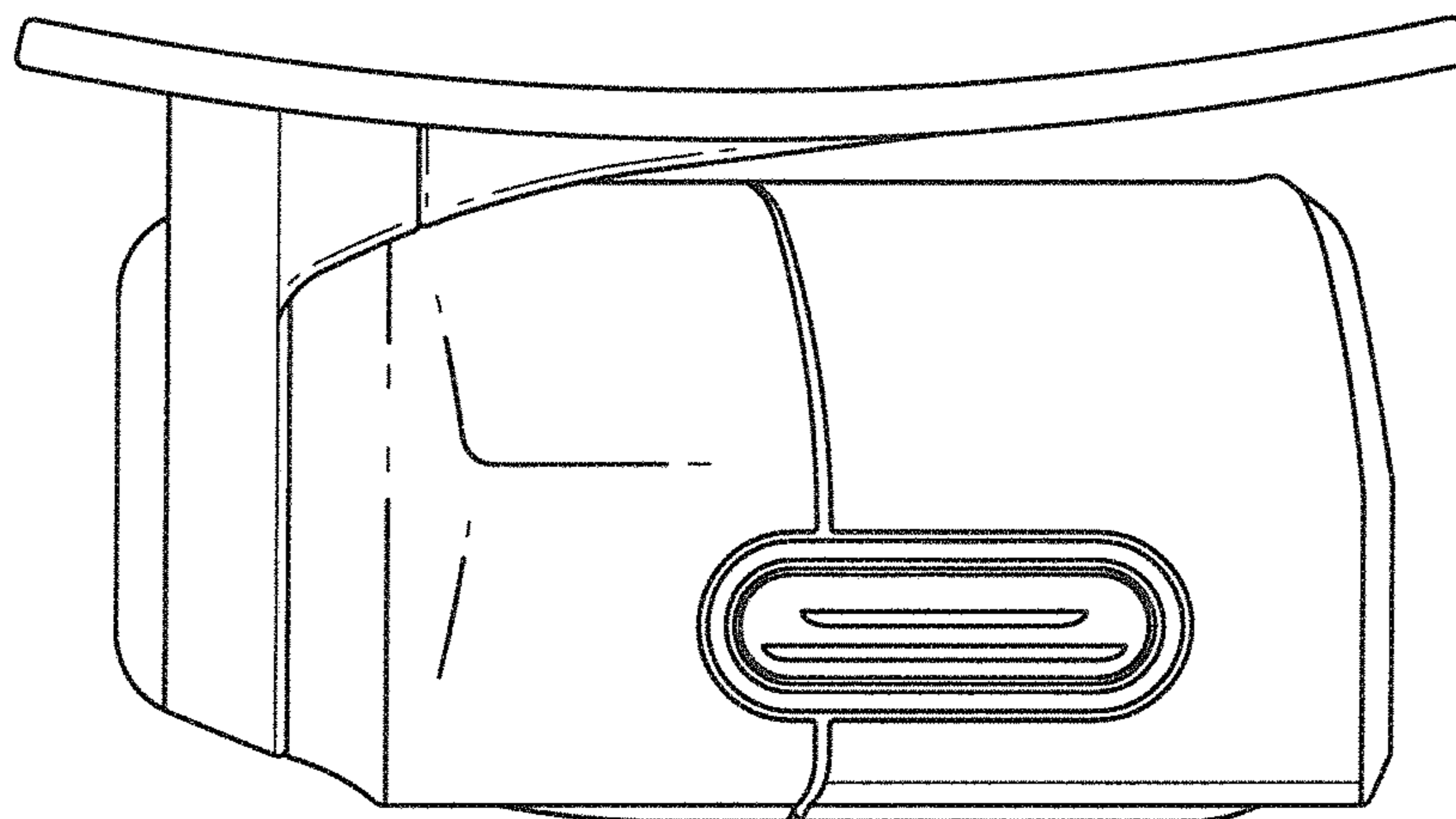


Fig. 5

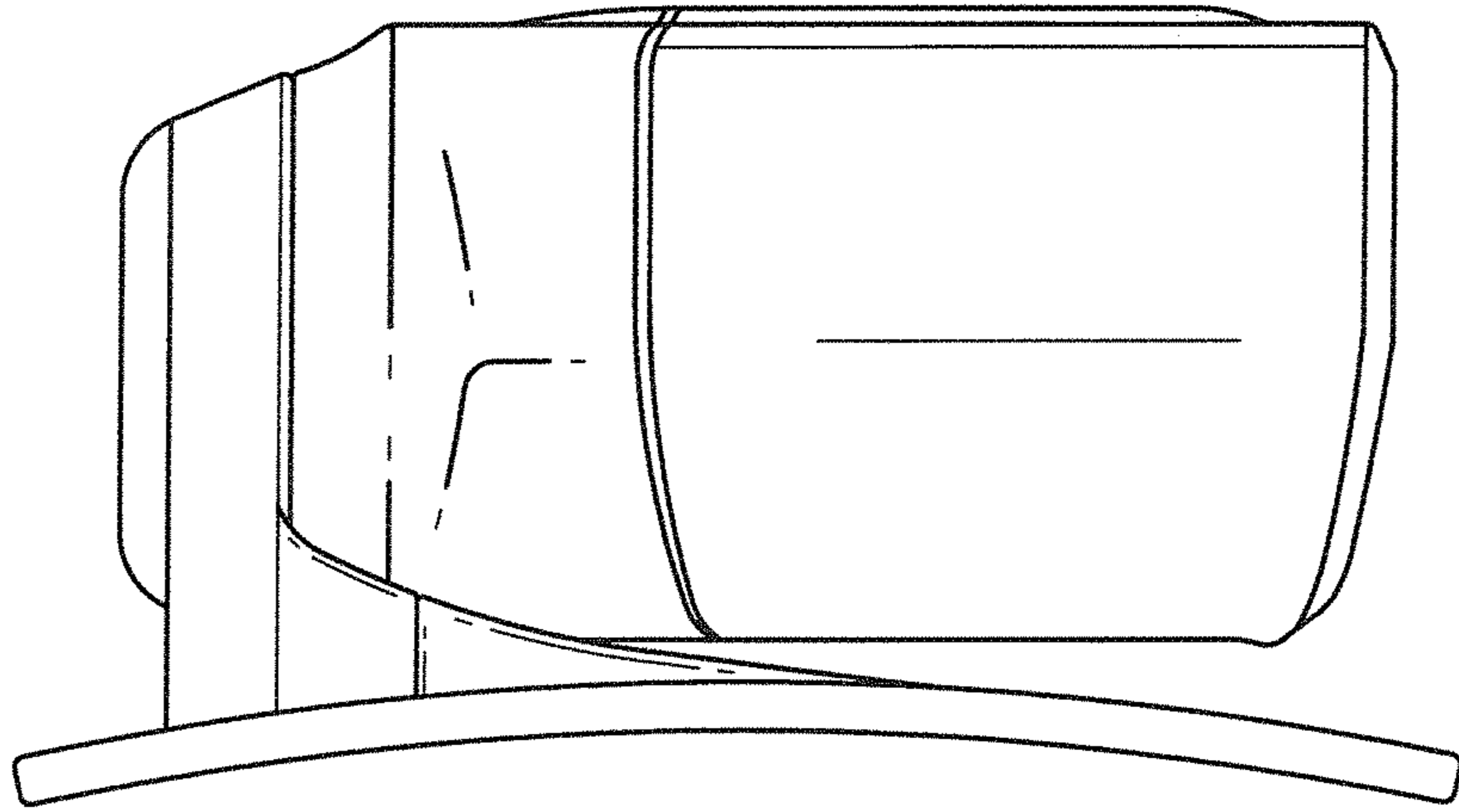


Fig. 6

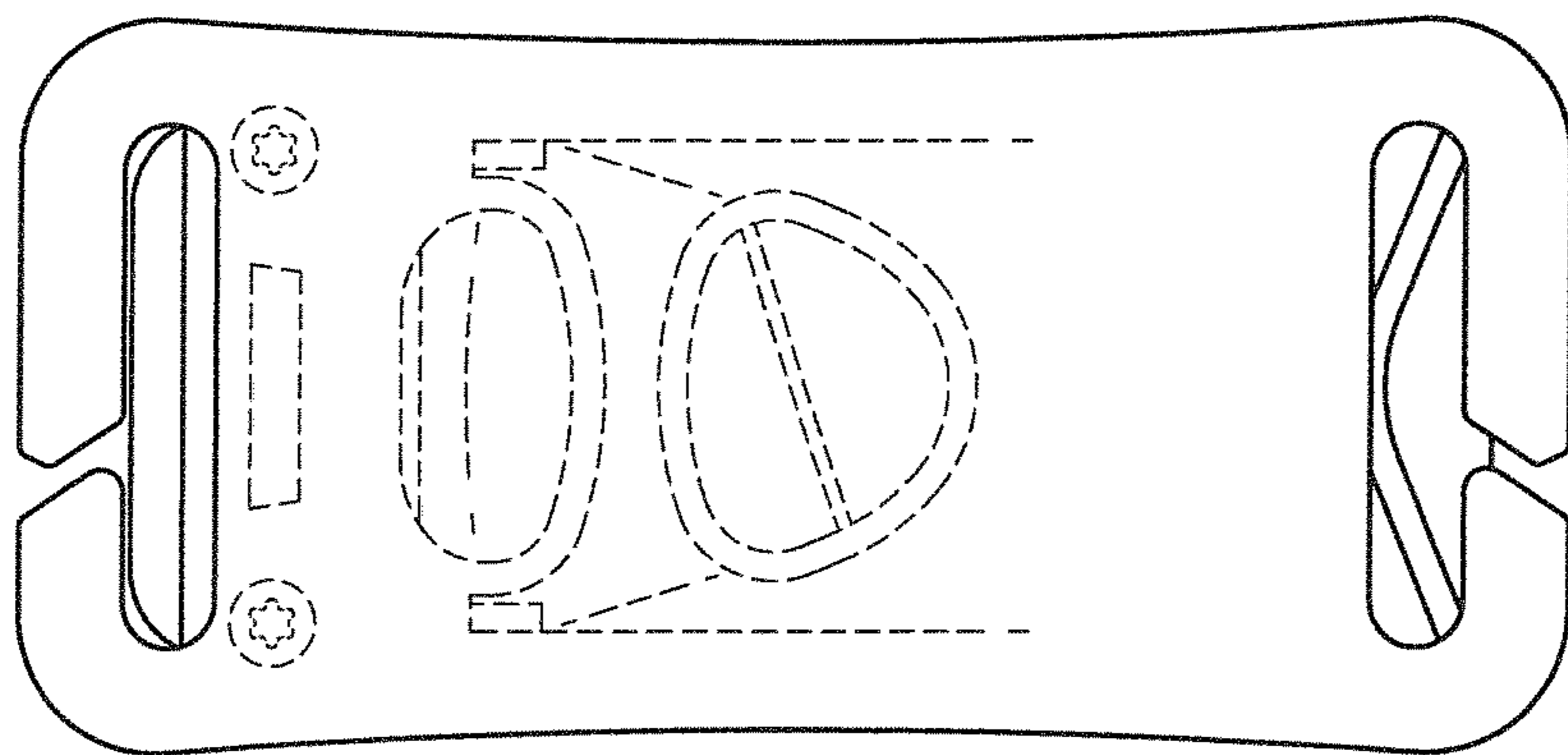


Fig. 7