



US00D863632S

(12) **United States Design Patent** (10) **Patent No.:** **US D863,632 S**  
**Cacciabeve** (45) **Date of Patent:** **\*\* Oct. 15, 2019**

- (54) **PORTABLE LIGHT LENS**
- (71) Applicant: **Walter R. Tucker Enterprises, Ltd.**,  
Deposit, NY (US)
- (72) Inventor: **Robert Cacciabeve**, Boonton, NJ (US)
- (73) Assignee: **Walter R. Tucker Enterprises, Ltd.**,  
Deposit, NY (US)
- (\*\*) Term: **15 Years**
- (21) Appl. No.: **29/608,086**
- (22) Filed: **Jun. 19, 2017**

- D438,667 S 3/2001 Leen
- D441,491 S 5/2001 Leen
- D469,212 S 1/2003 Chiu
- 6,629,771 B2 10/2003 Chiu
- D544,388 S 6/2007 Chisholm
- D553,771 S 10/2007 Watson et al.
- D593,236 S 5/2009 Ng et al.
- D593,238 S 5/2009 Allen
- D593,693 S 6/2009 Adamany et al.
- D605,794 S 12/2009 Engebrigtsen
- D606,691 S 12/2009 Lindholm
- D608,038 S 1/2010 Chan
- D608,938 S 1/2010 Schmitt et al.
- D622,879 S 8/2010 Kotsis et al.
- D629,131 S 12/2010 Seal et al.
- D629,561 S 12/2010 Kim et al.
- D630,374 S 1/2011 Leen

(Continued)

**Related U.S. Application Data**

- (63) Continuation-in-part of application No. 15/156,988, filed on May 17, 2016, now Pat. No. 9,951,930, and a continuation-in-part of application No. 29/542,750, filed on Oct. 16, 2015.
- (51) **LOC (12) Cl.** ..... **26-02**
- (52) **U.S. Cl.**  
USPC ..... **D26/37**
- (58) **Field of Classification Search**  
USPC ..... D26/37-51  
CPC ..... F21L 2003/00; F21L 4/00; F21L 4/005;  
F21L 4/02; F21L 4/025; F21L 4/027;  
F21L 4/04; F21L 4/08; F21L 2005/00;  
F21L 7/00; F21L 11/00; F21L 13/00;  
F21L 13/04; F21L 13/08; F21L 14/02;  
F21L 17/00; F21L 19/00; F21L 25/00  
See application file for complete search history.

(56) **References Cited**

**U.S. PATENT DOCUMENTS**

- D217,638 S 5/1970 Magi
- D316,305 S 4/1991 Court
- 5,469,345 A 11/1995 Pettersen et al.
- 5,720,543 A 2/1998 Sheps

*Primary Examiner* — Lakiya G Rogers

*Assistant Examiner* — Carissa C Fitts

(74) *Attorney, Agent, or Firm* — Breiner & Breiner, L.L.C.

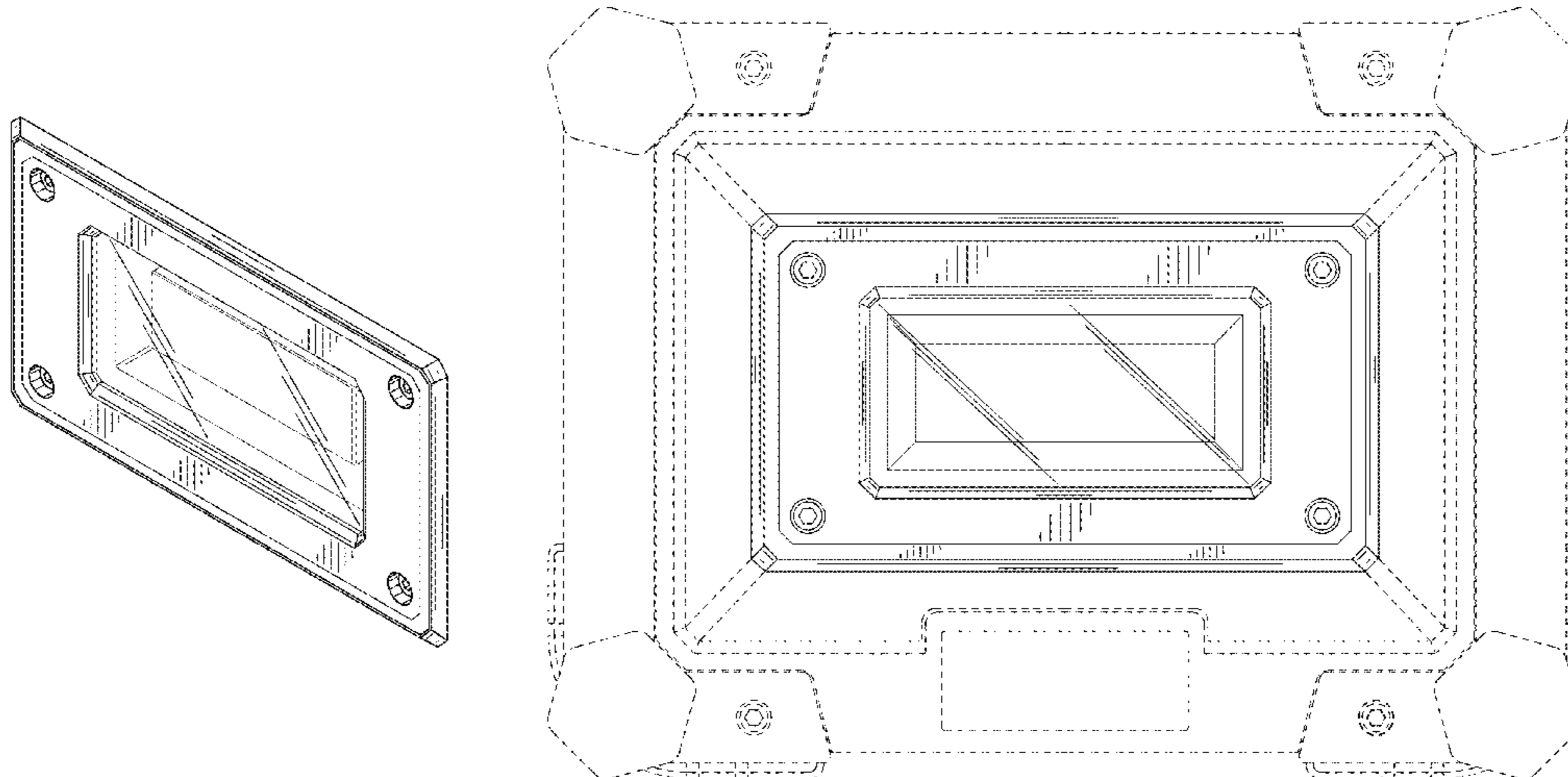
(57) **CLAIM**

The ornamental design for a portable light lens, as shown and described.

**DESCRIPTION**

FIG. 1 is a front/side elevational perspective view of the portable light lens;  
 FIG. 2 is a front view of the portable light lens;  
 FIG. 3 is a rear view of the portable light lens in an environment of use;  
 FIG. 4 is a front/side elevational perspective view of another embodiment of the portable light lens;  
 FIG. 5 is a front view of the portable light lens of FIG. 4; and,  
 FIG. 6 is a front view of the portable light lens of FIG. 4 in an environment of use.  
 The broken lines in the figures represent portions of the portable light that form no part of the claimed design.

**1 Claim, 4 Drawing Sheets**



(56)

References Cited

U.S. PATENT DOCUMENTS

7,932,528 B2	4/2011	Tessnow	D763,492 S	8/2016	Bryant et al.
D639,469 S	6/2011	Zhuang	D766,481 S	9/2016	Lipson
D654,387 S	2/2012	Wilson et al.	D798,483 S *	9/2017	Hoffmann ..... D26/63
D659,867 S	5/2012	Zhan	D803,440 S *	11/2017	Tompkin ..... D26/37
D665,522 S	8/2012	Werner et al.	D805,666 S *	12/2017	Nguyen ..... D26/37
D682,451 S	5/2013	Hardy	D806,294 S *	12/2017	Nguyen ..... D26/37
D693,500 S	11/2013	Souvay et al.	D820,489 S *	6/2018	Zhang ..... D26/44
D695,434 S	12/2013	Shen	D825,500 S *	8/2018	Nishio ..... D13/180
D702,865 S	4/2014	Yuen	D827,170 S *	8/2018	Zhang ..... D26/44
D703,355 S	4/2014	Kotsis	D827,917 S *	9/2018	Botti ..... D26/138
D703,356 S	4/2014	Grandadam	D828,938 S *	9/2018	Hou ..... D26/38
D706,478 S	6/2014	Yuen	D829,354 S *	9/2018	Cacciabeve ..... D26/37
D731,988 S	6/2015	Urtiga et al.	2005/0018421 A1	1/2005	Parsons
D732,220 S	6/2015	Bao	2005/0265035 A1	12/2005	Brass et al.
D734,886 S	7/2015	Lazalier et al.	2006/0087846 A1	4/2006	Yuen
D735,387 S	7/2015	Bao	2006/0109662 A1	5/2006	Reiff et al.
D736,442 S	8/2015	Kovacik et al.	2006/0146523 A1	7/2006	Yuen
D737,491 S	8/2015	Shen	2006/0193127 A1	8/2006	Kumthampinij et al.
D738,022 S	9/2015	Shen	2007/0115674 A1	5/2007	Tessnow
D742,058 S	10/2015	Chen	2008/0225518 A1	9/2008	Devaney et al.
D744,139 S	11/2015	Itoh et al.	2009/0122546 A1	5/2009	Liu
D744,964 S	12/2015	Sachsenweger	2011/0063849 A1	3/2011	Alexander et al.
D748,448 S	2/2016	Nelson	2011/0140147 A1	6/2011	Chen et al.
D750,307 S	2/2016	Borring	2011/0193111 A1	8/2011	Seo et al.
D750,832 S	3/2016	Lehman	2012/0033415 A1	2/2012	Sharrah et al.
D751,739 S	3/2016	Hamasaki	2012/0327665 A1	12/2012	Pickard et al.
D753,333 S	4/2016	Hamasaki	2013/0241435 A1	9/2013	Lamvik et al.
D754,900 S	4/2016	Mumma et al.	2013/0272016 A1	10/2013	Weaver
D756,014 S	5/2016	Bao	2014/0126192 A1	5/2014	Ancona et al.
D757,585 S	5/2016	Hojmose	2014/0313706 A1	10/2014	Itoh et al.
			2015/0131276 A1	5/2015	Thompson et al.
			2015/0263239 A1	9/2015	Watanabe

\* cited by examiner

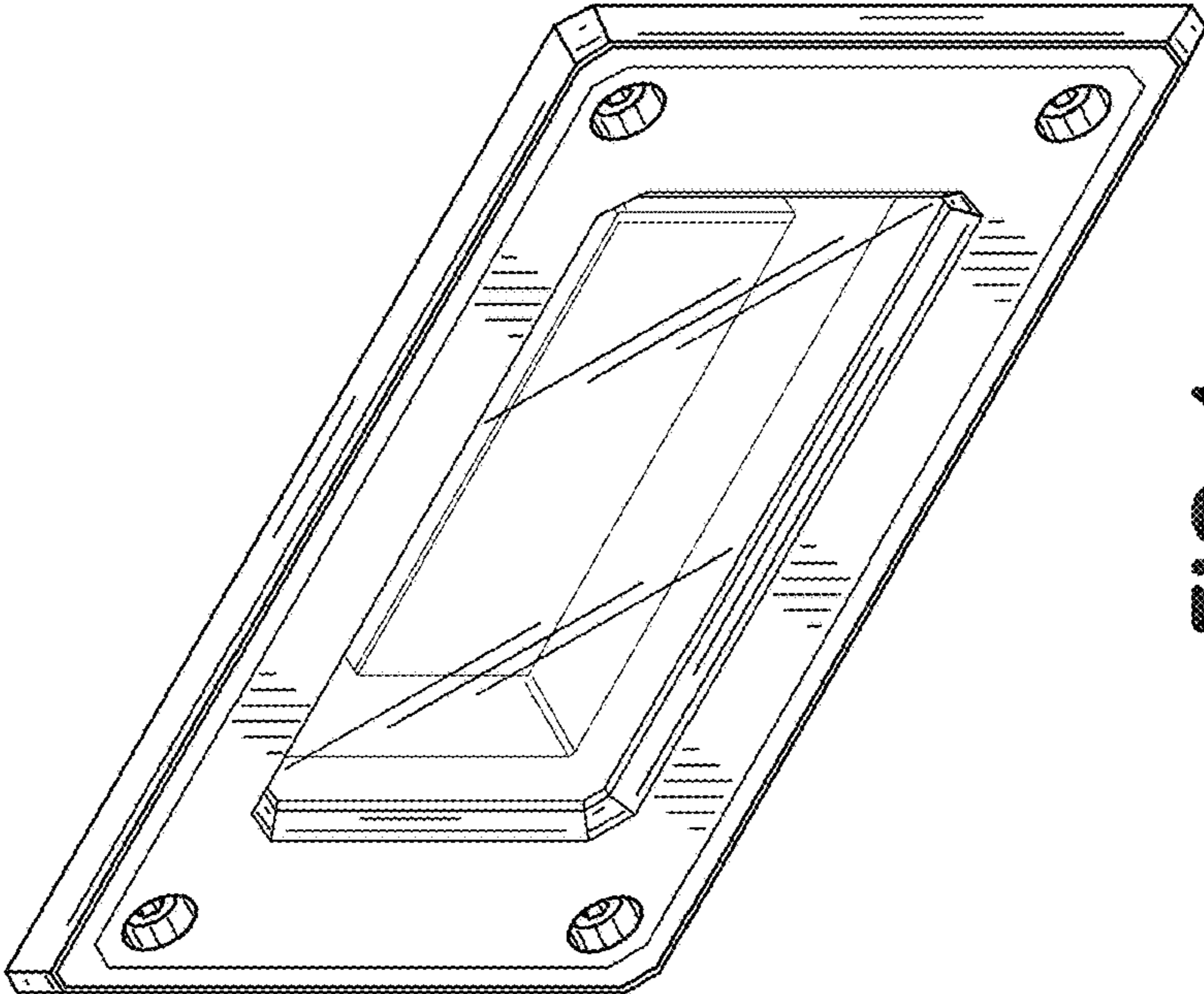


FIG. 1

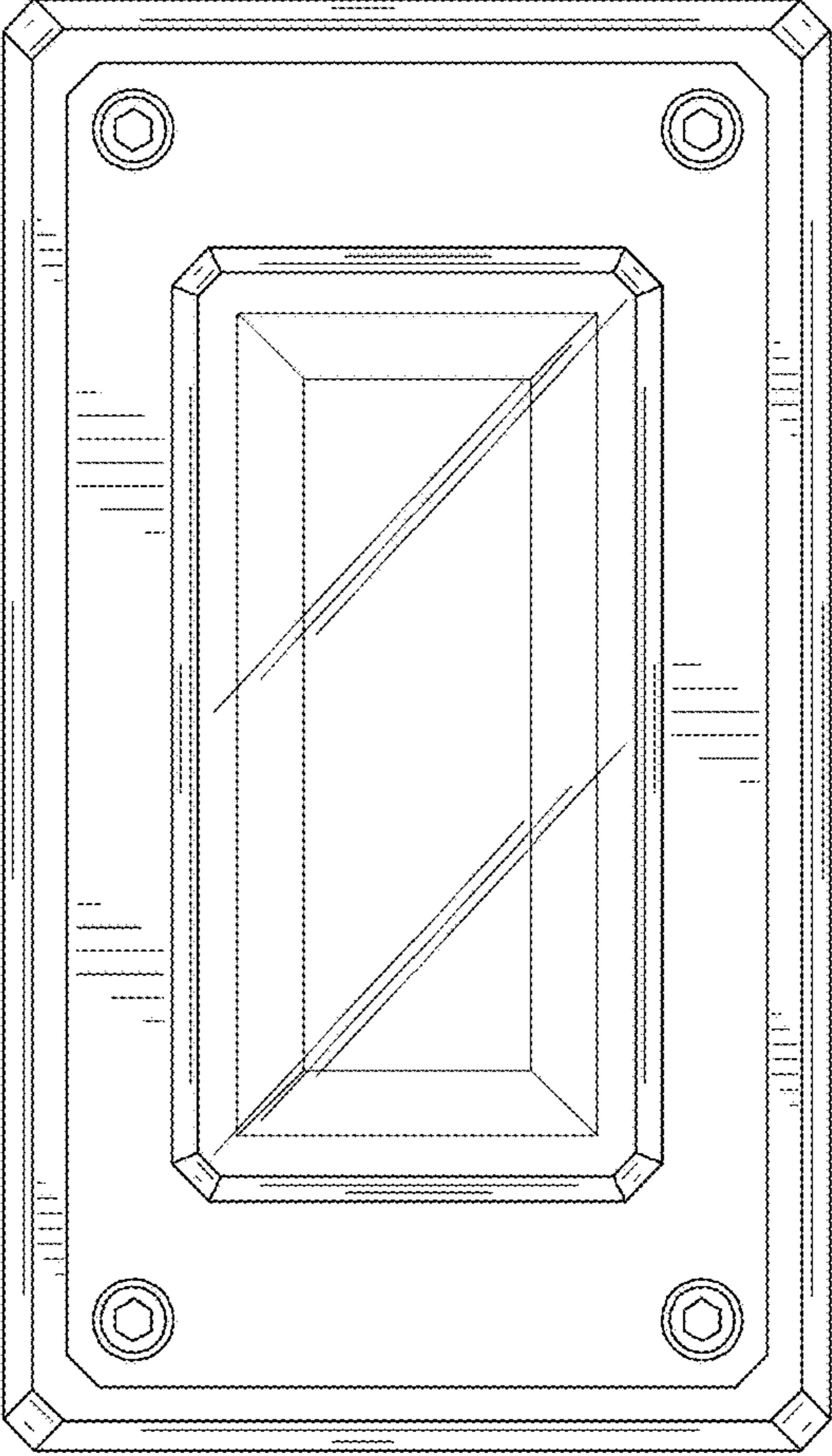


FIG. 2

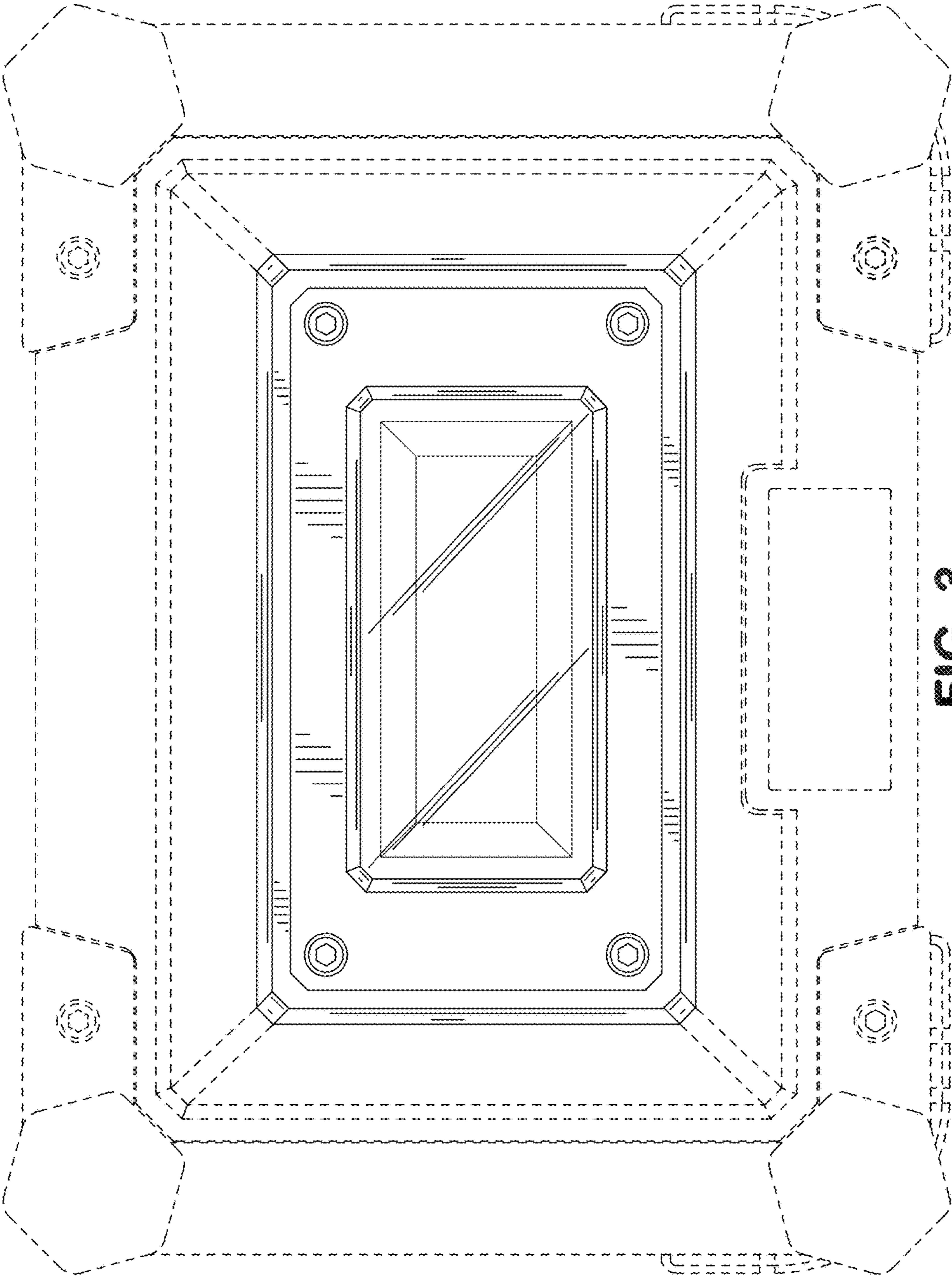


FIG. 3

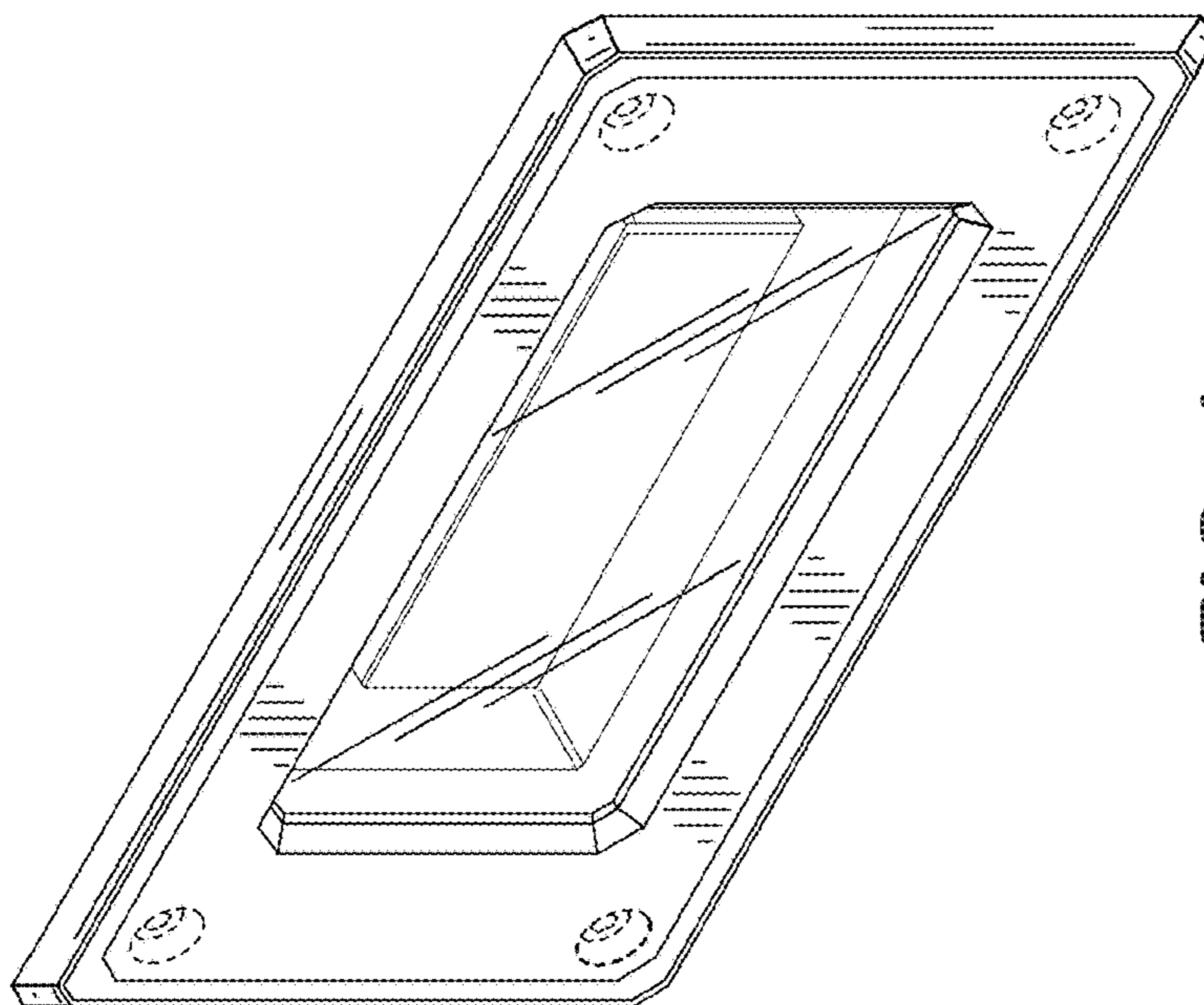


FIG. 4

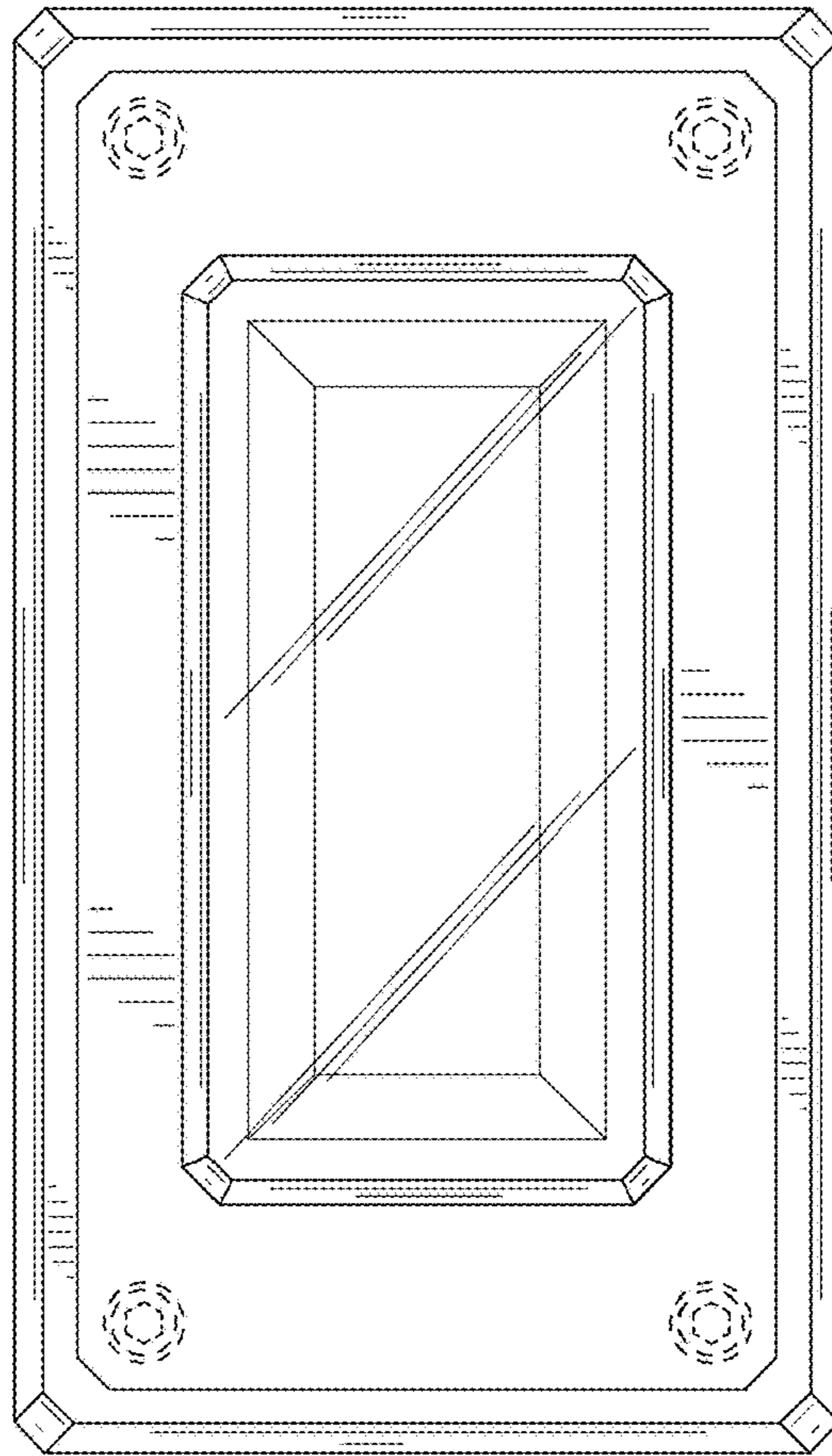


FIG. 5

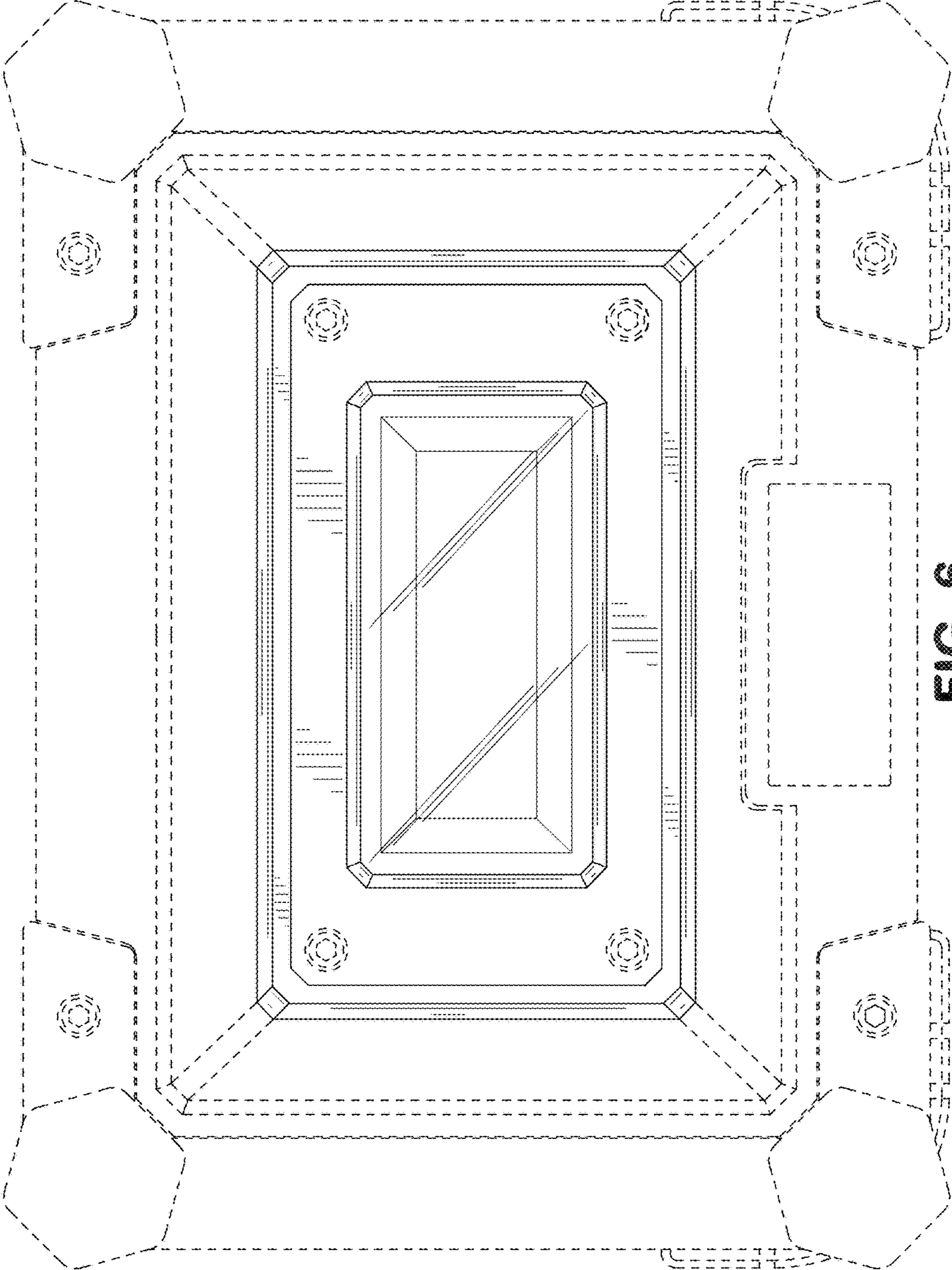


FIG. 6