



US00D863626S

(12) **United States Design Patent**
Lin

(10) **Patent No.:** **US D863,626 S**

(45) **Date of Patent:** **** Oct. 15, 2019**

(54) **VEHICLE HEADLIGHT**

(71) Applicant: **Chi-Chung Lin**, Hsinchu (TW)

(72) Inventor: **Chi-Chung Lin**, Hsinchu (TW)

(**) Term: **15 Years**

(21) Appl. No.: **29/658,059**

(22) Filed: **Jul. 27, 2018**

(51) **LOC (12) Cl.** **26-06**

(52) **U.S. Cl.**
USPC **D26/28**

(58) **Field of Classification Search**
USPC D26/28-36, 139
CPC F21S 48/00; F21S 48/10; F21S 48/115;
F21S 48/225; F21S 48/1233; F21S
48/1266; F21S 48/1388; F21S 48/2268;
F21V 21/04; F21K 9/00; F21K 29/004
See application file for complete search history.

(56) **References Cited**

U.S. PATENT DOCUMENTS

D508,137 S 8/2005 Numata
D593,233 S * 5/2009 Bai D26/28

D674,938 S * 1/2013 Lai D26/28
D743,065 S * 11/2015 Weil D26/28
D787,721 S * 5/2017 Lai D26/28
D797,332 S * 9/2017 Lin D26/28
D809,682 S * 2/2018 Lin D26/28
D822,241 S * 7/2018 Lee D26/28
D824,058 S * 7/2018 Hong D26/28

* cited by examiner

Primary Examiner — Marcus A Jackson
(74) *Attorney, Agent, or Firm* — Alexander Chen, Esq.;
InHouse Co. Law Firm

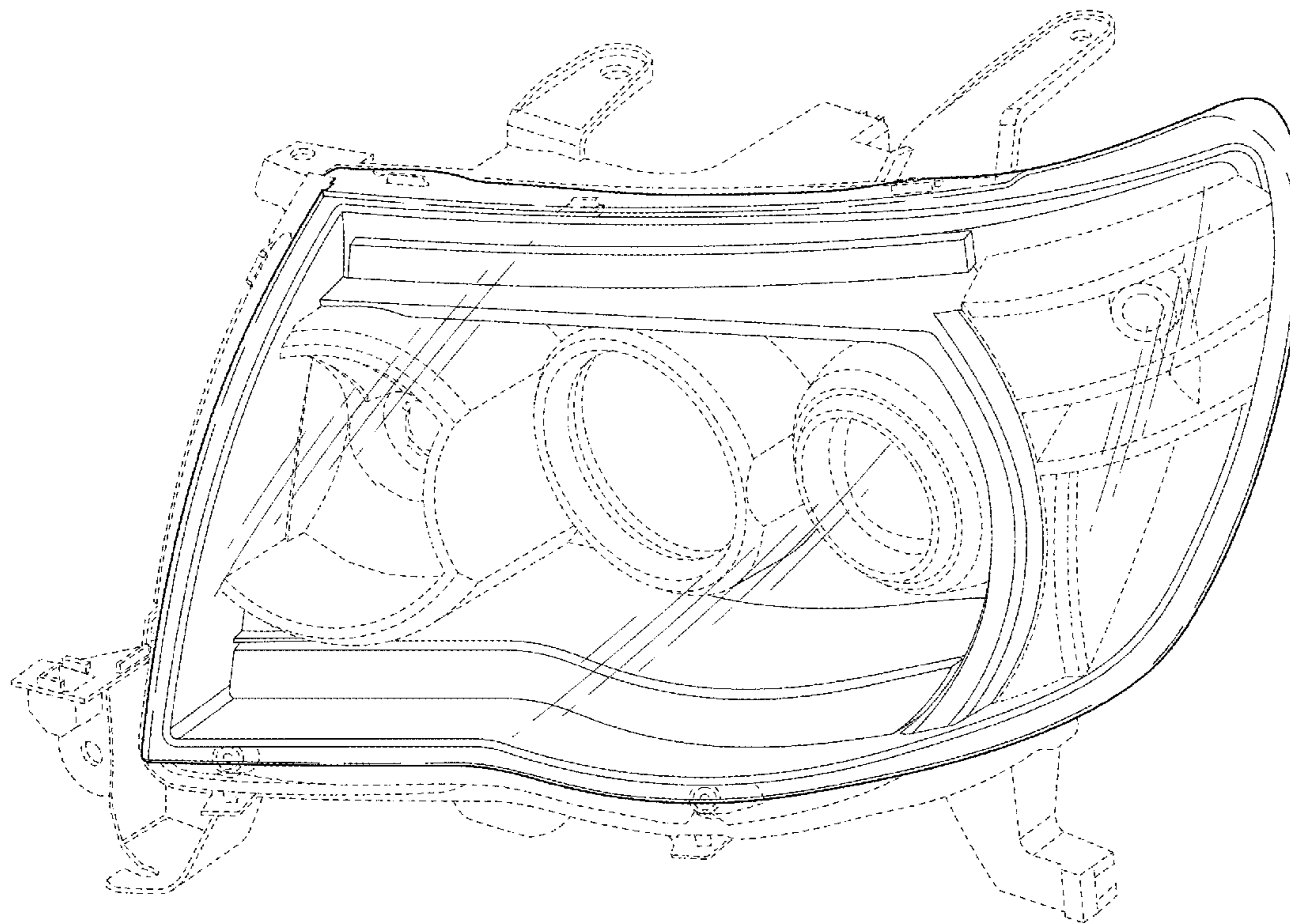
(57) **CLAIM**

The ornamental design for a vehicle headlight, as shown and described.

DESCRIPTION

FIG. 1 is a top perspective view of a vehicle headlight; FIG. 2 is a front view thereof; and, FIG. 3 is a left side view thereof. The broken lines are included to show environmental structure and form no part of the claimed design.

1 Claim, 3 Drawing Sheets



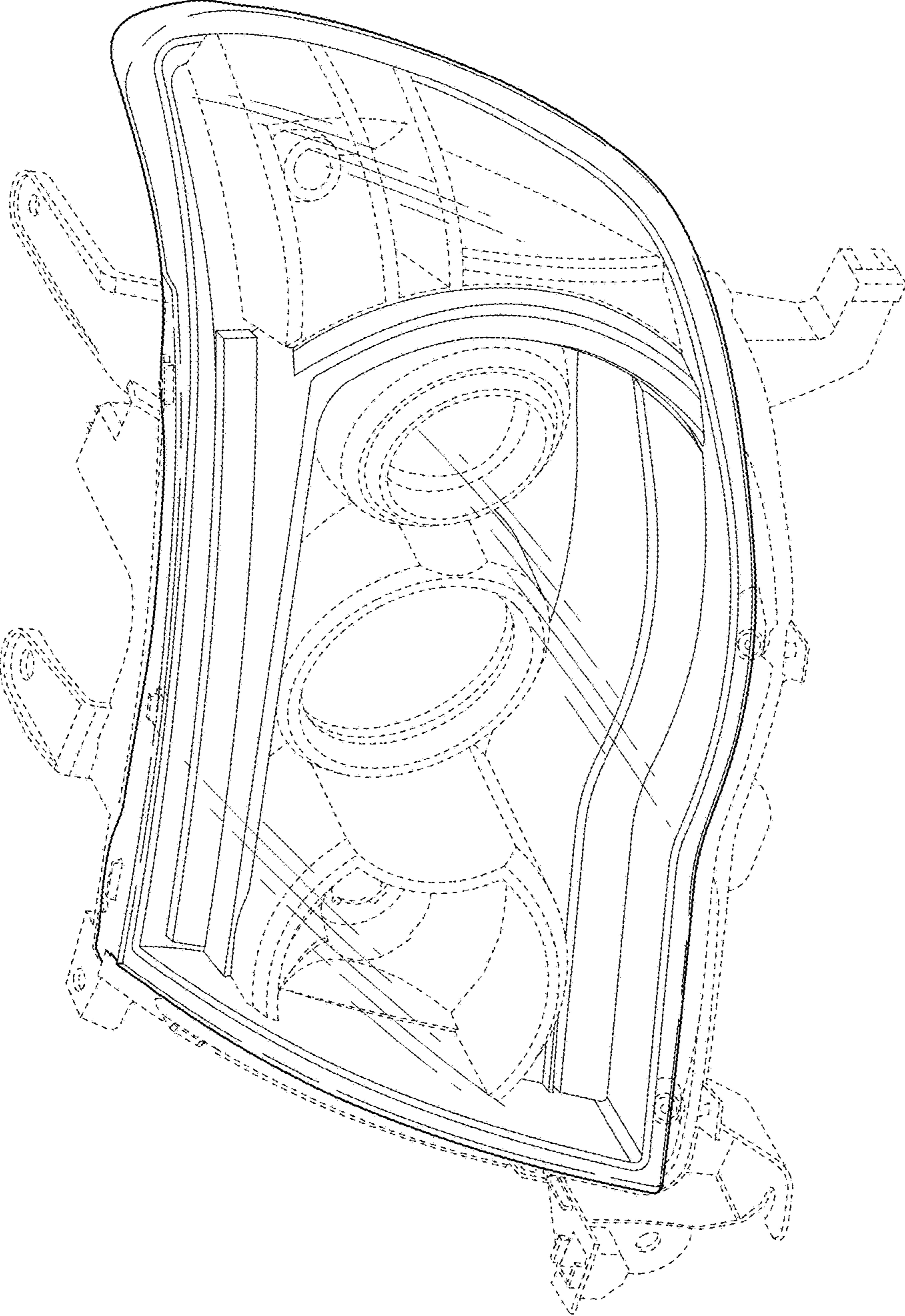


FIG. 1

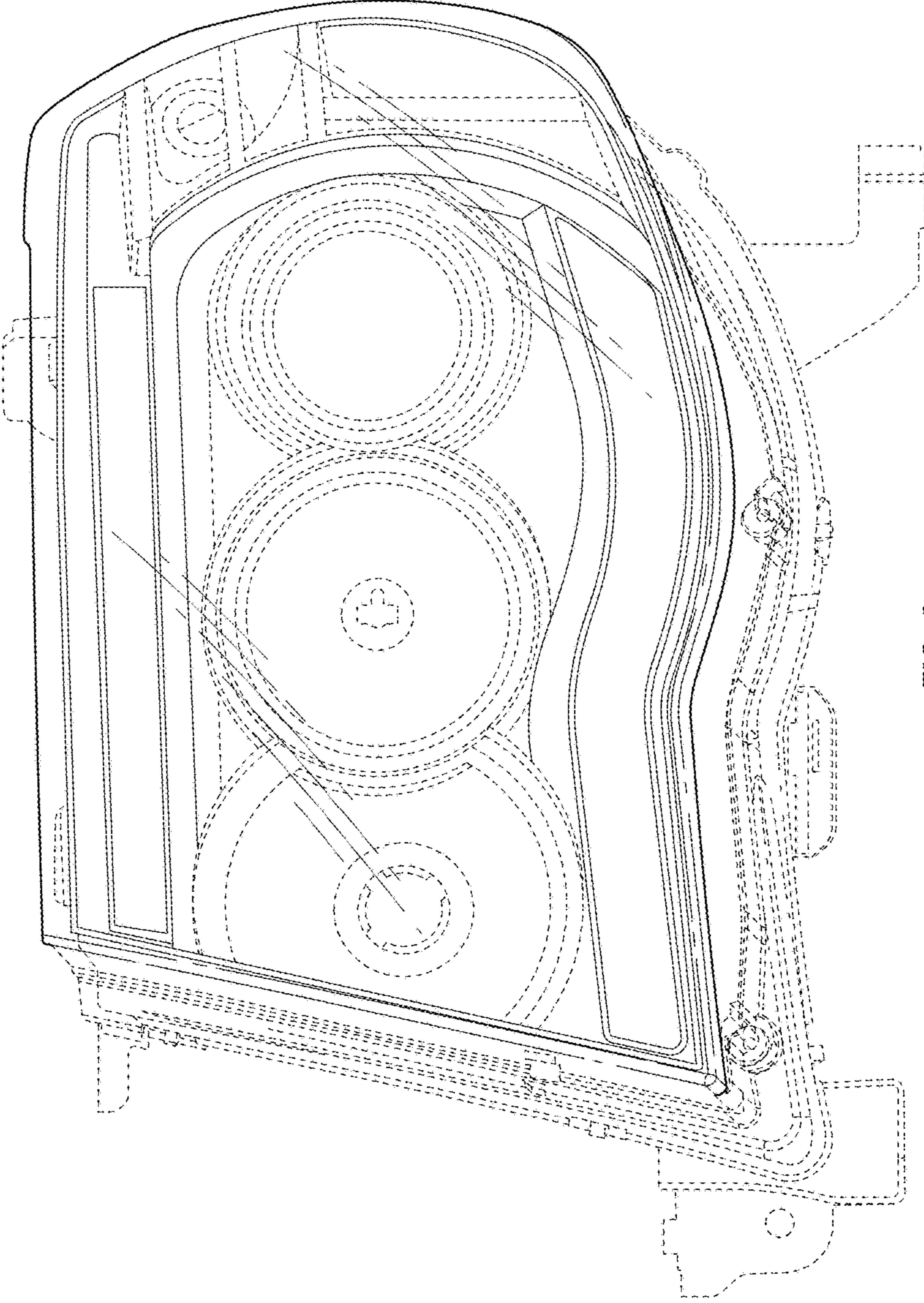


FIG. 2

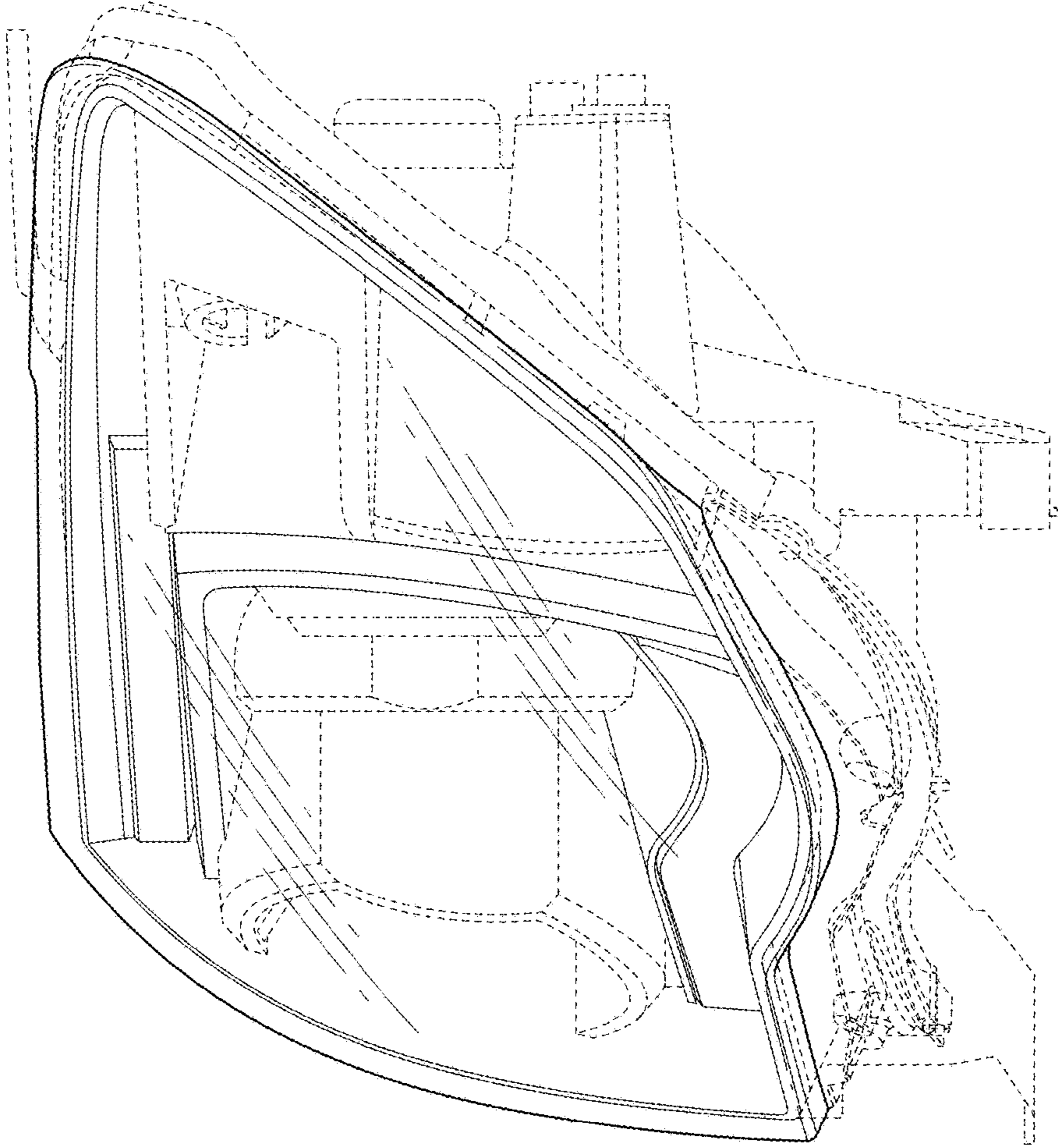


FIG. 3